



US00D956893S

(12) **United States Design Patent**
Tighe et al.

(10) **Patent No.:** **US D956,893 S**

(45) **Date of Patent:** **** Jul. 5, 2022**

(54) **SEAT ASSEMBLY FOR WEIGHTLIFTING APPARATUS**

D265,111 S 6/1982 Lynn
D269,691 S 7/1983 Ornstein et al.
D273,334 S 4/1984 Young

(Continued)

(71) Applicant: **Coulter Ventures, LLC.**, Columbus, OH (US)

FOREIGN PATENT DOCUMENTS

(72) Inventors: **Charlie Tighe**, Columbus, OH (US);
Tyler McClure, Galena, OH (US);
Ahmik Jones, Upper Arlington, OH (US)

EP 2400205 A1 12/2011
EP 3295998 A1 3/2018

(Continued)

(73) Assignee: **Coulter Ventures, LLC.**, Columbus, OH (US)

OTHER PUBLICATIONS

Rogue product advertisement dated Dec. 3, 2015 (redacted).

(Continued)

(**) Term: **15 Years**

Primary Examiner — Khawaja Anwar

Assistant Examiner — Julice Seung Eun Oum

(21) Appl. No.: **29/754,667**

(74) *Attorney, Agent, or Firm* — Banner & Witcoff, Ltd.

(22) Filed: **Oct. 13, 2020**

(57) **CLAIM**

(51) **LOC (13) Cl.** **21-02**

The ornamental design for a seat assembly for weightlifting apparatus, as shown and described.

(52) **U.S. Cl.**

DESCRIPTION

USPC **D21/694**

(58) **Field of Classification Search**

USPC D21/690, 694, 668, 676, 675

See application file for complete search history.

FIG. 1 is a top, front, left perspective view of a seat assembly for weightlifting apparatus showing our new design; FIG. 2 is a front view thereof; FIG. 3 is a rear view thereof; FIG. 4 is a left side view thereof; FIG. 5 is a right side view thereof; FIG. 6 is a top view thereof; FIG. 7 is a bottom view thereof; and, FIG. 8 is a top, front, left perspective view of the design in FIGS. 1-7 shown with example environment.

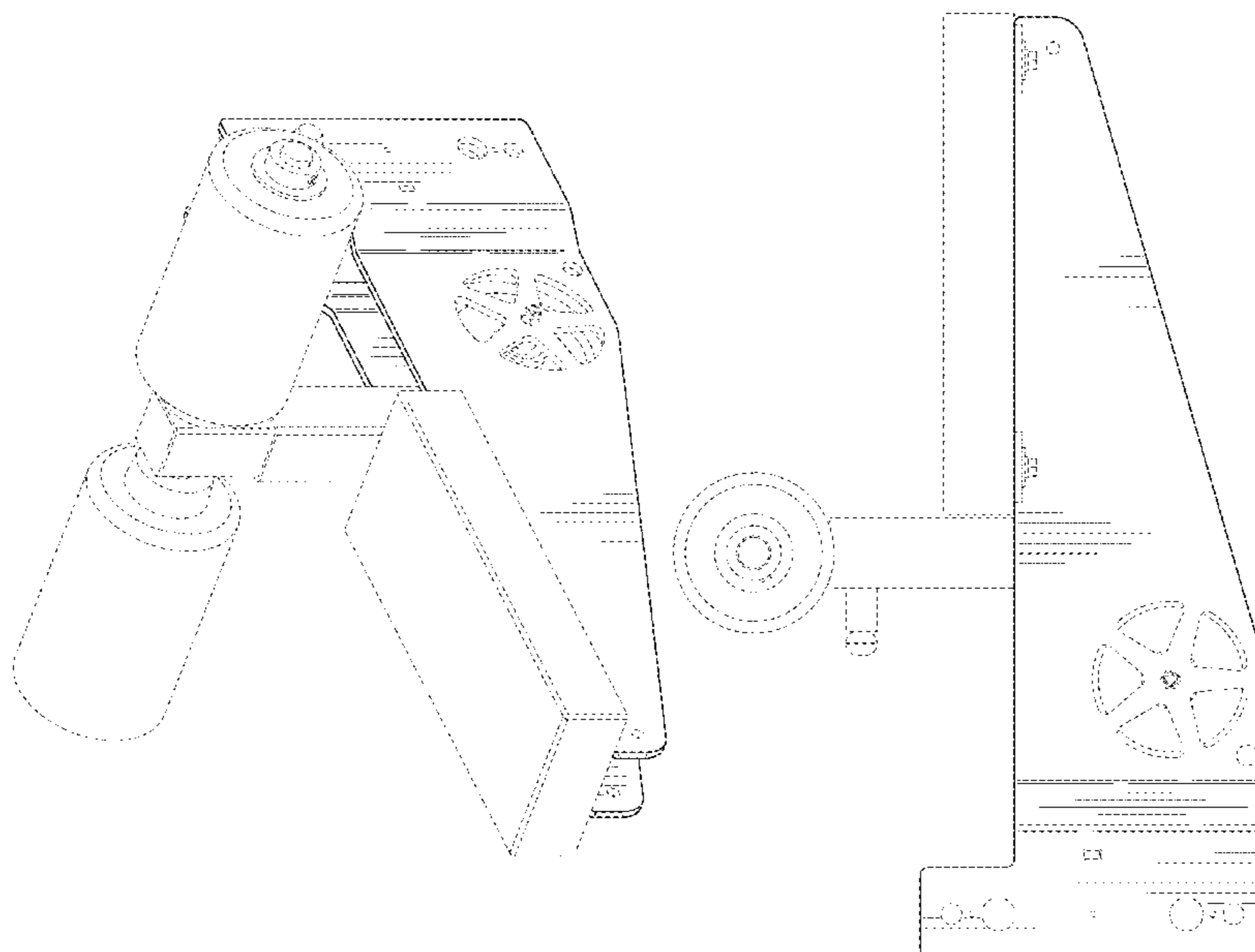
The broken lines depicting the remainder of the seat assembly for weightlifting apparatus show features that form no part of the claimed design. The broken lines depicting example environment in FIG. 8 form no part of the claimed design.

(56) **References Cited**

U.S. PATENT DOCUMENTS

88,047 A	3/1869	Lawrence
D47,725 S	8/1915	Heulings
D47,726 S	8/1915	Heulings
1,410,149 A	3/1922	Williams
2,855,200 A	10/1958	Blickman
D210,469 S	3/1968	Sejersen
3,948,513 A	4/1976	Pfotenhauer
4,111,414 A	9/1978	Roberts
D259,512 S	6/1981	Hallen
4,323,236 A	4/1982	Szabo
D264,756 S	6/1982	Andersson

1 Claim, 8 Drawing Sheets



(56)

References Cited

U.S. PATENT DOCUMENTS

D273,619 S	4/1984	Young		8,827,875 B2	9/2014	Schiano	
D273,711 S	5/1984	Young		8,876,672 B2	11/2014	Schiano	
D273,997 S	5/1984	Ryan		D718,883 S	12/2014	Thrush et al.	
D276,656 S	12/1984	Lindstrom		D718,884 S	12/2014	Thrush et al.	
D286,120 S *	10/1986	Szablak	D6/573	8,992,395 B2	3/2015	Orakwusi	
D290,033 S	5/1987	Policastro		9,011,298 B2	4/2015	Bonomi	
D297,957 S	10/1988	Gordon, III		9,011,301 B2	4/2015	Balandis et al.	
4,934,693 A	6/1990	Santoro		9,044,629 B2	6/2015	Ross	
4,961,295 A	10/1990	Kosch, Sr. et al.		D734,410 S	7/2015	Childs et al.	
5,046,722 A	9/1991	Antoon		D735,820 S	8/2015	Alenaddaf	
5,135,077 A	8/1992	Shalders		D735,821 S	8/2015	Alenaddaf	
D331,345 S *	12/1992	Carlin	D19/91	D742,540 S	11/2015	Singh	
5,184,992 A	2/1993	Banks		D742,543 S	11/2015	Singh	
D335,996 S *	6/1993	Evenson	D6/683	9,192,799 B2	11/2015	Alenaddaf	
5,273,506 A	12/1993	Dawson, Jr.		9,289,638 B2	3/2016	Towley, III et al.	
D344,601 S	2/1994	Jenkins et al.		9,308,410 B2	4/2016	Beaver et al.	
5,290,209 A	3/1994	Wilkinson		D757,531 S	5/2016	Rusher	
5,306,220 A	4/1994	Kearney		9,333,387 B2	5/2016	Hopperstad et al.	
D355,005 S	1/1995	Voothanel, Jr.		D764,607 S	8/2016	Beckford et al.	
D358,280 S *	5/1995	LaFontaine	D6/552	9,409,048 B1	8/2016	Hopperstad et al.	
D358,623 S	5/1995	Macasieb		9,427,611 B1	8/2016	Balentine	
5,669,859 A	9/1997	Liggett et al.		9,492,701 B1	11/2016	Bognatz	
D385,140 S	10/1997	Whitehead et al.		9,498,670 B1	11/2016	Hopperstad et al.	
5,776,033 A	7/1998	Brown		9,517,382 B2	12/2016	Payne	
D408,480 S	4/1999	Haugo		9,649,525 B2	5/2017	Hopperstad et al.	
6,116,550 A	9/2000	Forbes		9,675,829 B1	6/2017	Katz	
6,129,651 A	10/2000	Denaro		9,700,761 B2	7/2017	Beaver et al.	
6,220,988 B1	4/2001	Williams		D799,306 S	10/2017	Lee et al.	
D451,004 S *	11/2001	Lewis	A47B 57/44 D8/380	D801,547 S	10/2017	Lopez	
D484,617 S	12/2003	Micheals		D802,164 S	11/2017	Lopez	
D486,020 S	2/2004	Hoernig		9,844,691 B2	12/2017	Hopperstad et al.	
D486,337 S	2/2004	Hoernig		9,868,006 B1	1/2018	Epler	
D507,352 S	7/2005	Vanderbrugghen		D816,173 S	4/2018	Jackson	
D512,113 S	11/2005	Carter		D817,520 S	5/2018	Gonzales	
D514,857 S	2/2006	Hoernig		9,993,678 B2	6/2018	Hopperstad et al.	
D517,085 S	3/2006	Deuschle		10,004,933 B2	6/2018	Lennox et al.	
D523,322 S	6/2006	Thurston et al.		10,086,226 B2	10/2018	Nelson et al.	
D525,668 S	7/2006	Payne		D836,617 S	12/2018	Shu	
D554,209 S	10/2007	Loucks		10,226,661 B2	3/2019	Henniger et al.	
7,316,379 B1	1/2008	Graham		D852,907 S	7/2019	Sergakis	
7,374,516 B2	5/2008	Lundquist		D853,587 S	7/2019	Jackson et al.	
7,523,907 B2	4/2009	Chen		D853,588 S	7/2019	Jackson et al.	
D593,169 S	5/2009	Storch		D853,589 S	7/2019	Jackson et al.	
7,534,200 B1	5/2009	Martinez		D854,635 S	7/2019	Dunahay	
7,549,950 B1	6/2009	Lundquist et al.		D857,241 S	8/2019	Sakamoto et al.	
D596,761 S	7/2009	Beland		10,471,293 B2	11/2019	George	
D609,081 S *	2/2010	Gulley	D8/380	D869,688 S	12/2019	Lanzafame	
D613,883 S	4/2010	Staten et al.		D879,216 S	3/2020	Dunahay	
7,892,158 B2	2/2011	Varga		D879,217 S	3/2020	Dunahay	
D635,206 S	3/2011	Henniger		10,576,322 B2	3/2020	Schlegel	
D636,038 S	4/2011	Henniger		D883,405 S	5/2020	Dunahay	
D636,039 S	4/2011	Henniger		10,646,740 B2	5/2020	Lee	
D636,040 S	4/2011	Henniger		D886,214 S *	6/2020	Jones	D21/679
D639,585 S	6/2011	Shen et al.		D886,920 S	6/2020	Dunahay	
D639,586 S	6/2011	Selinger et al.		D888,851 S	6/2020	Dunahay	
D639,587 S	6/2011	Selinger et al.		D890,271 S *	7/2020	Carmichael	D21/686
7,981,010 B1	7/2011	Webber et al.		10,709,921 B2	7/2020	Risacher	
8,047,972 B1	11/2011	Dean et al.		D893,639 S	8/2020	Henniger et al.	
8,057,368 B1	11/2011	Lyszczarz		D908,824 S *	1/2021	Adams	D21/694
8,079,915 B2	12/2011	Spencer et al.		D909,502 S *	2/2021	Adams	D21/694
8,083,191 B2	12/2011	Lai et al.		2001/0034289 A1	10/2001	Parrillo	
8,096,926 B1	1/2012	Batca		2002/0082145 A1	6/2002	Hamilton	
D659,854 S	5/2012	Kligman		2002/0123415 A1	9/2002	Marques	
D660,984 S	5/2012	Kotin et al.		2003/0222041 A1	12/2003	Hong et al.	
D661,412 S	6/2012	Kligman		2004/0018920 A1	1/2004	Simonson	
8,206,270 B2	6/2012	Skipper		2005/0130806 A1	6/2005	Lopez	
8,206,273 B2	6/2012	Skipper		2005/0250619 A1	11/2005	Daikeler et al.	
8,323,158 B2	12/2012	Keiser		2006/0003875 A1	1/2006	Sharps	
8,328,698 B1	12/2012	Webber et al.		2006/0065800 A1	3/2006	Bremmon	
D682,955 S	5/2013	Stephan		2006/0145038 A1	7/2006	Chen	
8,500,608 B1	8/2013	Bonomi		2007/0037674 A1	2/2007	Finn et al.	
8,517,900 B1	8/2013	Britt		2007/0072750 A1	3/2007	Andrews	
D703,773 S	4/2014	Henry		2007/0093365 A1	4/2007	Batca	
D711,021 S	8/2014	Singh		2007/0203002 A1	8/2007	Webber	
				2009/0105052 A1	4/2009	Dalebout et al.	
				2009/0124471 A1	5/2009	Storch	
				2010/0044536 A1	2/2010	Huang	
				2010/0048368 A1	2/2010	Donofrio	
				2010/0171017 A1	7/2010	Chang	

(56)

References Cited

U.S. PATENT DOCUMENTS

2011/0245040 A1 10/2011 Skipper
 2011/0248128 A1 10/2011 Oh
 2012/0046150 A1 2/2012 Stacey
 2012/0094812 A1 4/2012 Smiley
 2012/0115683 A1 5/2012 Ross
 2012/0329614 A1 12/2012 Schiano
 2013/0178338 A1 7/2013 Ross
 2013/0184124 A1 7/2013 Reed
 2013/0237394 A1 9/2013 Fowler
 2013/0260970 A1 10/2013 Moskowich
 2013/0296143 A1 11/2013 Staten et al.
 2014/0087928 A1 3/2014 Luedeka
 2014/0094347 A1 4/2014 Orakwusi
 2014/0166834 A1 6/2014 Kuroyanagi et al.
 2014/0221163 A1 8/2014 McBride et al.
 2014/0256517 A1 9/2014 Poppinga
 2014/0302968 A1 10/2014 Velikin et al.
 2014/0371040 A1 12/2014 Vasquez et al.
 2015/0016919 A1 1/2015 Tambornino et al.
 2015/0059257 A1 3/2015 Beaver et al.
 2015/0065316 A1 3/2015 Towley, III et al.
 2015/0069257 A1 3/2015 Besson
 2015/0076092 A1 3/2015 Tambornino et al.
 2015/0126335 A1 5/2015 Gilson et al.
 2015/0148197 A1 5/2015 Lentz et al.
 2015/0202485 A1 7/2015 Towley, III et al.
 2015/0264823 A1 9/2015 Shirley et al.
 2015/0290488 A1 10/2015 Hopperstad et al.
 2015/0352395 A1 12/2015 Gregory
 2016/0023035 A1 1/2016 Meyer
 2016/0250515 A1 9/2016 Hopperstad et al.
 2016/0338512 A1 11/2016 Royak
 2016/0339291 A1 11/2016 Hopperstad et al.
 2017/0065844 A1 3/2017 Hopperstad et al.
 2017/0072260 A1 3/2017 Jackson
 2017/0150786 A1 6/2017 Ness et al.
 2017/0189736 A1 7/2017 Martin
 2017/0209733 A1 7/2017 Beaver et al.
 2017/0239512 A1 8/2017 Brasch et al.
 2017/0246490 A1 8/2017 Hopperstad et al.
 2017/0246496 A1 8/2017 Nelson et al.
 2017/0259101 A1 9/2017 Im
 2018/0028852 A1 2/2018 Beaver et al.
 2018/0036573 A1 2/2018 Lennox et al.
 2018/0056108 A1 3/2018 Kelly
 2018/0056116 A1 3/2018 Le Nguyen
 2018/0104522 A1 4/2018 Hopperstad et al.
 2018/0117382 A1 5/2018 Johanson et al.
 2018/0140922 A1 5/2018 Greer
 2018/0142832 A1 5/2018 Inouye
 2018/0153305 A1 6/2018 Haines

2018/0154234 A1 6/2018 Pack et al.
 2018/0178051 A1 6/2018 Shaw, Jr.
 2018/0185694 A1 7/2018 Schween
 2018/0243597 A1 8/2018 Schlegel
 2018/0318635 A1 11/2018 Lee
 2018/0326250 A1 11/2018 Henniger et al.
 2019/0012608 A1 1/2019 Teixeira
 2019/0046835 A1 2/2019 Henniger et al.
 2019/0126088 A1 5/2019 Henniger et al.
 2019/0240521 A1 8/2019 Staten
 2019/0269992 A1 9/2019 Dunahay
 2020/0011419 A1 1/2020 Delong

FOREIGN PATENT DOCUMENTS

WO 2008054720 A2 5/2008
 WO 2009003280 A1 1/2009
 WO 201893699 A1 5/2018

OTHER PUBLICATIONS

Rogue fitness product video screenshots from <<https://www.youtube.com/watch?v=TRpmZ68p5Hw>>, dated Sep. 19, 2017.
 Gorila Fitness product advertisement dated Apr. 16, 2018 (redacted).
 Bulldog Gear product advertisement dated Jan. 11, 2018.
 Pure Strength product listing dated Sep. 6, 2018 from <<https://www.pure-strength.com/collections/slim-gym-utility-plate>>.
 Titan Fitness product listing dated Sep. 6, 2018 from <<https://www.titan.fitness/t-3-folding-power-rack-stringers.html>>.
 Titan Fitness product listing dated Sep. 6, 2018 from <<https://www.titan.fitness/41-inch-deep-folding-wall-mount-rack.html>>(product known to be available as of Mar. 2, 2016).
 Product listing for Rogue V2 Face Mount Pull-up Bar for Monster Lite from <https://web.archive.org/web/20161105161238/https://www.roguefitness.com/rogue-v2-face-mount-pull-up-bar-for-monster-lite>, dated Nov. 5, 2016.
 Jan. 11, 2019—(WO) ISR and WO—App No. PCT/US2018/059018.
 Oct. 6, 2020—(AU) Examination Report—App 2018360038.
 Rogue P-3 Pull-Up System; <https://web.archive.org/web/20160901091143/http://www.roguefitness.com/p3-pullup-system>; 5 pages downloaded Dec. 7, 2020.
 Rogue P-5V Garage Pull-Up System; <https://web.archive.org/web/20160812065929/http://www.roguefitness.com:80/rogue-p-5v-garage-pullup-system>; 13 pages downloaded Dec. 7, 2020.
 Product listing for Rogue Monster Lat Pulldown/Low Row (Rack Mounted) <<http://web.archive.org/web/20190828224237/https://www.roguefitness.com/lat-pulldown-low-row-rackmounted>>, dated Aug. 28, 2019.

* cited by examiner

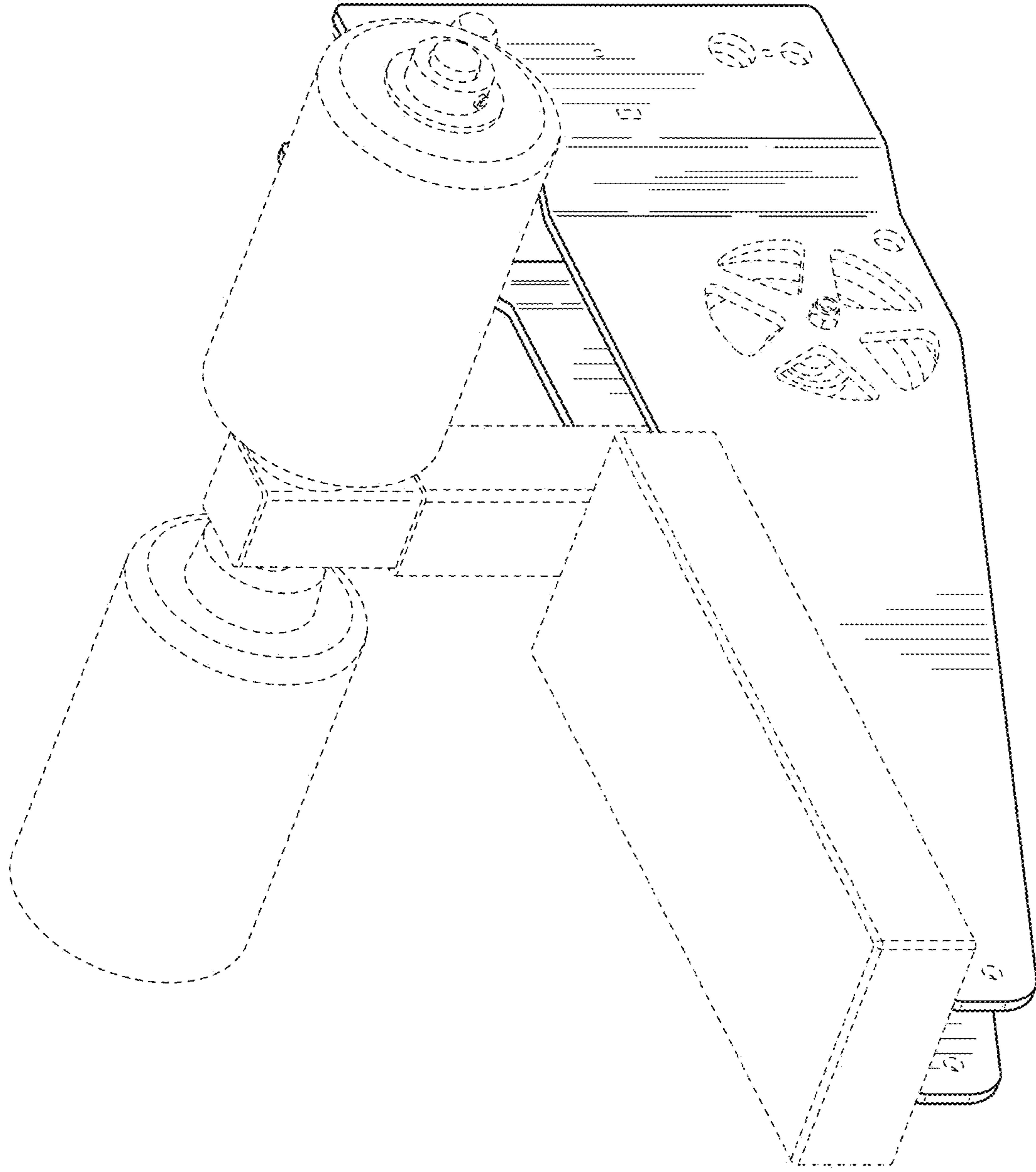


FIG. 1

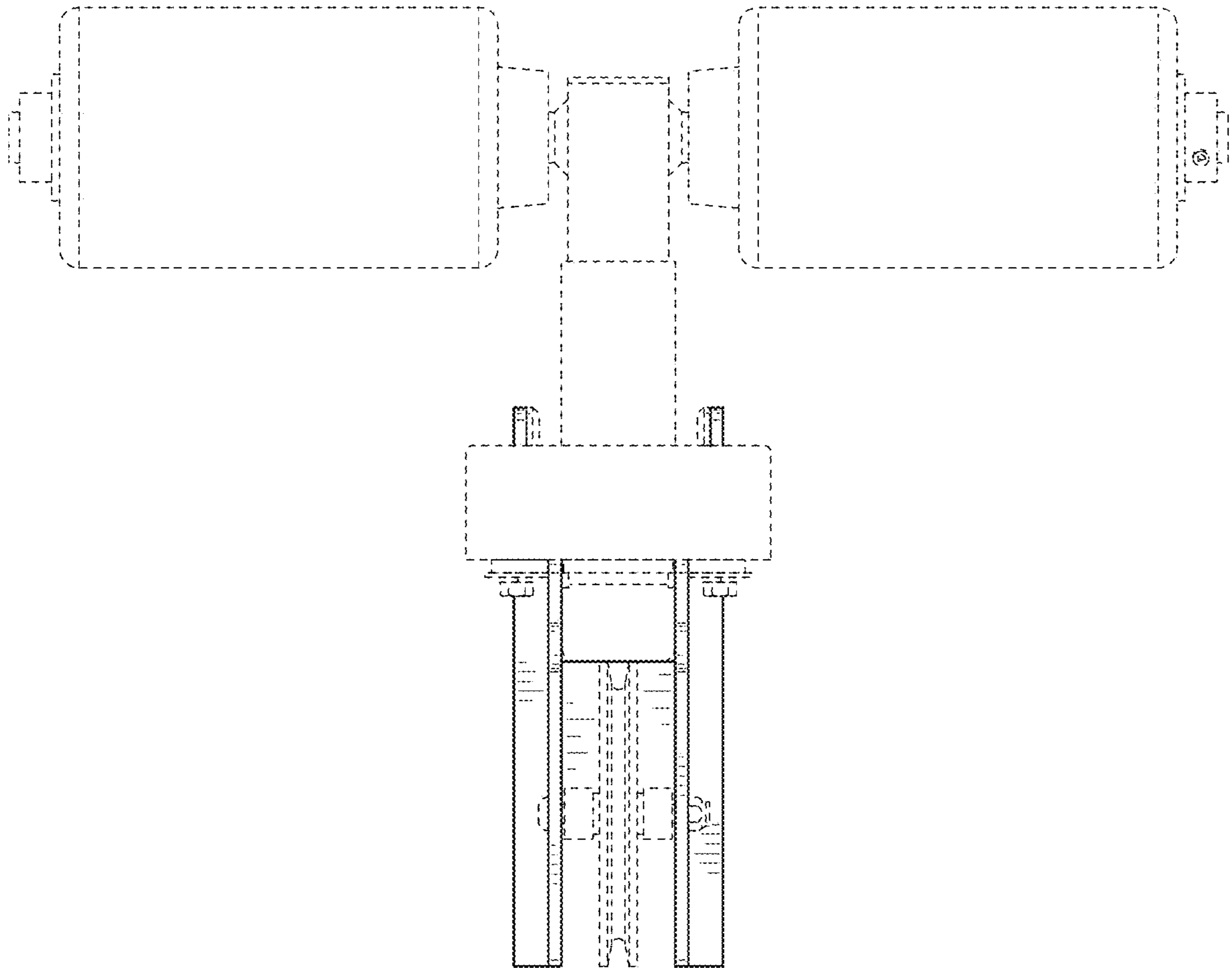


FIG. 2

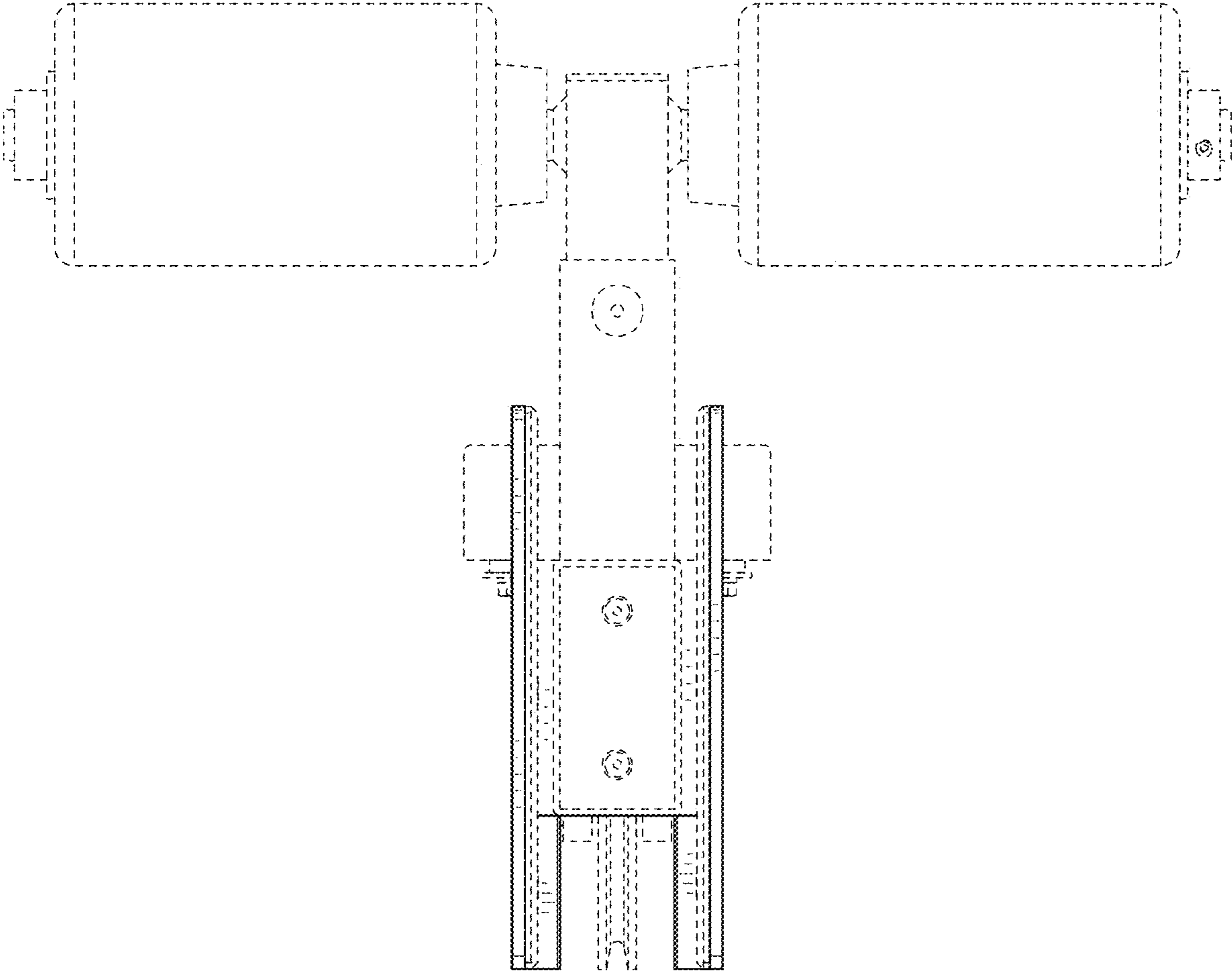


FIG. 3

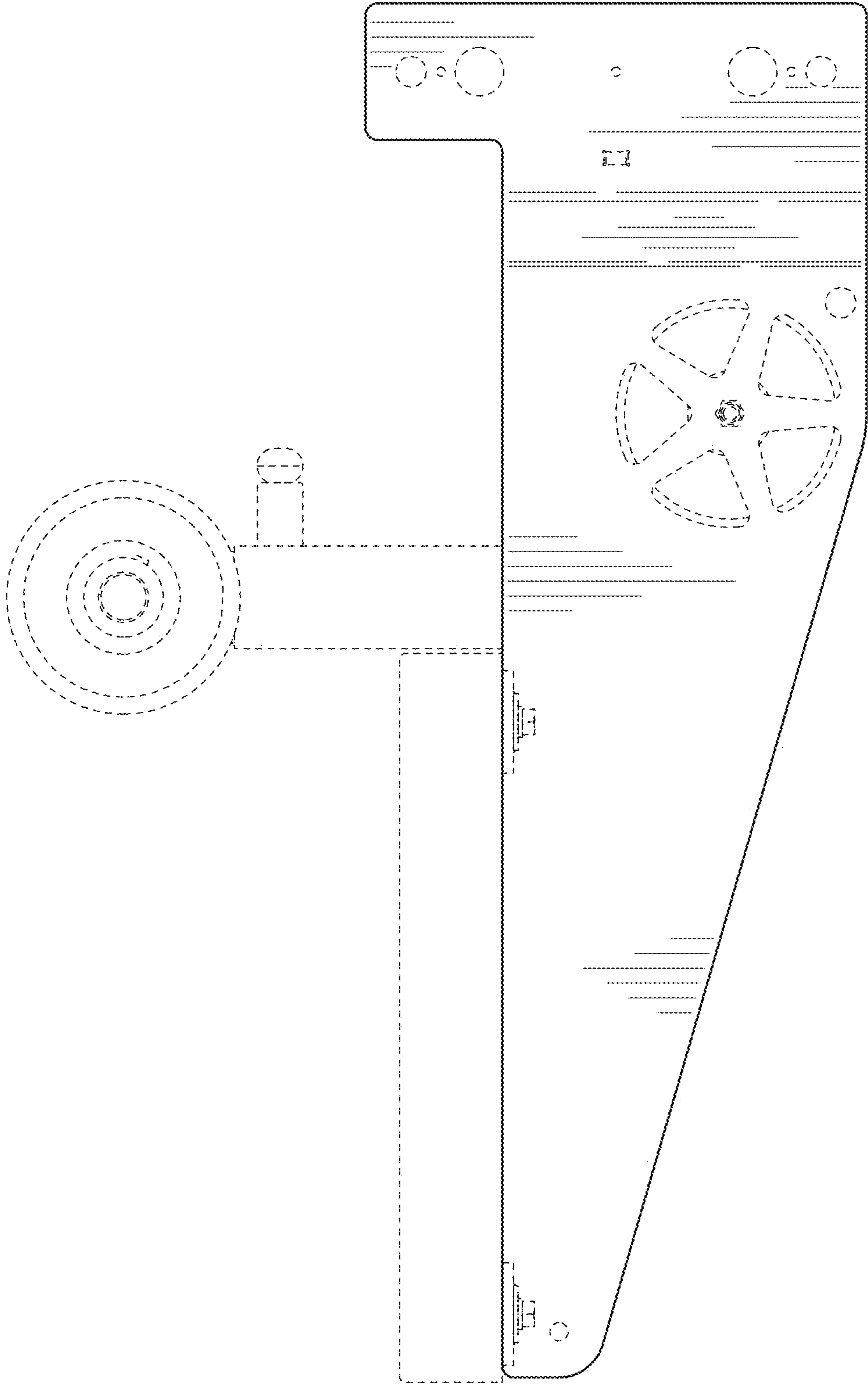


FIG. 4

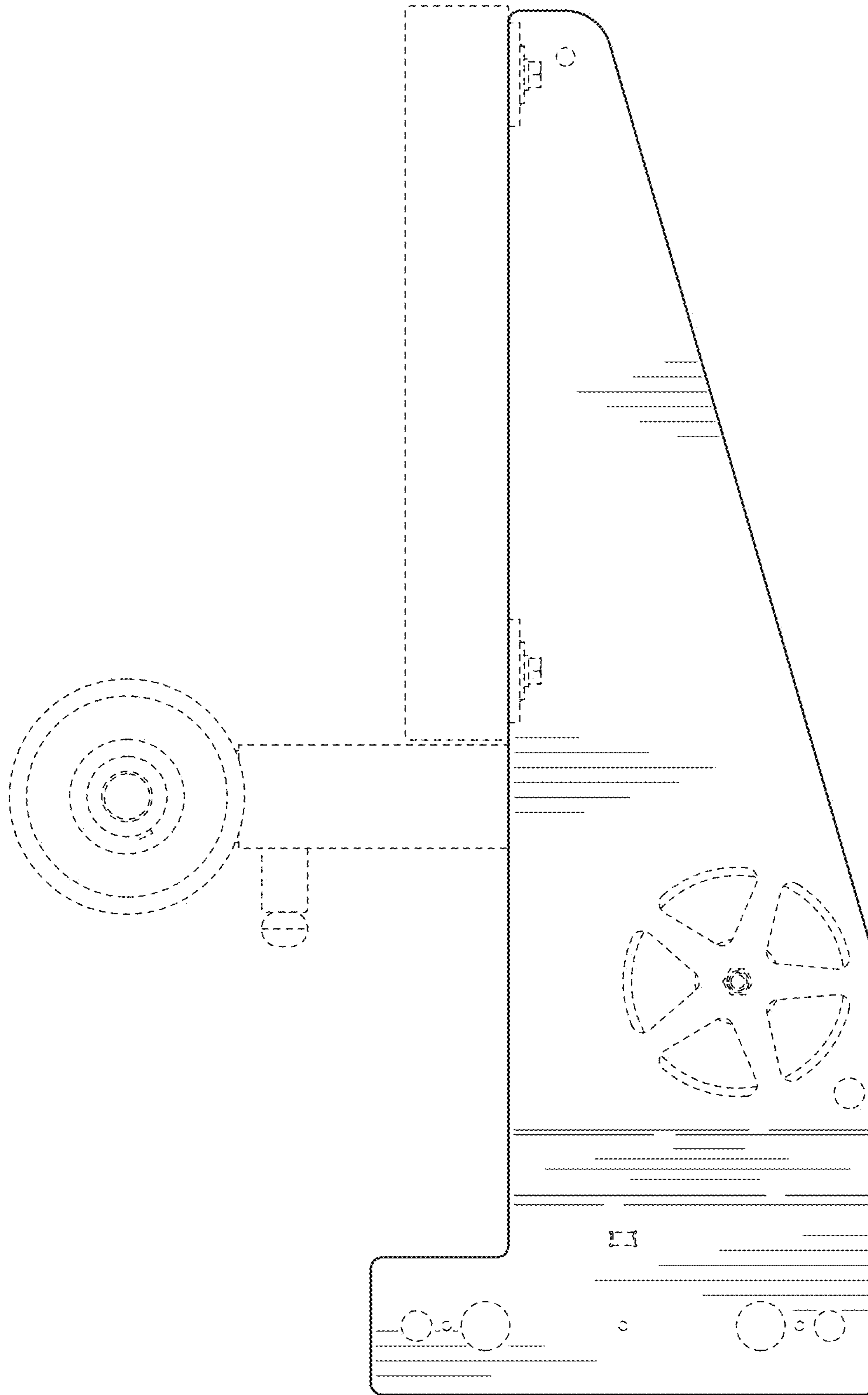


FIG. 5

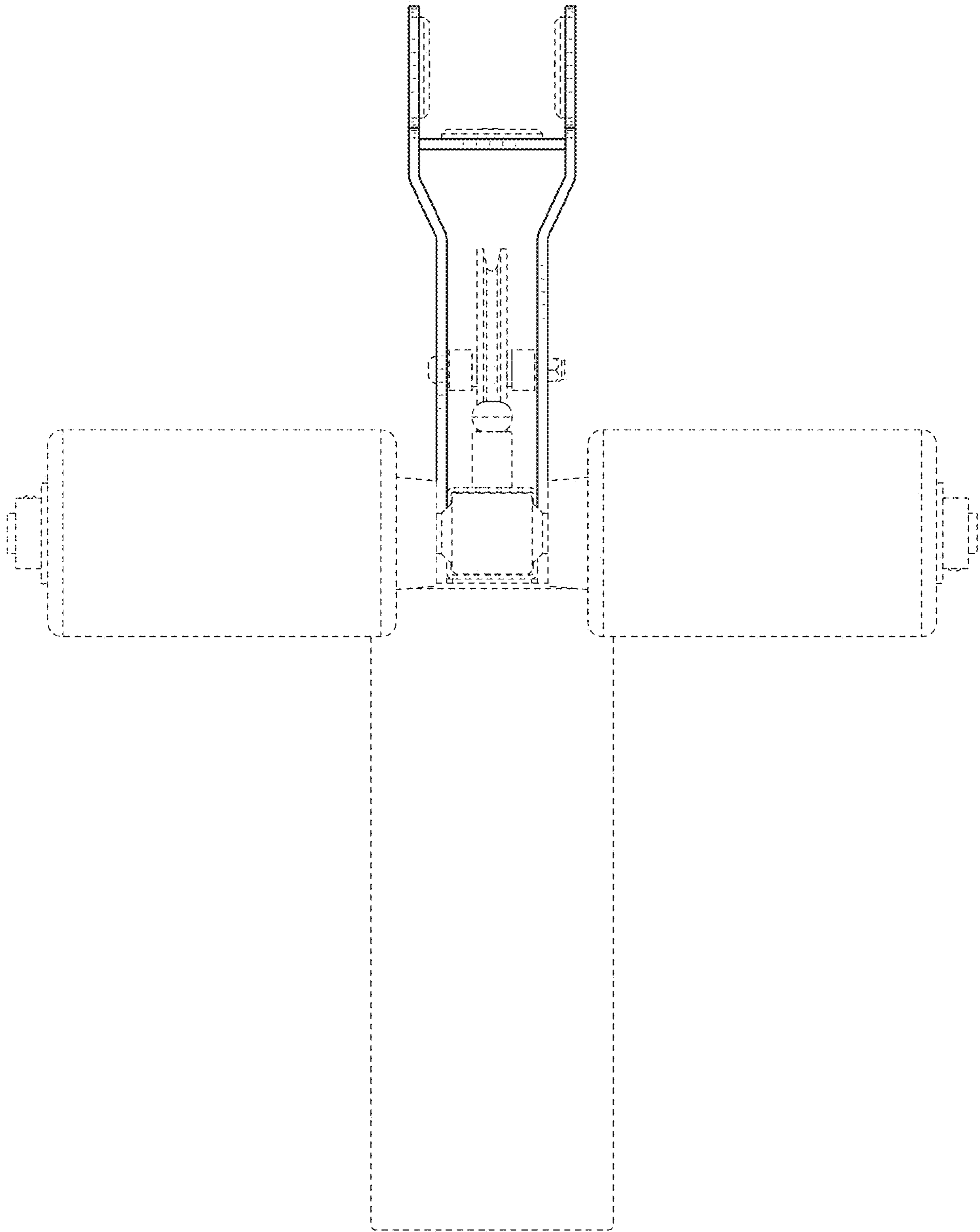


FIG. 6

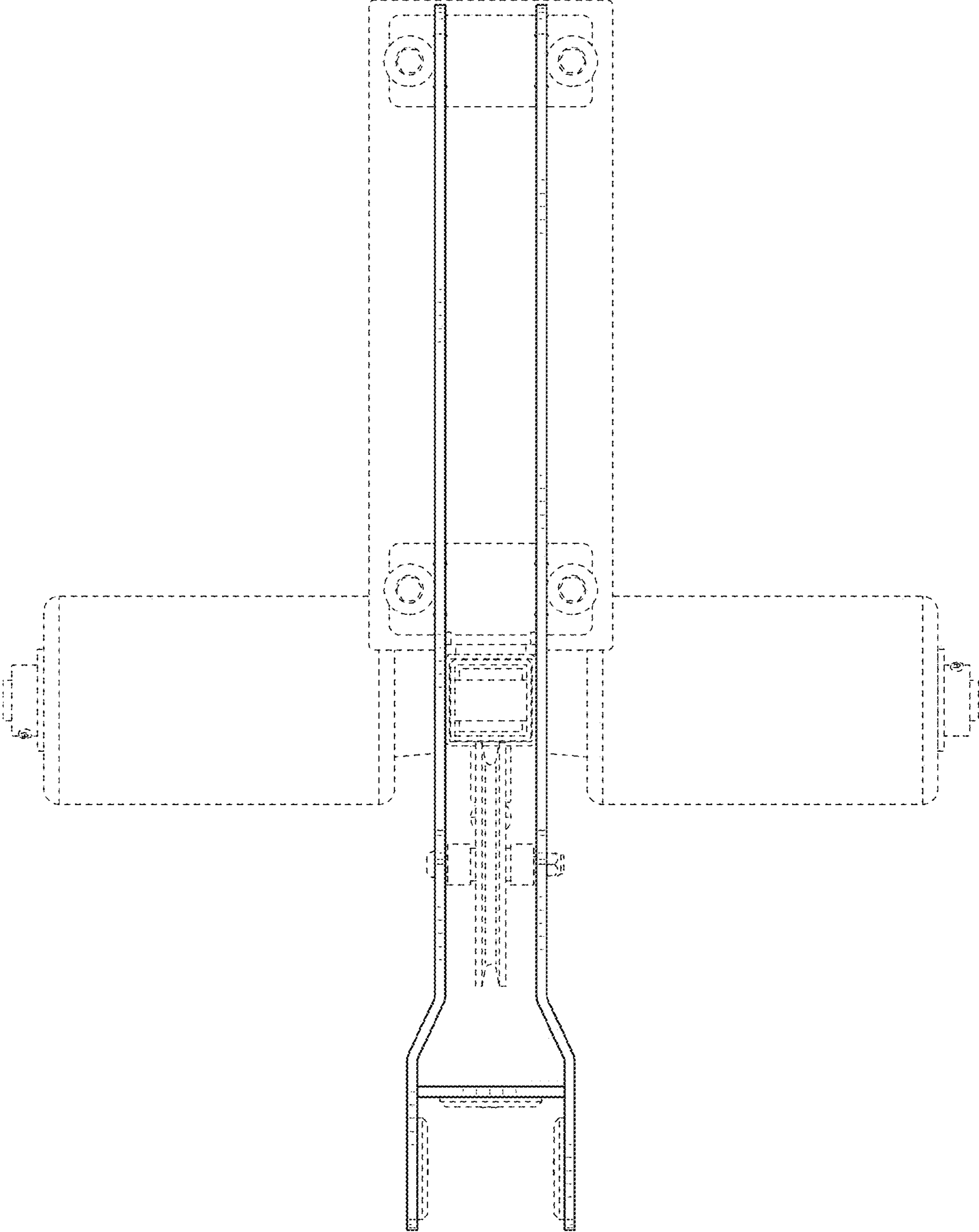


FIG. 7

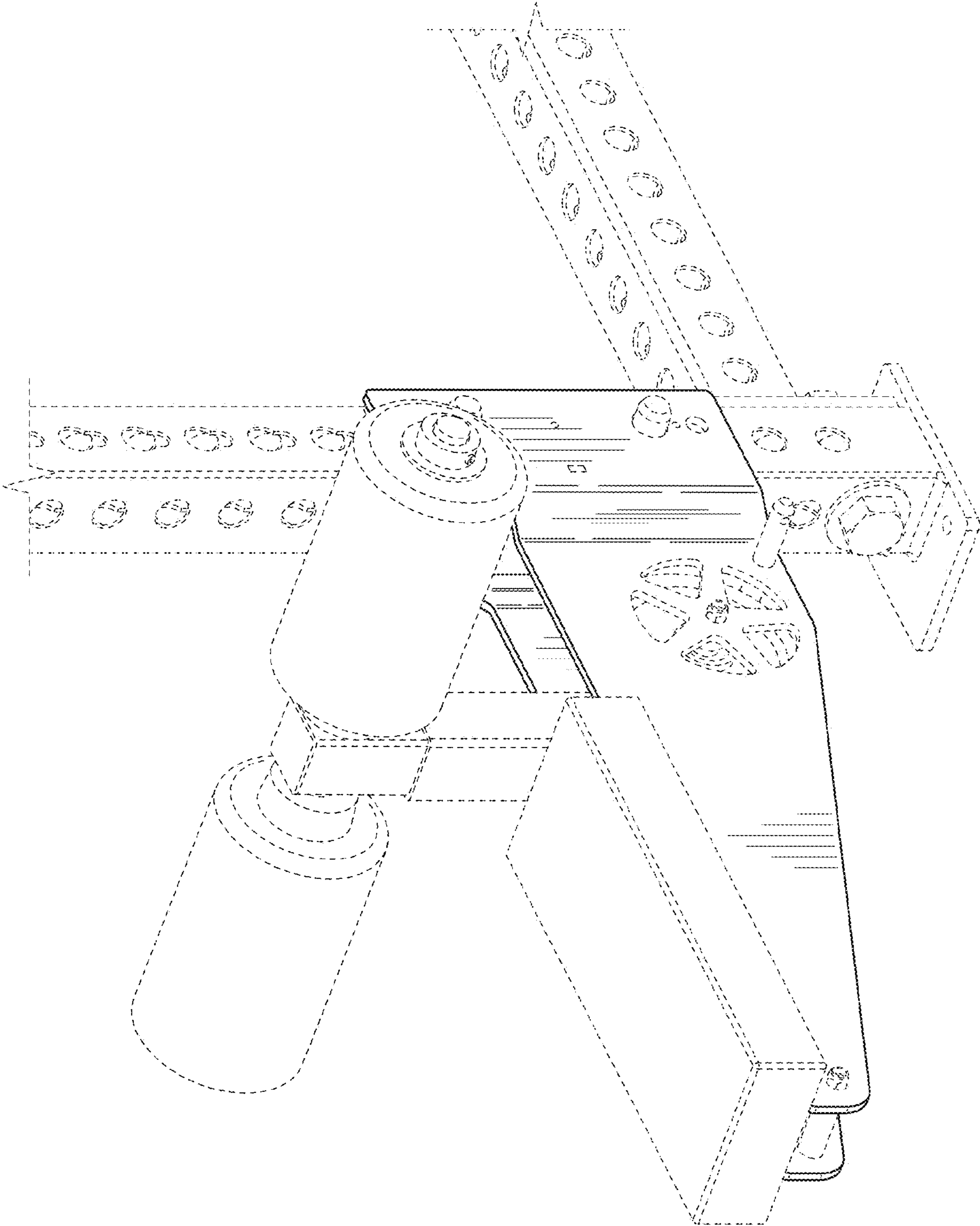


FIG. 8