



US00D956890S

(12) **United States Design Patent**
Scott

(10) **Patent No.:** **US D956,890 S**

(45) **Date of Patent:** **** Jul. 5, 2022**

(54) **WEIGHTLIFTING ASSEMBLY**

5,106,083 A * 4/1992 Hall A63B 23/0233
482/141

(71) Applicant: **Coulter Ventures, LLC.**, Columbus,
OH (US)

D336,498 S * 6/1993 Engel D21/690
5,217,487 A * 6/1993 Engel A61H 1/0292
5/624

(72) Inventor: **Austin Scott**, Westerville, OH (US)

5,669,860 A * 9/1997 Reyes A63B 23/0211
482/145

(73) Assignee: **Coulter Ventures, LLC.**, Columbus,
OH (US)

(Continued)

(**) Term: **15 Years**

(21) Appl. No.: **29/690,199**

(22) Filed: **May 6, 2019**

(51) **LOC (13) Cl.** **21-02**

(52) **U.S. Cl.**
USPC **D21/686**

(58) **Field of Classification Search**
USPC D21/662, 673, 674, 675, 676, 686, 687,
D21/690, 694; 482/144, 142, 97, 42, 99,
482/145, 140

CPC A63B 23/0233; A63B 23/0211; A63B
21/00047; A63B 2208/0257; A63B
23/0482; A63B 21/4035; A63B 21/4047;
A63B 2225/09; A63B 2023/006; A61H
1/0292; A61H 1/0218; A61H 2203/0493

See application file for complete search history.

(56) **References Cited**

U.S. PATENT DOCUMENTS

- 3,567,218 A * 3/1971 Johnson A63B 23/0233
482/145
- 4,346,887 A * 8/1982 Poole A63B 21/4047
482/97
- 4,398,713 A * 8/1983 Ellis A63B 21/4015
482/145
- 4,923,195 A * 5/1990 Calderone A63B 23/1281
482/97
- D320,824 S * 10/1991 Cordon D21/690
- 5,094,445 A * 3/1992 Winkelvoss A61H 1/0229
482/142

OTHER PUBLICATIONS

Product listing for Rogue Z Hyper, from <<https://web.archive.org/web/20170704082920/https://www.roguefitness.com/rogue-z-hyper>>, dated Jul. 4, 2017.

(Continued)

Primary Examiner — Ryan Harvey

(74) *Attorney, Agent, or Firm* — Banner & Witcoff, Ltd.

(57) **CLAIM**

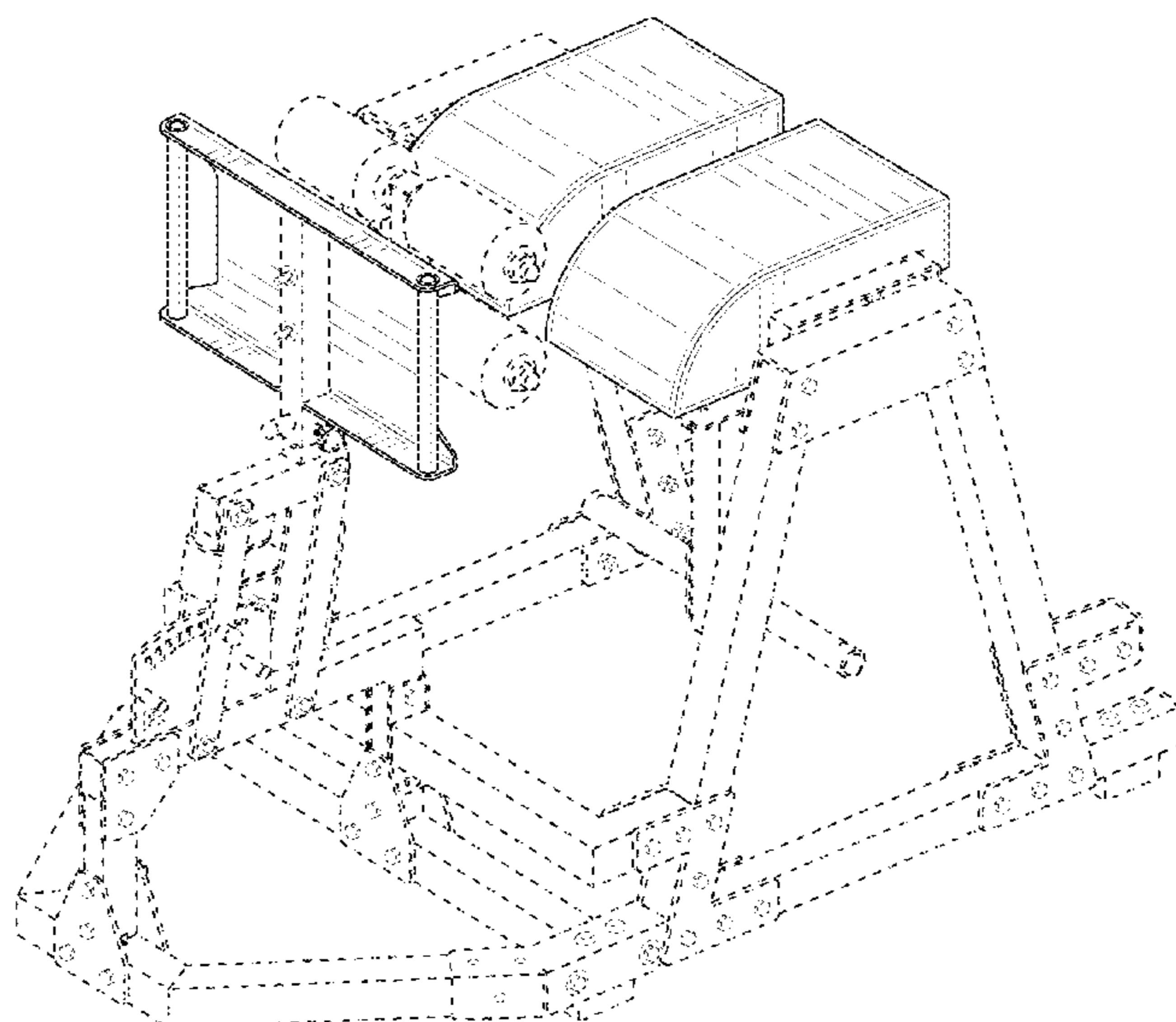
The ornamental design for a weightlifting assembly, as shown and described.

DESCRIPTION

FIG. 1 is a top, front, right perspective view of a weightlifting assembly showing my new design;
FIG. 2 is a bottom, rear, right perspective view thereof;
FIG. 3 is a top angled view thereof;
FIG. 4 is a rear view thereof;
FIG. 5 is a front view thereof;
FIG. 6 is a right side view thereof;
FIG. 7 is a left side view thereof;
FIG. 8 is a top view thereof; and,
FIG. 9 is a bottom view thereof.

The broken lines immediately adjacent to the shaded area define the bounds of the claimed design and form no part thereof. The broken lines depicting the remainder of the weightlifting assembly show features that form no part of the claimed design.

1 Claim, 9 Drawing Sheets



(56)

References Cited

U.S. PATENT DOCUMENTS

5,935,050 A * 8/1999 Shahan A63B 21/4015
482/145
6,692,418 B2 * 2/2004 Shahan A63B 23/0233
482/148
7,087,005 B2 * 8/2006 Rouillard A63B 23/0233
482/142
D541,893 S * 5/2007 Webber D21/690
8,052,586 B2 * 11/2011 Hahn A63B 17/00
482/142
9,375,599 B1 * 6/2016 Simmons A63B 21/00181
9,630,055 B2 * 4/2017 Runyan A63B 21/00047
9,669,255 B2 * 6/2017 Henniger A63B 21/00047
9,782,622 B2 * 10/2017 Hornback A63B 21/068
D879,218 S * 3/2020 Jones D21/686
D879,890 S * 3/2020 Jones D21/686
D911,463 S * 2/2021 Roseberry D21/686
2004/0209745 A1 * 10/2004 Riney A63B 23/1263
482/97
2007/0087923 A1 * 4/2007 Lamarque A63B 23/0211
482/142
2008/0200319 A1 * 8/2008 Fong A63B 23/0211
482/144
2009/0264265 A1 * 10/2009 Contreras A63B 21/4009
482/99
2012/0058870 A1 * 3/2012 Contreras A63B 23/0482
482/142
2015/0011370 A1 1/2015 Henniger
2020/0129806 A1 * 4/2020 Simmons A63B 21/00076

OTHER PUBLICATIONS

Product listing for Rogue RH-2 Reverse Hyper, from <<https://web.archive.org/web/20170702151509/http://www.roguefitness.com/rogue-reverse-hyper-2>>, dated Jul. 2, 2017.
Product listing for Rogue Abram GHD 2.0, from <<https://web.archive.org/web/20190331165036/https://www.roguefitness.com/rogue-abram-glute-ham-developer-2-0>>, dated Mar. 31, 2019.
Product listing for Rogue 3x3 Echo GHD, from <<https://web.archive.org/web/20170621014558/https://www.roguefitness.com/rogue-echo-ghd>>, dated Jun. 21, 2017.
Product listing for Rogue GH-1 GHD, from <<https://web.archive.org/web/20170720055147/https://www.roguefitness.com/rogue-gh-1-ghd>>, dated Jul. 20, 2017.
Product listing for Rogue Monster Swing Arm GHD, from <<https://web.archive.org/web/20170616132652/https://www.roguefitness.com/rogue-monster-swing-arm-ghd>>, dated Jun. 16, 2017.
Product listing for Rogue GH-1 Abram GHD, from <<https://web.archive.org/web/20140616025202/http://www.roguefitness.com/rogue-abram-ghd-v1>>, dated Jun. 16, 2014.
Product listing for York St Glute-Ham Developer (GHD), from <<https://web.archive.org/web/20170622213945/https://www.roguefitness.com/york-st-glute-ham-developer-ghd>>, dated Jun. 22, 2017.

* cited by examiner

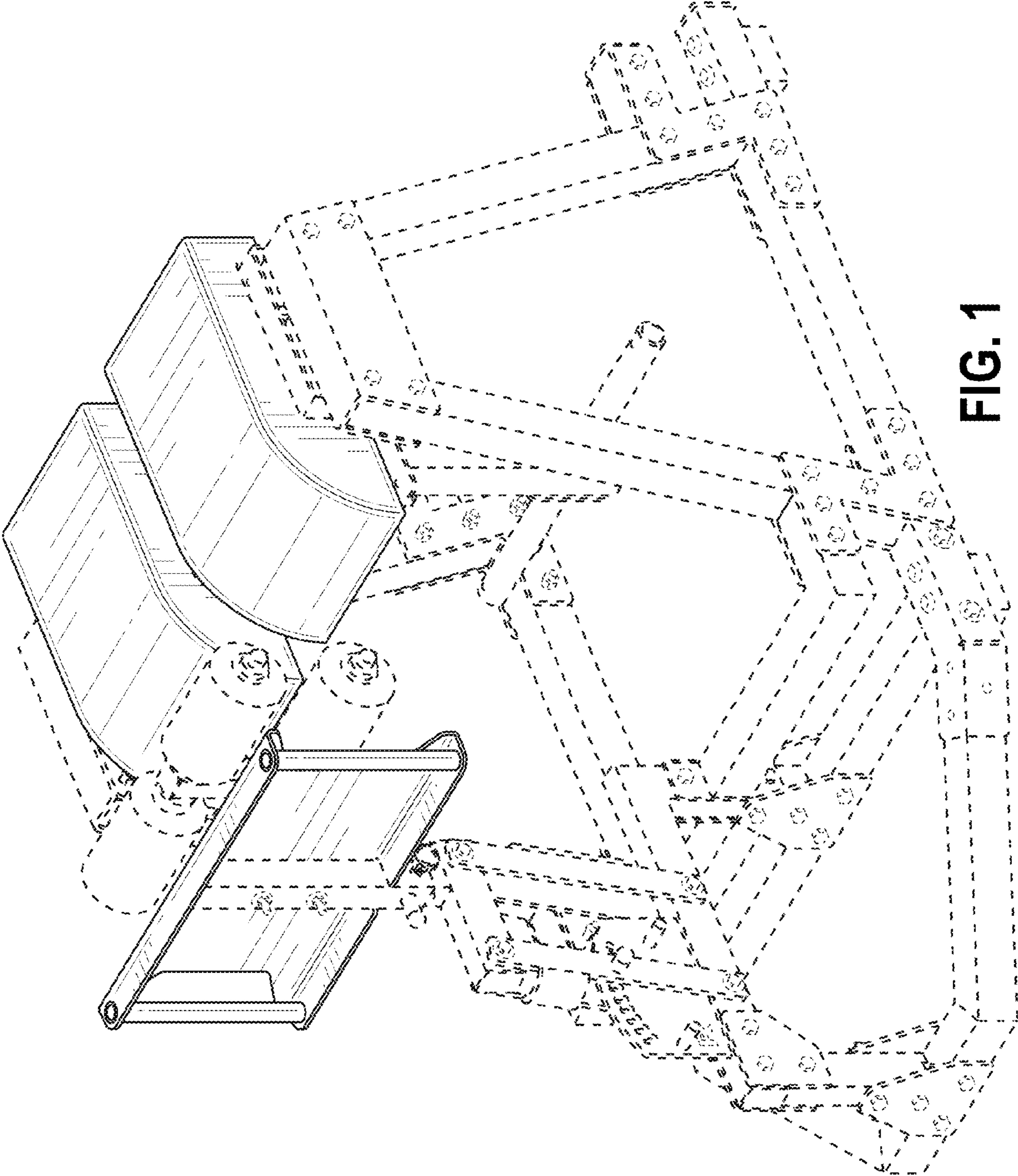


FIG. 1

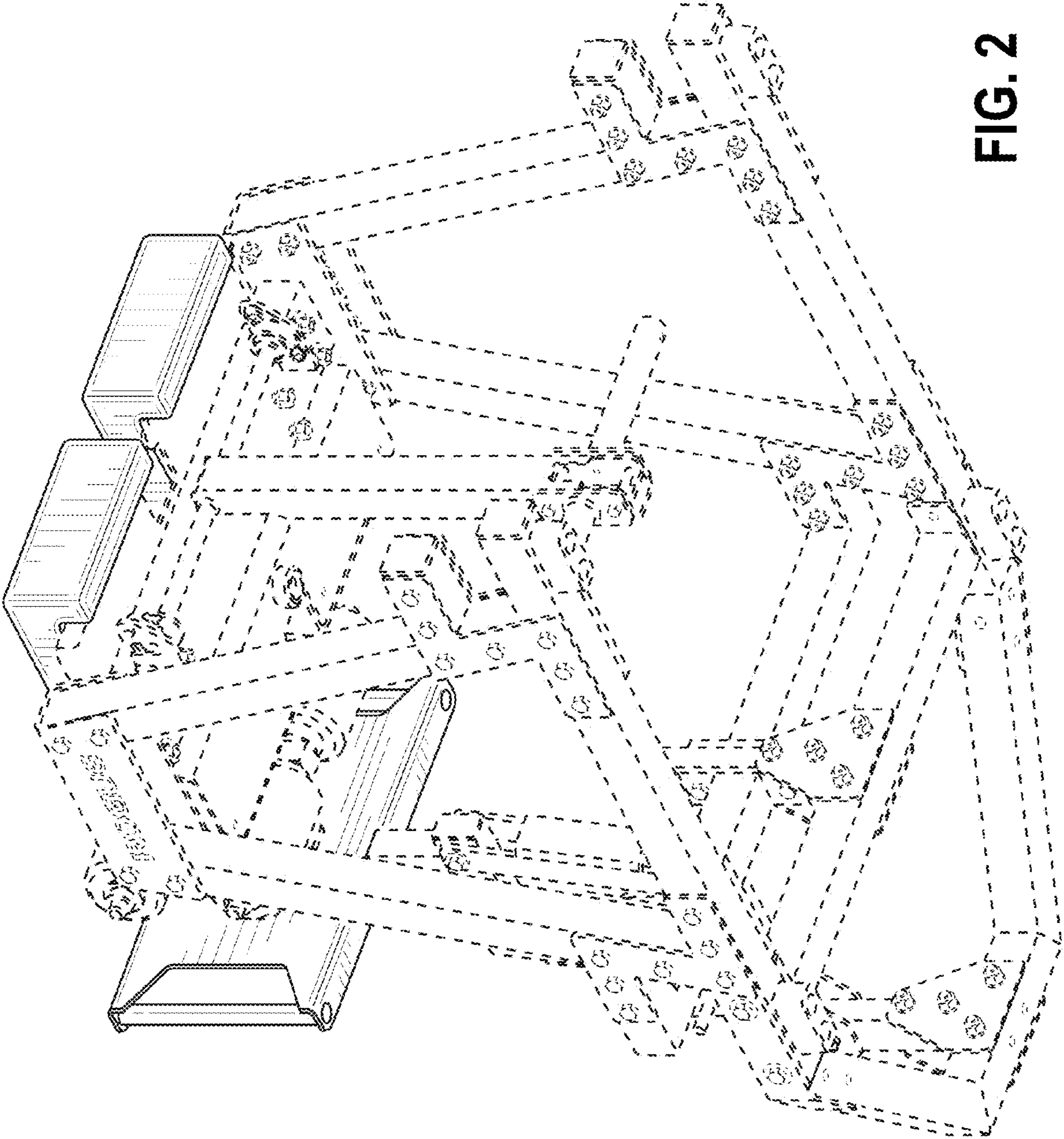


FIG. 2

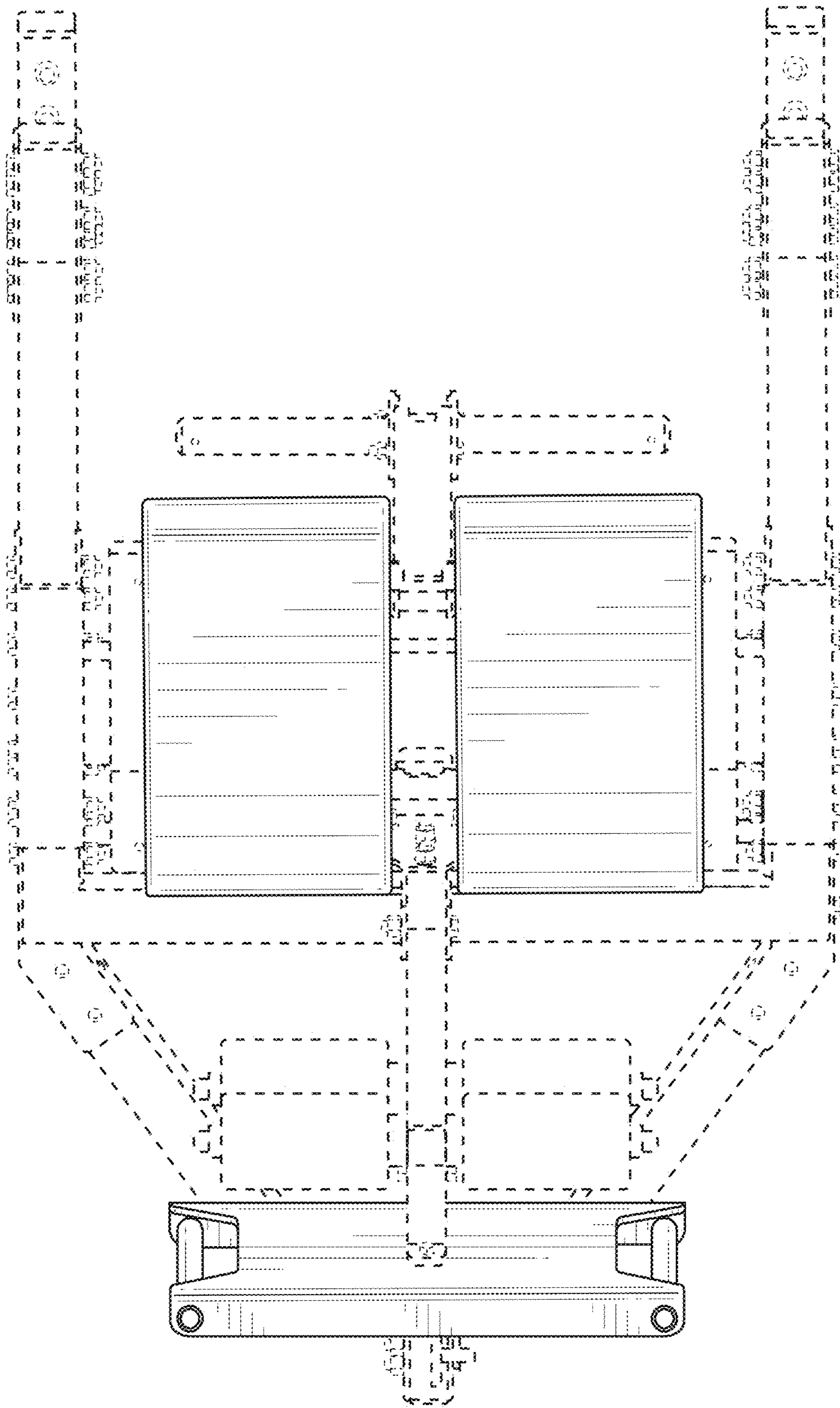


FIG. 3

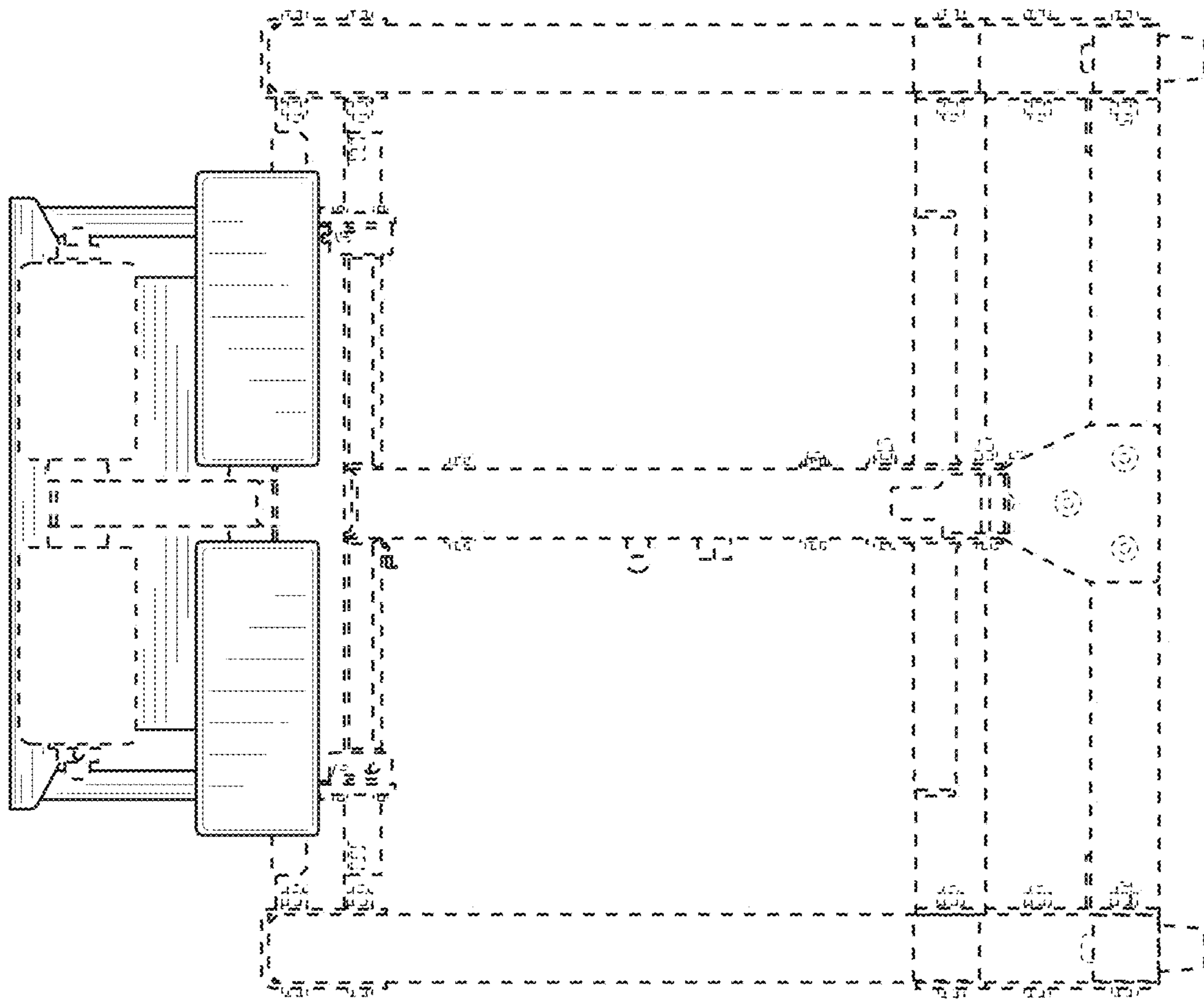


FIG. 4

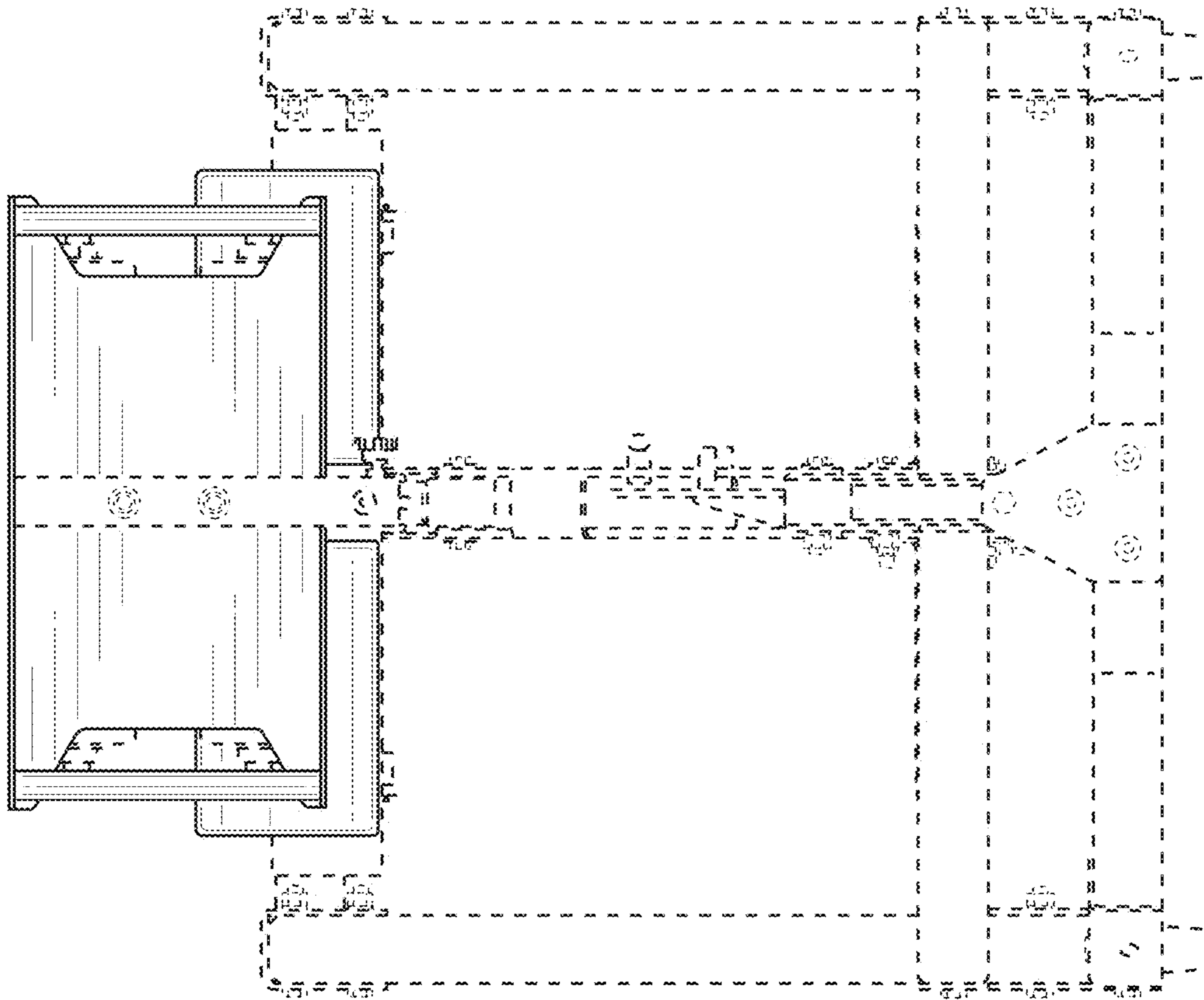


FIG. 5

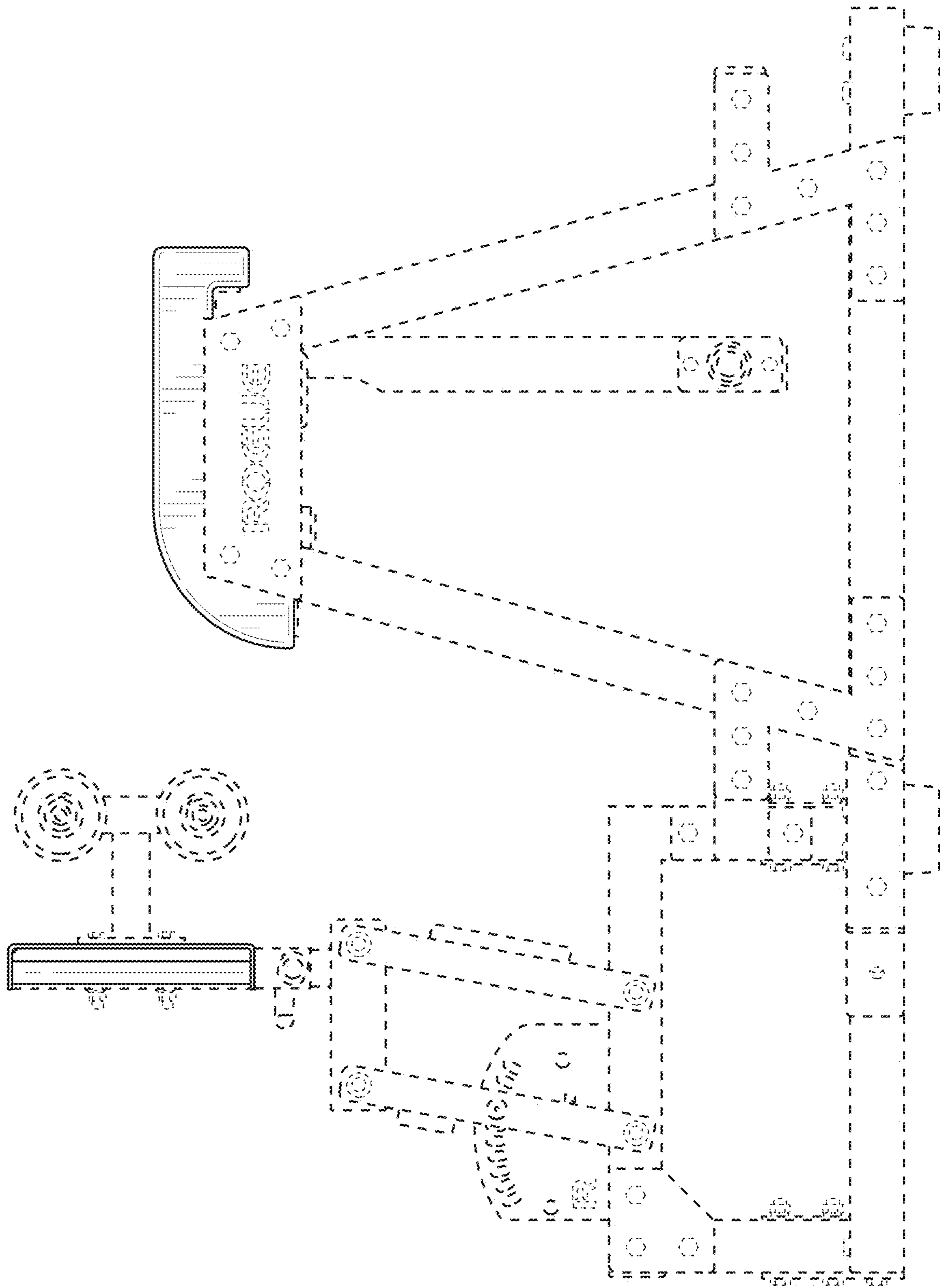


FIG. 6

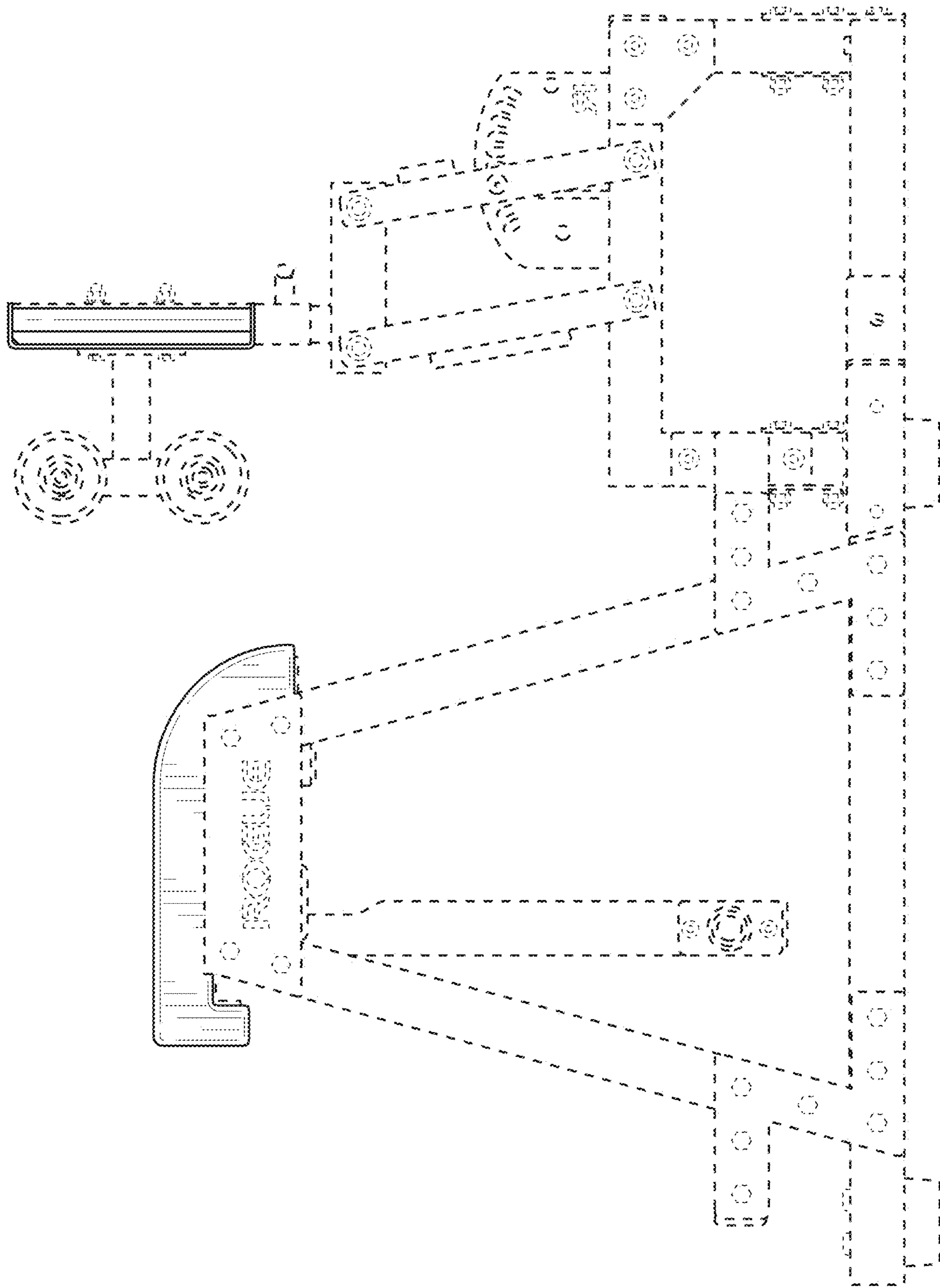


FIG. 7

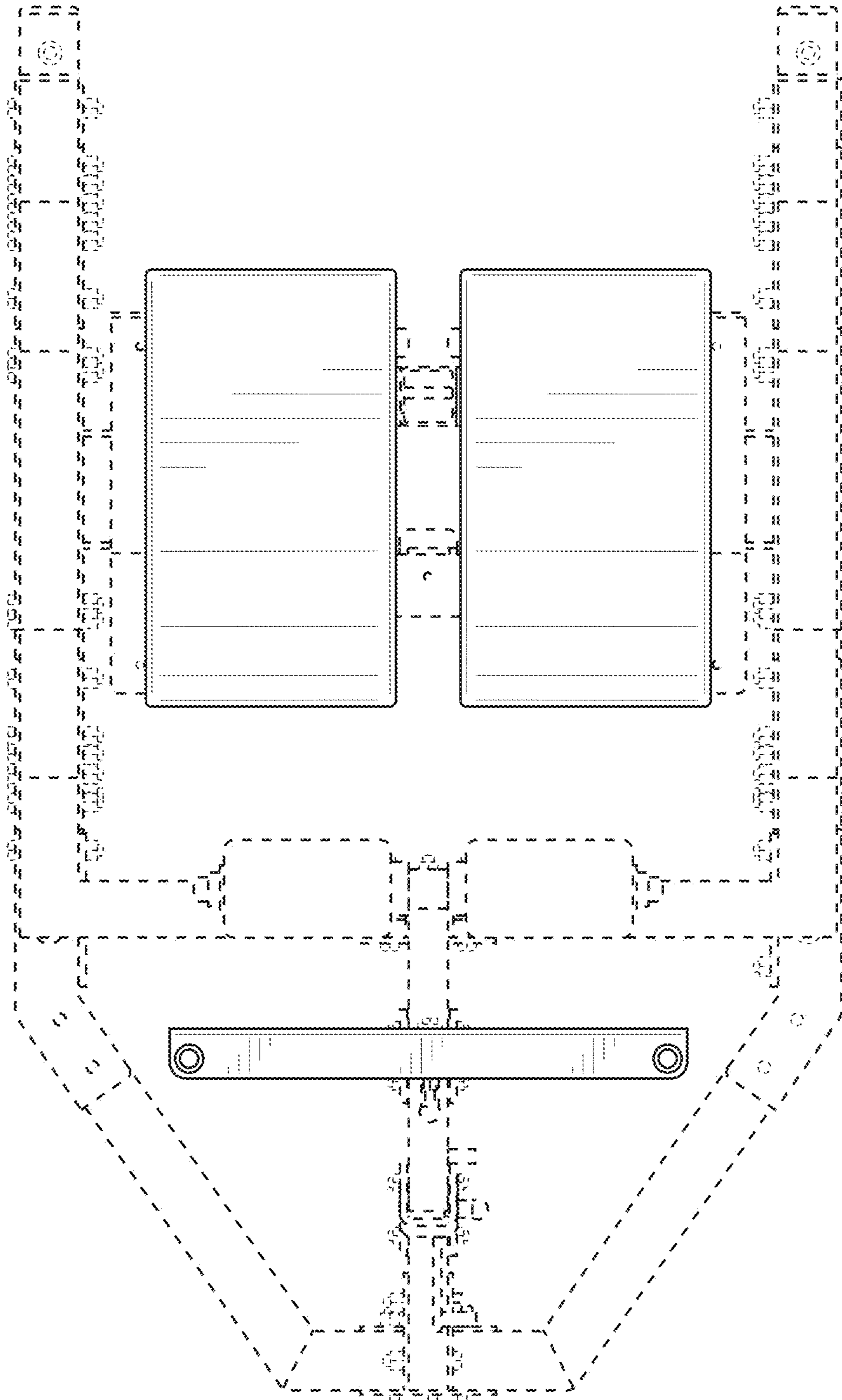


FIG. 8

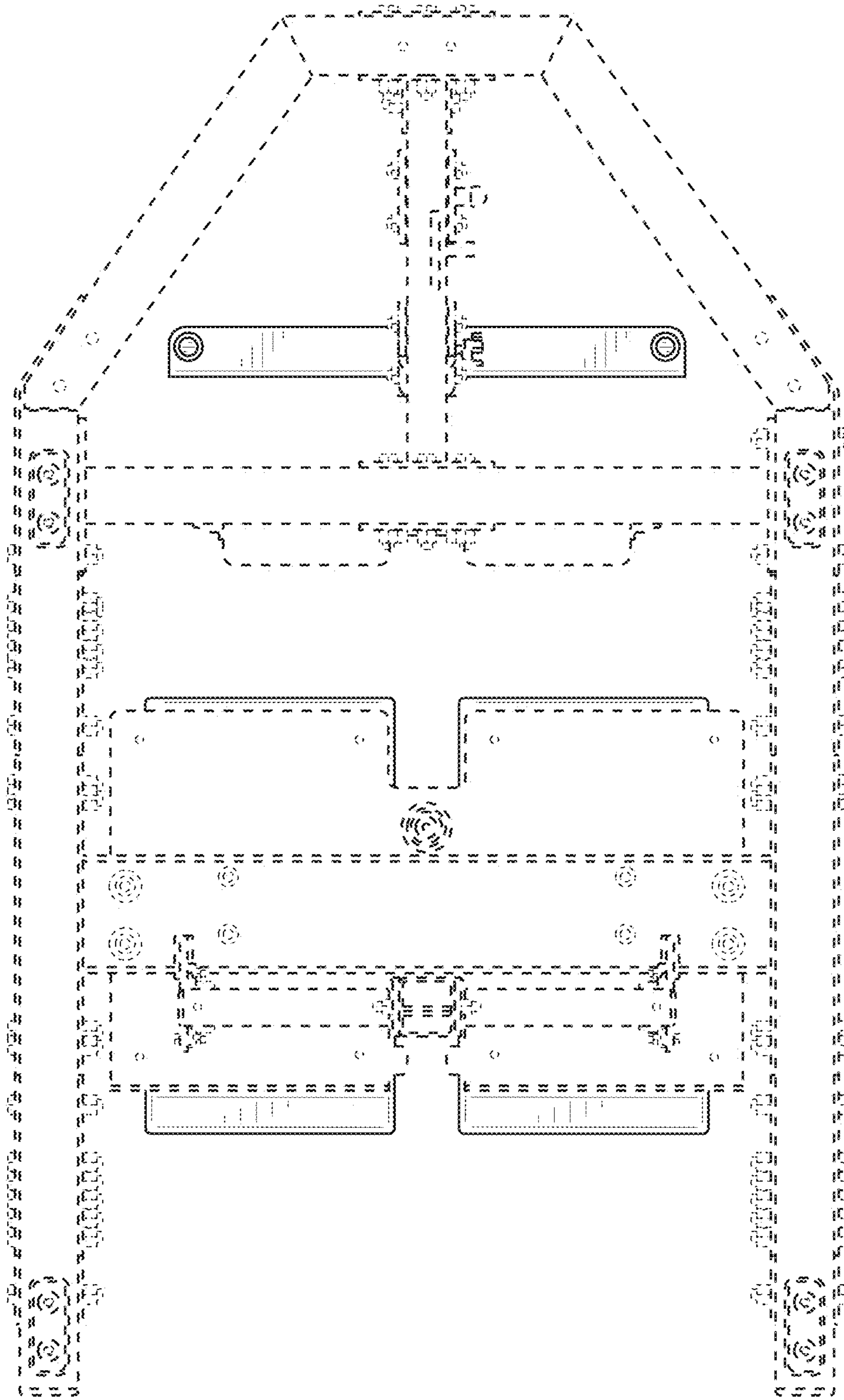


FIG. 9