



US00D956889S

(12) **United States Design Patent** (10) **Patent No.:** **US D956,889 S**
Marrs (45) **Date of Patent:** **** Jul. 5, 2022**

(54) **WEIGHT TRAINING BAR**
 (71) Applicant: **Marrs-Bar, LLC**, Westwood, KS (US)
 (72) Inventor: **Zachary W. Marrs**, Lawrence, KS (US)
 (**) Term: **15 Years**
 (21) Appl. No.: **29/641,347**
 (22) Filed: **Mar. 21, 2018**
 (51) **LOC (13) Cl.** **21-02**
 (52) **U.S. Cl.**
 USPC **D21/681**
 (58) **Field of Classification Search**
 USPC D21/662, 673, 675, 679-682, 684, 694
 CPC . A63B 21/0724; A63B 21/072; A63B 21/075;
 A63B 21/0726; C21D 9/0075; C21D
 1/18; C21D 6/002; C21D 6/005; C22C
 38/54; C22C 38/06; C22C 38/002; E04C
 5/01; E04C 5/162; E04C 5/165; B29C
 70/527; B29C 70/528; B29C 70/081;
 B29D 23/00
 See application file for complete search history.

6,010,439 A 1/2000 Bullard, Jr.
 D425,151 S * 5/2000 Landfair D21/679
 6,251,052 B1 6/2001 Simonson
 7,112,164 B1 9/2006 Hoagland
 D626,187 S * 10/2010 Friedman D21/679
 D633,961 S * 3/2011 Loew D21/679
 D685,865 S * 7/2013 Kuhn D21/679
 D725,722 S * 3/2015 Conaway D21/679
 9,005,087 B1 * 4/2015 Betoney, Jr. A63B 21/072
 482/104
 D731,008 S 6/2015 Orakwusi
 9,079,085 B2 * 7/2015 McBride A63B 21/068
 9,254,410 B1 * 2/2016 Mirza A63B 23/12

(Continued)

OTHER PUBLICATIONS

<https://www.youtube.com/watch?v=xiMDwGZTS1U> (Year: 2018).*
 (Continued)

Primary Examiner — Joseph Kukella
 (74) *Attorney, Agent, or Firm* — Law Office of Mark
 Brown, LLC; Christopher M. DeBacker

(57) **CLAIM**

The ornamental design for a weight training bar, as shown and described.

DESCRIPTION

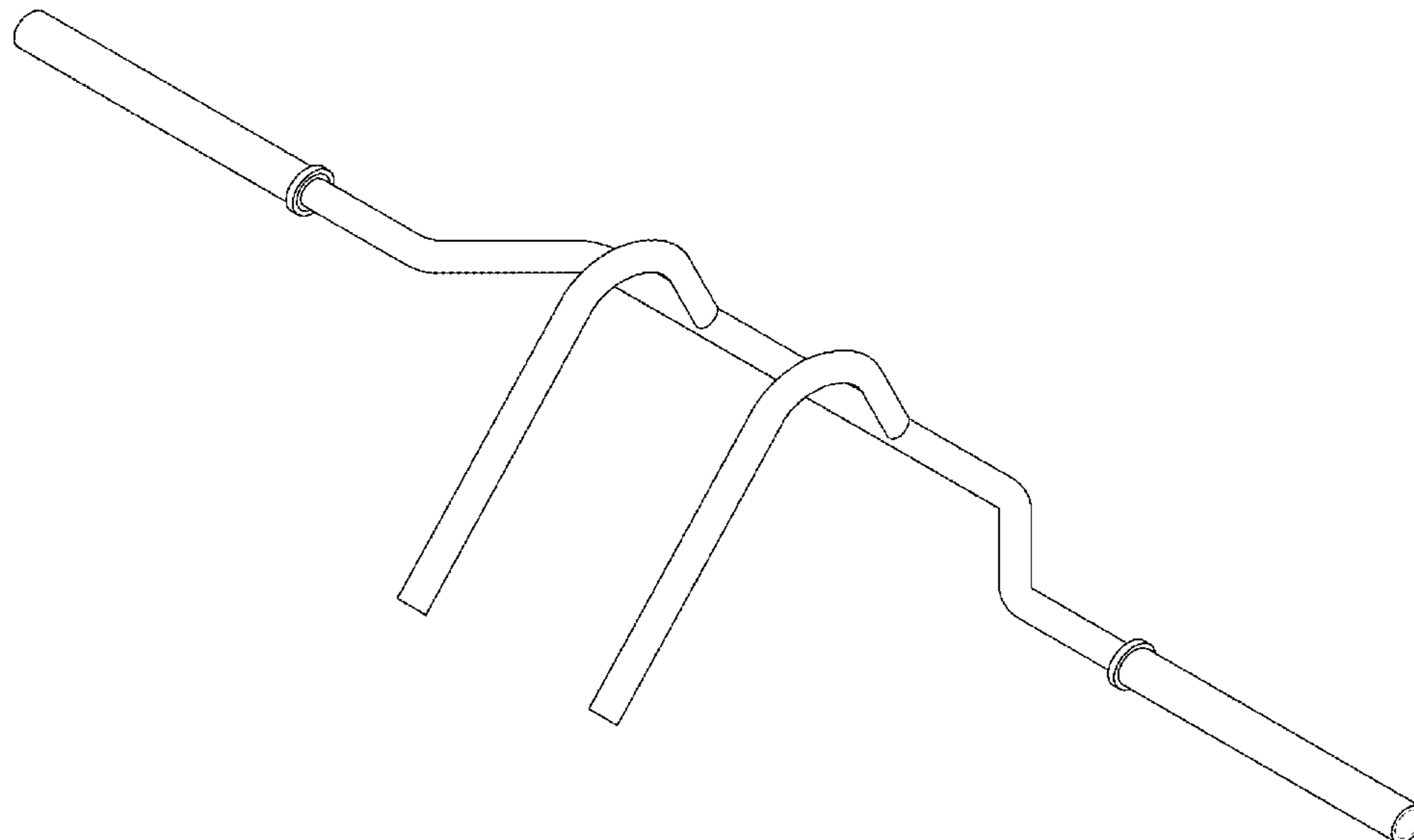
FIG. 1 is a perspective view of the weight training bar showing my new design.
 FIG. 2 is a top plan view thereof.
 FIG. 3 is a bottom plan view thereof.
 FIG. 4 is a front elevational view thereof.
 FIG. 5 is a back elevational view thereof; and,
 FIG. 6 is a right side elevational view thereof, the left side being a mirror image thereof.
 In the drawings, the broken lines depict portions of the weight training bar that form no part of the claimed design that form no part of the claimed design.

1 Claim, 4 Drawing Sheets

(56) **References Cited**

U.S. PATENT DOCUMENTS

3,370,850 A 2/1968 Moore
 3,468,534 A * 9/1969 Donato A63B 21/0608
 482/110
 3,679,107 A 7/1972 Perrine
 4,274,628 A 6/1981 Hoagland
 4,795,149 A 1/1989 Pearson
 4,863,158 A 9/1989 Tassone
 4,986,536 A 1/1991 Zane
 5,050,868 A 9/1991 Pearson
 5,108,095 A 4/1992 Nichols
 5,118,100 A 6/1992 Sungaila
 D327,927 S * 7/1992 Foley D21/681
 5,211,615 A 5/1993 Sides
 5,957,818 A 9/1999 Betournay



(56)

References Cited

U.S. PATENT DOCUMENTS

9,427,611 B1 * 8/2016 Balentine A63B 21/00047
 9,833,654 B1 12/2017 Gant et al.
 D845,404 S * 4/2019 Kuka D21/679
 2004/0242385 A1 * 12/2004 Emick A63B 21/0783
 482/106
 2006/0040802 A1 * 2/2006 Vittone A63B 21/0724
 482/106
 2006/0100075 A1 5/2006 Harsh
 2008/0182735 A1 7/2008 Thomas
 2010/0323854 A1 * 12/2010 Brandenburg A63B 21/0724
 482/106
 2014/0302968 A1 * 10/2014 Velikin A63B 1/00
 482/40
 2019/0351281 A1 * 11/2019 Monarrez, Jr. A63B 21/0724
 2020/0324161 A1 * 10/2020 Duffin A63B 21/0004

OTHER PUBLICATIONS

<https://www.youtube.com/watch?v=6K07axgQwbA> (Year: 2016).*
https://www.youtube.com/watch?v=fTTBzeXQ_8U (Year: 2014).*
 Keck, "Screen captures from YouTube video clip entitled "Front Squats with Safety Squat Bar 345x12"", <https://www.youtube.com/watch?v=aAsIZRtxecE>, Sep. 3, 2009, 1-7.
 Rouge Fitness, "Screen captures from YouTube video clip entitled "Movement Demo-Saftey Squat Bar Box Squats"", <https://www.youtube.com/watch?v=2bkidbmb8Tk>, Mar. 19, 2012, 1-7.

* cited by examiner

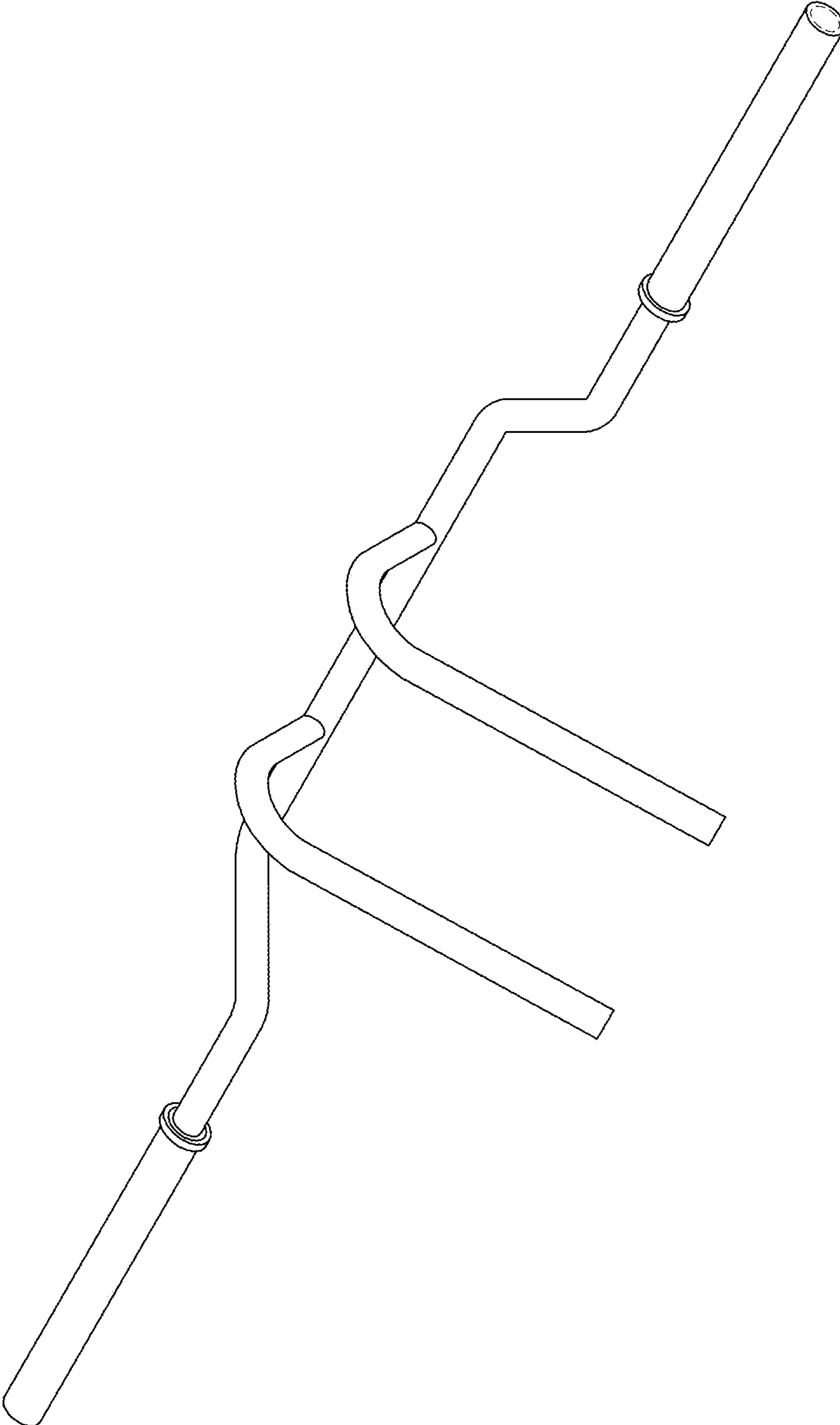


FIG. 1

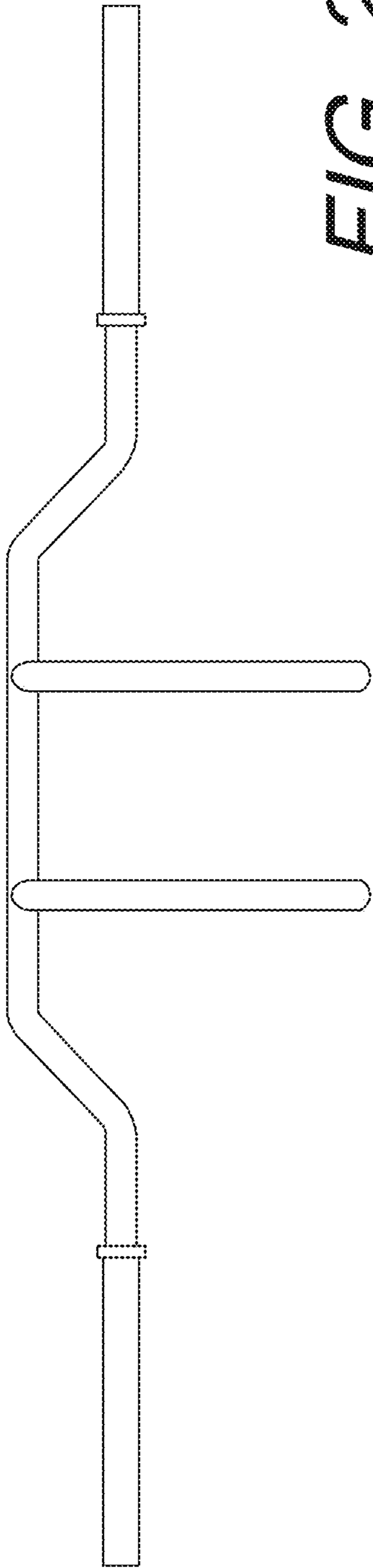


FIG. 2

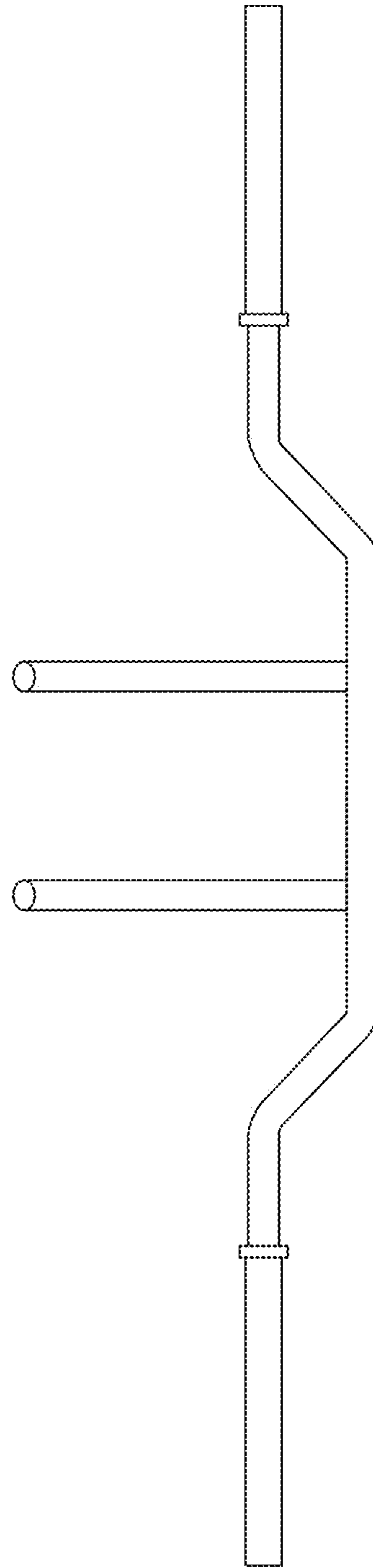


FIG. 3

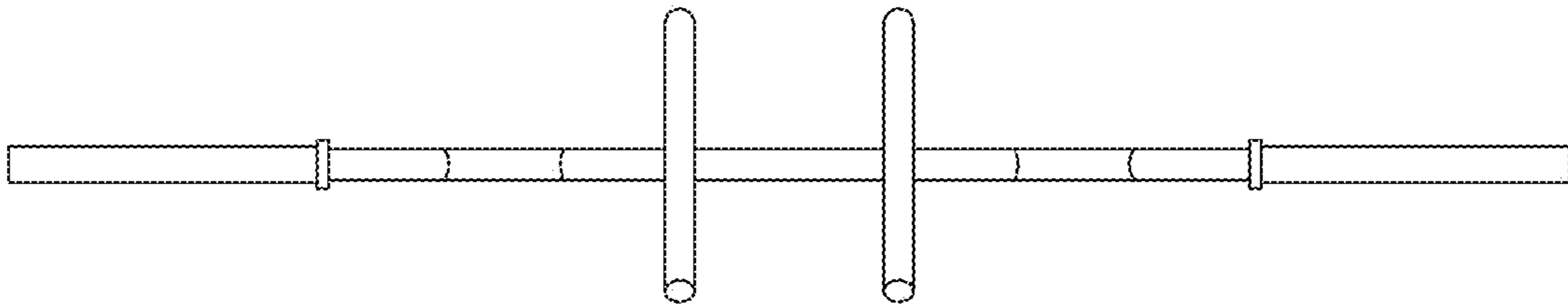


FIG. 4

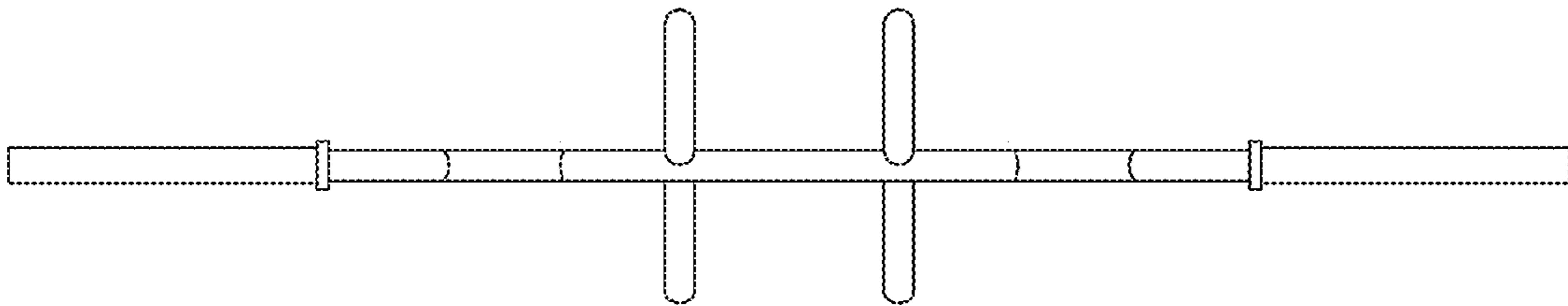


FIG. 5

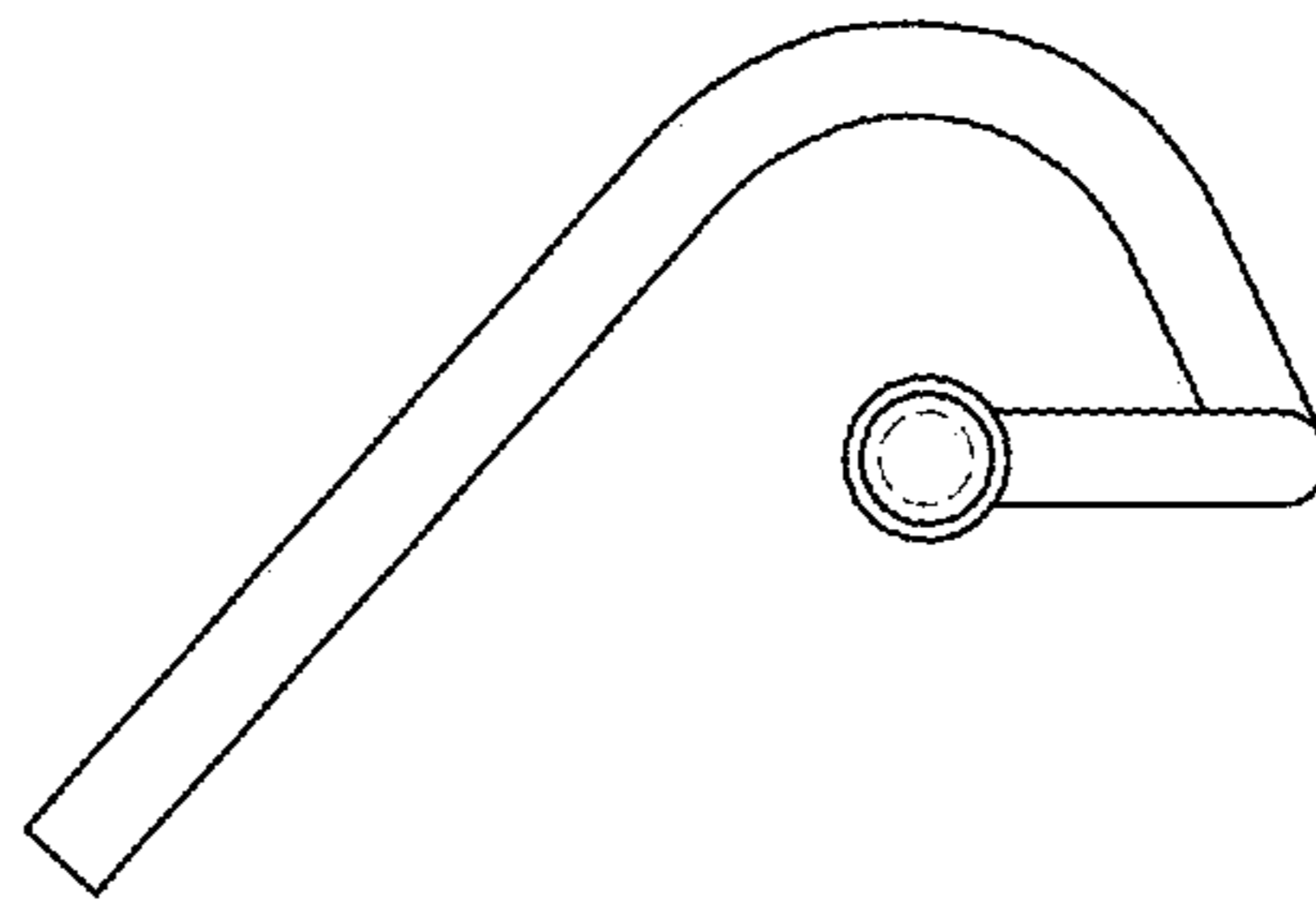


FIG. 6