



US00D956886S

(12) **United States Design Patent** (10) **Patent No.:** **US D956,886 S**
Xing et al. (45) **Date of Patent:** **** Jul. 5, 2022**

(54) **CHASSIS FOR MODEL CAR**

(56) **References Cited**

(71) Applicant: **BEIJING XIAOMI MOBILE SOFTWARE CO., LTD.**, Beijing (CN)

U.S. PATENT DOCUMENTS

(72) Inventors: **Zheng Xing**, Beijing (CN); **Ningning Li**, Beijing (CN); **Lei Zhang**, Beijing (CN); **Ying Shen**, Beijing (CN)

D332,978 S *	2/1993	Tsuchiya	D21/562
D332,979 S *	2/1993	Tsuchiya	D21/562
D403,023 S *	12/1998	Araki	D21/562
D521,572 S *	5/2006	Yuen	D21/562
D532,835 S *	11/2006	Suimon	D21/562
D534,593 S *	1/2007	Yuen	D21/562
D593,616 S *	6/2009	Asai	D21/562
D802,685 S *	11/2017	Barajas	D21/562
D822,126 S *	7/2018	Allmendinger	D21/562
D844,070 S *	3/2019	Christensen	D21/562
D849,158 S *	5/2019	Qi	D21/548
D851,183 S *	6/2019	Wood	D21/562
D897,452 S *	9/2020	Lin	D21/550

(73) Assignee: **BEIJING XIAOMI MOBILE SOFTWARE CO., LTD.**, Beijing (CN)

(**) Term: **15 Years**

(21) Appl. No.: **35/510,129**

* cited by examiner

(22) Filed: **Feb. 19, 2020**

Primary Examiner — Joseph Kukella

(80) **Hague Agreement Data**

(74) *Attorney, Agent, or Firm* — Syncoda LLC; Feng Ma

Int. Filing Date: **Feb. 19, 2020**

Int. Reg. No.: **DM/207836**

Int. Reg. Date: **Feb. 19, 2020**

Int. Reg. Pub. Date: **Aug. 21, 2020**

(57) **CLAIM**

The ornamental design for a chassis for model car, as shown and described.

(30) **Foreign Application Priority Data**

DESCRIPTION

Aug. 29, 2019 (CN) 201930474435.3

(51) **LOC (13) Cl.** **21-01**

(52) **U.S. Cl.**
USPC **D21/562**

(58) **Field of Classification Search**
USPC D12/82, 86, 89, 91, 93, 159; D21/533,
D21/548, 552, 561, 562

CPC A63H 17/00; B62D 21/00; B62D 21/10;
B62D 25/06; B62D 31/00; B62D 31/003

See application file for complete search history.

1. Chassis for model car

1.1 : Front

1.2 : Back

1.3 : Left

1.4 : Right

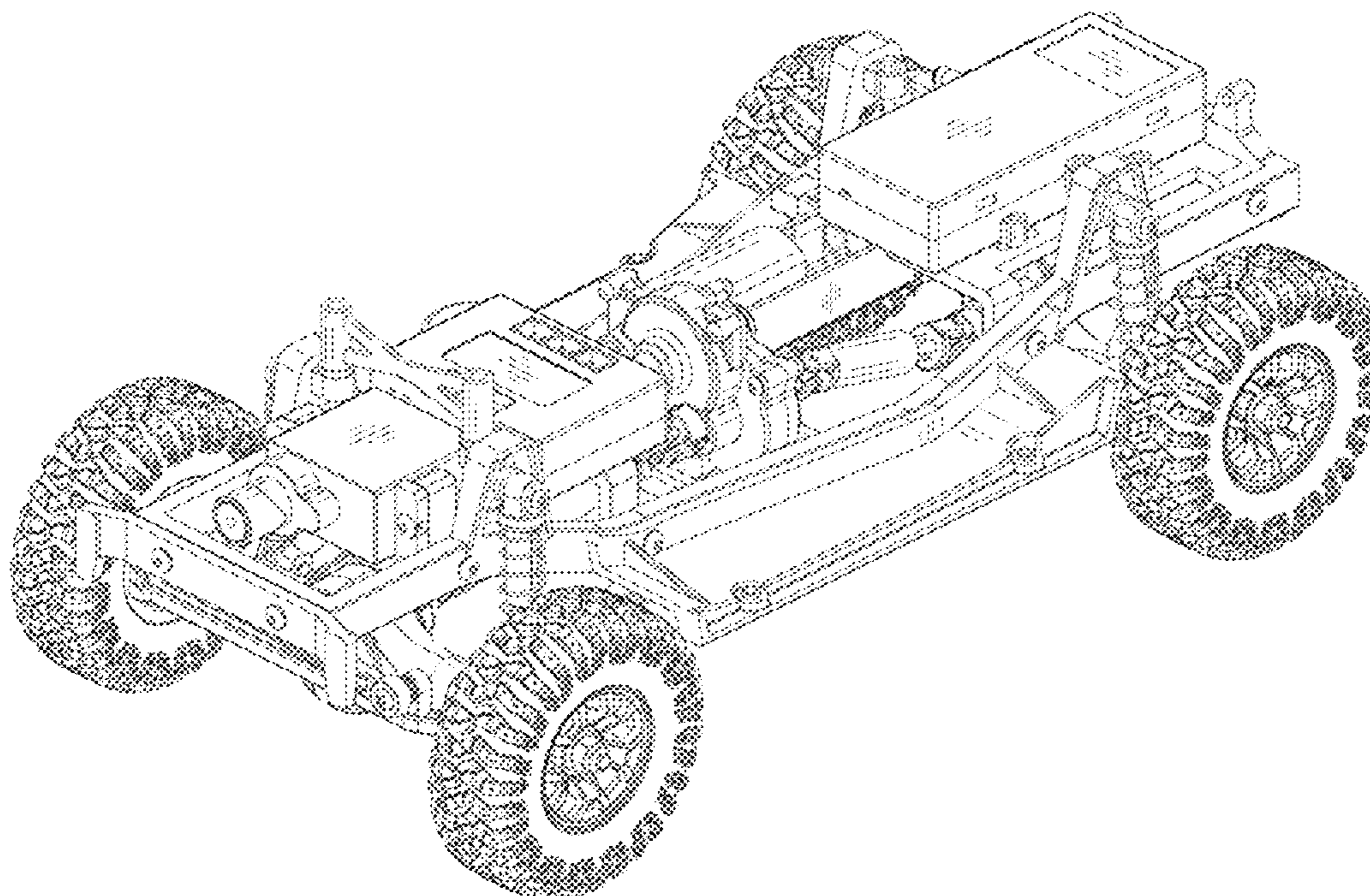
1.5 : Top

1.6 : Bottom

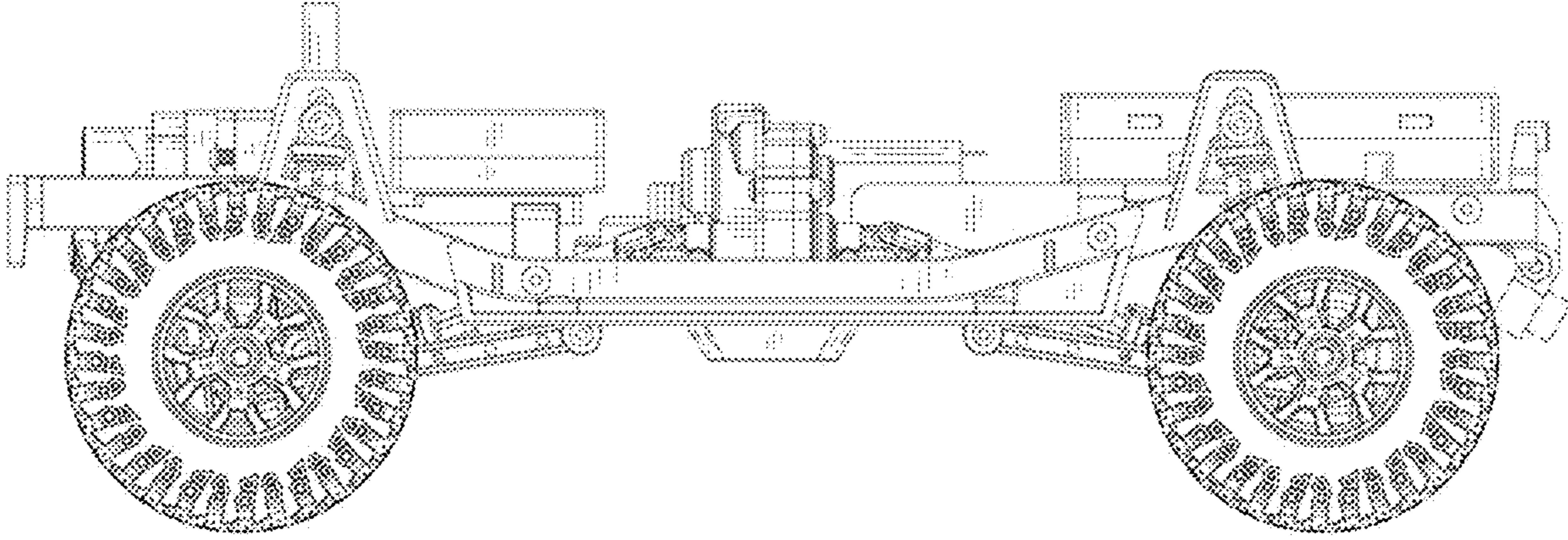
1.7 : Perspective

1.8 : Perspective

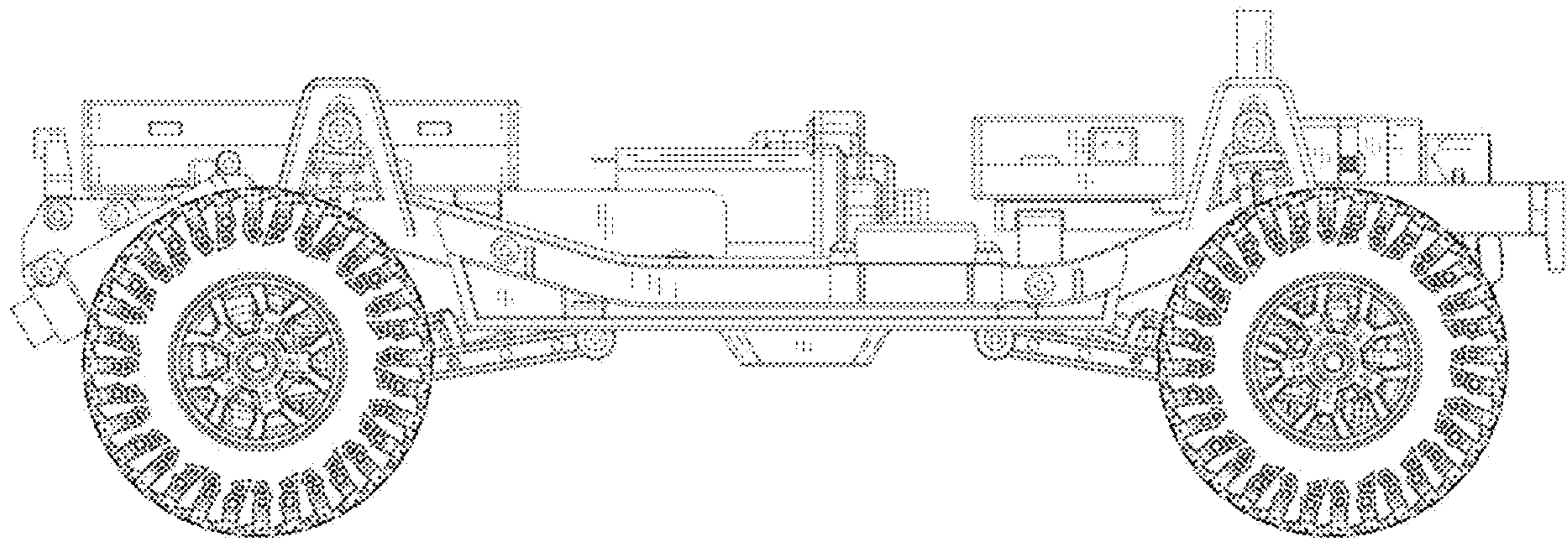
1 Claim, 8 Drawing Sheets



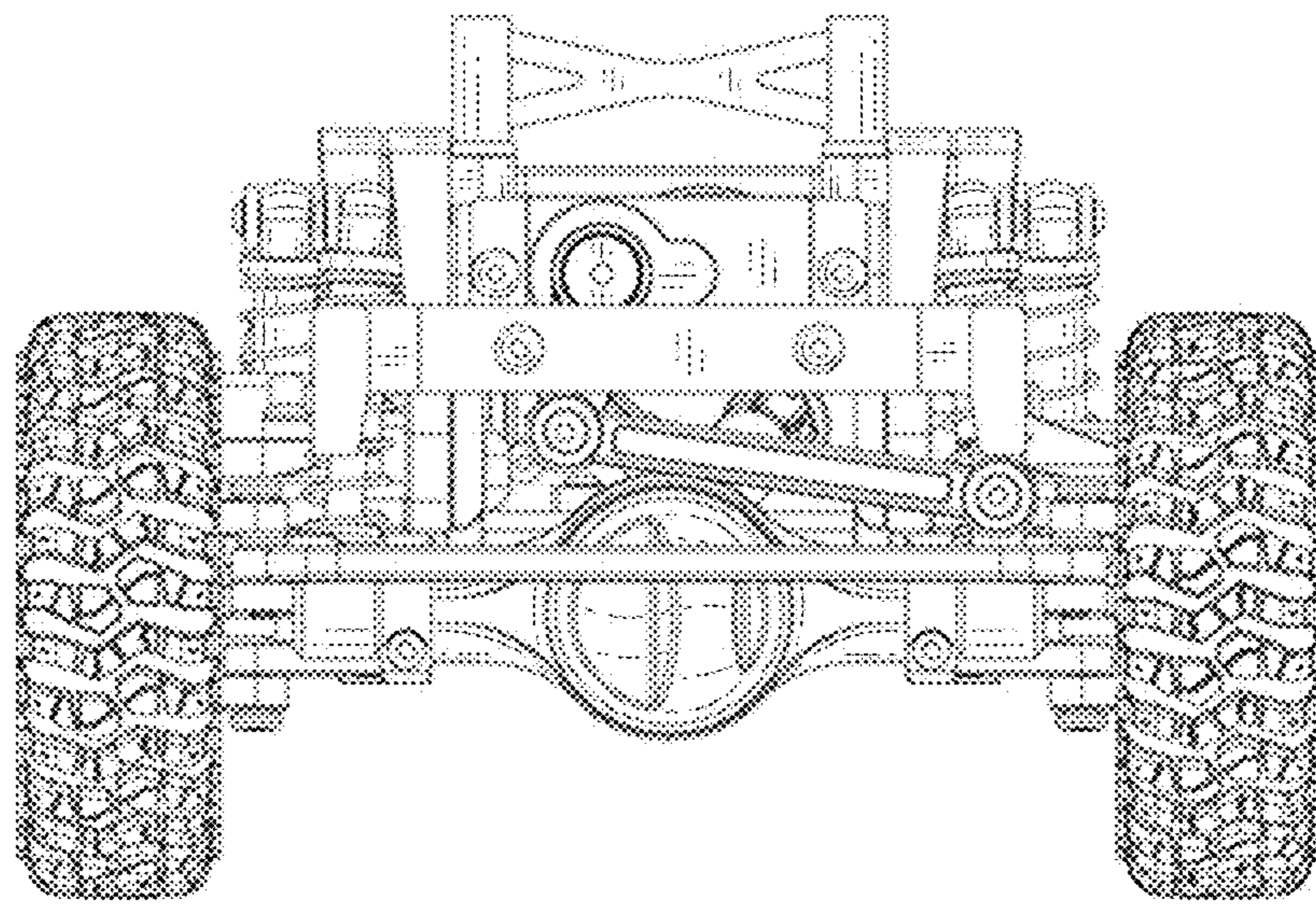
1.1



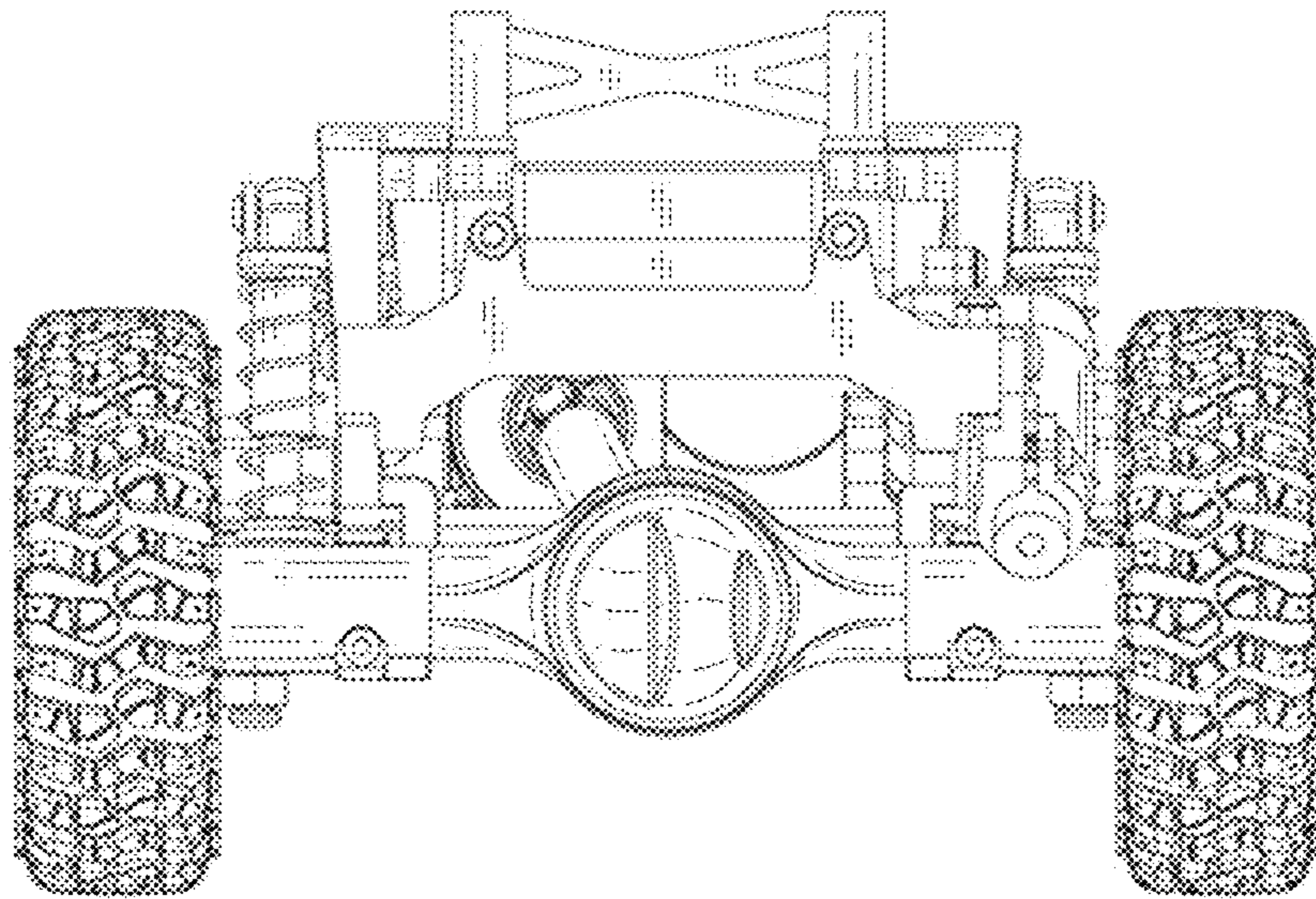
1.2



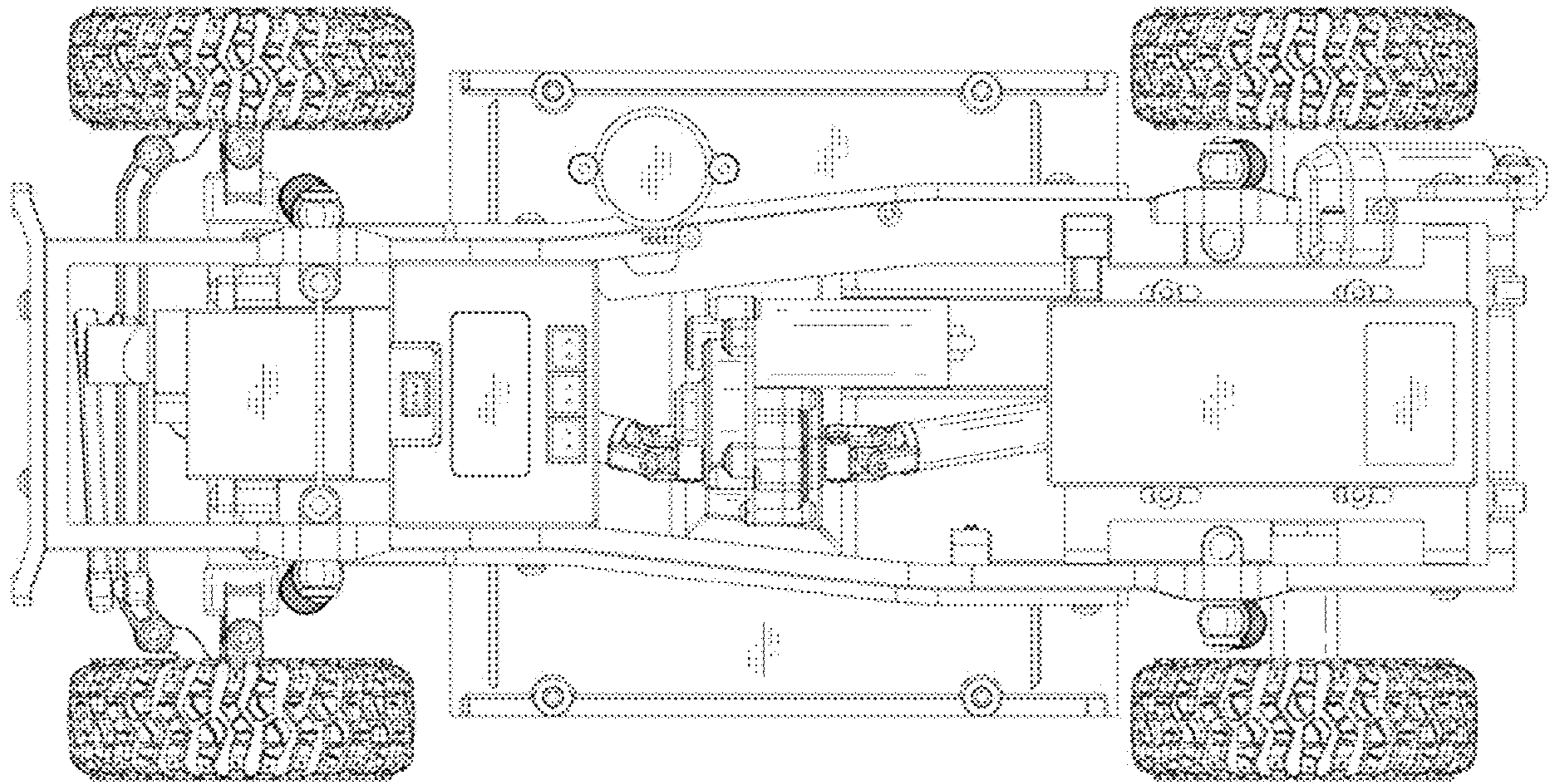
1.3



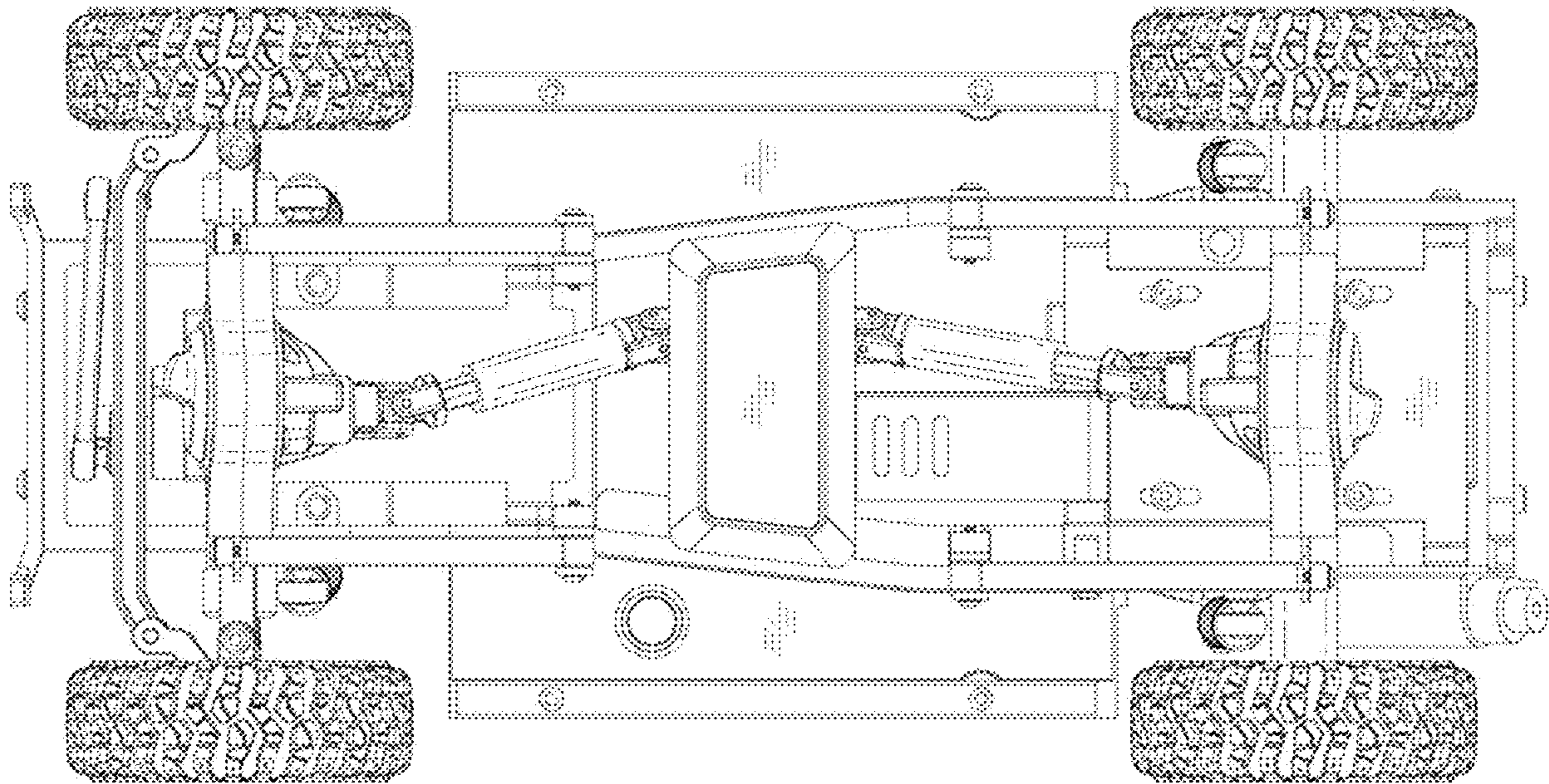
1.4



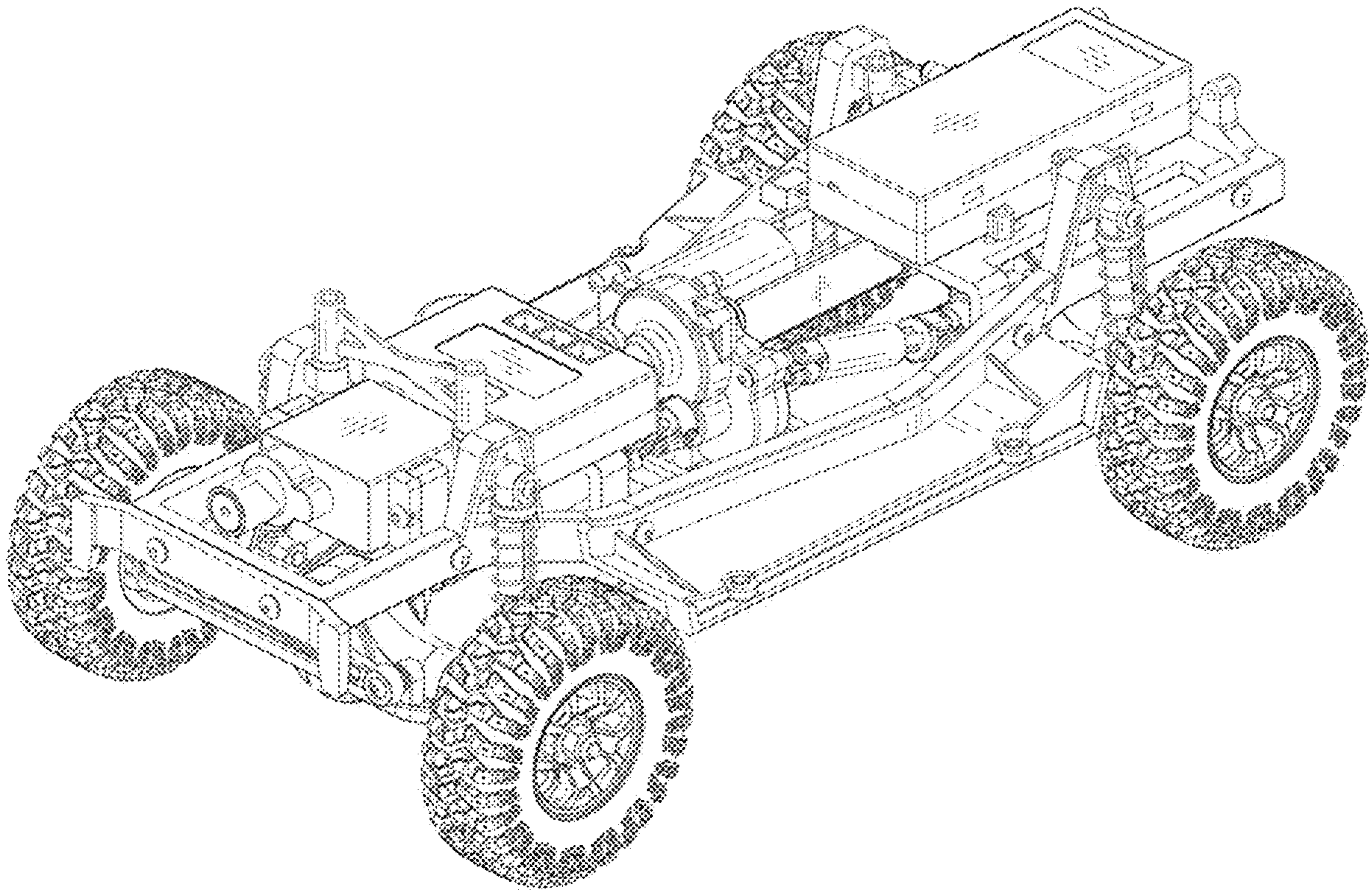
1.5



1.6



1.7



1.8

