



US00D956884S

(12) **United States Design Patent**
Diego et al.

(10) **Patent No.:** **US D956,884 S**
(45) **Date of Patent:** **** Jul. 5, 2022**

- (54) **PLAY TRUCK**
- (71) Applicant: **PLAYPOWER, INC.**, Huntersville, NC (US)
- (72) Inventors: **Gabriela Diego**, Lewisburg, PA (US); **Craig Mellott**, Beavertown, PA (US); **Lauren Menezes**, Milton, PA (US); **Michael Eby**, Lewisburg, PA (US); **Jeff Williams**, Milton, PA (US); **Bishop Aikey**, New Columbia, PA (US)
- (73) Assignee: **PLAYPOWER, INC.**, Huntersville, NC (US)
- (**) Term: **15 Years**
- (21) Appl. No.: **29/719,146**
- (22) Filed: **Dec. 31, 2019**
- (51) **LOC (13) Cl.** **21-01**
- (52) **U.S. Cl.**
USPC **D21/533**; D21/811; D21/831; D21/833
- (58) **Field of Classification Search**
USPC D21/537, 533, 552, 548, 424, 434, 419, D21/427, 433, 530, 539, 550, 551, 561, D21/562, 549, 421, 428, 468, 475, 477, D21/511, 814, 826, 825, 833, 831, 832, D21/811; D12/12, 82, 83, 84, 86, 87, 88, D12/91
CPC A63G 25/00; A63B 9/00; A63B 2009/006
See application file for complete search history.

- 6,082,386 A * 7/2000 Zheng A63B 9/00 135/119
 - D454,923 S * 3/2002 Katz D21/433
 - D477,782 S * 7/2003 Throgmorton D9/434
 - D485,326 S * 1/2004 Frank A63B 9/00 D21/826
 - D493,204 S * 7/2004 Frank D21/826
- (Continued)

FOREIGN PATENT DOCUMENTS

- GB 9007463724-0002 * 12/2019
- KR 300669806.0000 * 11/2012

OTHER PUBLICATIONS

“Fisher Price Classics Retro Chatter Phone,” Feb. 1, 2009, amazon.com, site visited Nov. 15, 2021, URL: <https://www.amazon.com/Fisher-Price-Classics-Retro-Chatter/dp/B001W03MBQ> (Year: 2009).*

(Continued)

Primary Examiner — Eric L Goodman
Assistant Examiner — Sarah L Smith
(74) *Attorney, Agent, or Firm* — Sandberg Phoenix & von Gontard PC

(57) **CLAIM**
The ornamental design for a play truck, as shown and described.

DESCRIPTION

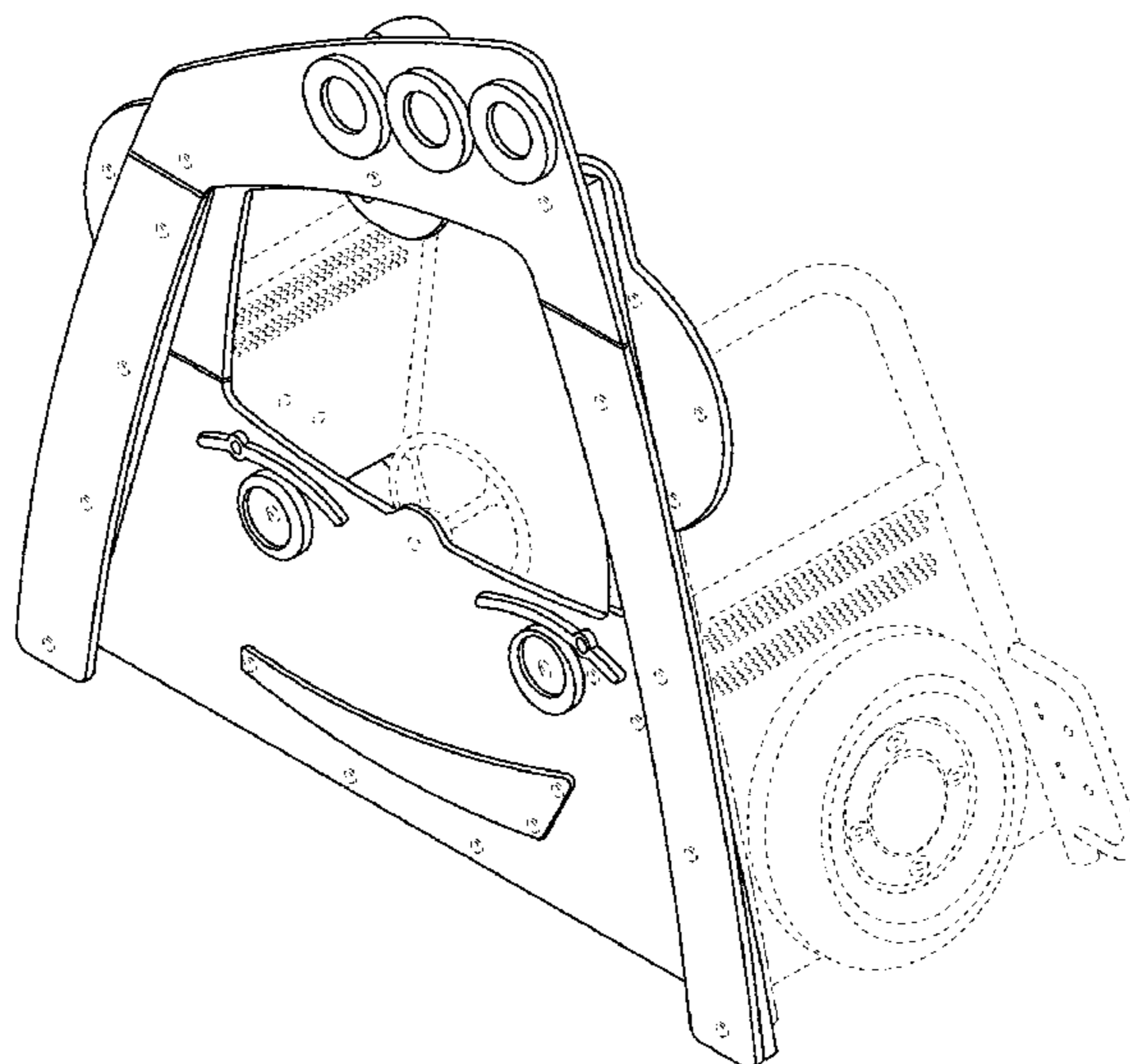
FIG. 1 is a first perspective view of a play truck; FIG. 2 is a second perspective view of the play truck; FIG. 3 is a front elevational view of the play truck; FIG. 4 is a right side elevational view of the play truck; FIG. 5 is a rear elevational view of the play truck; FIG. 6 is a left side elevational view of the play truck; FIG. 7 is a bottom plan view of the play truck; and, FIG. 8 is a top plan view of the play truck.
The portion of the article depicted in dashed, dot-dashed, and dot-dot lines forms no part of the claimed design.

1 Claim, 5 Drawing Sheets

(56) **References Cited**

U.S. PATENT DOCUMENTS

- 5,479,998 A * 1/1996 Ishikawa A63G 25/00 180/13
- 5,580,316 A * 12/1996 Hill A63B 9/00 16/344
- D387,119 S * 12/1997 Bookstaver D21/814
- D413,941 S * 9/1999 Ko D21/475



(56)

References Cited

U.S. PATENT DOCUMENTS

D511,556 S	*	11/2005	Auberger	D21/814
D516,154 S	*	2/2006	Auberger	D21/814
D708,679 S	*	7/2014	Badanjo	D21/424
D724,155 S	*	3/2015	Hixson	D21/428
D858,305 S	*	9/2019	Henderson	D9/675
D915,469 S	*	4/2021	Ninomiya	D15/25
D921,808 S	*	6/2021	Putnam	D21/825
D922,514 S	*	6/2021	Putnam	D21/825

OTHER PUBLICATIONS

“Disney 6 Inch Lightning McQueen,” Sep. 17, 2016, amazon.com, site visited Nov. 10, 2021, URL: <https://www.amazon.com/Lightning-McQueen-Disney-Removable-Sticker/dp/B01BYK5KPO> (Year: 2016).*

“Pee-Wee’s Playhouse (1986-1991)—Playhouse Picturephone Booth With Electronics, Light and Camera,” Dec. 1, 2018, us.propstoreauction.com, site visited Nov. 10, 2021, URL: <https://us.propstoreauction.com/view-auctions/catalog/id/146/lot/32204/> (Year: 2018).*

* cited by examiner

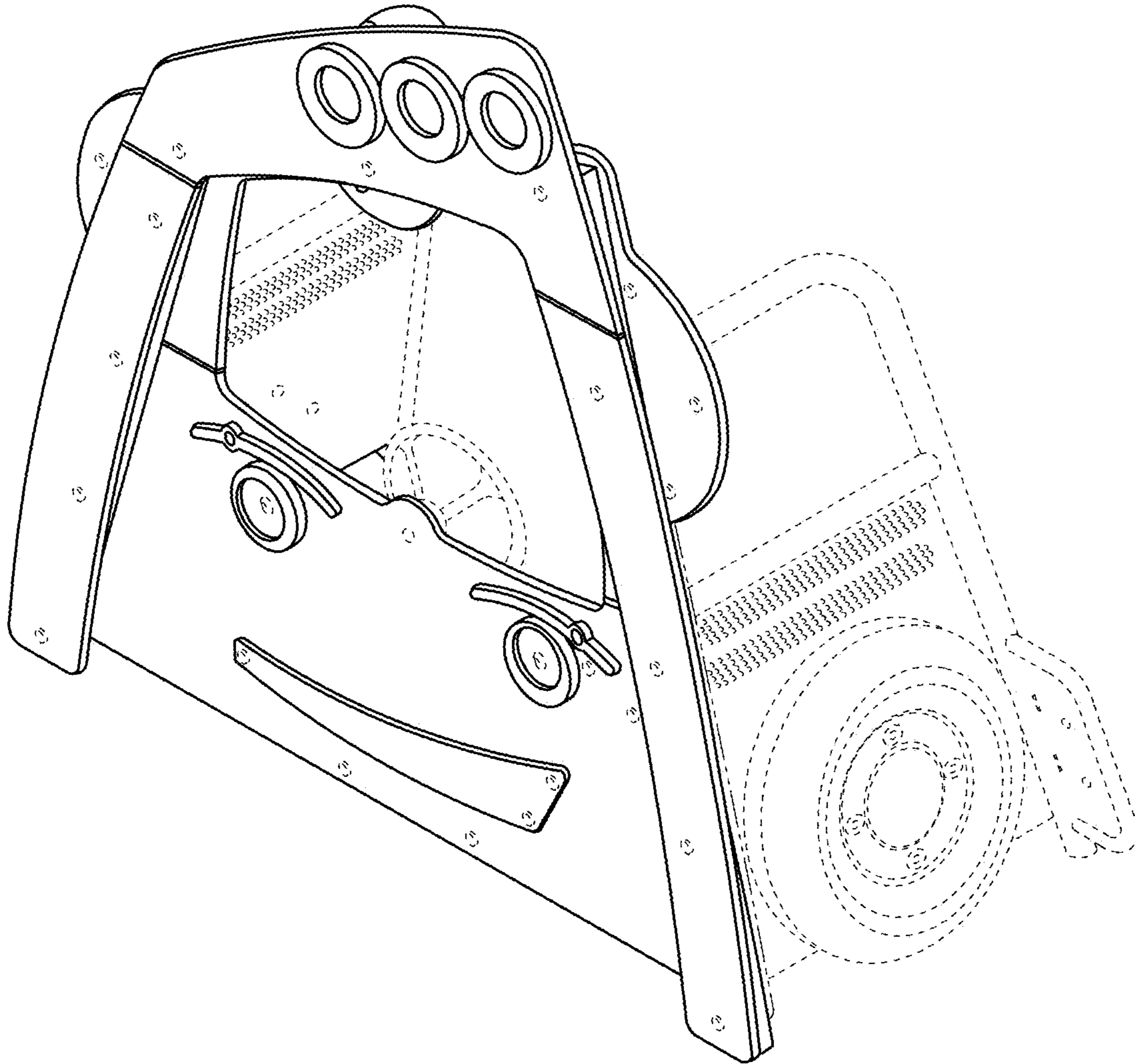


FIG. 1

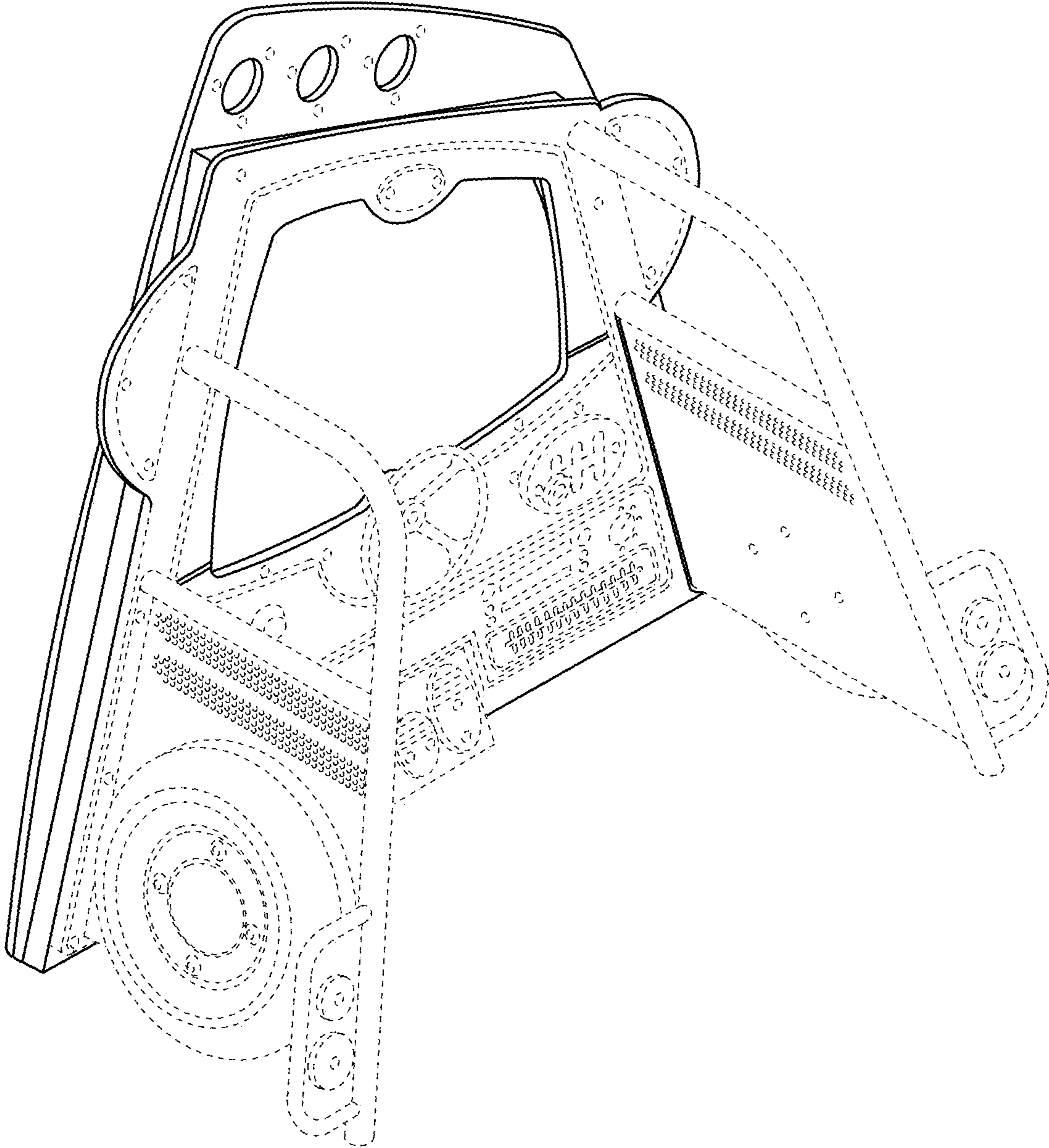


FIG. 2

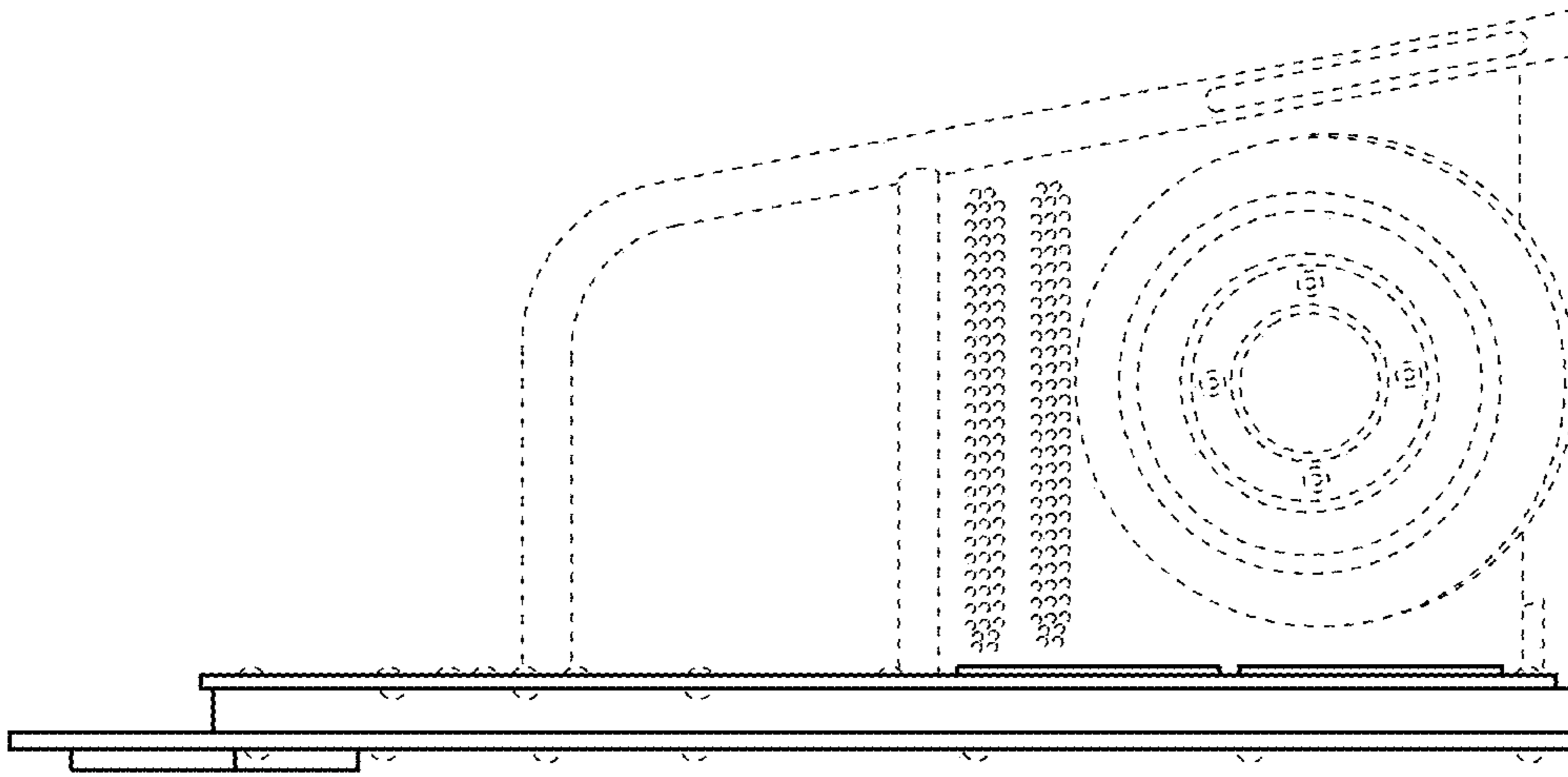


FIG. 4

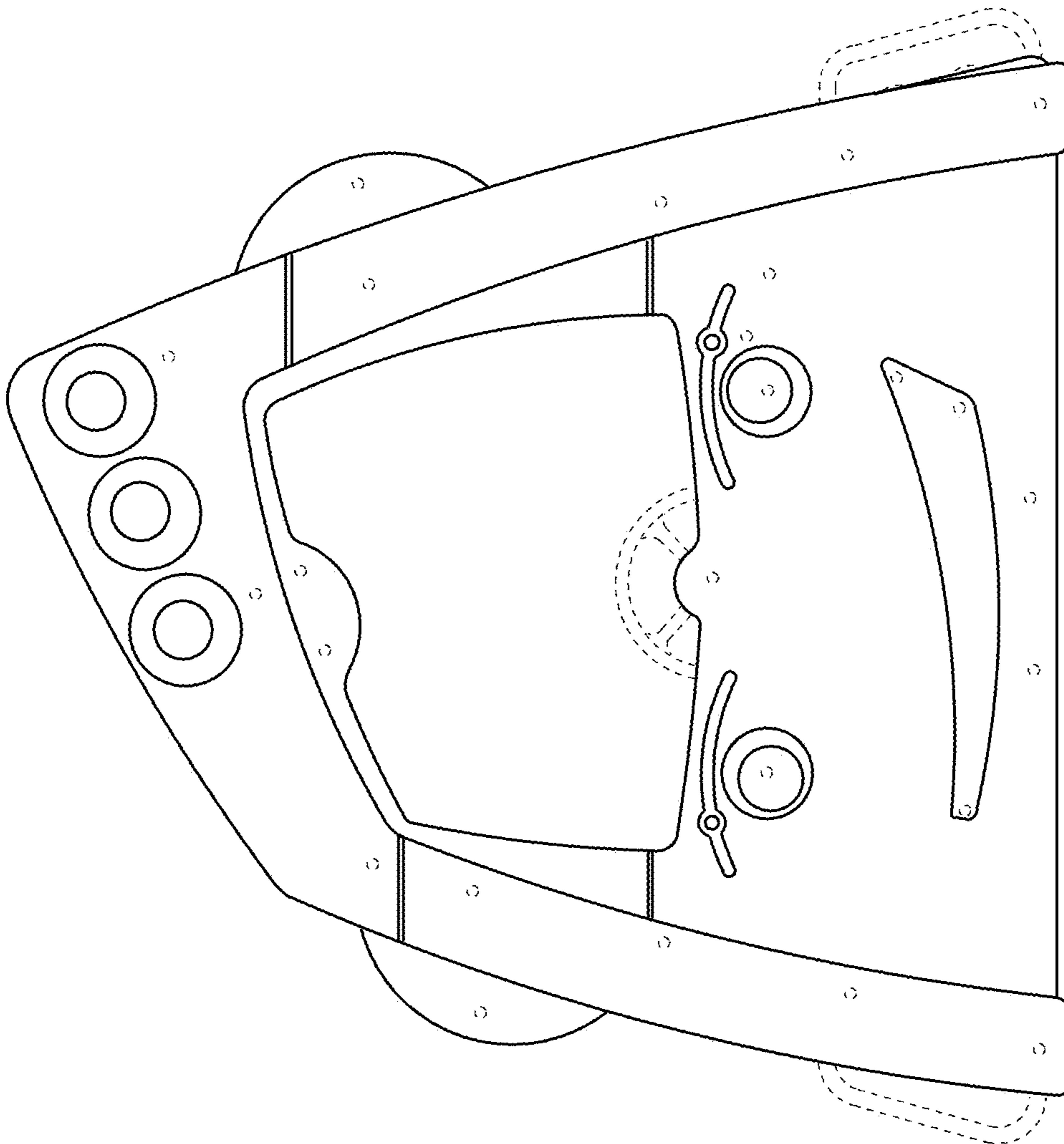


FIG. 3

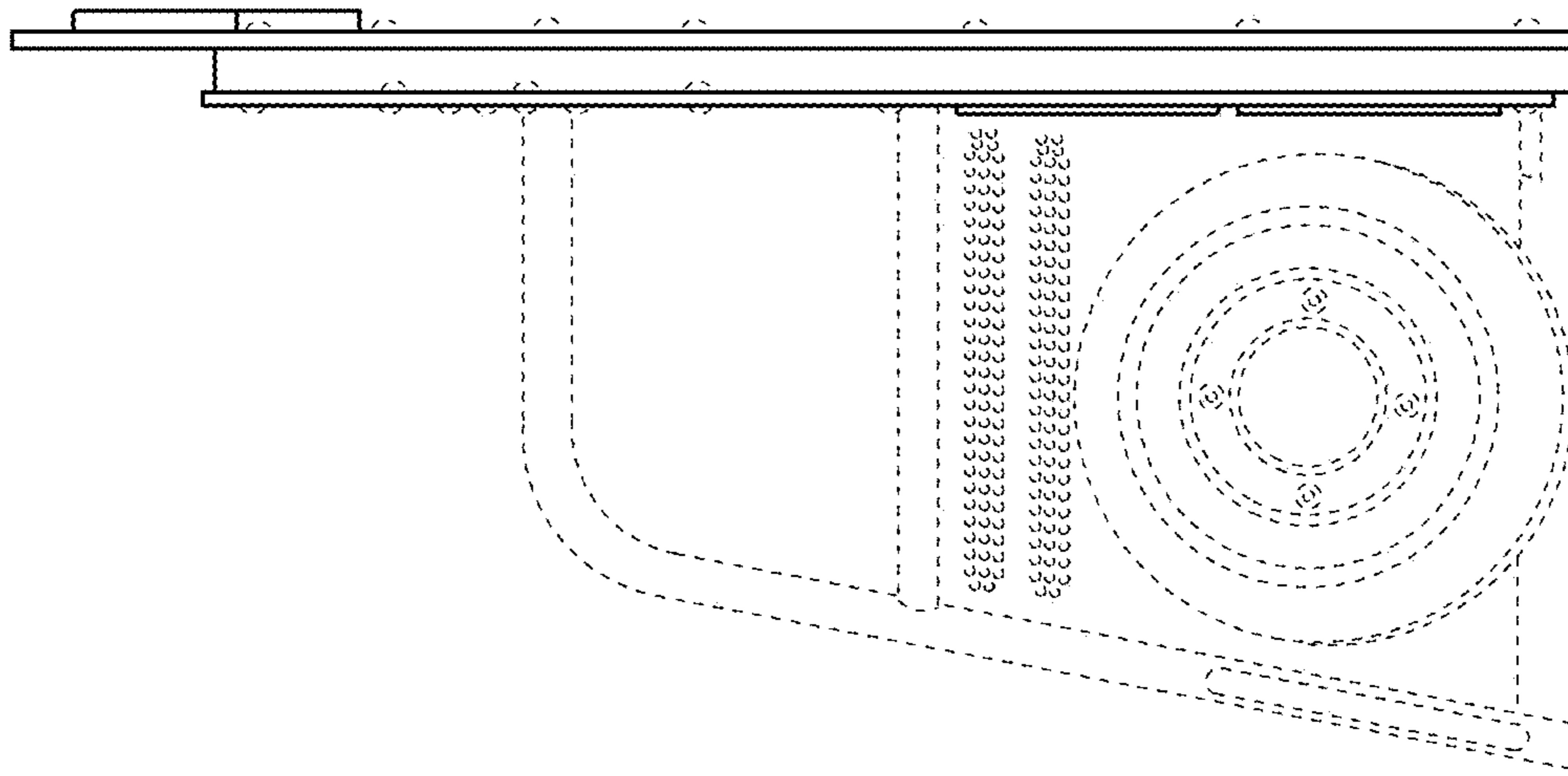


FIG. 6

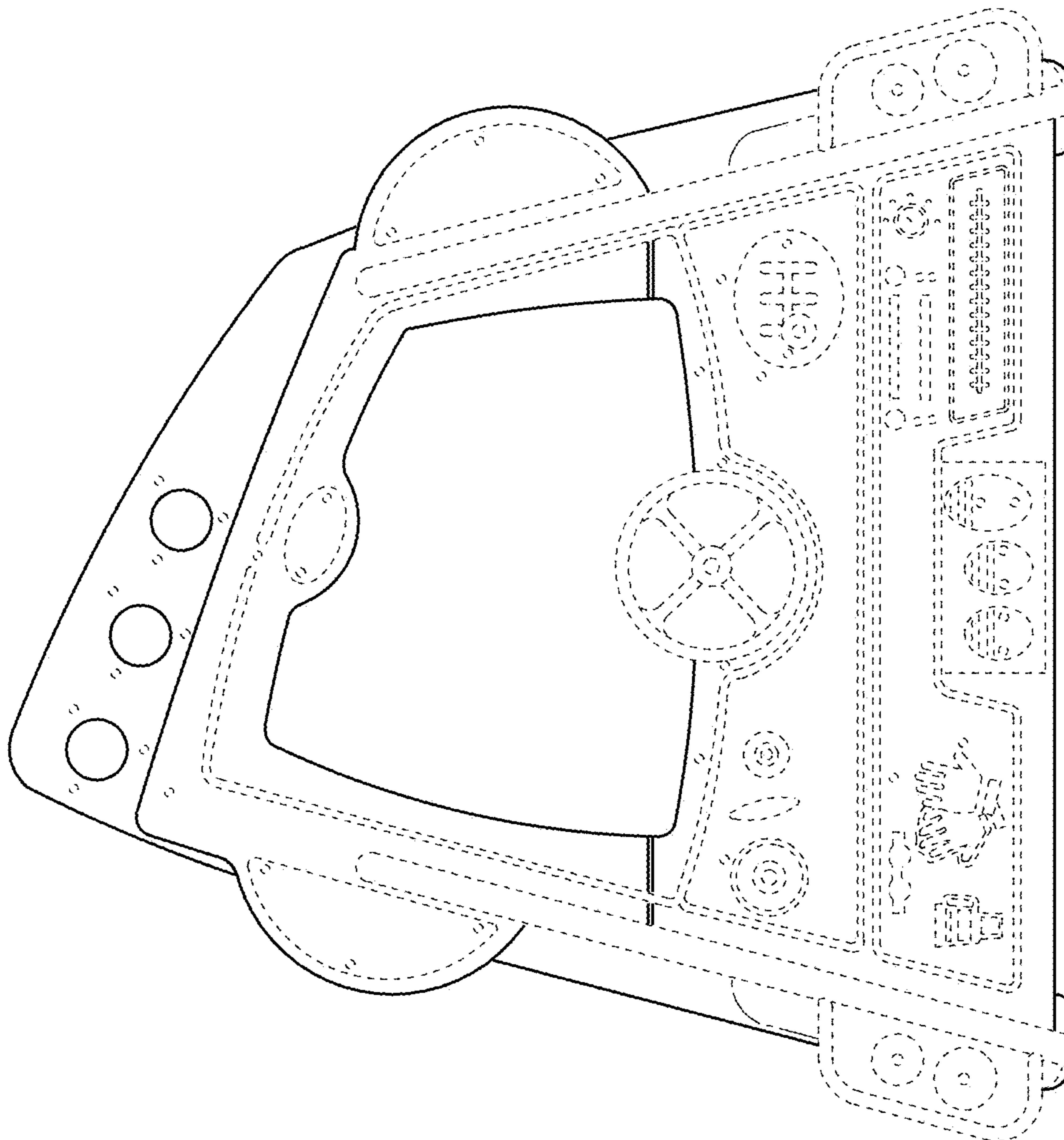


FIG. 5

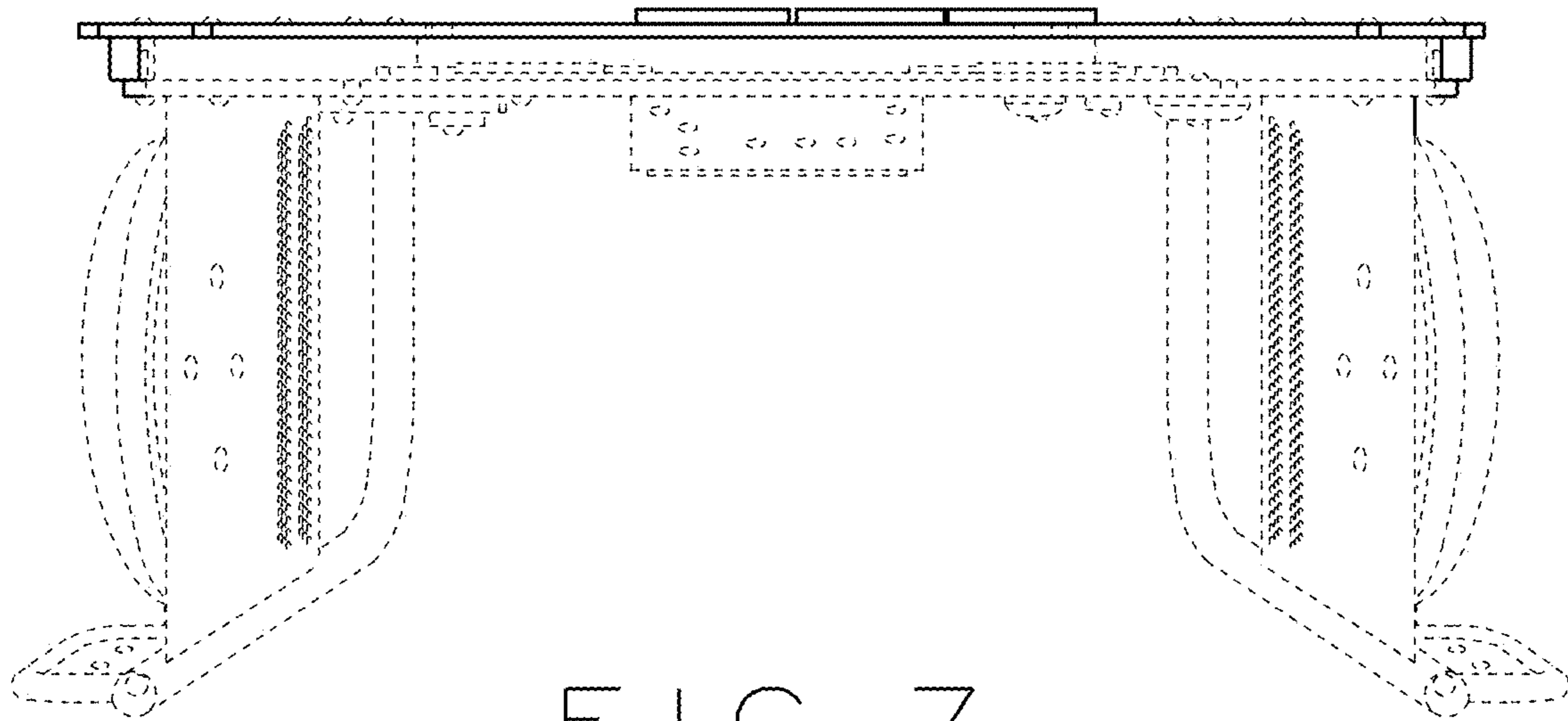


FIG. 7

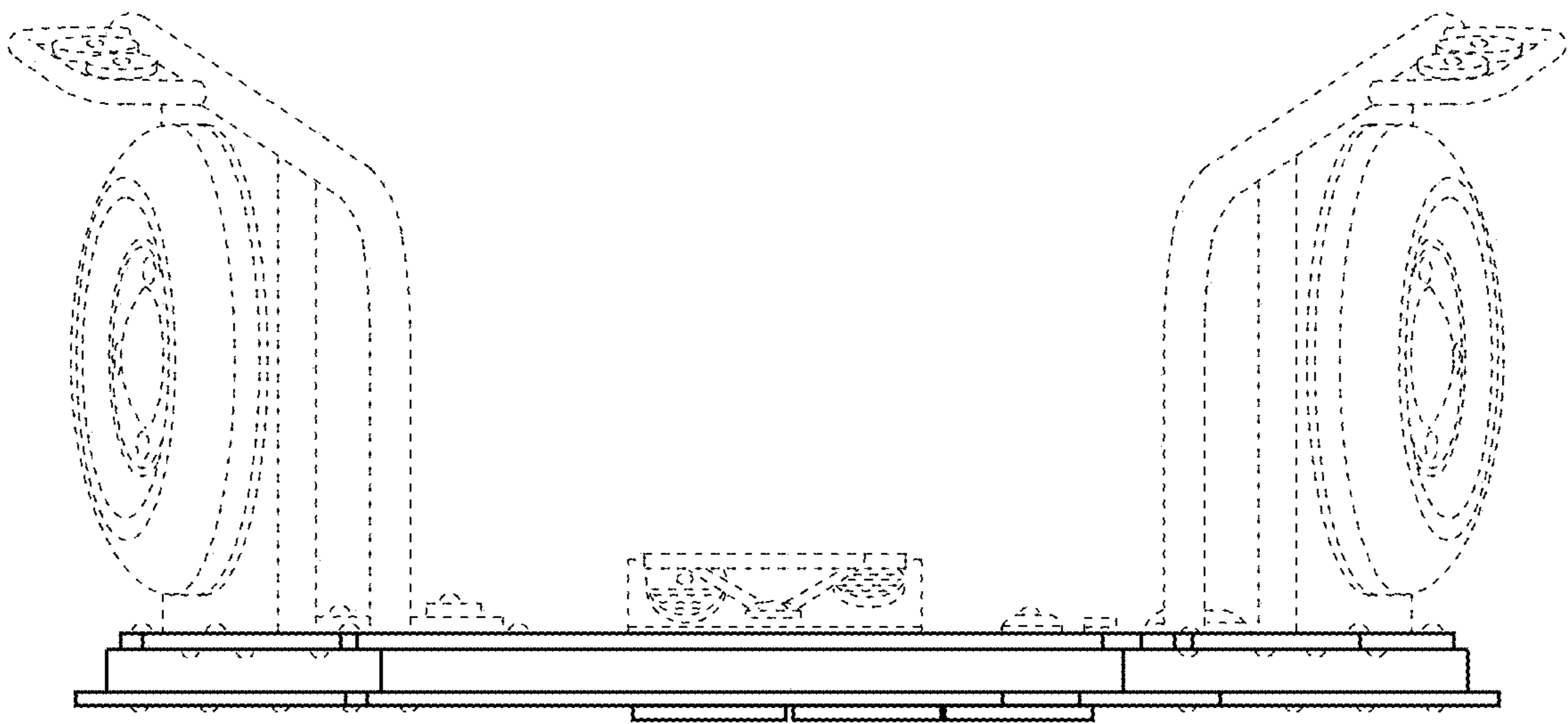


FIG. 8