

US00D956880S

(12) **United States Design Patent** (10) **Patent No.:** **US D956,880 S**
Xu (45) **Date of Patent:** **** Jul. 5, 2022**

(54) **PUZZLE CUBE**
(71) Applicant: **Minghuan Xu, Jian (CN)**
(72) Inventor: **Minghuan Xu, Jian (CN)**
(**) Term: **15 Years**
(21) Appl. No.: **29/691,502**
(22) Filed: **May 16, 2019**
(51) **LOC (13) Cl.** **21-01**
(52) **U.S. Cl.**
USPC **D21/468**
(58) **Field of Classification Search**
USPC D21/468, 478, 479, 480, 499; D19/159;
D14/480.1; 273/153 R, 156, 157 R
CPC A63F 9/06; A63F 13/426; A63F 9/10
See application file for complete search history.

D884,088 S * 5/2020 Leibovich D21/478
D894,291 S * 8/2020 Poulus D21/478
D902,320 S * 11/2020 Garrett D21/478
D903,778 S * 12/2020 Nevgi A63F 9/12
D21/479
D903,784 S * 12/2020 Semling D21/499
D904,528 S * 12/2020 Semling D21/499

(Continued)

OTHER PUBLICATIONS

“Music Magic Tetris Stackable Puzzle Toy”, posted date not available[online], [retrieved Dec. 19, 2020], Retrieved from internet, http://www.feelgift.com/strip-darts.*

Primary Examiner — Mehri F Bajoul
(74) *Attorney, Agent, or Firm* — ScienBiziP, P.C.

(57) **CLAIM**

The ornamental design for a puzzle cube, as shown and described.

(56) **References Cited**

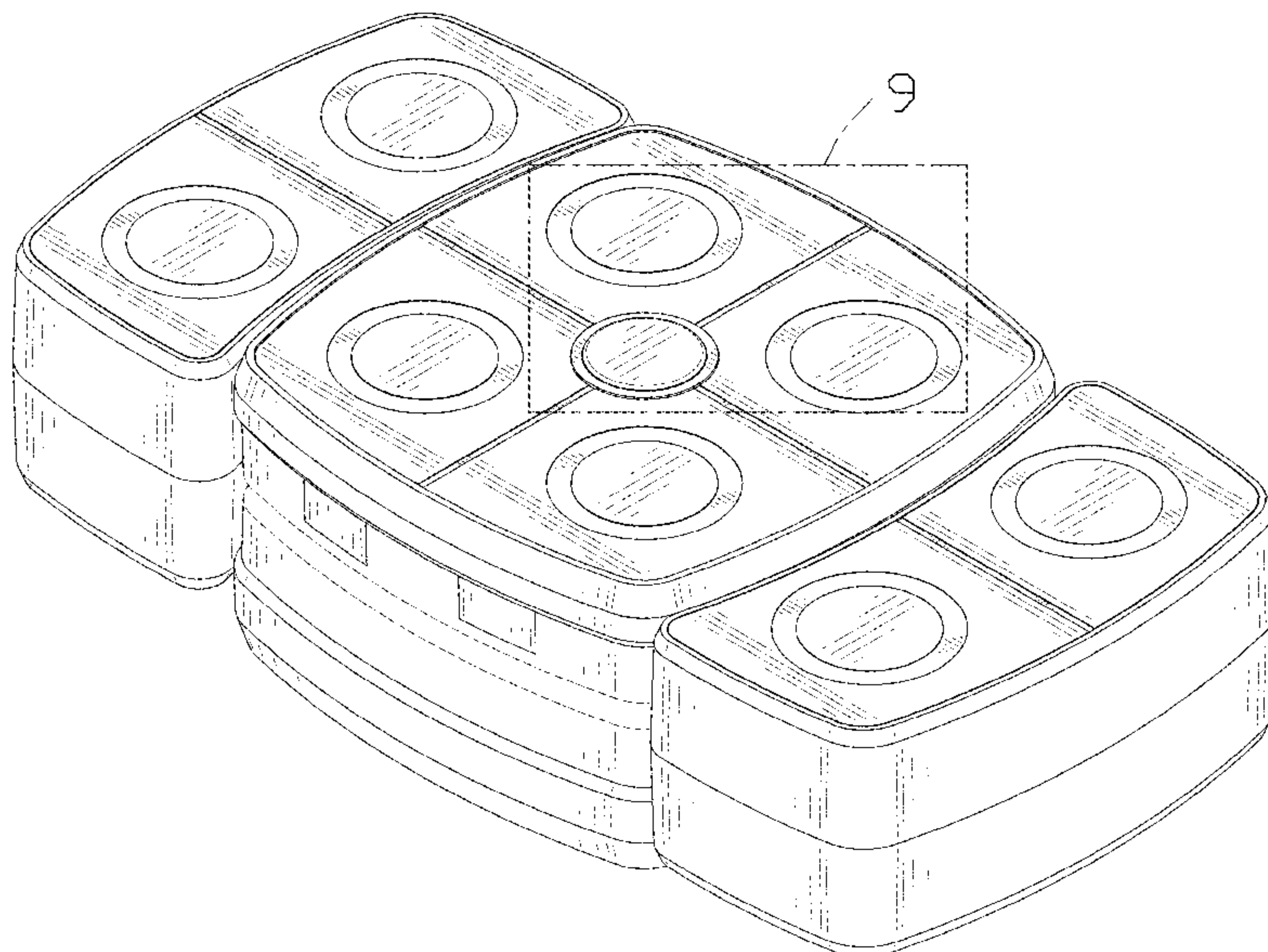
U.S. PATENT DOCUMENTS

3,884,462 A * 5/1975 Rebajes B44C 3/00
472/57
D286,416 S * 10/1986 Kassai D21/499
5,433,448 A * 7/1995 Raphael A63F 3/00094
273/241
D369,100 S * 4/1996 Johnson D21/499
D413,636 S * 9/1999 Laserna Fernandez D21/499
D422,036 S * 3/2000 Laserna Fernandez D21/499
6,186,860 B1 * 2/2001 Liao A63F 9/001
273/153 S
D456,463 S * 4/2002 Sorensen D21/499
D490,483 S * 5/2004 Auberger D21/499
D490,484 S * 5/2004 Auberger D21/499
D495,378 S * 8/2004 Sugden D21/478
D528,607 S * 9/2006 Sugden D21/478
D614,248 S * 4/2010 Pedersen D21/499
D618,291 S * 6/2010 Stott D21/478
D714,401 S * 9/2014 Lin D21/499
D748,741 S * 2/2016 Simonds D21/499
D806,180 S * 12/2017 Simonds D21/499
D818,055 S * 5/2018 Xie D21/499

DESCRIPTION

FIG. 1 is a first perspective view of a puzzle cube, showing my design.
FIG. 2 is a second perspective view thereof.
FIG. 3 is a front elevation view thereof.
FIG. 4 is a rear elevation view thereof.
FIG. 5 is a left side elevation view thereof.
FIG. 6 is a right side elevation view thereof.
FIG. 7 is a top plan view thereof.
FIG. 8 is a bottom plan view thereof.
FIG. 9 is an enlarged view of an area labeled 9 in FIG. 1; and,
FIG. 10 is an enlarged view of an area labeled 10 in FIG. 2.
The even-length dash lines depict portions of the puzzle cube that form no part of the claimed design. The long-short dash lines depict the bounds of magnified portions and form no part of the claimed design.

1 Claim, 10 Drawing Sheets



(56)

References Cited

U.S. PATENT DOCUMENTS

2005/0184458 A1* 8/2005 Sugden A63F 9/0842
273/153 S
2010/0120322 A1* 5/2010 Vicentelli A63H 33/046
446/92

* cited by examiner

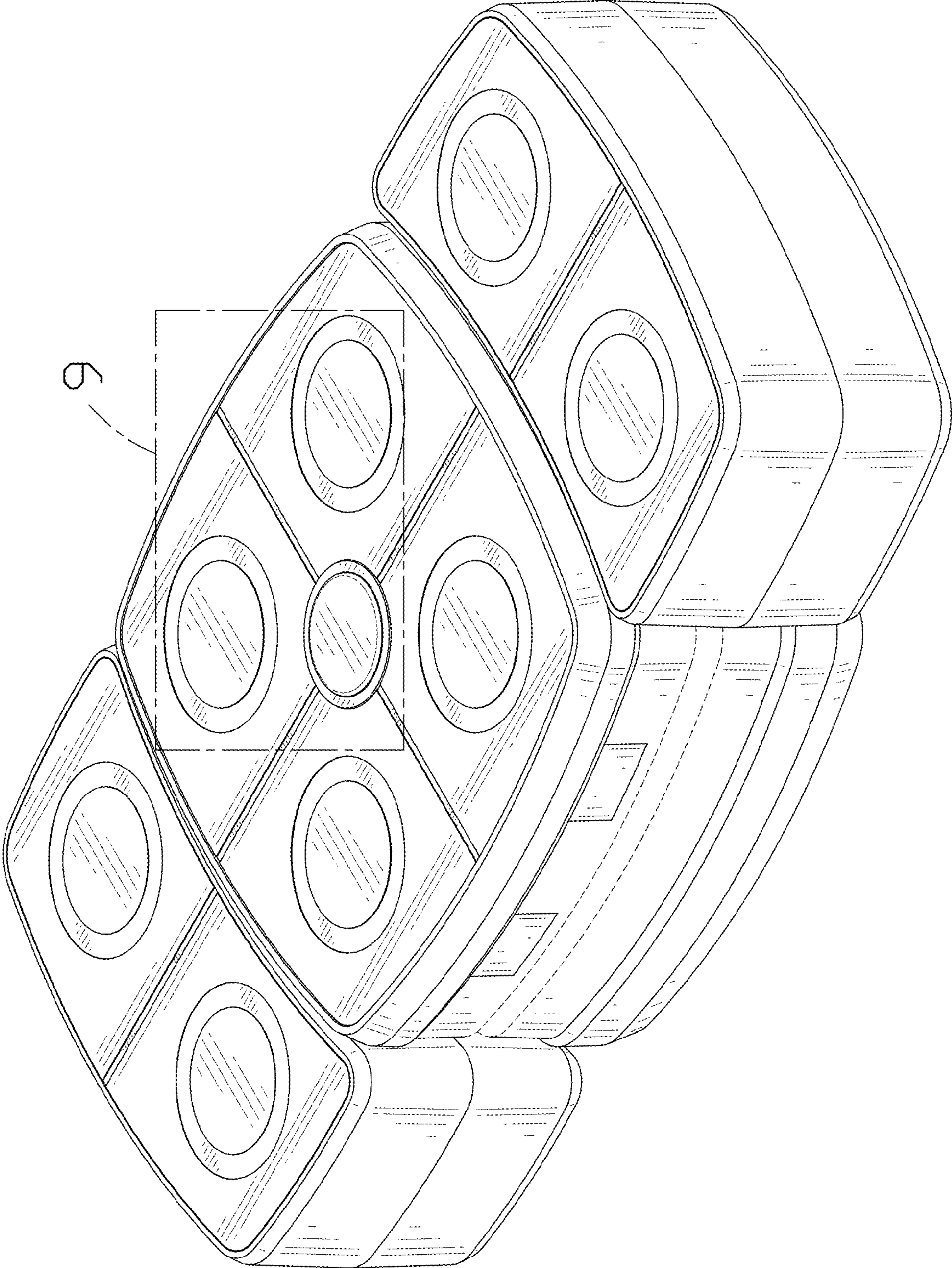


FIG. 1

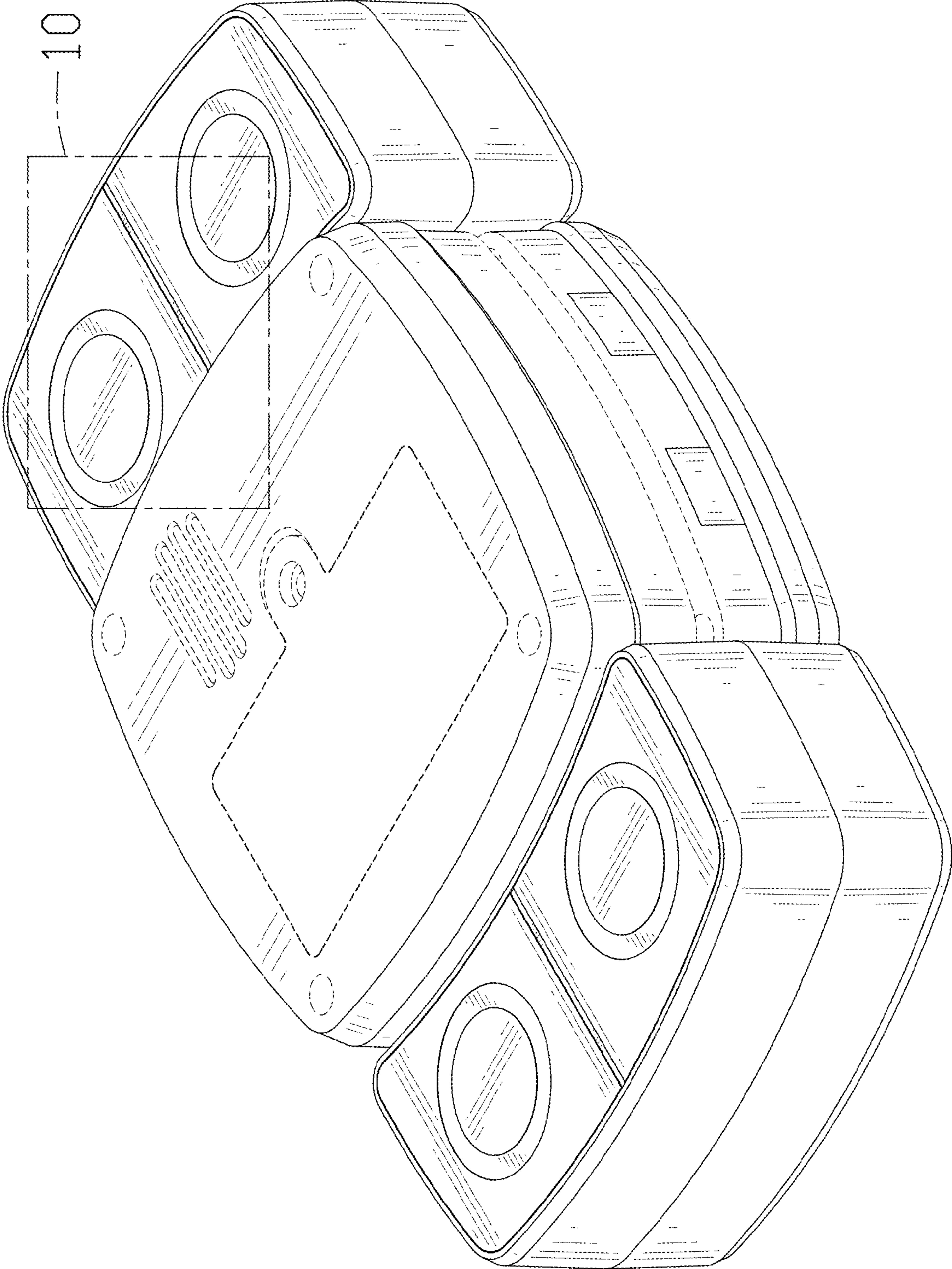


FIG. 2

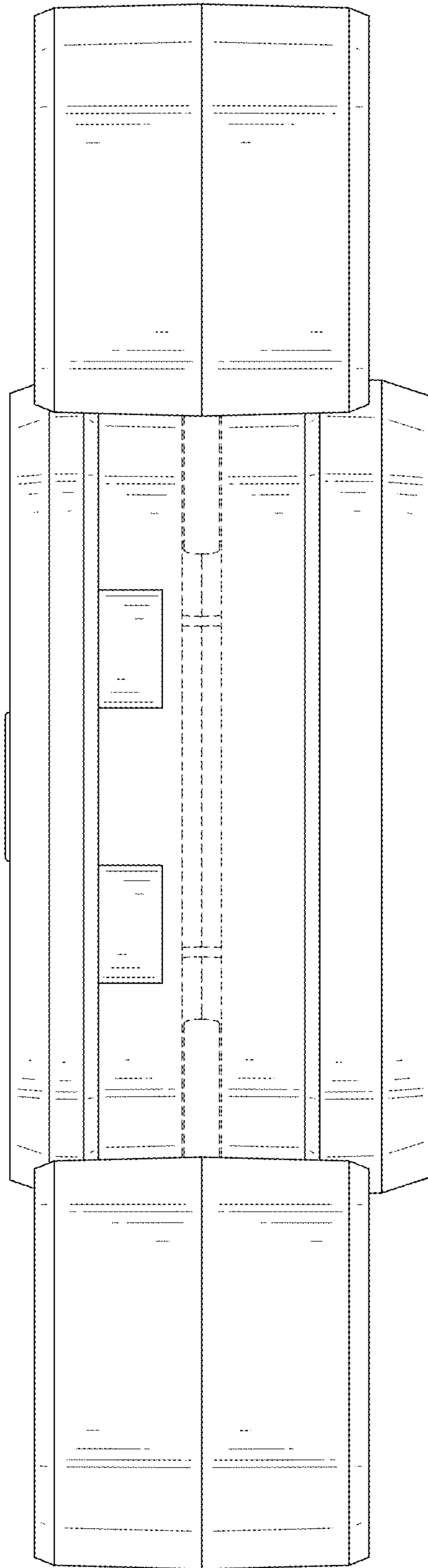


FIG. 3

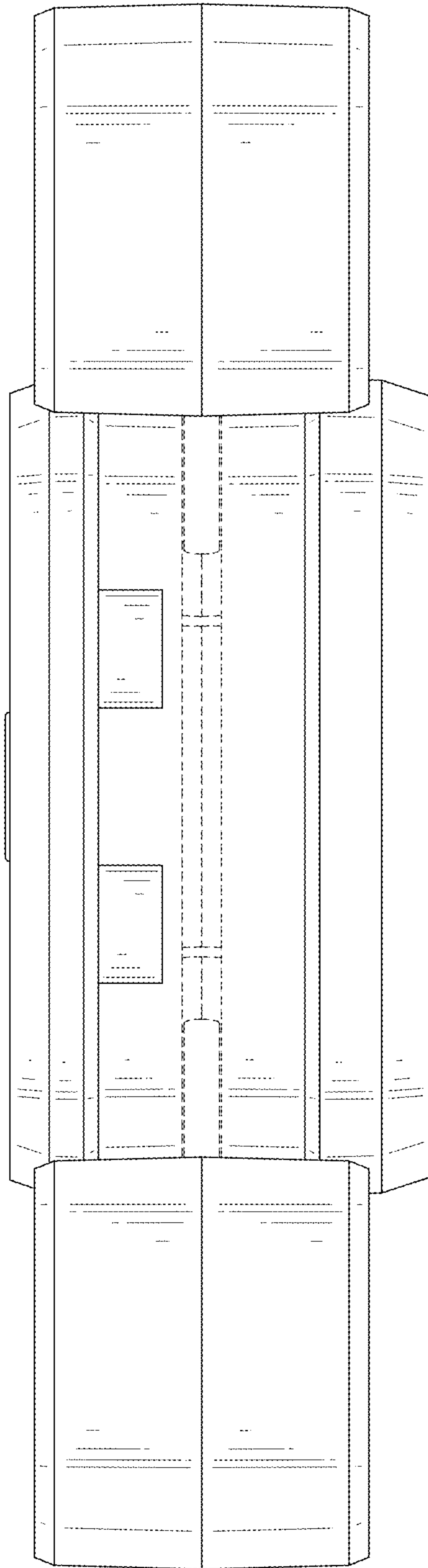


FIG. 4

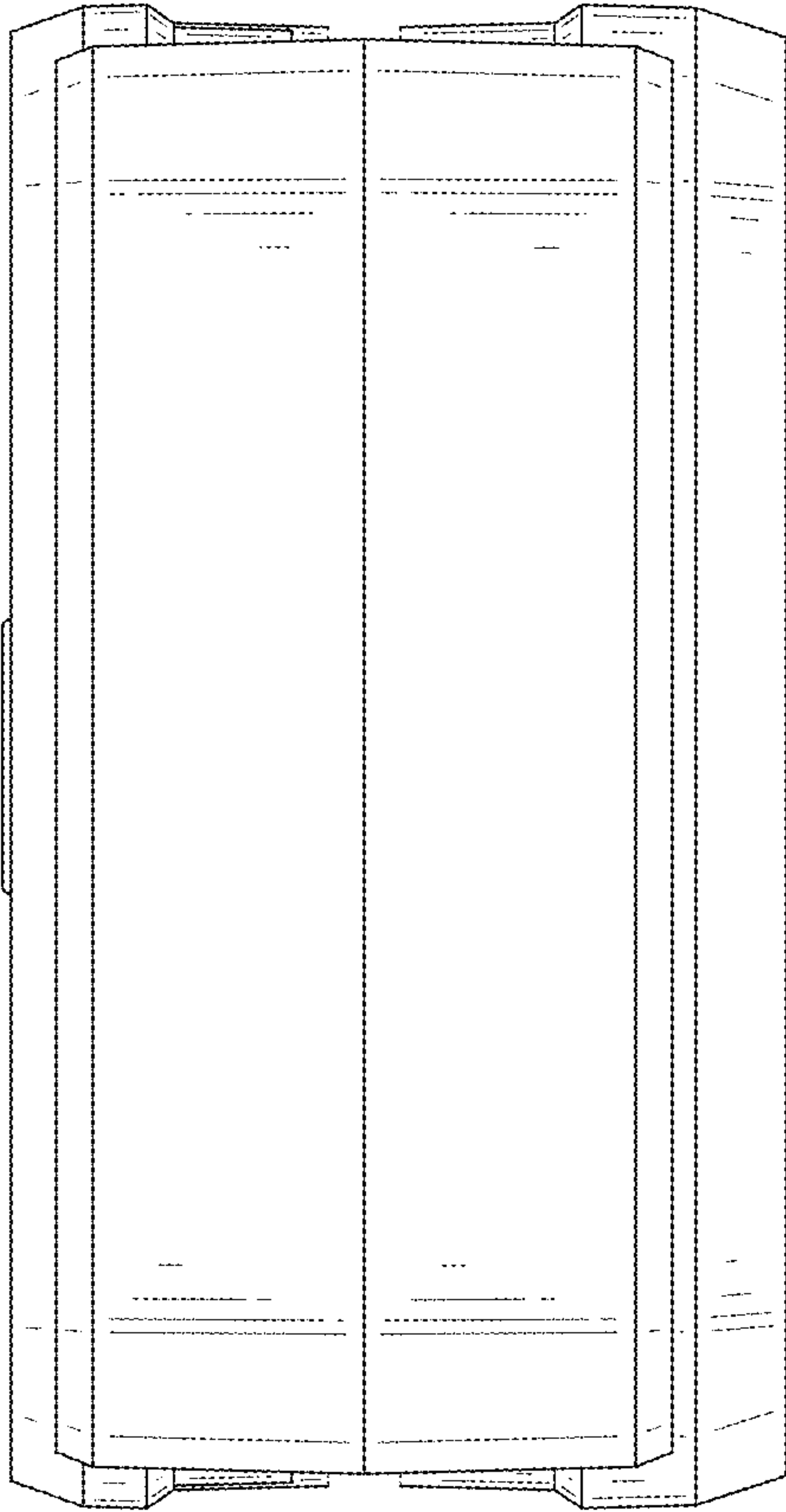


FIG. 5

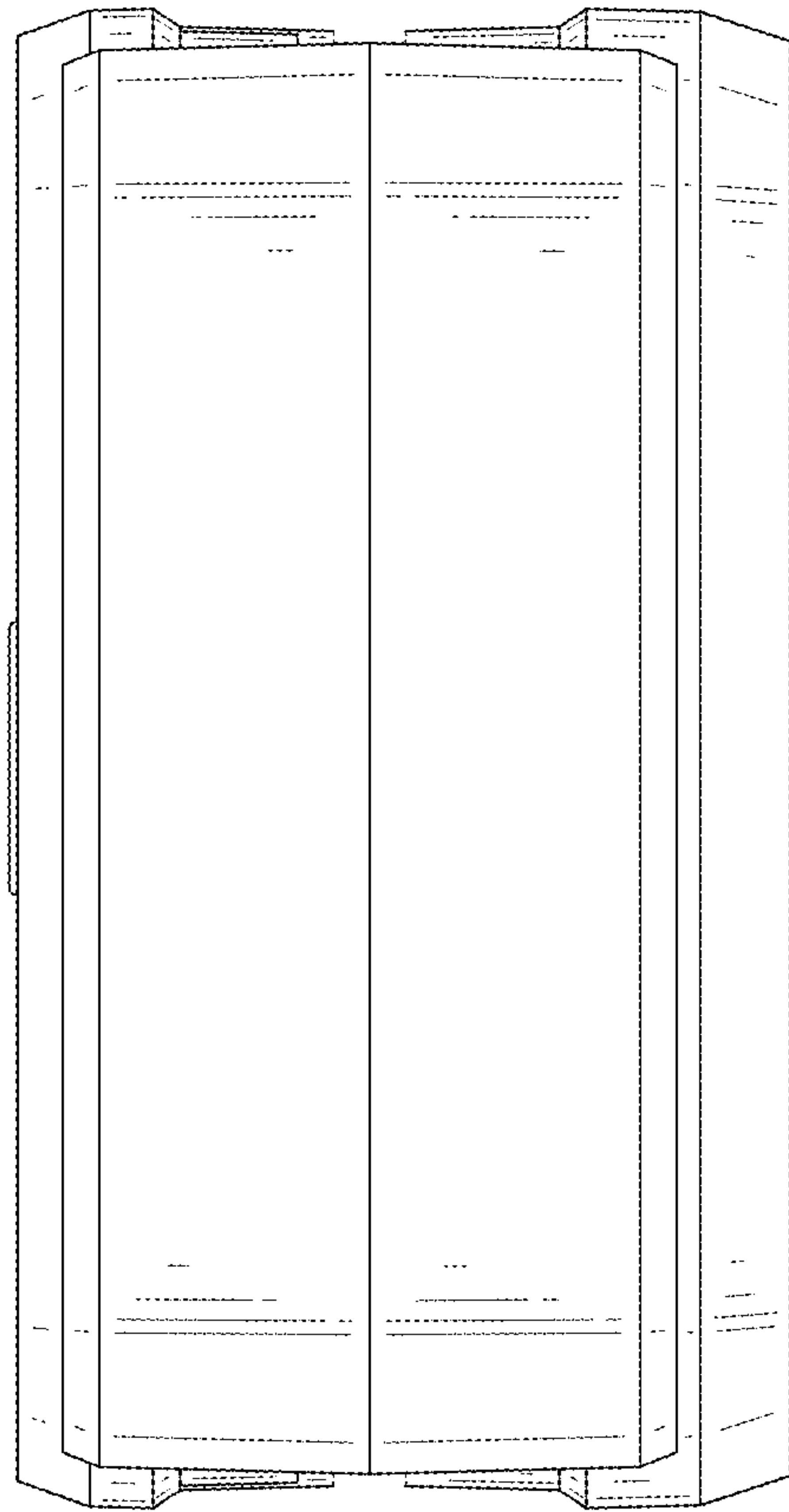


FIG. 6

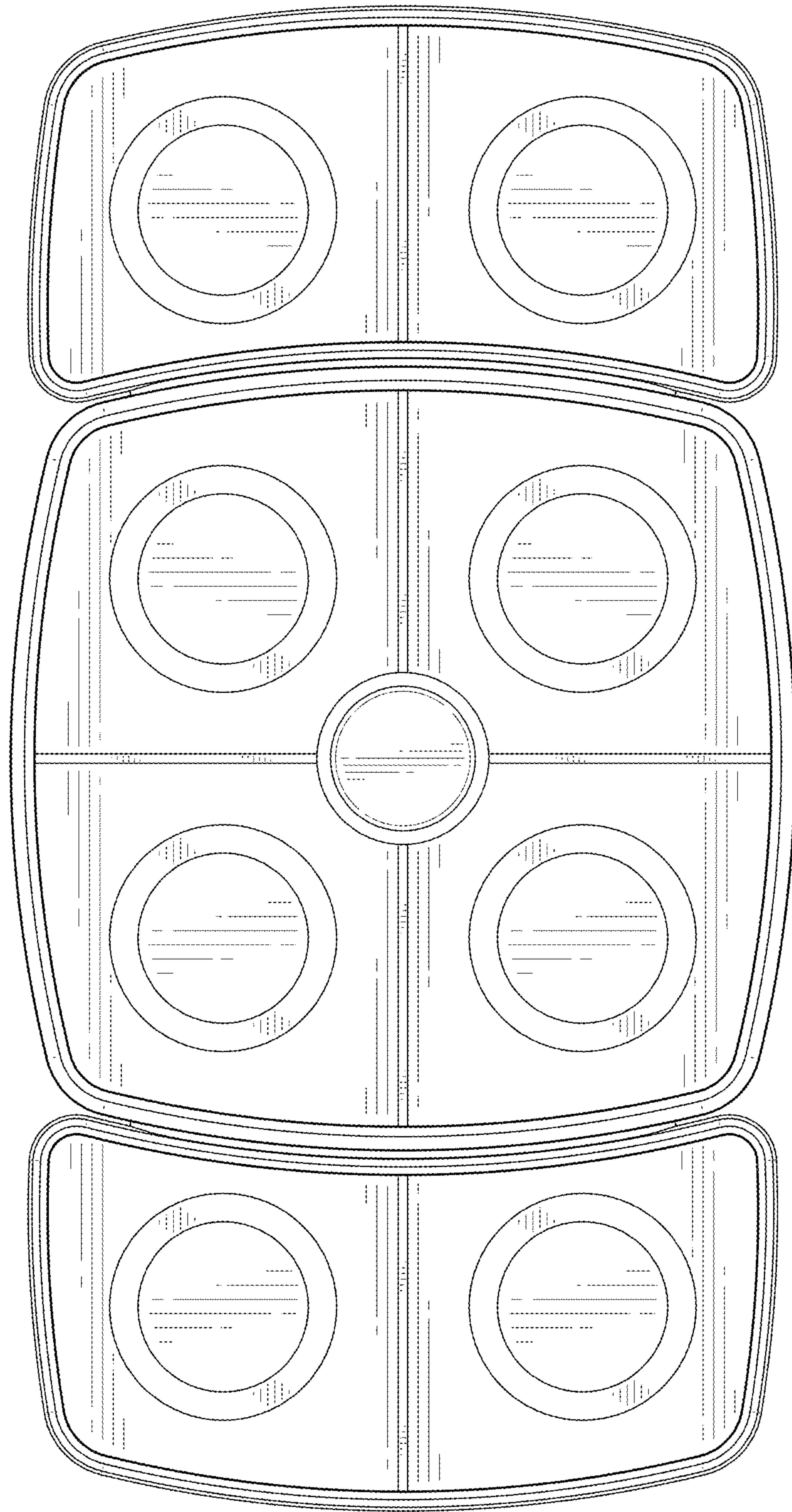


FIG. 7

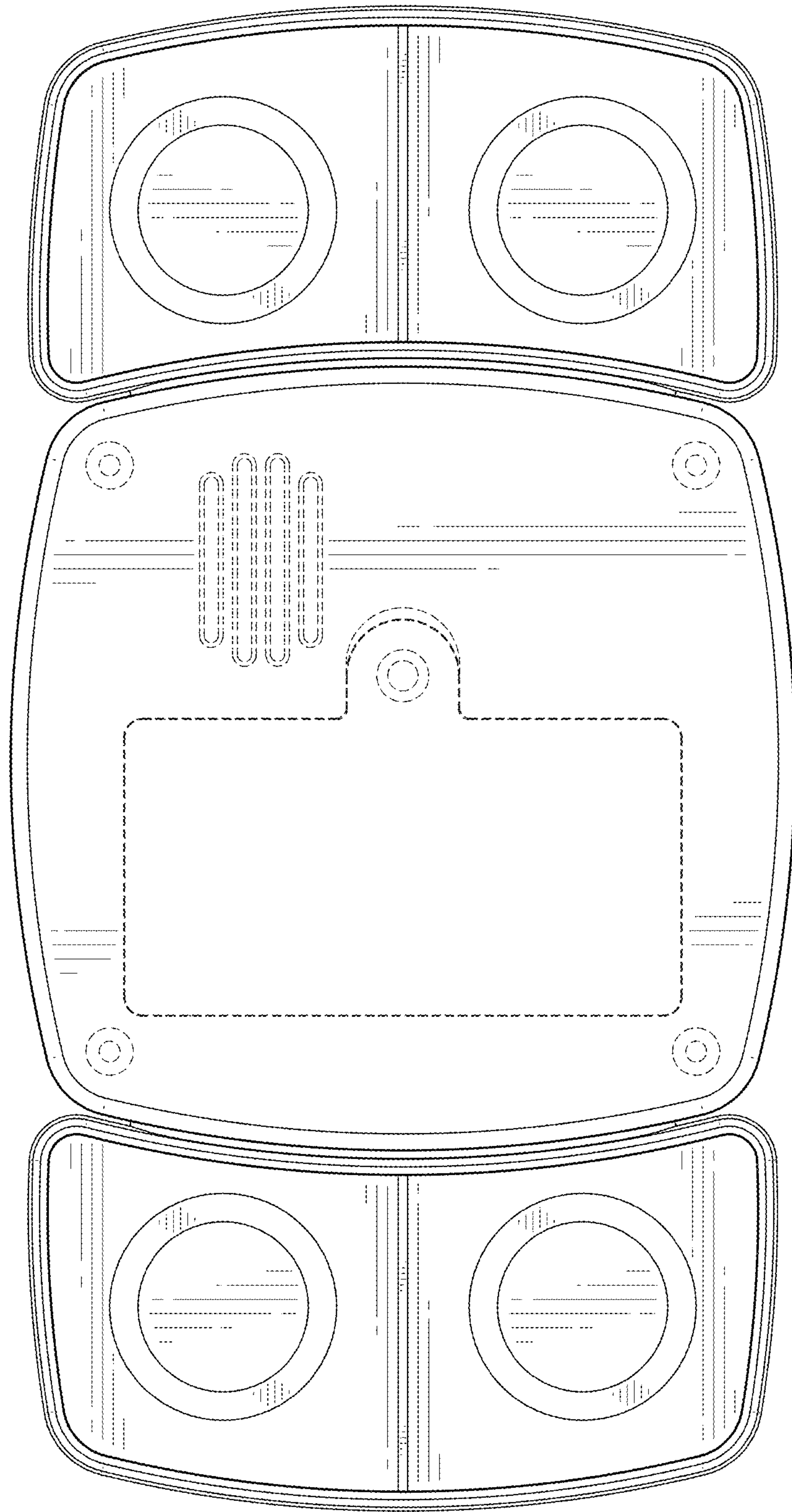


FIG. 8

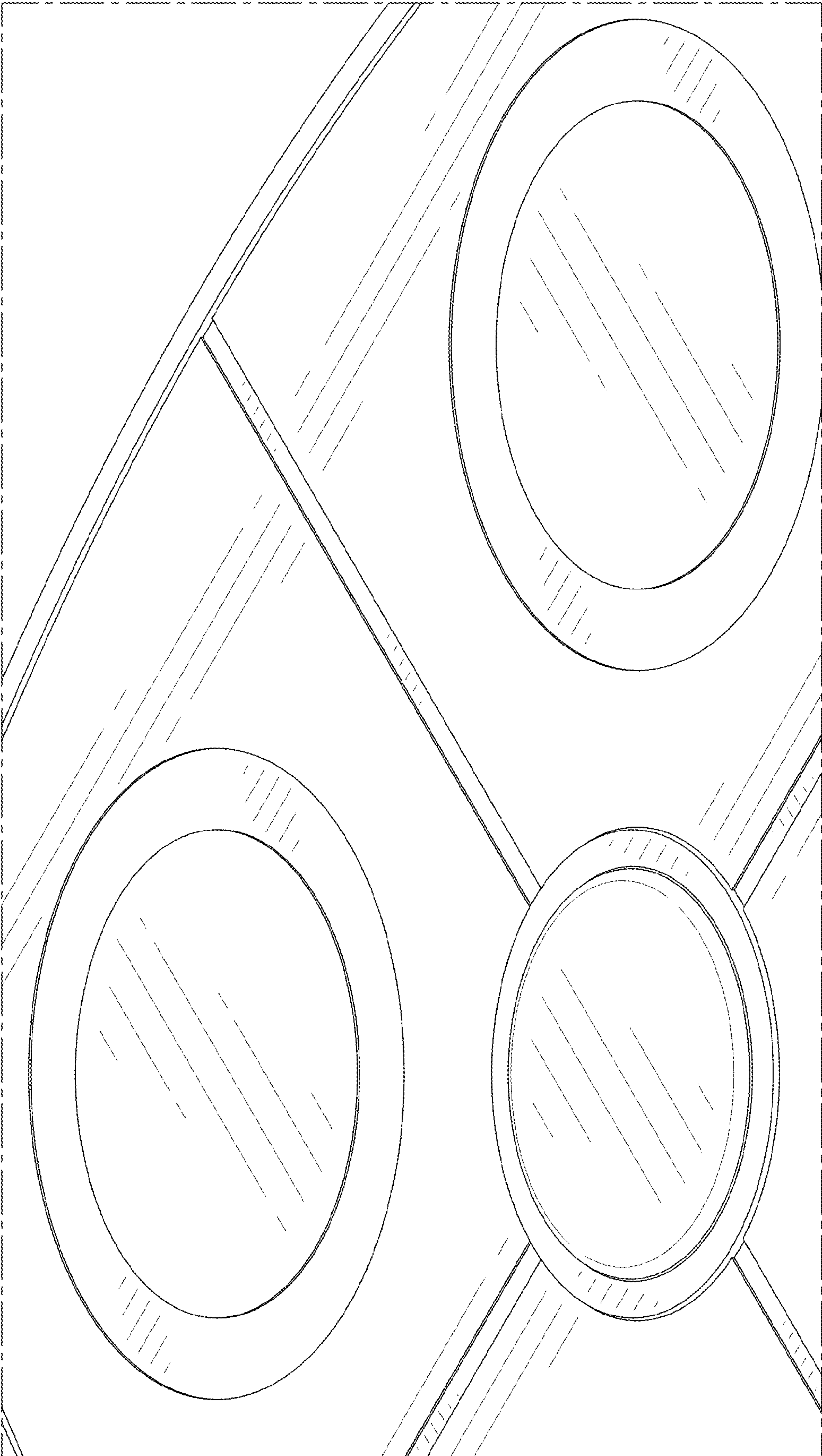


FIG. 9

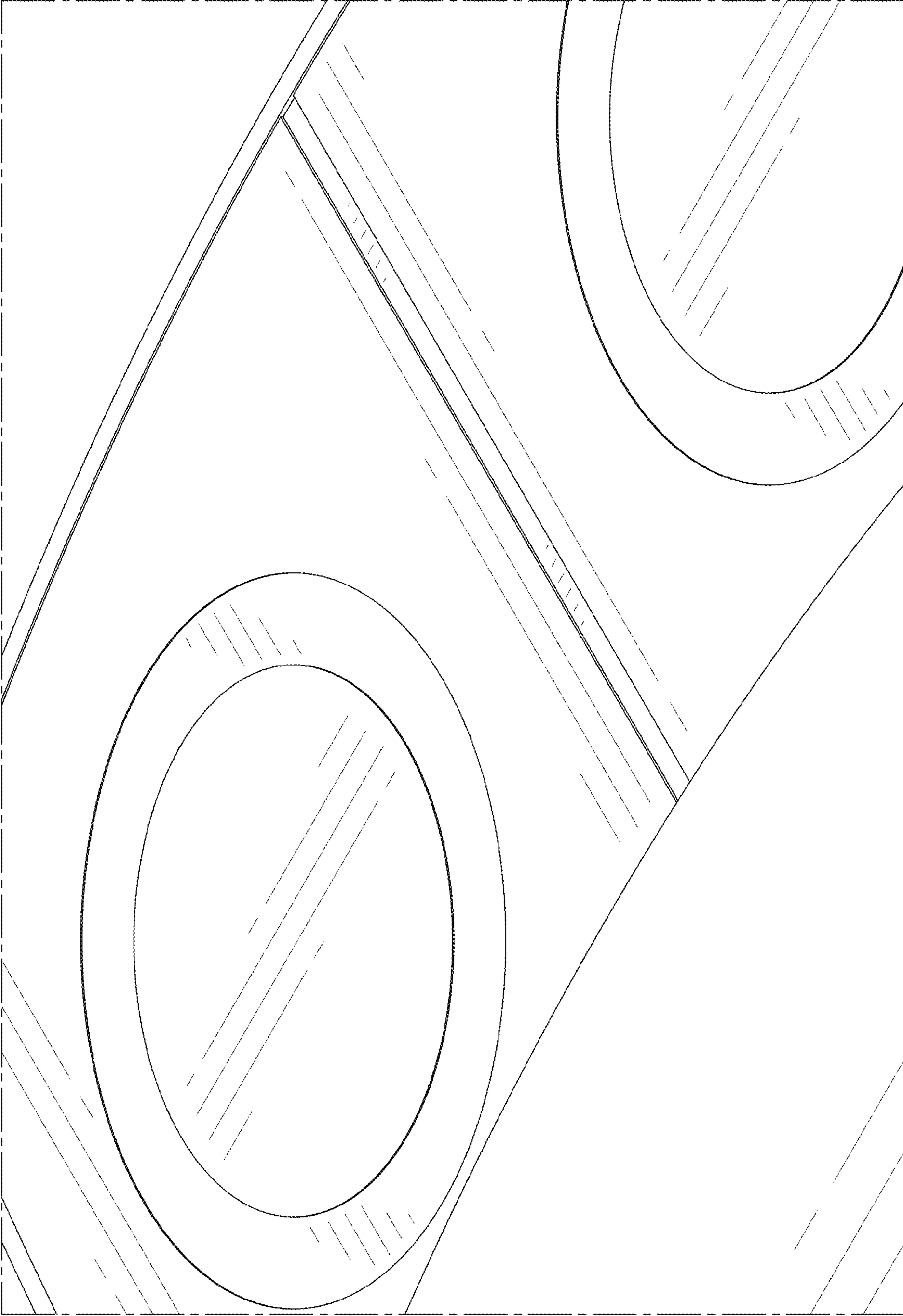


FIG. 10