



US00D956879S

(12) **United States Design Patent** (10) **Patent No.:** **US D956,879 S**
Denoual (45) **Date of Patent:** **** Jul. 5, 2022**

(54) **LOOP FIDGET DEVICE**

<https://www.kickstarter.com/projects/loopylooper/loopy-looper?ref=ddac4a&token=1efa3dcc> (Year: 2021).*

(71) Applicant: **Blue Orange Edition**, Donville les Bains (FR)

(Continued)

(72) Inventor: **Thierry Denoual**, Donville les Bains (FR)

Primary Examiner — Dana K Weiland
Assistant Examiner — Emily Anna Saunders

(**) Term: **15 Years**

(21) Appl. No.: **29/729,559**

(57) **CLAIM**

(22) Filed: **Mar. 27, 2020**

The ornamental design for a loop fidget device, as shown and described.

(51) **LOC (13) Cl.** **21-01**

(52) **U.S. Cl.**
USPC **D21/455; D21/457**

DESCRIPTION

(58) **Field of Classification Search**
USPC D30/160; D21/362, 408, 441, 443, 444, D21/455, 456, 457, 461, 466, 468, 487, D21/488, 492, 503, 681, 682, 684, 691; D12/316; D7/608; 63/14.1, 15, 38; 411/10, 12; 156/95, 118, 110.1; D11/40, D11/86, 93; D23/269; D8/399
CPC A01K 15/024-025; A63B 21/0608; A63B 67/08; A63B 21/22; A63F 7/3622; A63H 33/00; Y10T 24/4764
See application file for complete search history.

FIG. 1 is a front right perspective view of a loop fidget device;
FIG. 2 is a front elevational view of a loop fidget device;
FIG. 3 is a left side elevational view of a loop fidget device;
FIG. 4 is a rear elevational view of a loop fidget device;
FIG. 5 is a right-side elevational view of a loop fidget device;
FIG. 6 is a top plan view of a loop fidget device;
FIG. 7 is a bottom plan view of a loop fidget device;
FIG. 8 is a front right perspective view of an alternate condition of a loop fidget device with a clipped-in ball;
FIG. 9 is a front elevational view of an alternate condition of a loop fidget device with a clipped-in ball;
FIG. 10 is a left side elevational view of an alternate condition of a loop fidget device with a clipped-in ball;
FIG. 11 is a rear elevational view of an alternate condition of a loop fidget device with a clipped-in ball;
FIG. 12 is a right-side elevational view of an alternate condition of a loop fidget device with a clipped-in ball;
FIG. 13 is a top plan view of an alternate condition of a loop fidget device with a clipped-in ball; and,
FIG. 14 is a bottom plan view of an alternate condition of a loop fidget device with a clipped-in ball.
The dashed lines define the bounds of the loop fidget device and form no part of the claim.

(56) **References Cited**

U.S. PATENT DOCUMENTS

1,259,889 A * 3/1918 MacDonald A63H 17/34
446/409
1,407,863 A * 2/1922 Hochenauer, Jr. B42F 3/04
402/20

(Continued)

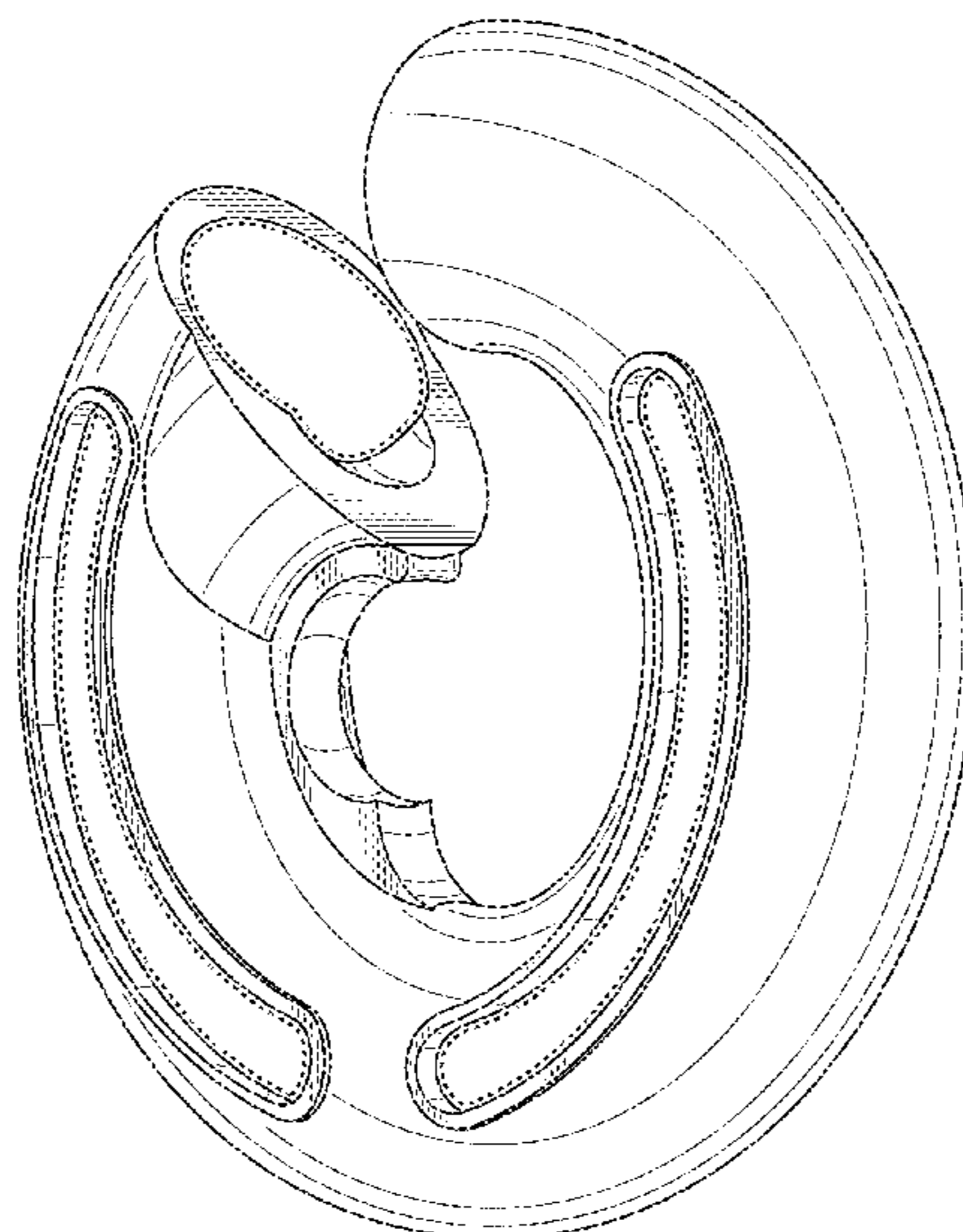
FOREIGN PATENT DOCUMENTS

EM 008216030-0001 * 10/2020

OTHER PUBLICATIONS

Kickstarter Loopy Looper, available on Kickstarter.com, funding started: Feb. 9, 2021, [site visited Oct. 22, 2021], available URL:

1 Claim, 8 Drawing Sheets



(56)

References Cited

U.S. PATENT DOCUMENTS

D171,950 S * 4/1954 Moore D24/194
 3,060,627 A * 10/1962 Seretny A63B 67/08
 446/170
 3,901,503 A * 8/1975 Klose A63B 21/0608
 482/93
 D242,057 S * 10/1976 Sun D21/444
 4,429,487 A * 2/1984 Taylor A63B 21/0608
 446/168
 D305,412 S * 1/1990 Zemer D11/87
 4,921,447 A * 5/1990 Capp H01R 43/0207
 439/585
 4,958,970 A * 9/1990 Rose F16B 31/028
 411/12
 5,009,193 A * 4/1991 Gordon A01K 15/025
 119/707
 D335,553 S * 5/1993 Conner D30/160
 D335,554 S * 5/1993 Conner D21/408
 D361,352 S * 8/1995 Veraguth D21/456
 D462,098 S * 8/2002 Fazeli D21/456
 6,455,790 B1 * 9/2002 Ogden H01H 29/20
 200/226
 D606,896 S * 12/2009 Traglio D11/40
 D724,705 S * 3/2015 Nielson D23/269
 D745,097 S * 12/2015 Webb D21/682
 9,730,428 B1 * 8/2017 Kreischer A01K 15/025

D797,937 S * 9/2017 Dacosta D24/171
 11,123,648 B1 * 9/2021 Denoual A63H 33/00
 2002/0177507 A1 * 11/2002 Carbone A63B 23/025
 482/10
 2005/0096200 A1 * 5/2005 Amann A63B 21/22
 482/110
 2009/0095229 A1 * 4/2009 Plante A01K 15/025
 119/707
 2012/0272921 A1 * 11/2012 Santarsiero A63F 7/386
 119/707
 2016/0242388 A1 * 8/2016 Chiou A01K 15/024

OTHER PUBLICATIONS

Loopy Looper Review Kickstarter, available on The Friendly Review YouTube channel, date posted Feb. 9, 2021, [site visted 1022/21], available URL: <https://www.youtube.com/watch?v=hYDNsfn1hk4> (Year: 2021).*

Kickstarter Alert: Fidget and Focus with Loopy Looper, available on GeekDad.com, posted Feb. 9, 2021, [site visited Oct. 22, 2021], available URL: <https://geekdad.com/2021/02/kickstarter-alert-fidget-and-focus-with-loopy-loopers/> (Year: 2021).*

Blue Orange Games Fidget Review, available on the-gadgeteer.com, posted on Apr. 17, 2021, [site visited on Oct. 22, 2021], available URL: <https://the-gadgeteer.com/2021/04/17/blue-orange-games-loopy-looper-marble-spinner-fidget-toy-review/> (Year: 2021).*

* cited by examiner

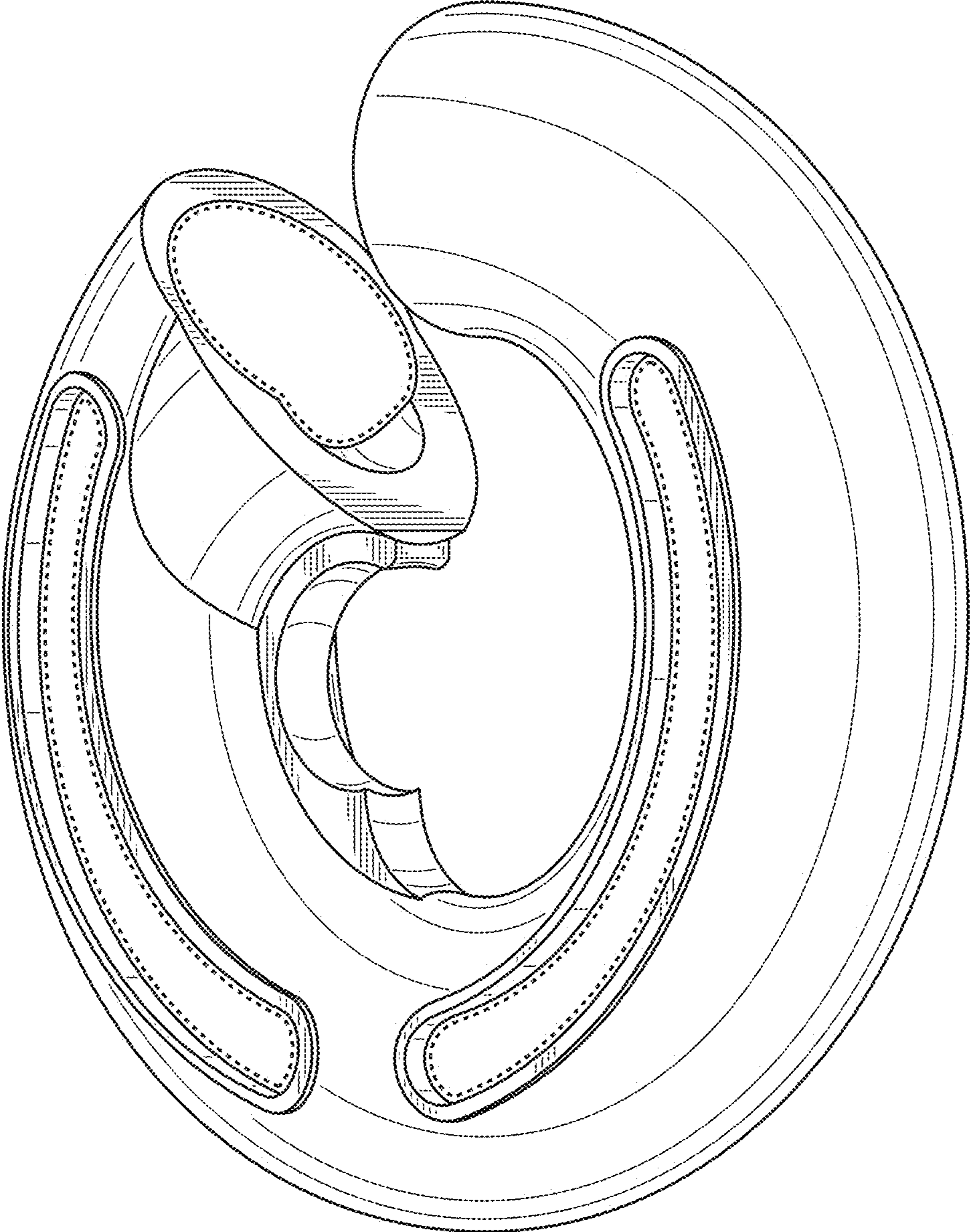


FIG. 1

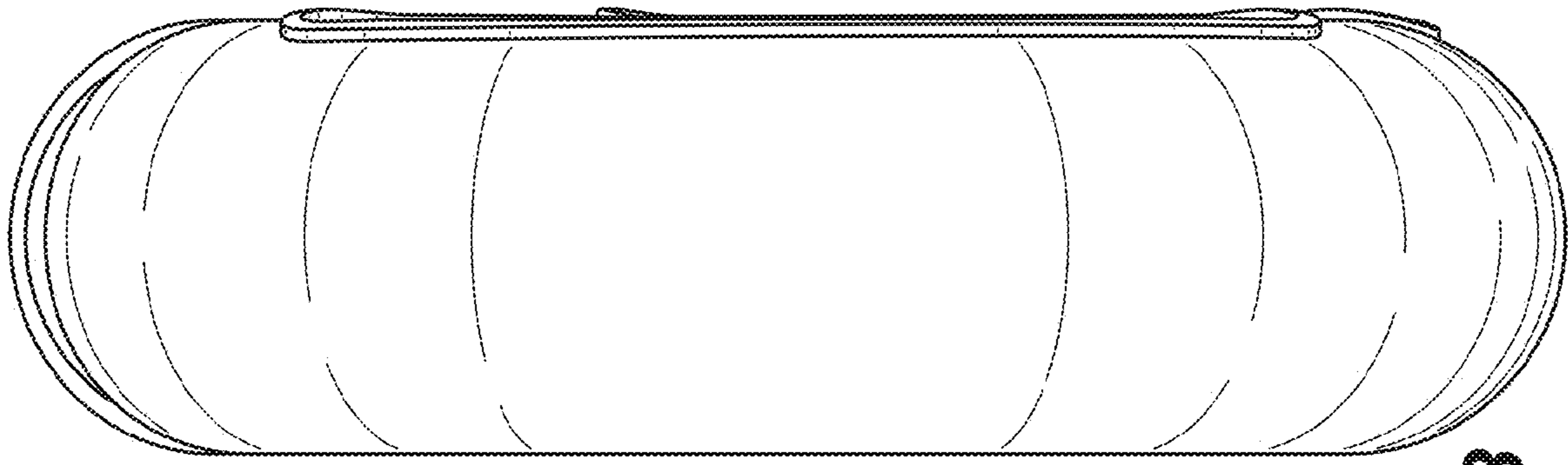


FIG. 3

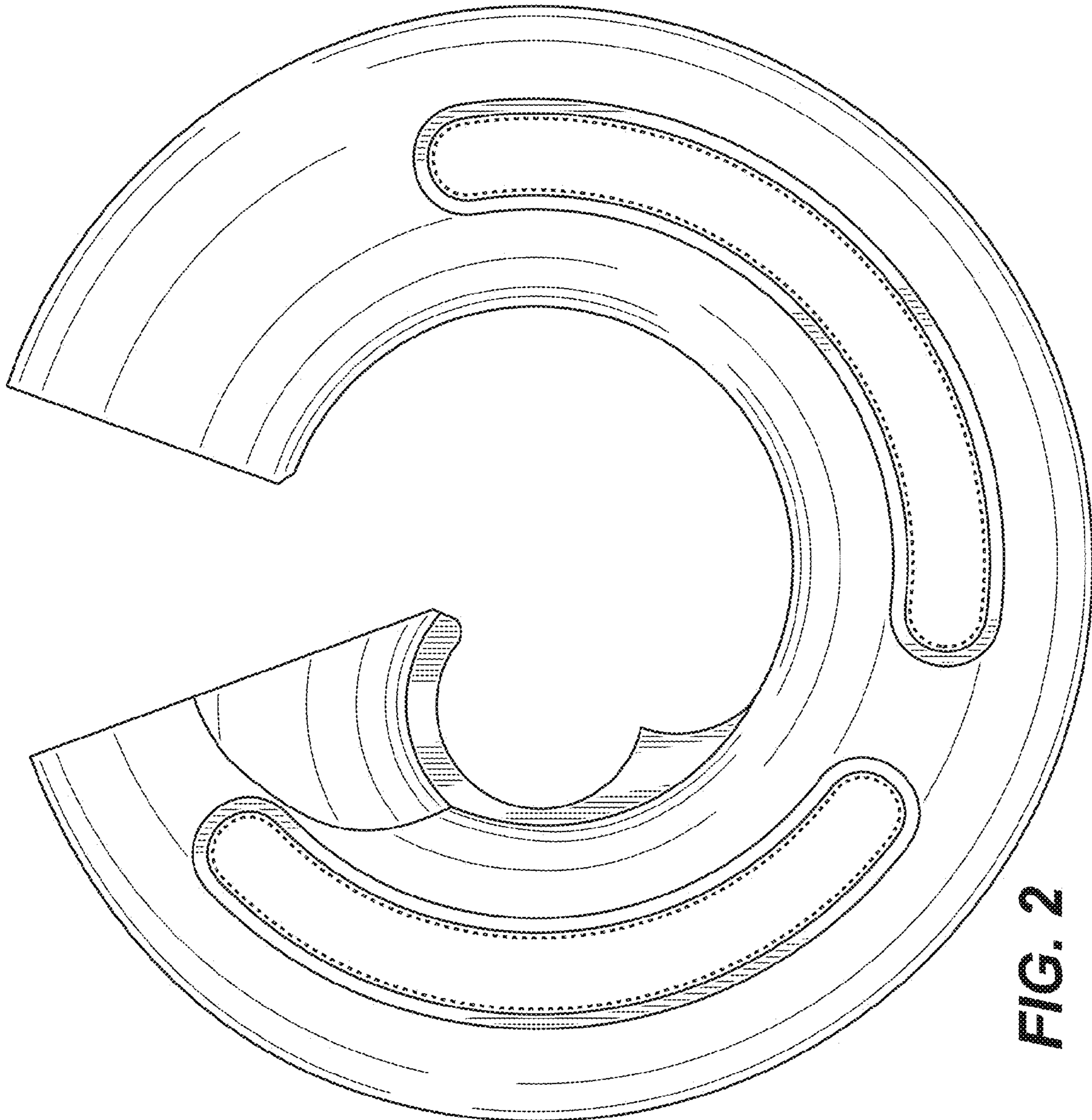


FIG. 2

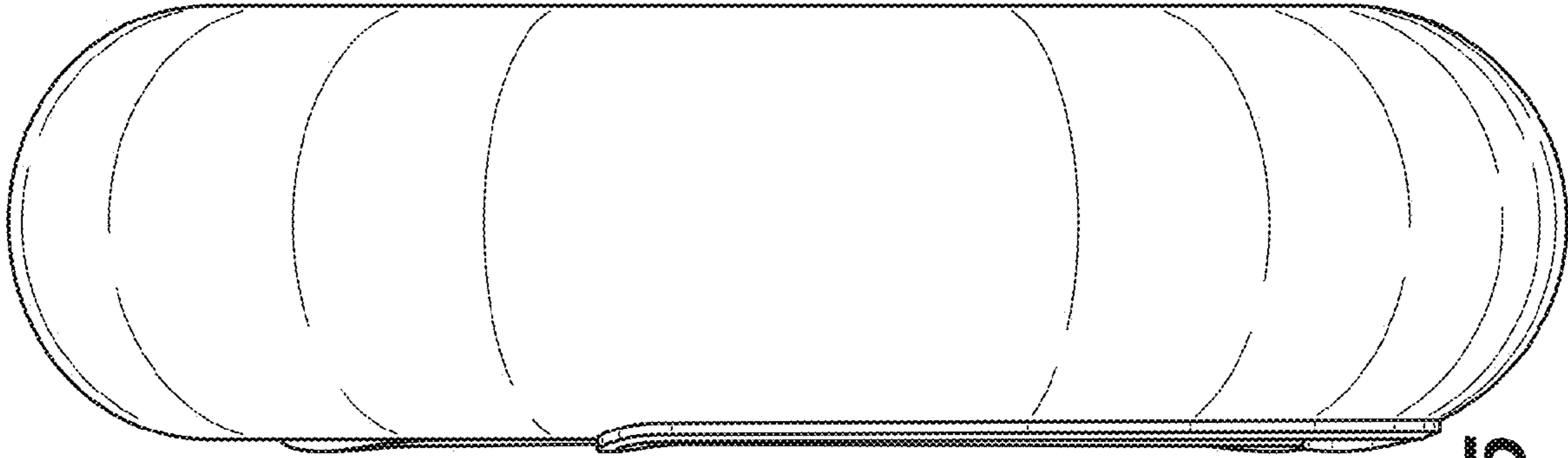


FIG. 5

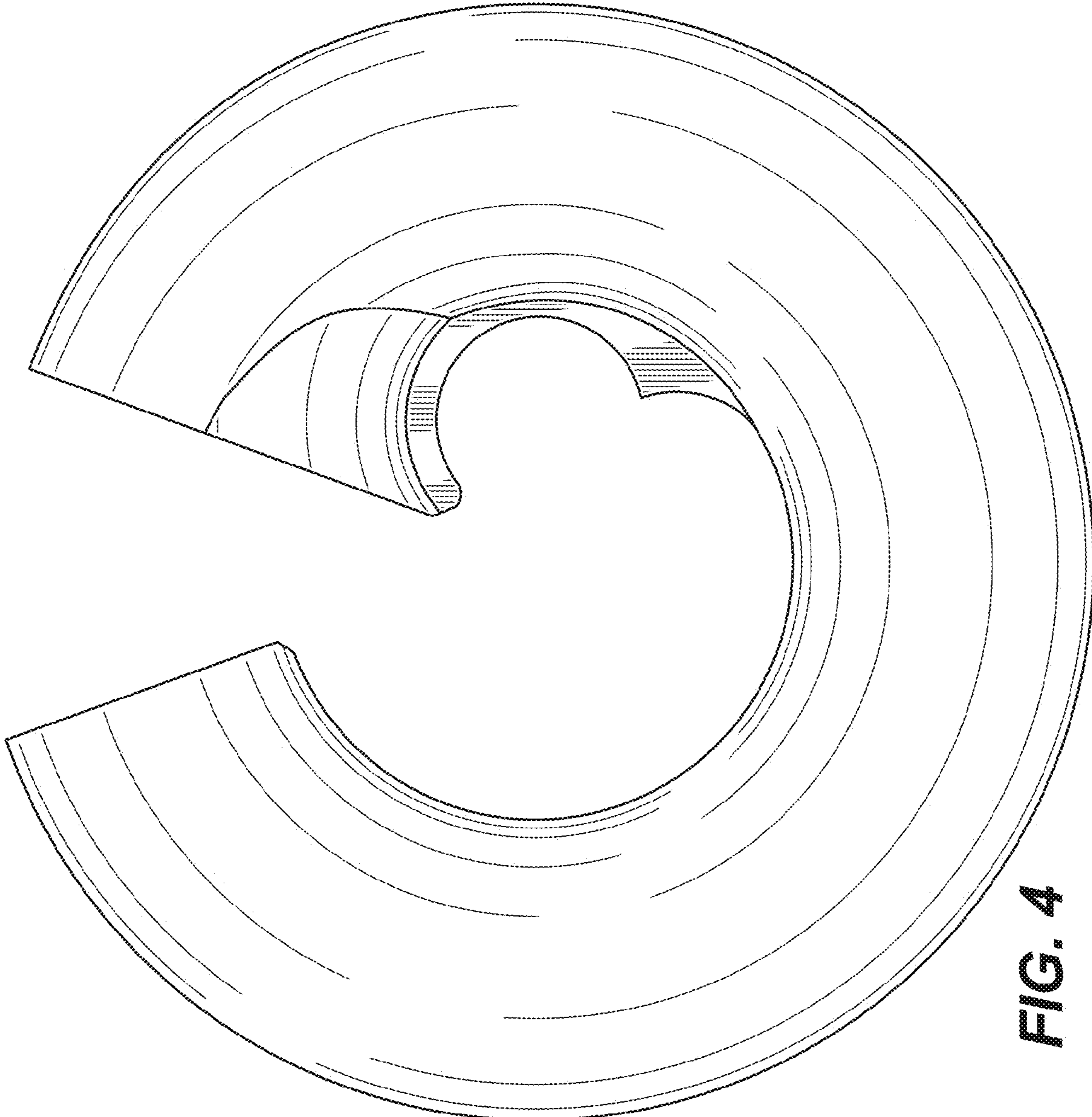


FIG. 4

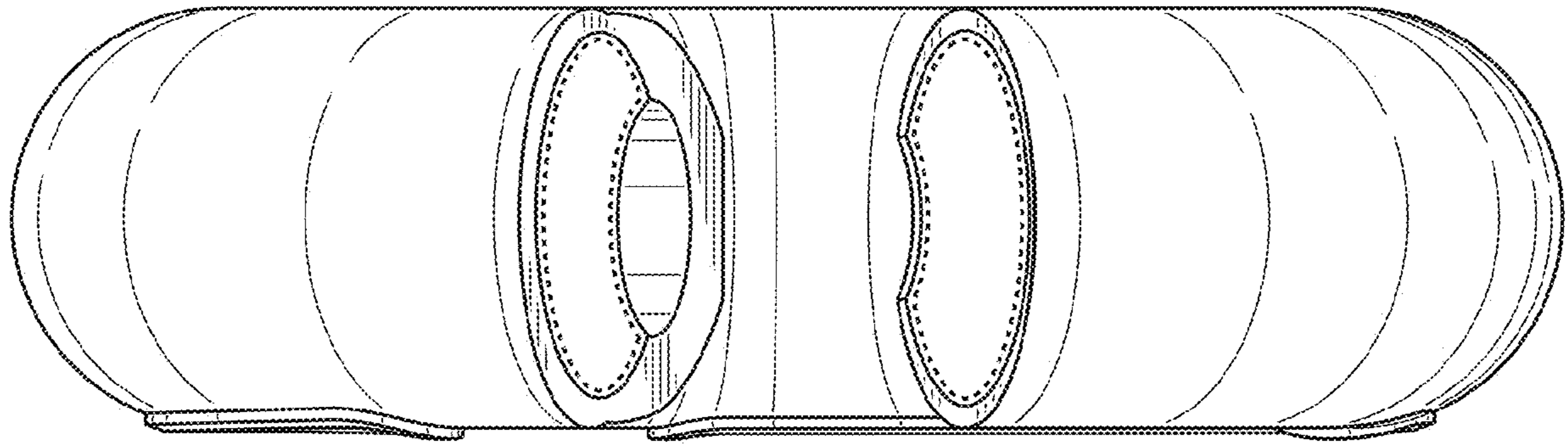


FIG. 6

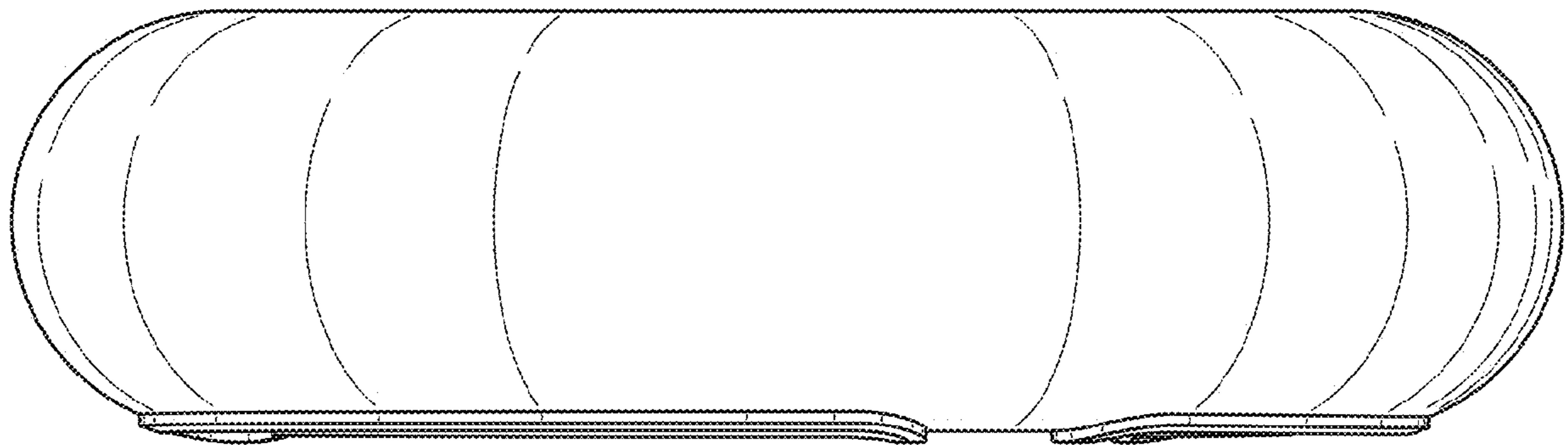


FIG. 7

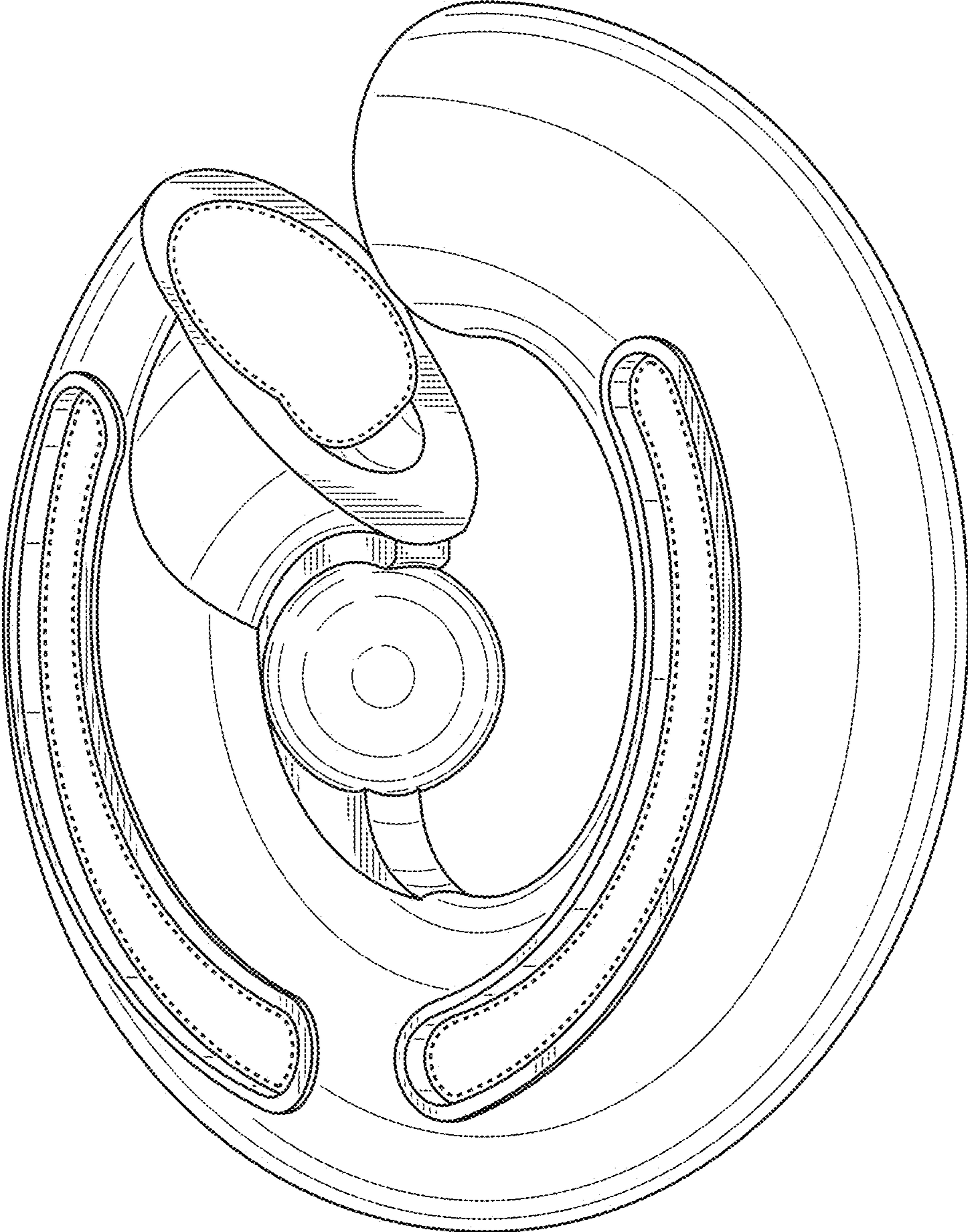


FIG. 8

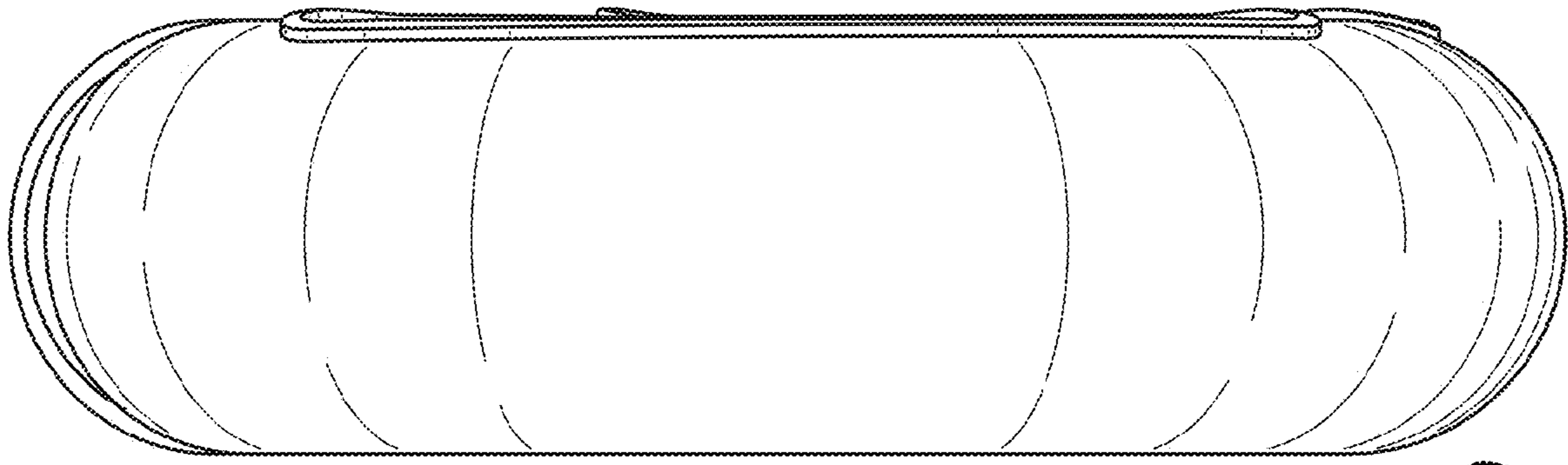


FIG. 10

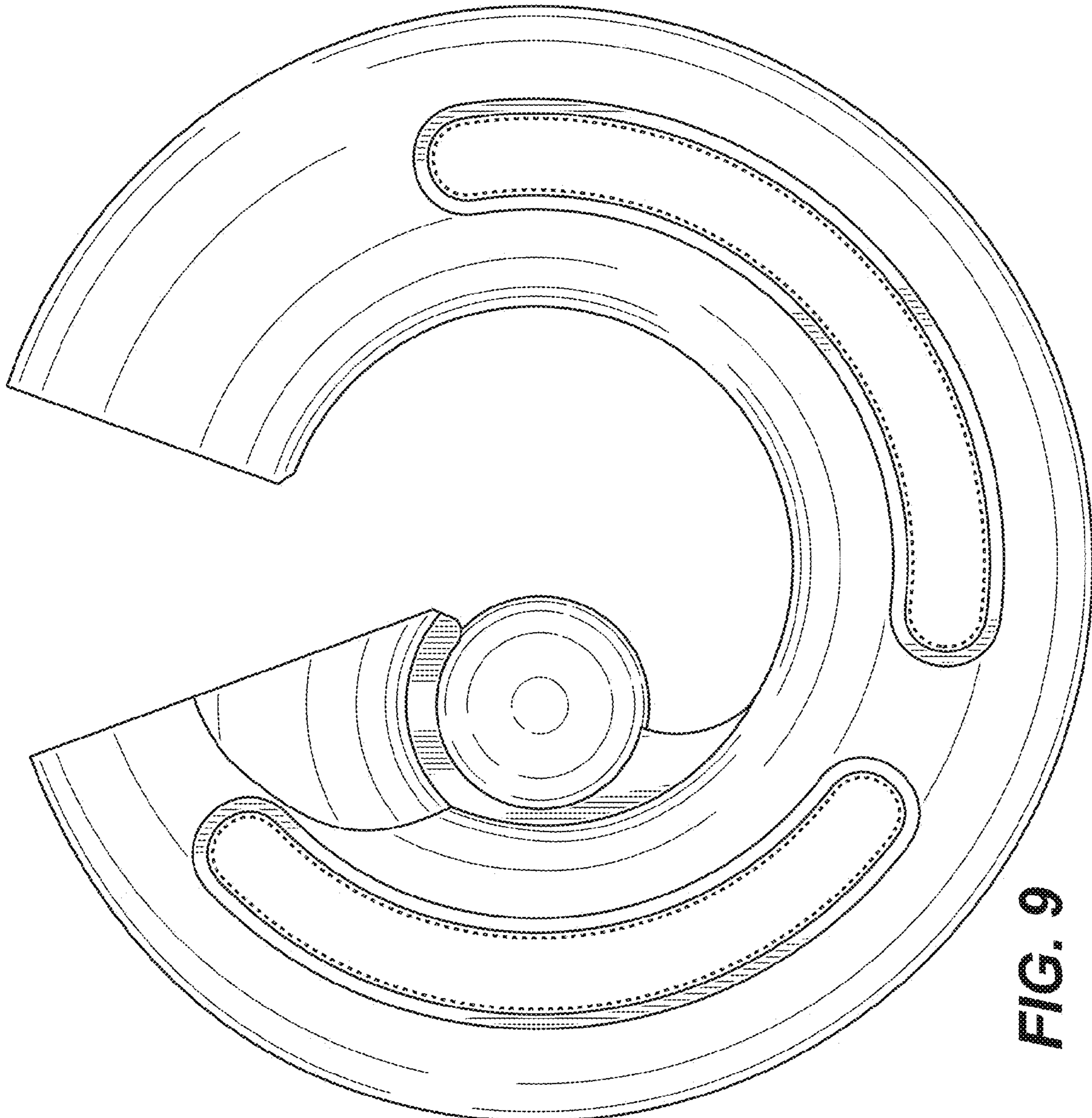


FIG. 9

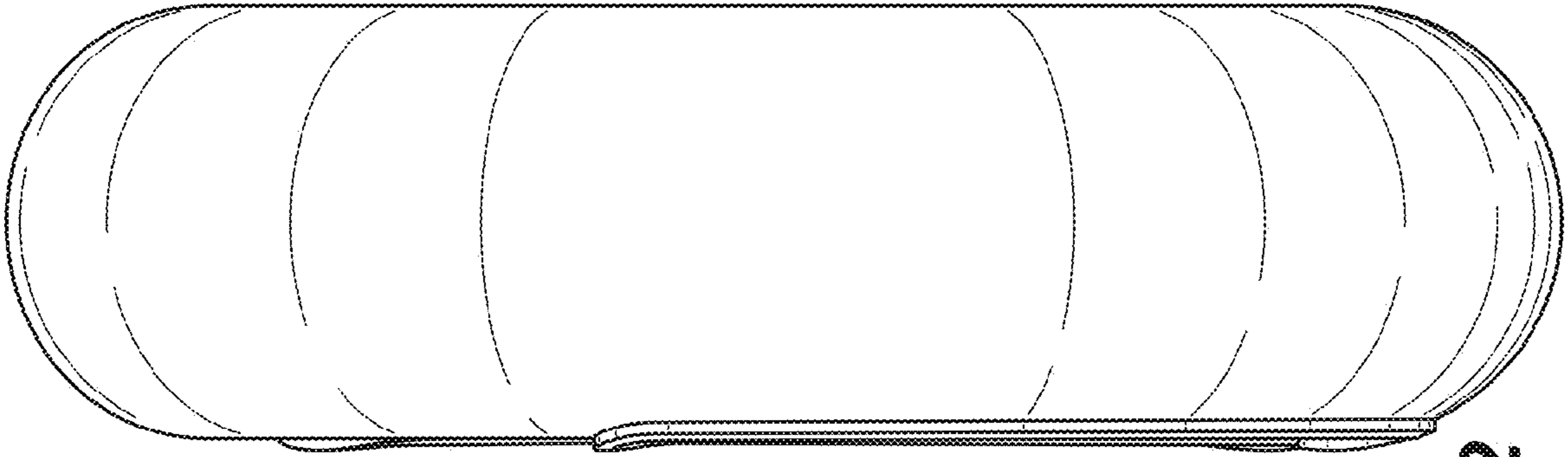


FIG. 12

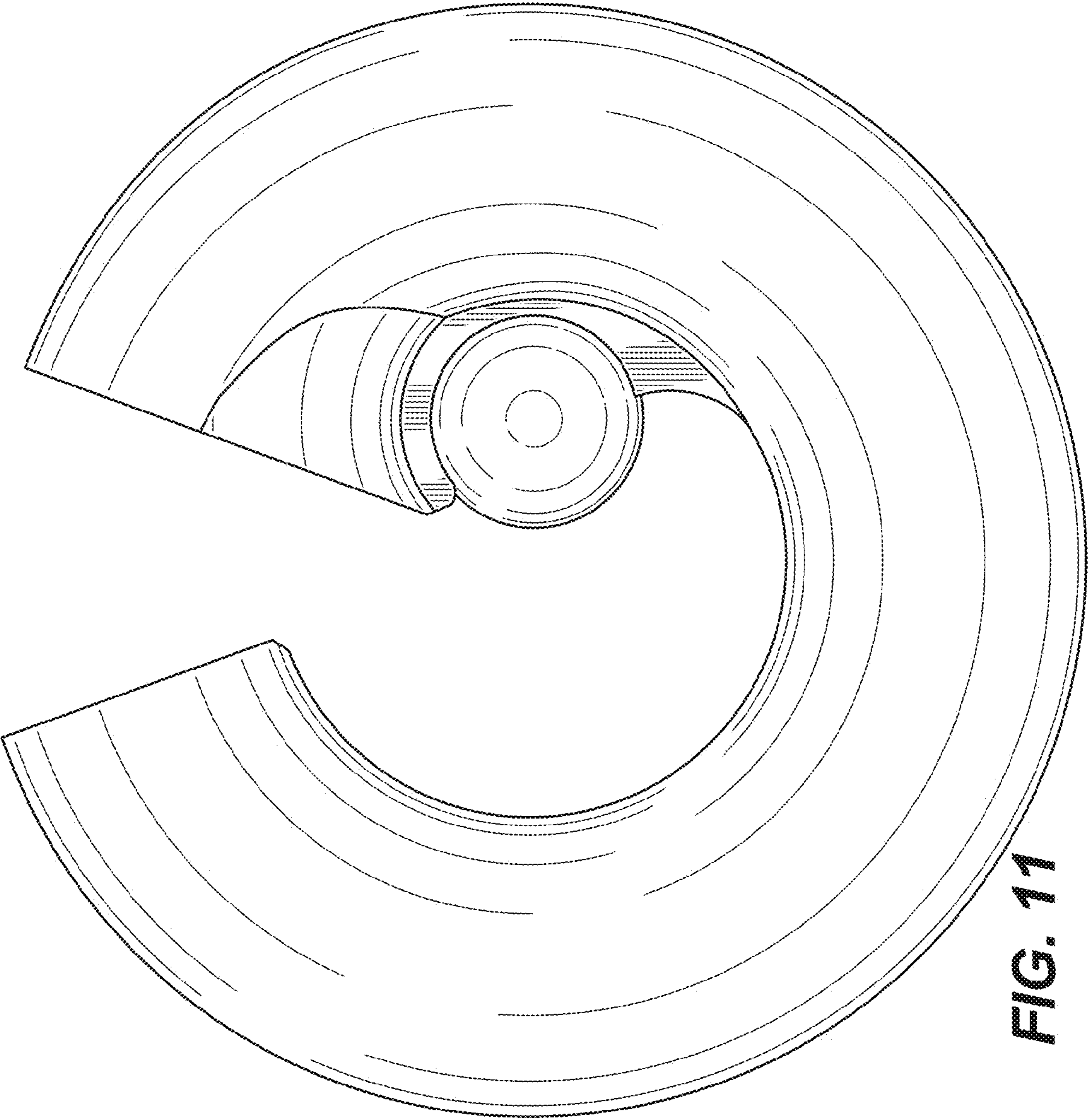


FIG. 11

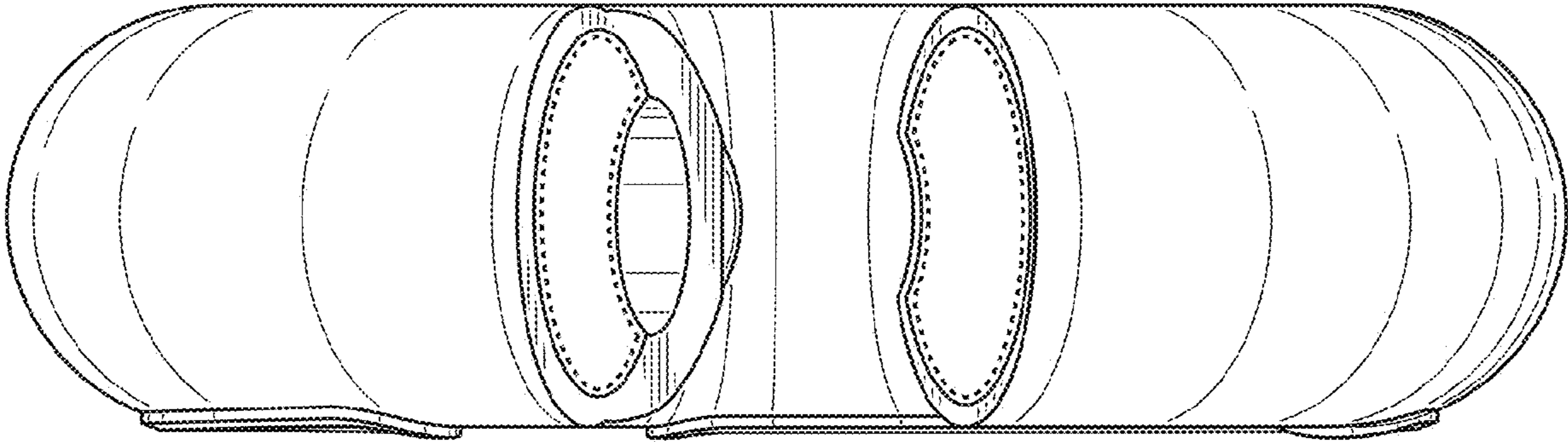


FIG. 13

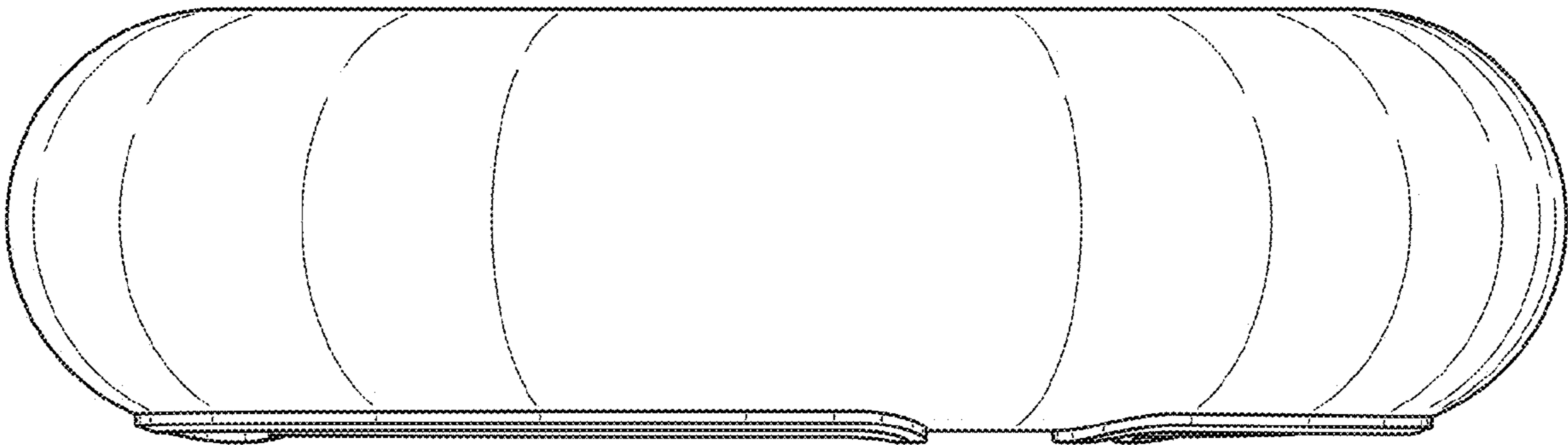


FIG. 14