



US00D956878S

(12) **United States Design Patent**  
**Denoual**

(10) **Patent No.:** **US D956,878 S**  
(45) **Date of Patent:** **\*\* Jul. 5, 2022**

- (54) **FIDGET TOY**
- (71) Applicant: **Blue Orange Edition**, Donville les Bains (FR)
- (72) Inventor: **Thierry Denoual**, Donville les Bains (FR)
- (\*\*) Term: **15 Years**
- (21) Appl. No.: **29/652,836**
- (22) Filed: **Dec. 14, 2020**
- (51) **LOC (13) Cl.** ..... **21-01**
- (52) **U.S. Cl.**  
USPC ..... **D21/455**
- (58) **Field of Classification Search**  
USPC ..... D30/160; D21/362, 408, 441, 443, 444, D21/455, 456, 457, 461, 466, 468, 487, D21/488, 492, 503, 681, 682, 684, 691, D21/473, 803; D12/316; D7/608; 63/14.1, 15, 38; 411/10, 12; 156/95, 156/118, 110.1; D11/40, 86, 93; D23/269; D8/399  
CPC ..... A01K 15/024-025; A63B 21/0608; A63B 67/08; A63B 21/22; A63F 7/3622; A63H 33/00; Y10T 24/4764  
See application file for complete search history.

(56) **References Cited**

**U.S. PATENT DOCUMENTS**

- D171,950 S \* 4/1954 Moore ..... D24/194
- 2,804,123 A \* 8/1957 Kling ..... A63G 23/00  
472/25
- D224,127 S \* 7/1972 Frank ..... D12/11
- D230,454 S \* 2/1974 Thompson ..... D6/604
- 3,901,503 A \* 8/1975 Klose ..... A63B 21/0608  
482/93
- 4,496,154 A \* 1/1985 Shazeer ..... A63F 7/382  
273/109
- D335,553 S \* 5/1993 Conner ..... D30/160
- D361,352 S \* 8/1995 Veraguth ..... D21/456

- 5,800,229 A \* 9/1998 Peterson ..... B63B 34/565  
441/129
- 5,813,066 A \* 9/1998 Gebhard ..... A47D 15/008  
5/424
- 5,924,908 A \* 7/1999 O'Heir ..... A63H 33/00  
446/168

(Continued)

**FOREIGN PATENT DOCUMENTS**

EM 008216030-0001 \* 10/2020

**OTHER PUBLICATIONS**

Loopy Hoopies, available on LoopyLooper.com, [site visited Oct. 25, 2021], available URL: <https://www.loopylooper.com/loopy-hoopies/> (Year: 2021).\*

(Continued)

*Primary Examiner* — Dana K Weiland  
*Assistant Examiner* — Emily Anna Saunders

(57) **CLAIM**

The ornamental design for a fidget toy, as shown and described.

**DESCRIPTION**

FIG. 1 is a top front right perspective view of the transparent fidget toy;

FIG. 2 is a front elevational view of the transparent fidget toy, the rear view is identical thereto;

FIG. 3 is a left side elevational view of the transparent fidget toy, the right side is identical thereto;

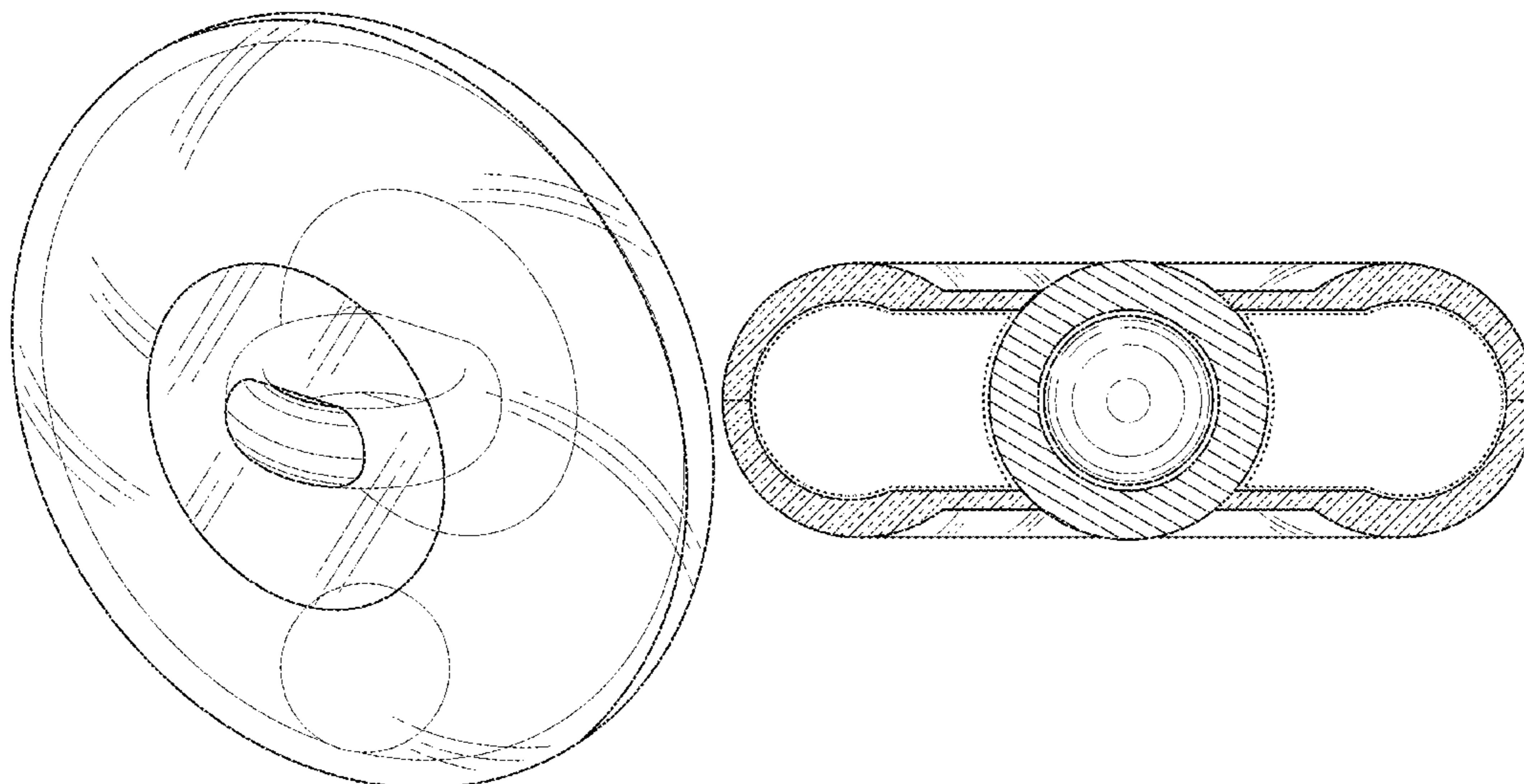
FIG. 4 is a top plan view of the transparent fidget toy, the bottom view is identical thereto;

FIG. 5 is a sectional view of the transparent fidget toy, taken along section line 5-5 in FIG. 2; and,

FIG. 6 is a sectional view of the transparent fidget toy, taken along section line 6-6 in FIG. 2.

The dashed lines define the bounds of the claimed design and form no part of the claim.

**1 Claim, 4 Drawing Sheets**



(56)

References Cited

U.S. PATENT DOCUMENTS

7,037,243 B1 \* 5/2006 Clancy ..... A63B 5/20  
482/81  
D553,414 S \* 10/2007 Boutin ..... D6/601  
D632,354 S \* 2/2011 Perry ..... D21/803  
D697,336 S \* 1/2014 Perry ..... D6/601  
D724,162 S \* 3/2015 James ..... A63B 21/4035  
D21/688  
D745,097 S \* 12/2015 Webb ..... D21/682  
D782,253 S \* 3/2017 Boroski ..... D7/630  
9,730,428 B1 \* 8/2017 Kreischer ..... A01K 15/025  
D821,992 S \* 7/2018 Sung ..... D13/199  
10,238,983 B1 \* 3/2019 Polk ..... A63H 15/06  
D880,634 S \* 4/2020 Peterson ..... D21/803  
D921,382 S \* 6/2021 Zhou ..... D6/361  
11,123,648 B1 \* 9/2021 Denoual ..... A63H 33/00  
D932,568 S \* 10/2021 Mulhern ..... D21/662  
D934,962 S \* 11/2021 Savioli ..... D21/684  
D938,664 S \* 12/2021 Wilhelm ..... D30/160  
11,224,268 B2 \* 1/2022 Berger ..... A44C 9/003  
2005/0096200 A1 \* 5/2005 Amann ..... A63B 21/22  
482/110  
2021/0332858 A1 \* 10/2021 Kelly ..... F21S 10/06

OTHER PUBLICATIONS

Loopy Hoopies Blue, available on Amazon.com, release date: Aug. 24, 2021, [site visited Oct. 25, 2021], Available URL: <https://www.amazon.com/Blue-Orange-09108-Loopy-Hoopies/dp/B09DHK7DRD/> (Year: 2021).\*

Loopy Hoopies Pink Hearts, available on Amazon.com, release date: Aug. 24, 2021, [site visited Oct. 25, 2021], Available URL: <https://www.amazon.com/Blue-Orange-Loopy-Hoopies-Hearts/dp/B09DHFMY8H/> (Year: 2021).\*

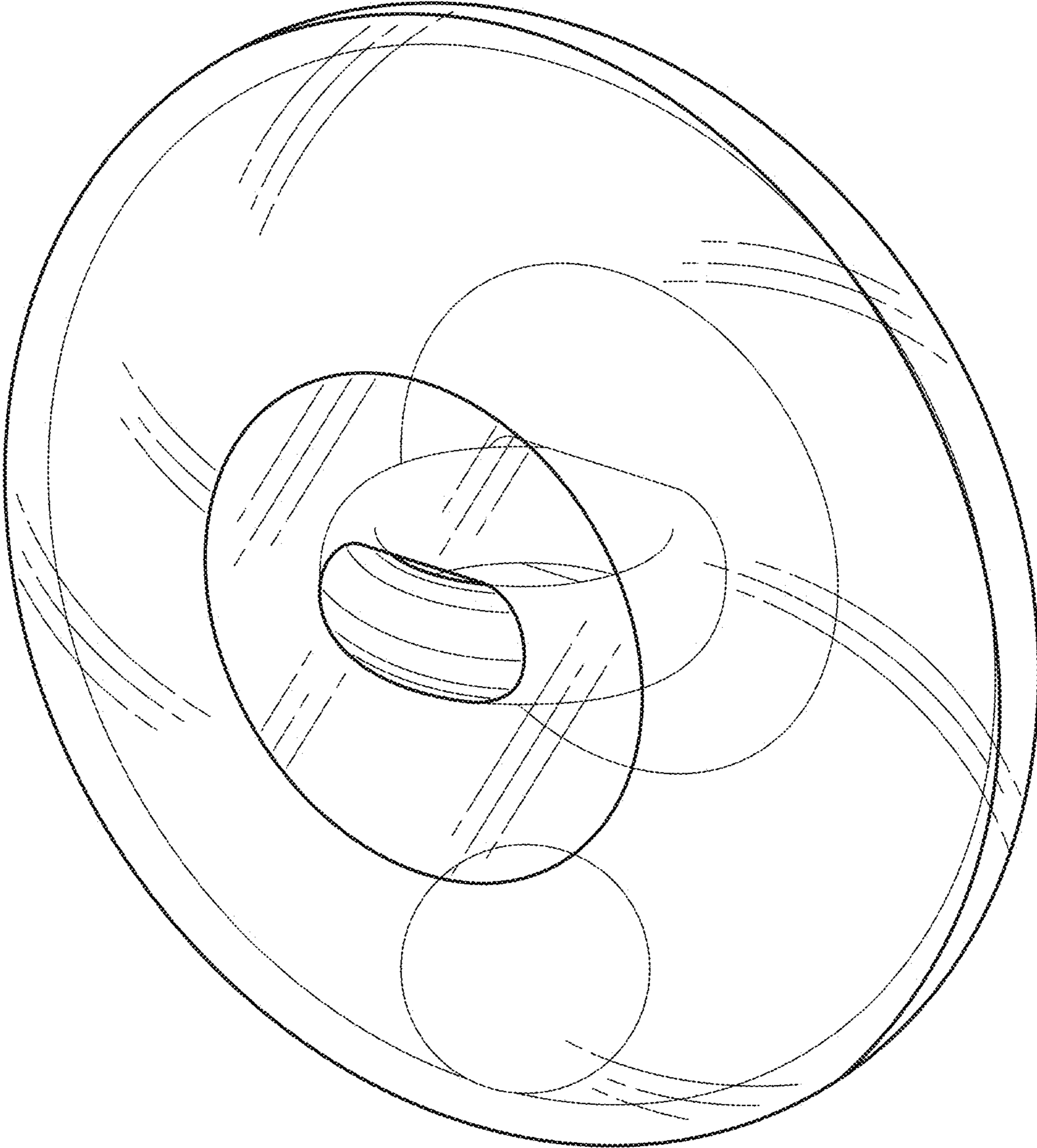
Loopy Hoopies Green Suns, available on Amazon.com, release date: Aug. 24, 2021, [site visited Oct. 25, 2021], Available URL: <https://www.amazon.com/Blue-Orange-Loopy-Hoopies-Green/dp/B09DHS62T9/> (Year: 2021).\*

Swimline 9050 Inflatable Lounger, available on Amazon.com, release date: Jun. 9, 2019, [site visited Oct. 28, 2021], Available URL: <https://www.amazon.com/Swimline-9050-Swimming-Inflatable-Lounger/> (Year: 2019).\*

Sunnylife Glitter Pool Ring, available on saintbernard.com, [site visited: Oct. 28, 2021], Available URL: <https://www.saintbernard.com/products/sunnylife-glitter-pool-ring> (Year: 2021).\*

Otteroo Lumi, available on Otteroo.com, [site visited: Oct. 28, 2021], Available URL: <https://shop.otteroo.com/products/lumi> (Year: 2021).\*

\* cited by examiner



**FIG. 1**



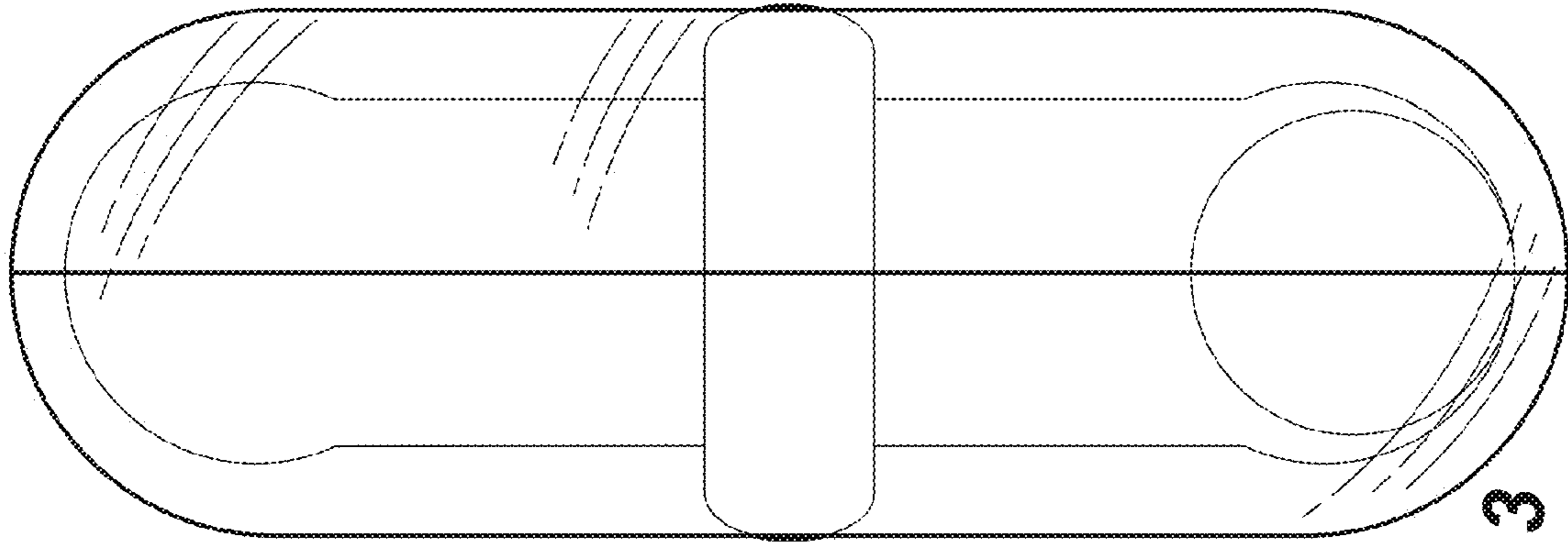


FIG. 3

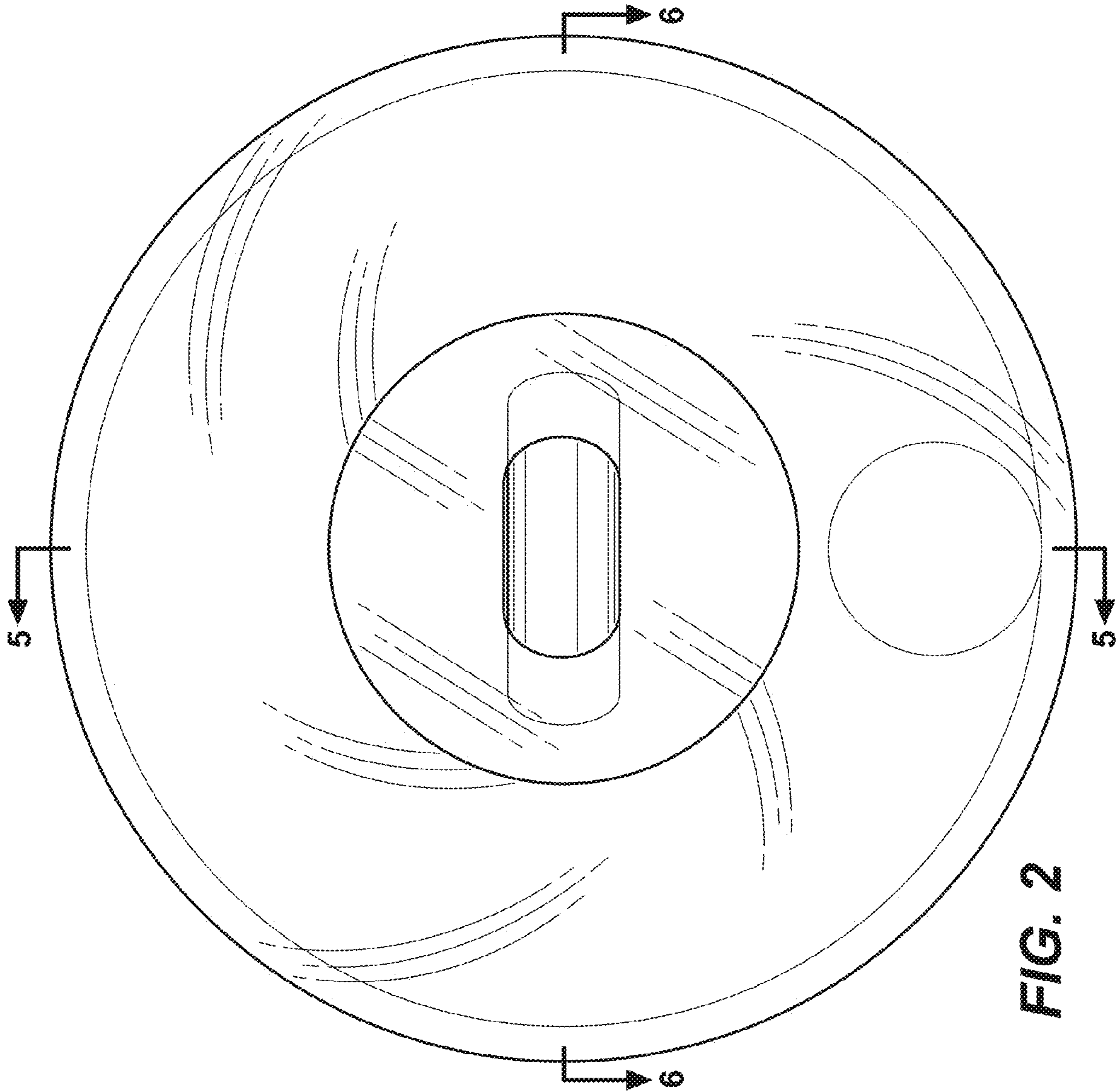
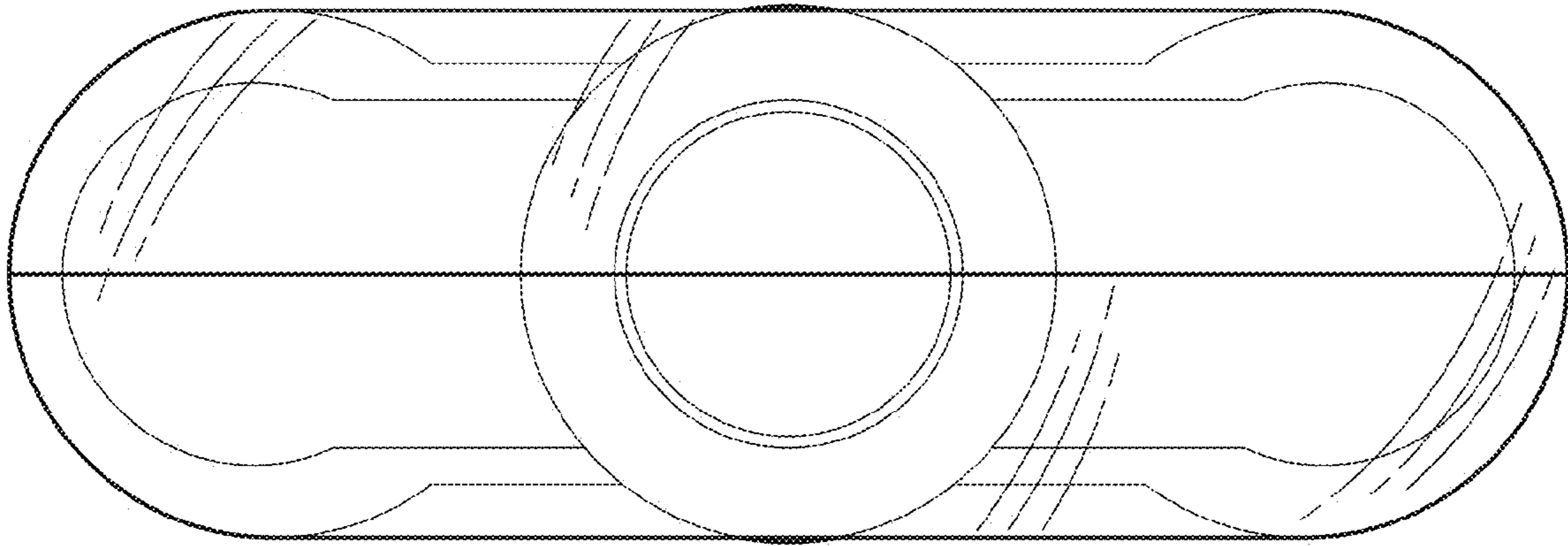
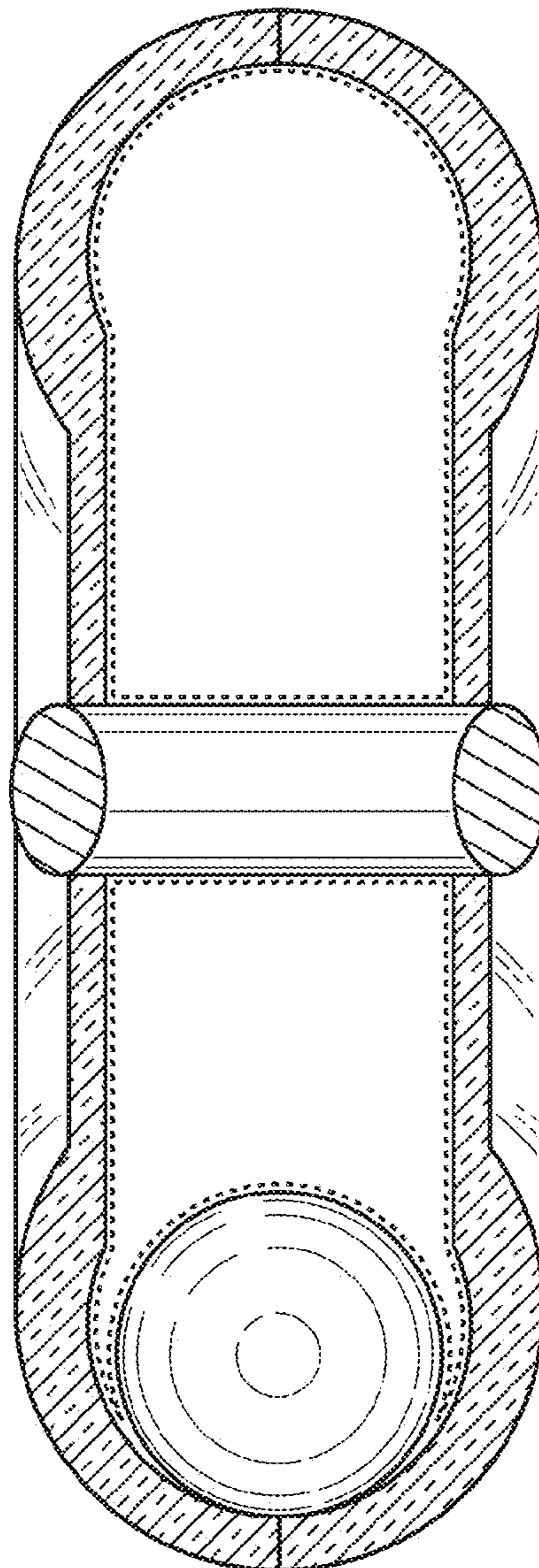


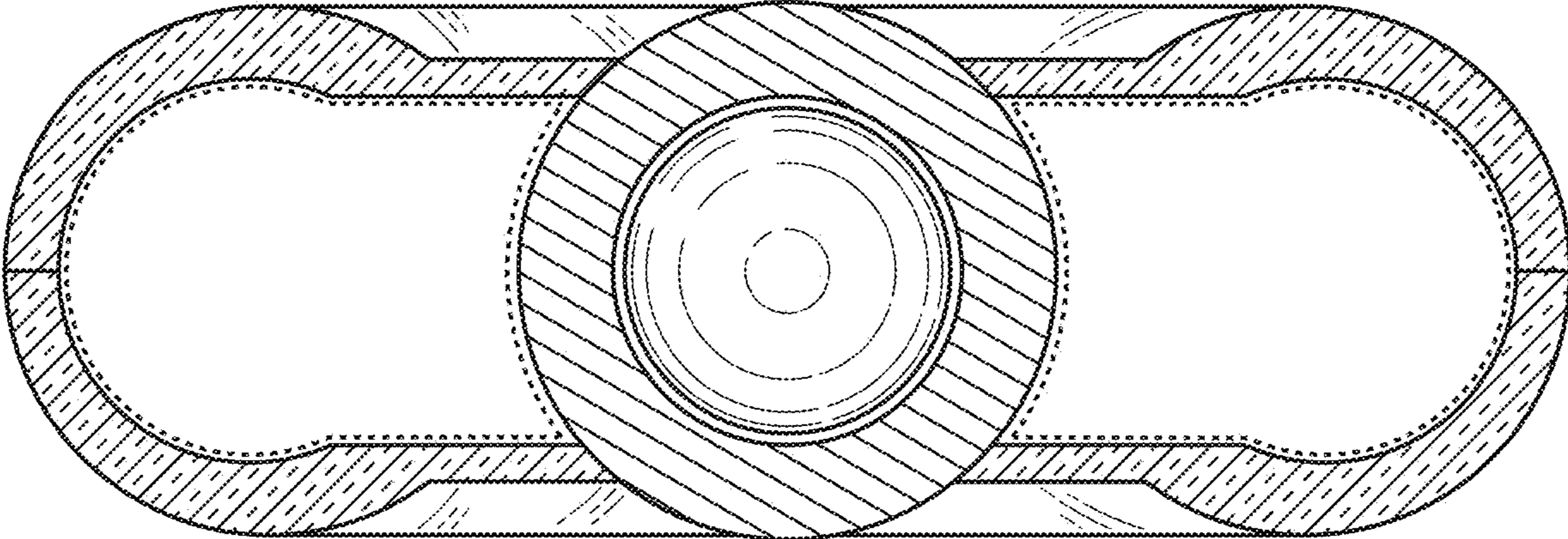
FIG. 2



**FIG. 4**



**FIG. 5**



**FIG. 6**