

US00D956877S

(12) **United States Design Patent**
Ng

(10) **Patent No.:** **US D956,877 S**
(45) **Date of Patent:** **** Jul. 5, 2022**

- (54) **RIDE ON BULLDOZER TOY**
- (71) Applicant: **SUNNYWOOD, INCORPORATED,**
McHenry, IL (US)
- (72) Inventor: **Kai Man William Ng,** McHenry, IL
(US)
- (73) Assignee: **SUNNYWOOD, INCORPORATED,**
McHenry, IL (US)
- (**) Term: **15 Years**
- (21) Appl. No.: **29/744,689**
- (22) Filed: **Jul. 30, 2020**
- (51) **LOC (13) Cl.** **21-01**
- (52) **U.S. Cl.**
USPC **D21/431; D21/419; D21/424**
- (58) **Field of Classification Search**
USPC D21/419, 424, 427, 428, 431, 433, 434,
D21/477, 483, 495, 533, 537, 539, 548,
D21/549, 550-554, 556-562; D12/12,
D12/19, 82, 83, 84, 85, 86, 87, 88, 90,
D12/91, 93, 163, 167
CPC A63H 17/00; A63H 17/02; A63H 17/05;
A63H 17/08; A63H 17/10; A63H 17/12;
A63H 17/14; A63H 17/045; A63H 7/02;
A63H 7/04; A63B 67/14; B62B 1/00;
B62B 1/04; B62B 1/10; B62B 1/12;
B62B 1/16; A63G 13/00; A63G 19/00;
A63G 19/04; A63G 19/06; A63G 19/08;
A63G 19/18; A63G 19/20; A63G 17/00
See application file for complete search history.

- D215,166 S * 9/1969 Richardson D21/431
 - D228,358 S * 9/1973 Wormser et al. D21/419
 - D262,903 S * 2/1982 Becker D21/558
 - D264,106 S * 4/1982 Orenstein D21/537
 - D267,100 S * 11/1982 Magnusson D21/431
- (Continued)

FOREIGN PATENT DOCUMENTS

- CA 2897865 A1 * 7/2016 A63H 17/12
 - CN 3598373 * 2/2007 A63H 17/12
- (Continued)

OTHER PUBLICATIONS

“WonkaWoo Dig and Swivel Sand Digger Toy, Yellow,” Sep. 7, 2015, amazon.ca, site visited Jan. 27, 2022, URL: <https://www.amazon.ca/WonkaWoo-Swivel-Sand-Digger-Yellow/dp/B00D8FPQ08/> (Year: 2015).*

(Continued)

Primary Examiner — Richard Kearney
Assistant Examiner — Sarah L Smith
(74) *Attorney, Agent, or Firm* — Innovation Capital Law Group, LLP; Vic Lin

(57) **CLAIM**

The ornamental design for a ride on bulldozer toy, as shown and described.

DESCRIPTION

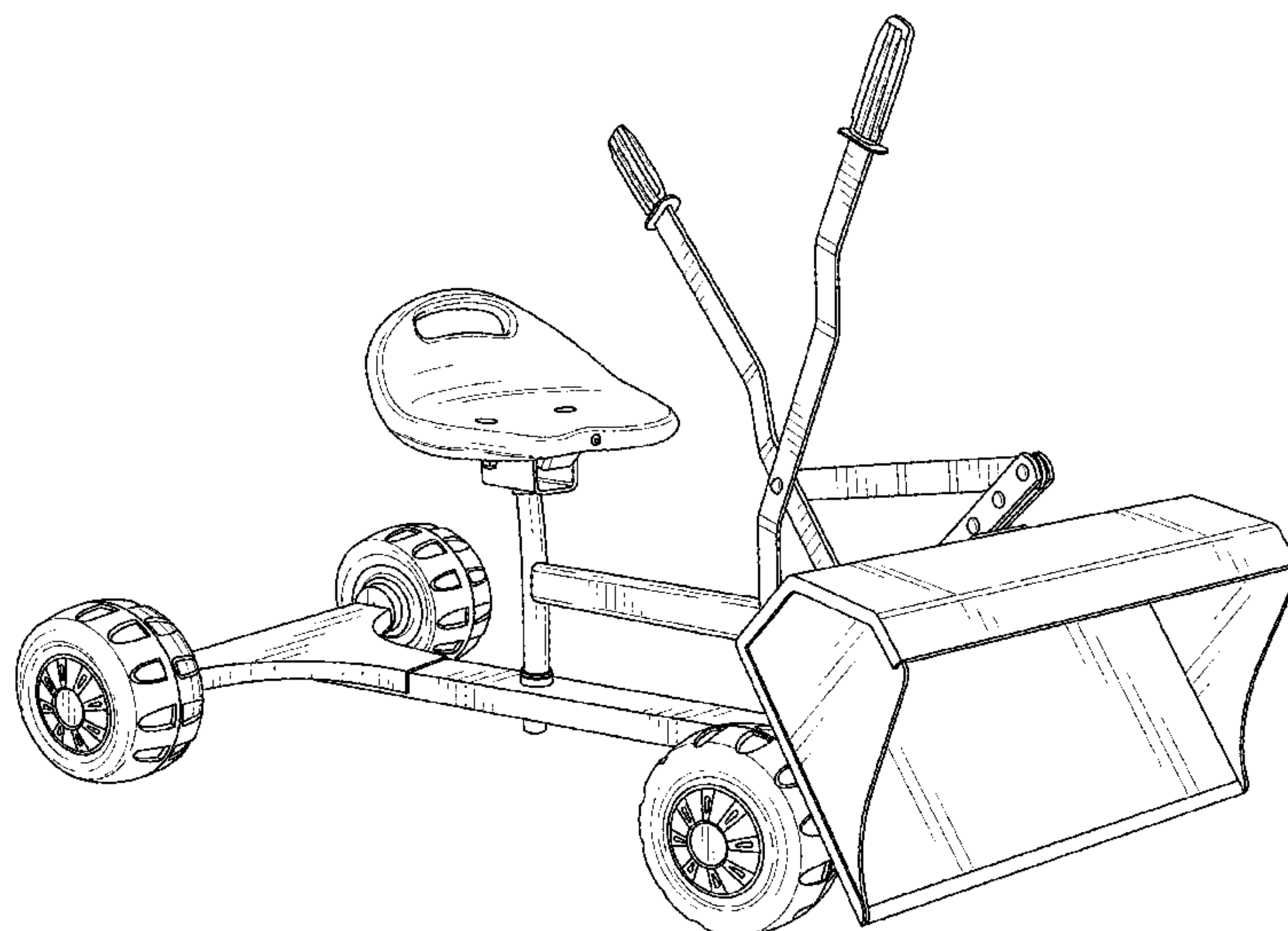
FIG. 1 is a front elevation view of a ride on bulldozer toy, showing my new design;
FIG. 2 is a rear elevation view thereof;
FIG. 3 is a right side elevation view thereof;
FIG. 4 is a left side elevation view thereof;
FIG. 5 is a top plan view thereof;
FIG. 6 is a bottom plan view thereof;
FIG. 7 is a rear perspective view thereof; and,
FIG. 8 is a front perspective view thereof.

1 Claim, 8 Drawing Sheets

(56) **References Cited**

U.S. PATENT DOCUMENTS

- 1,244,456 A * 10/1917 Bain G01G 13/00
414/915
- 2,192,807 A * 3/1940 Strom A63H 17/12
D21/537
- D208,483 S * 9/1967 Walklet 280/87.021



(56)

References Cited

U.S. PATENT DOCUMENTS

D276,355 S * 11/1984 Sjöholm D34/33
D320,420 S * 10/1991 Dupont D21/426
D321,380 S * 11/1991 Dewing D21/431
D322,099 S * 12/1991 Mast D21/431
D359,769 S * 6/1995 Goncalves D21/537
D384,997 S * 10/1997 Digges A63H 17/12
D21/431
D472,280 S * 3/2003 Jenkins D12/400
D716,382 S * 10/2014 Herlitz D21/426
D777,608 S * 1/2017 Androski G01G 13/00
D12/112
9,688,340 B1 * 6/2017 Kroymann A63C 17/28
D901,606 S * 11/2020 Jenks A63C 17/28
D21/537
2017/0240240 A1 * 8/2017 Kroymann B62J 1/08

FOREIGN PATENT DOCUMENTS

CN 305689731 * 4/2020
DE 29810302 U1 * 9/1998 A63H 17/12
EM 000862669-0001 * 3/2008
WO WO-2007056481 A2 * 5/2007 A63H 17/05

OTHER PUBLICATIONS

"Costzon 8" Kids Ride-on Sand Digger," Nov. 14, 2017, amazon.ca, site visited Jan. 27, 2022, URL: <https://www.amazon.ca/Costzon-Outdoor-Sandbox-Digging-Excavator/dp/B077FZM6SB/> (Year: 2017).*

"WONKAWOO Digger 360° Rotation Metal Excavator Bulldozer Ride On Toy," Sep. 1, 2019, amazon.com, site visited Jan. 27, 2022, URL: <https://www.amazon.com/WONKAWOO-Earth-Mover-with-Wheels/dp/B07QS5N3GL> (Year: 2019).*

* cited by examiner

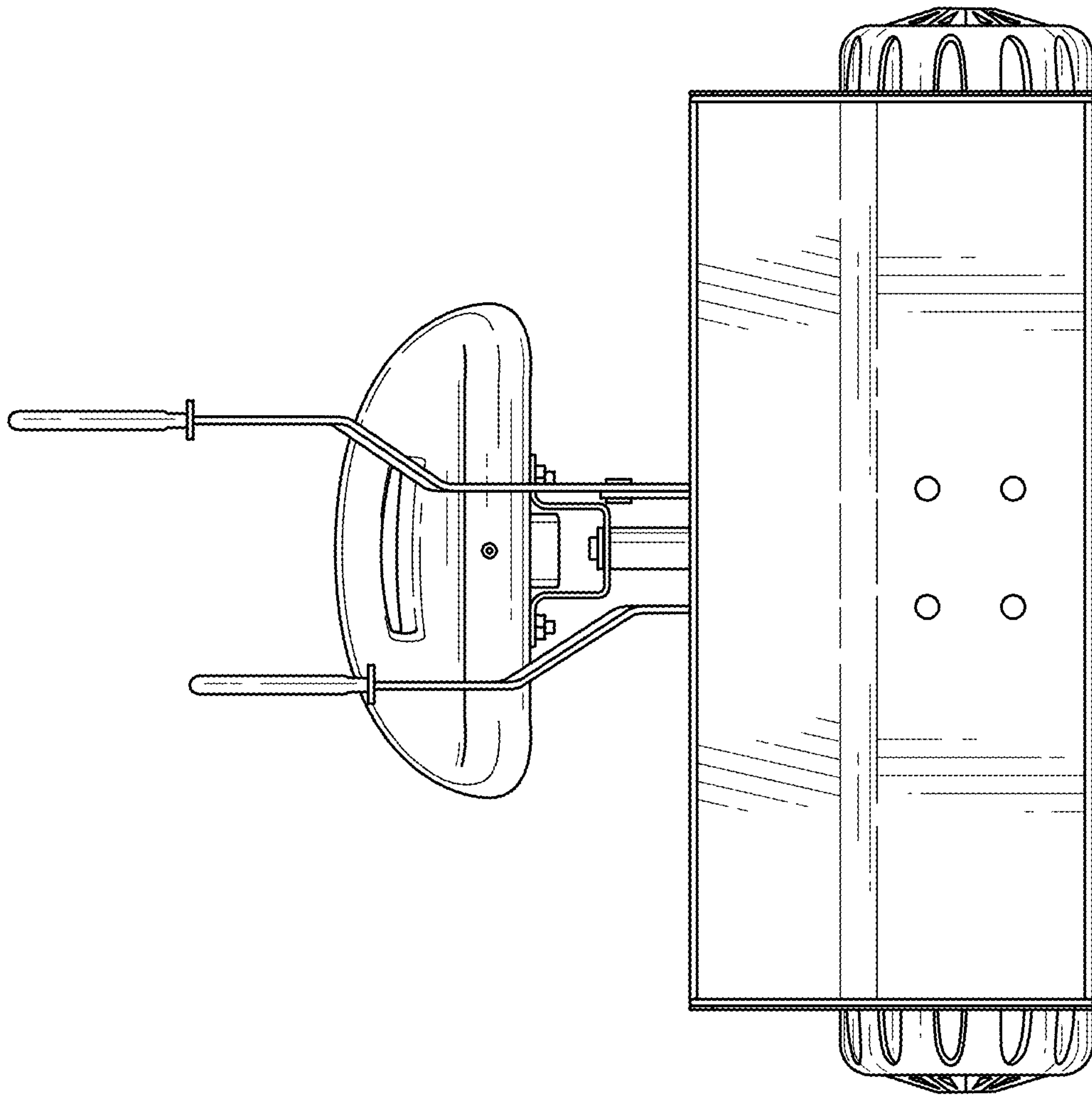


FIG. 1

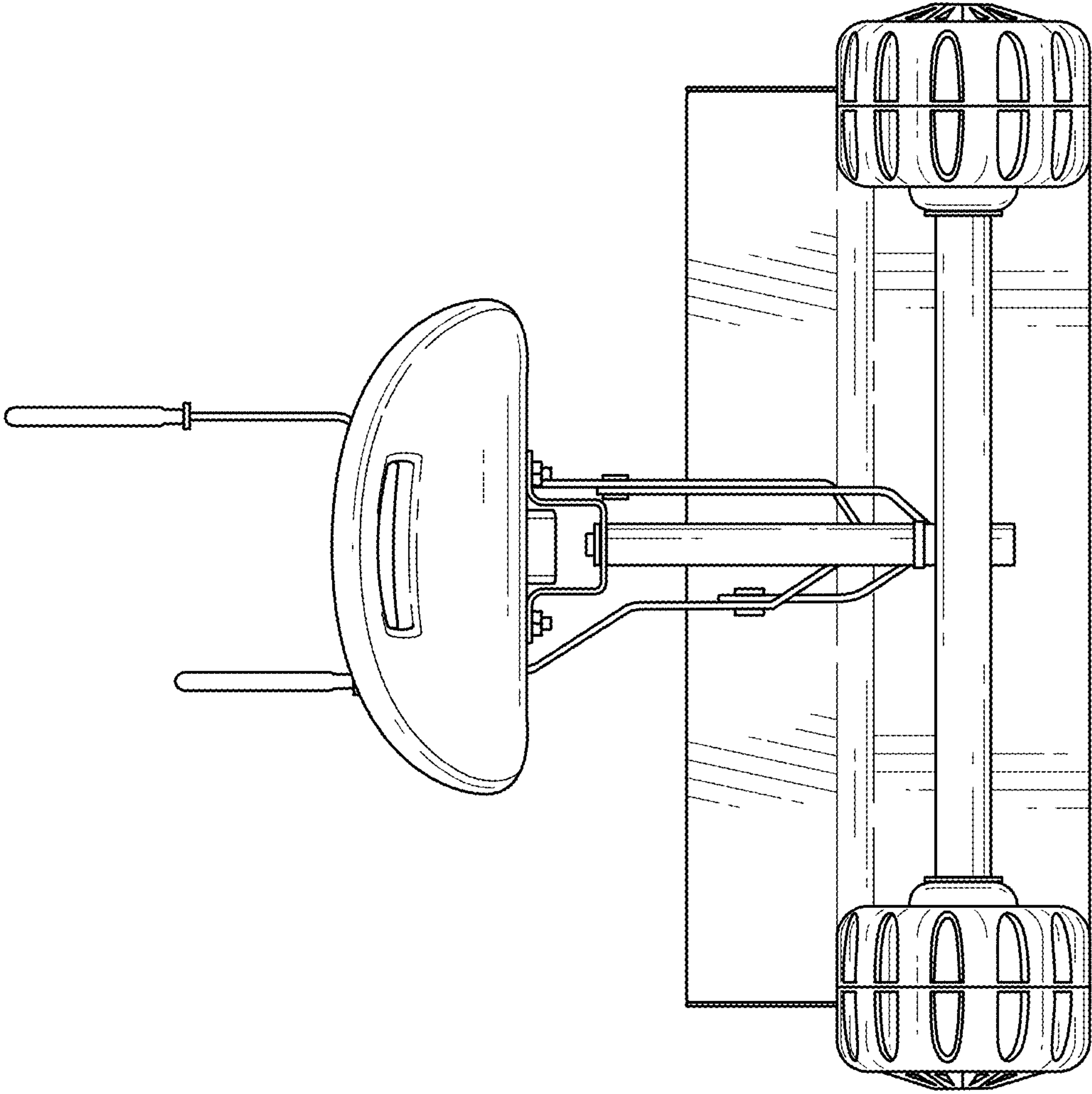


FIG. 2

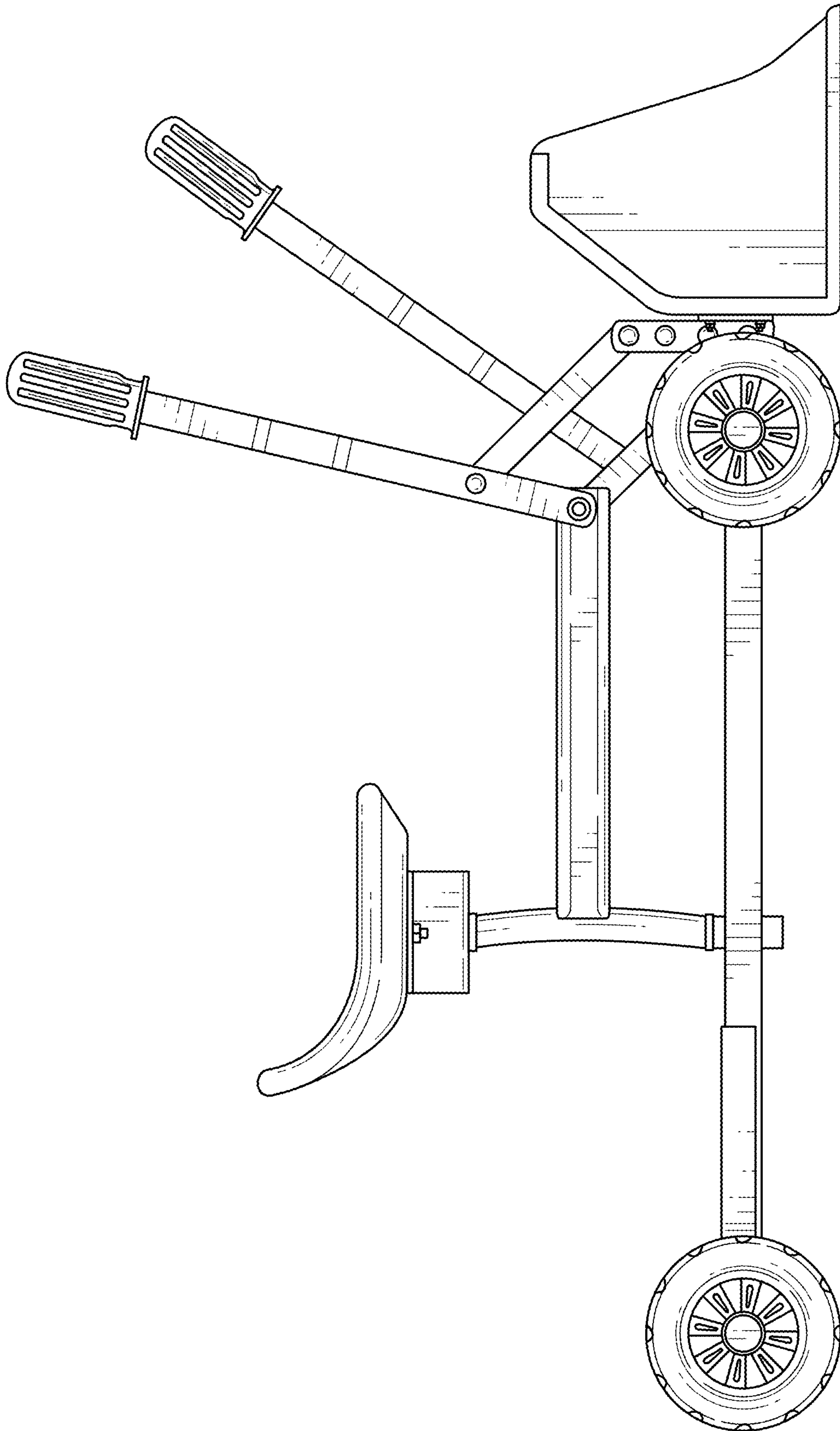


FIG. 3

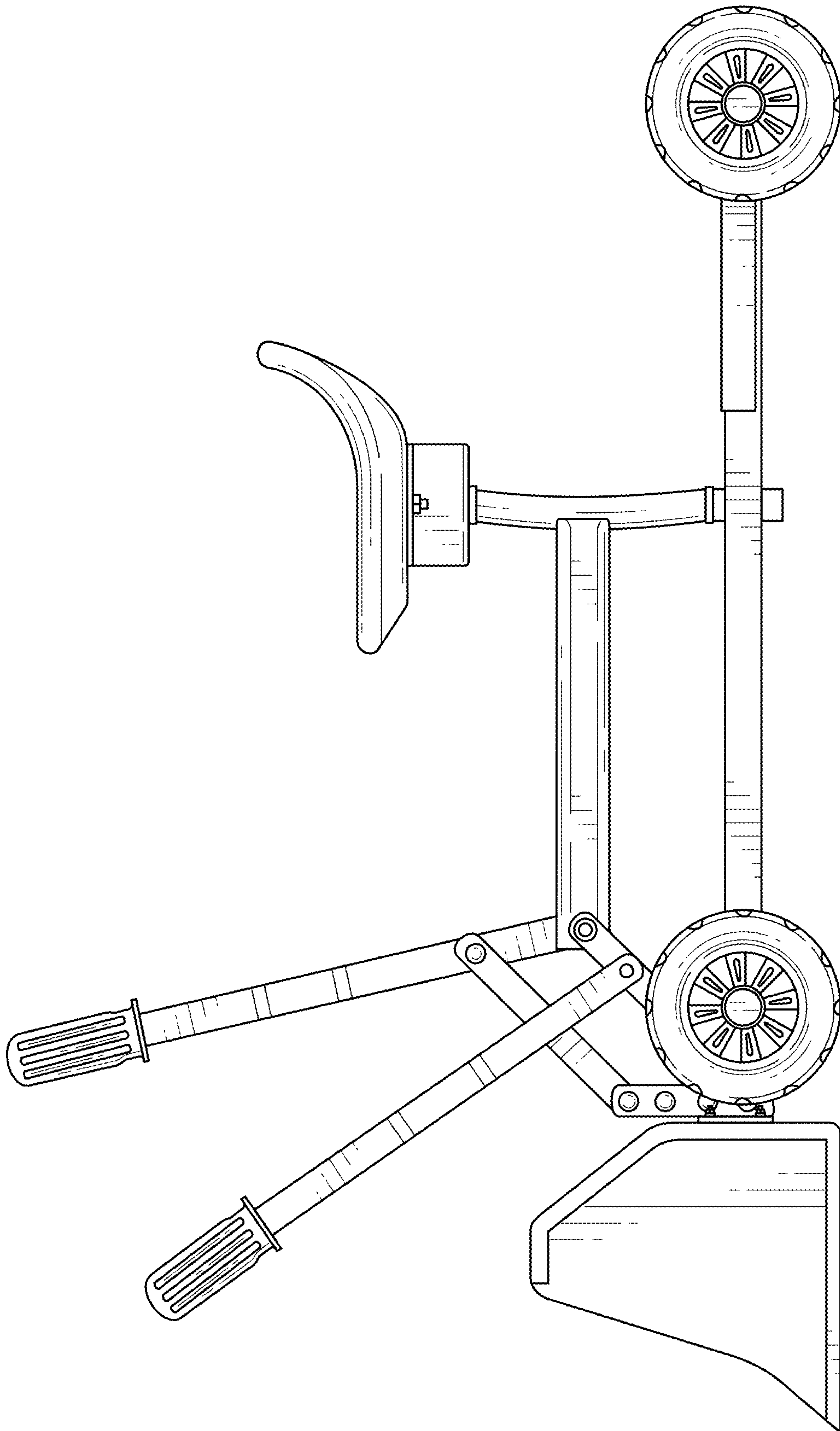


FIG. 4

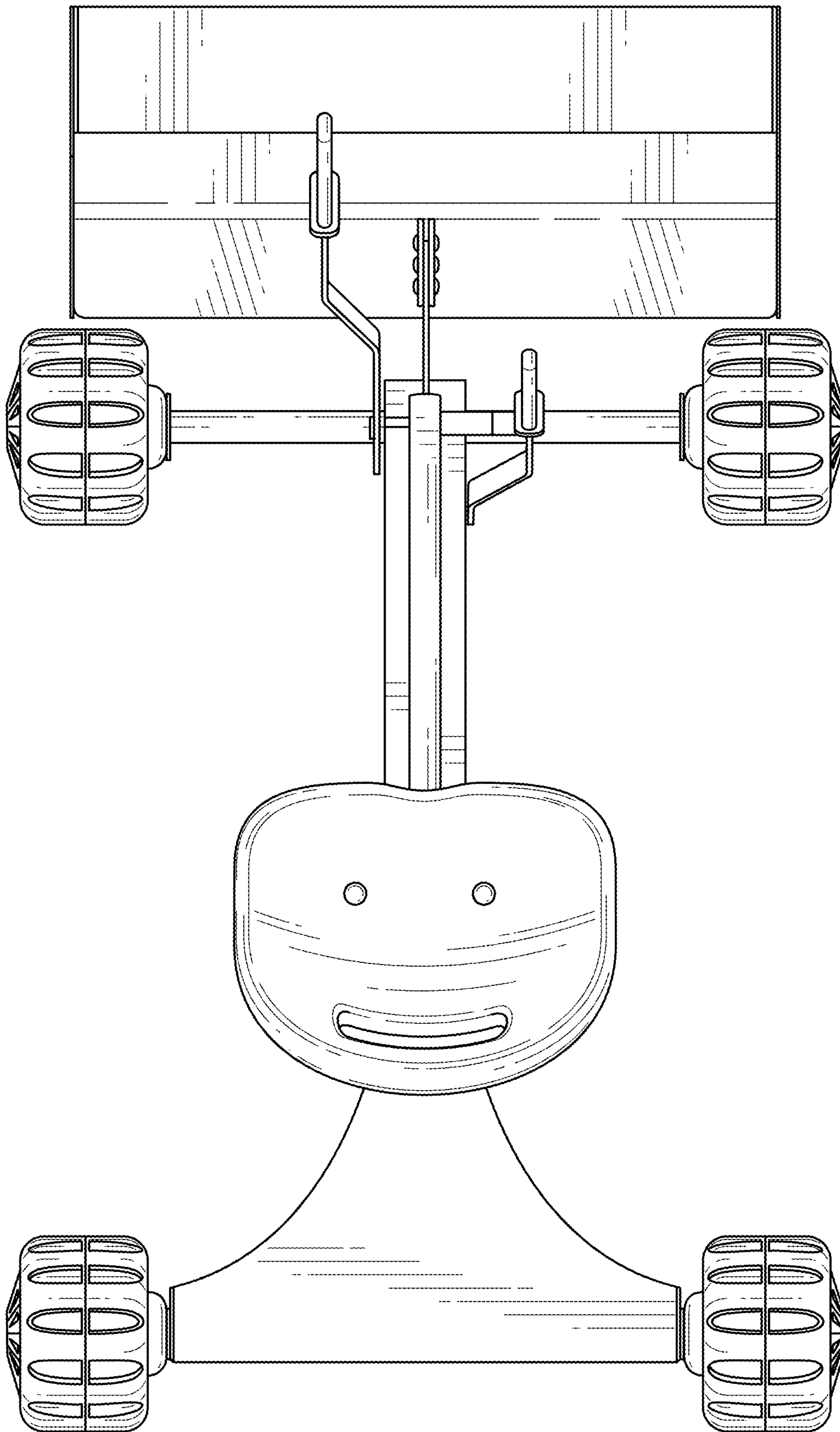


FIG. 5

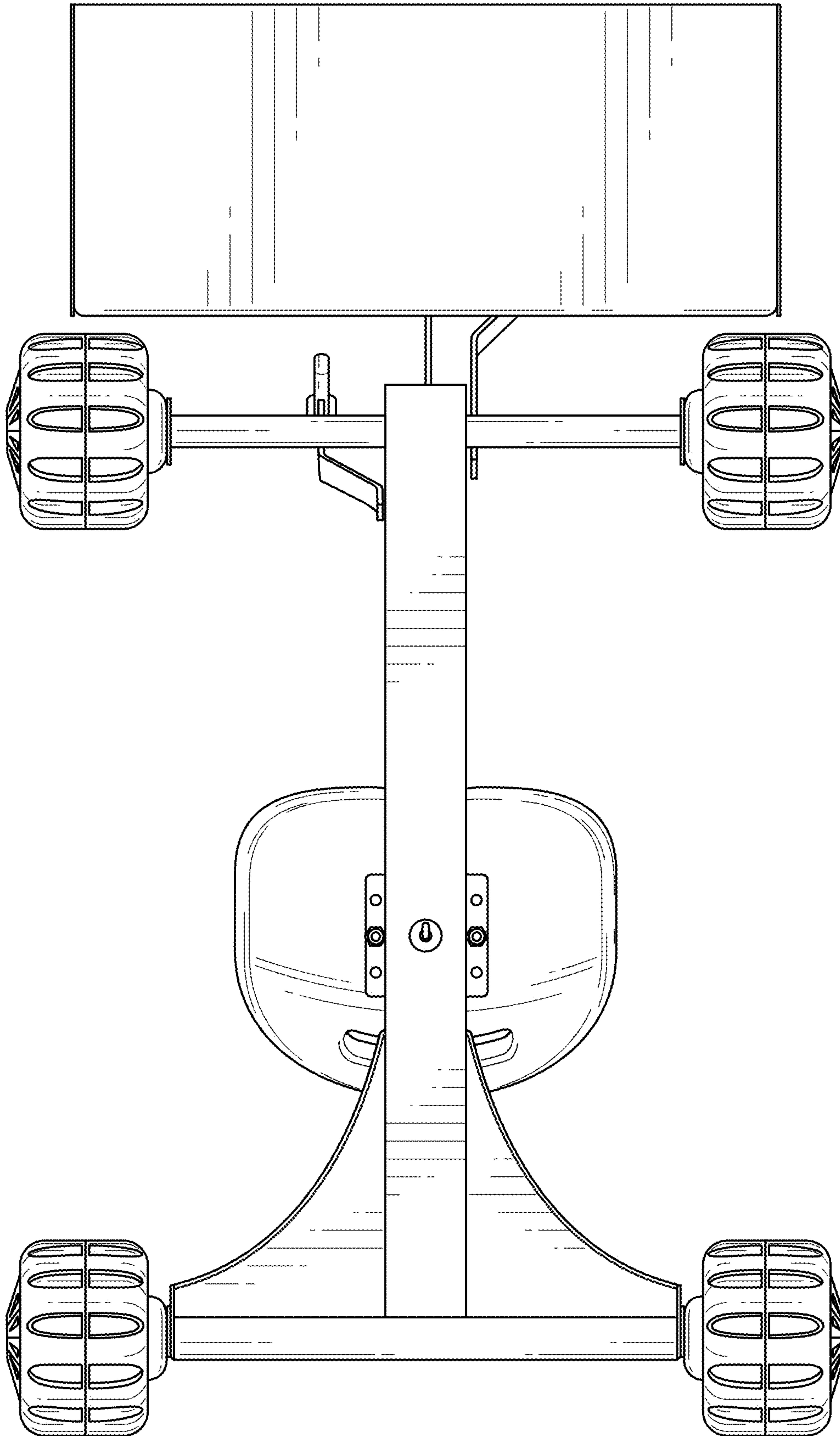


FIG. 6

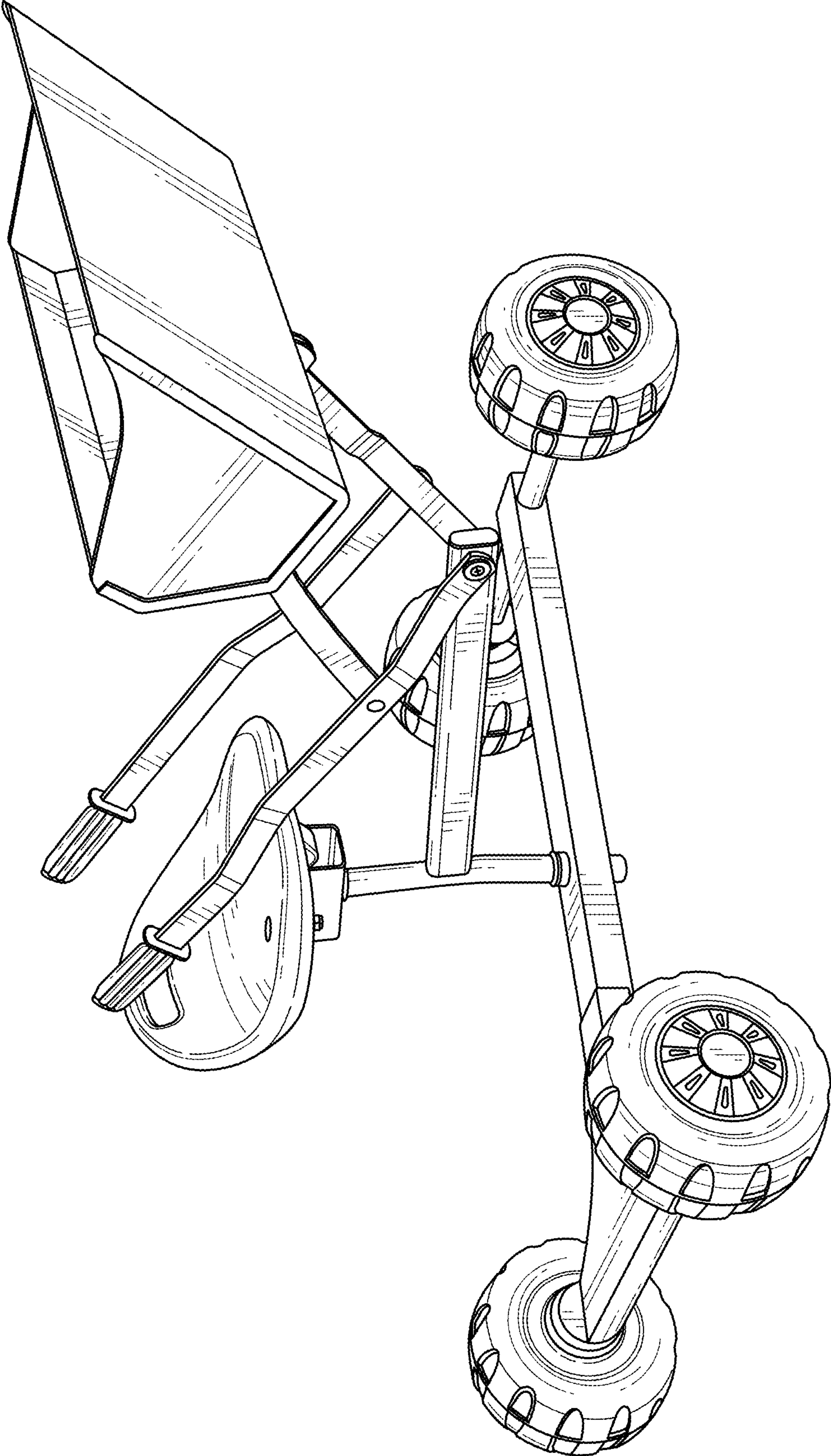


FIG. 7

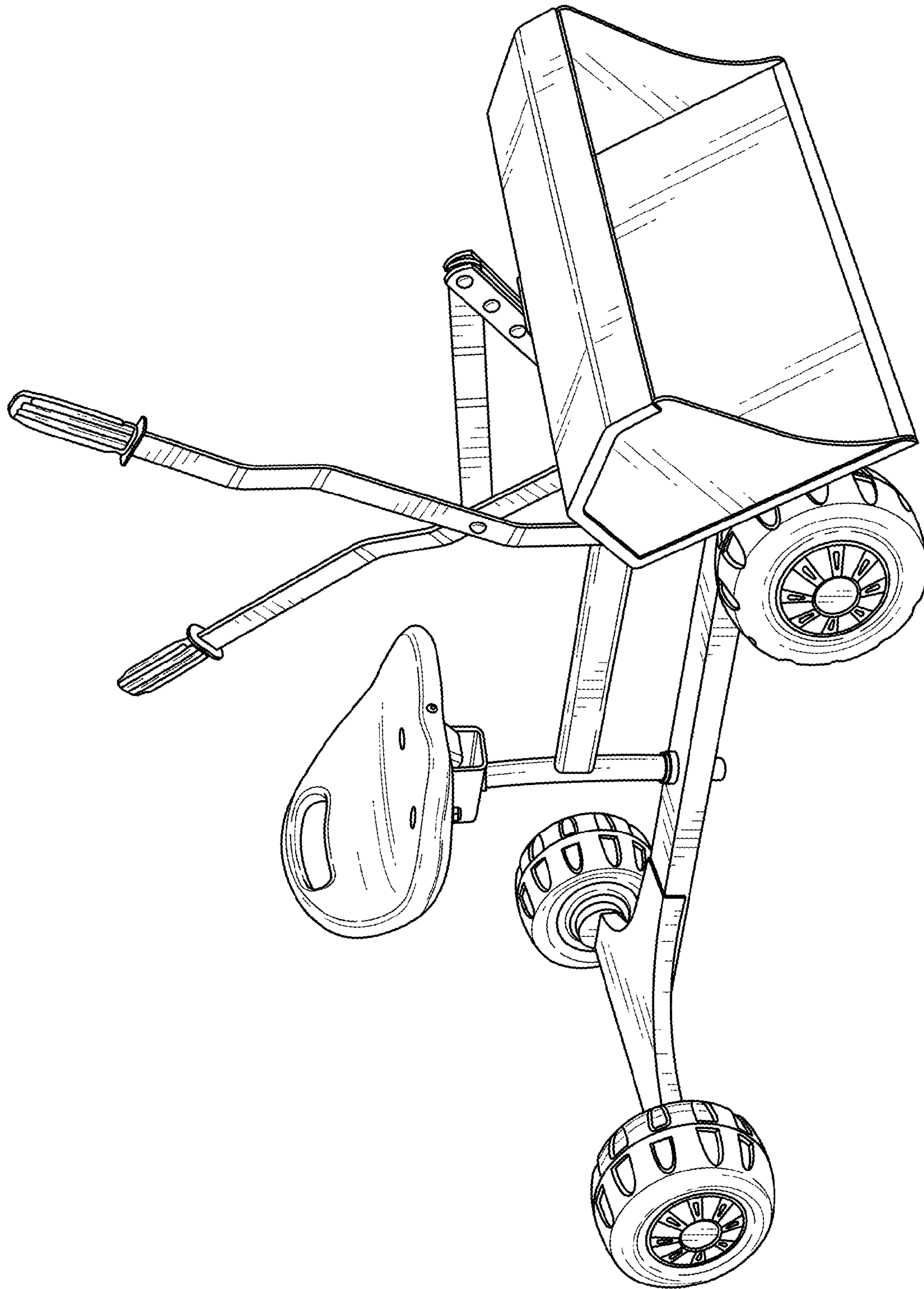


FIG. 8