



US00D956876S

(12) **United States Design Patent** (10) **Patent No.:** **US D956,876 S**
Sun (45) **Date of Patent:** **** Jul. 5, 2022**

(54) **BUBBLE OUTLET**
(71) Applicant: **GUANGDONG HUATING INTELLIGENT TECHNOLOGY CO., LTD**, Shantou (CN)
(72) Inventor: **Pinghua Sun**, Shantou (CN)
(73) Assignee: **GUANGDONG HUATING INTELLIGENT TECHNOLOGY CO., LTD**, Shantou (CN)
(**) Term: **15 Years**
(21) Appl. No.: **29/769,757**
(22) Filed: **Feb. 8, 2021**
(51) **LOC (13) Cl.** **21-01**
(52) **U.S. Cl.**
USPC **D21/401**
(58) **Field of Classification Search**
USPC D21/401, 402, 473, 398, 468, 400;
D19/126, 147, 122, 402, 115, 123, 129,
D19/136, 137, 198, 81, 82, 907, 909,
D19/911; D11/121
CPC A63H 33/28; A63H 33/00; A63H 33/22;
A63H 3/16; A63H 3/36; A63H 30/04;
A63H 33/26; A63H 5/00; A63H 1/24;
A63J 5/025; A63J 5/02
See application file for complete search history.

(56) **References Cited**
U.S. PATENT DOCUMENTS
D419,203 S * 1/2000 Bao D21/401
6,139,391 A * 10/2000 Thai A63H 33/28
446/15
D572,771 S * 7/2008 Styles D21/402
D769,531 S * 10/2016 Huang D28/63
D868,899 S * 12/2019 Chen D21/401
10,525,371 B1 * 1/2020 Hsu A63H 33/28
D893,634 S * 8/2020 Zhang D21/401

2005/0287900 A1* 12/2005 Tobias A63H 33/28
446/15
2006/0116048 A1* 6/2006 Choi A63H 33/28
446/15
2014/0194027 A1* 7/2014 Lin A63H 33/28
446/19

(Continued)

OTHER PUBLICATIONS

WowWee Pinkfong Baby Shark Official Bubble Blaster. Release date: Sep. 1, 2020. Retrieved from internet: <<https://www.amazon.com/WowWee-Pinkfong-Official-Bubble-Blaster/dp/B07X8YBZS7>> [site visited Apr. 20, 2022] (Year: 2020).*

(Continued)

Primary Examiner — Katherine Glennon
Assistant Examiner — Yuan Yuan

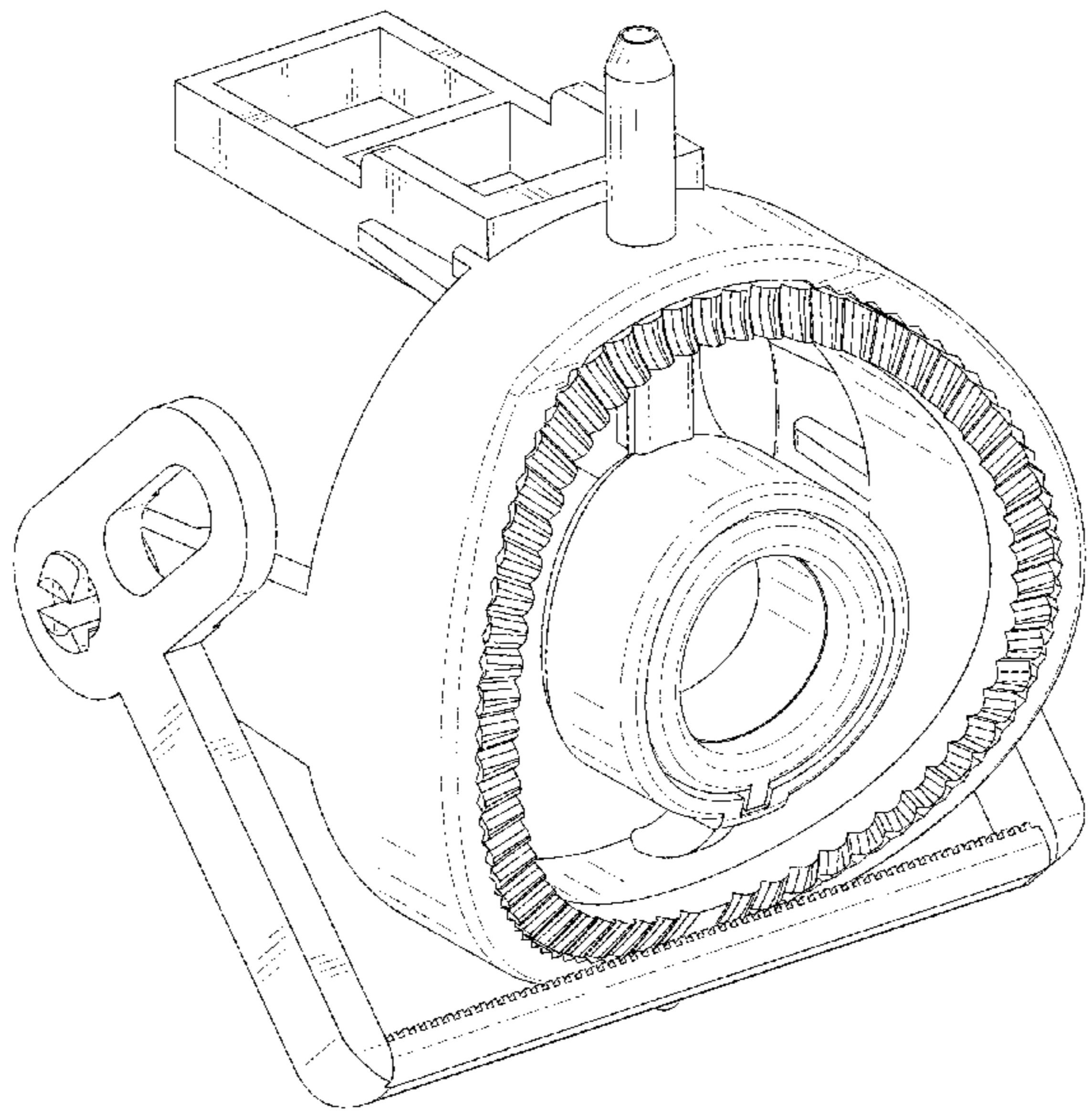
(57) **CLAIM**

The ornamental design for a bubble outlet, as shown and described.

DESCRIPTION

FIG. 1 is a perspective view of a bubble outlet showing my new design;
FIG. 2 is another perspective view thereof;
FIG. 3 is a front elevational view thereof;
FIG. 4 is a rear elevational view thereof;
FIG. 5 is a left side elevational view thereof;
FIG. 6 is a right side elevational view thereof;
FIG. 7 is a top plan view thereof;
FIG. 8 is a bottom plan view thereof; and,
FIG. 9 is a perspective view of the bubble outlet where the bubble outlet is in a configuration of use.
The broken lines shown in FIGS. 1-2 depict portions of the bubble outlet that form no part of the claimed design. All other broken lines shown in FIG. 9 depict environmental structure and form no part of the claimed design.

1 Claim, 9 Drawing Sheets



(56)

References Cited

U.S. PATENT DOCUMENTS

2018/0345164 A1* 12/2018 Venigalla A63H 33/28

OTHER PUBLICATIONS

FiGoal 2 Pack Shark Bubble Gun. Date First Available: Apr. 30, 2021. Retrieved from internet: <<https://www.amazon.com.au/FiGoal-Solution-Refills-Toddlers-Activities/dp/B093Y5D5KT/>> [site visited Apr. 20, 2022] (Year: 2021).*

* cited by examiner

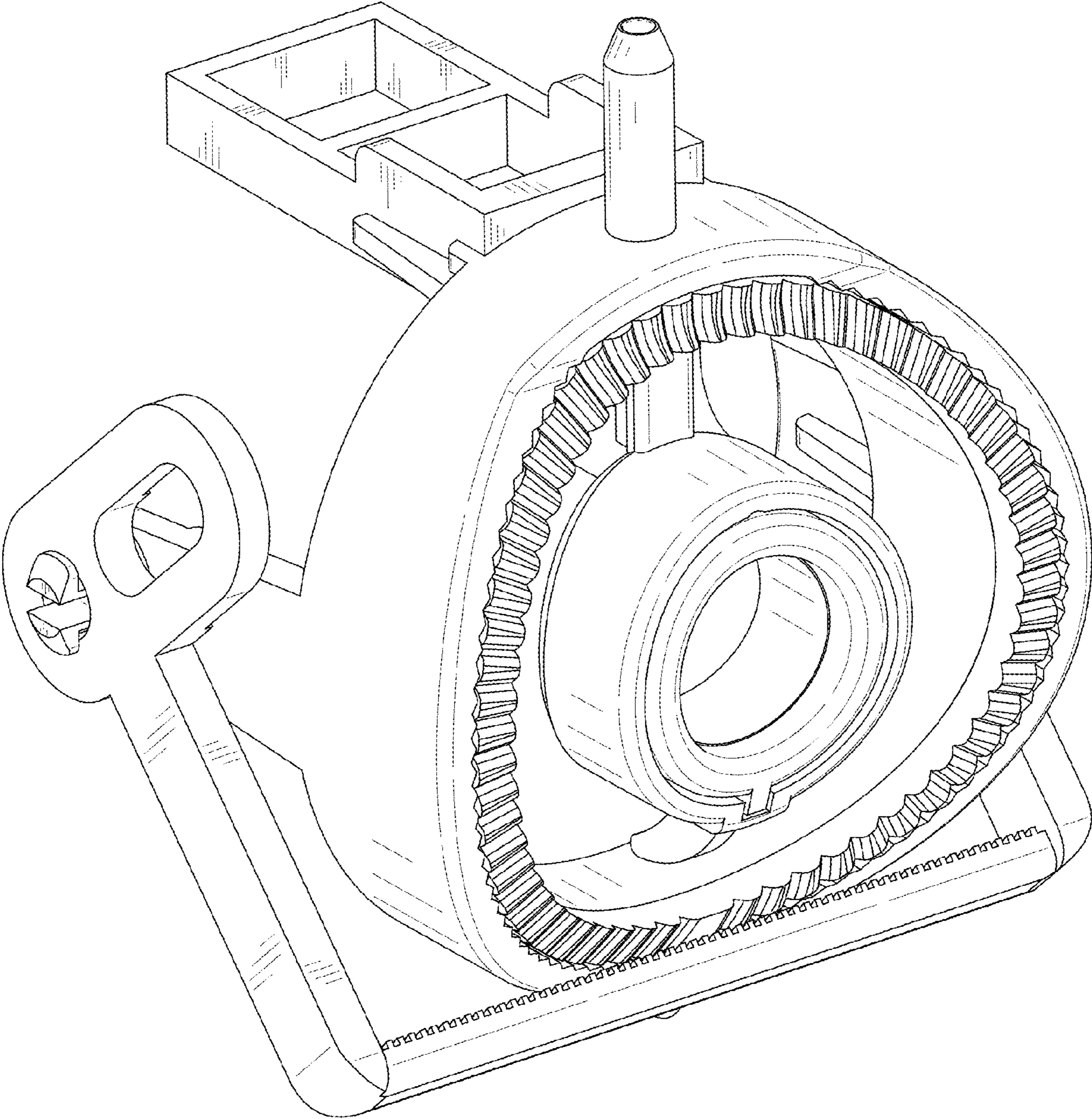


FIG. 1

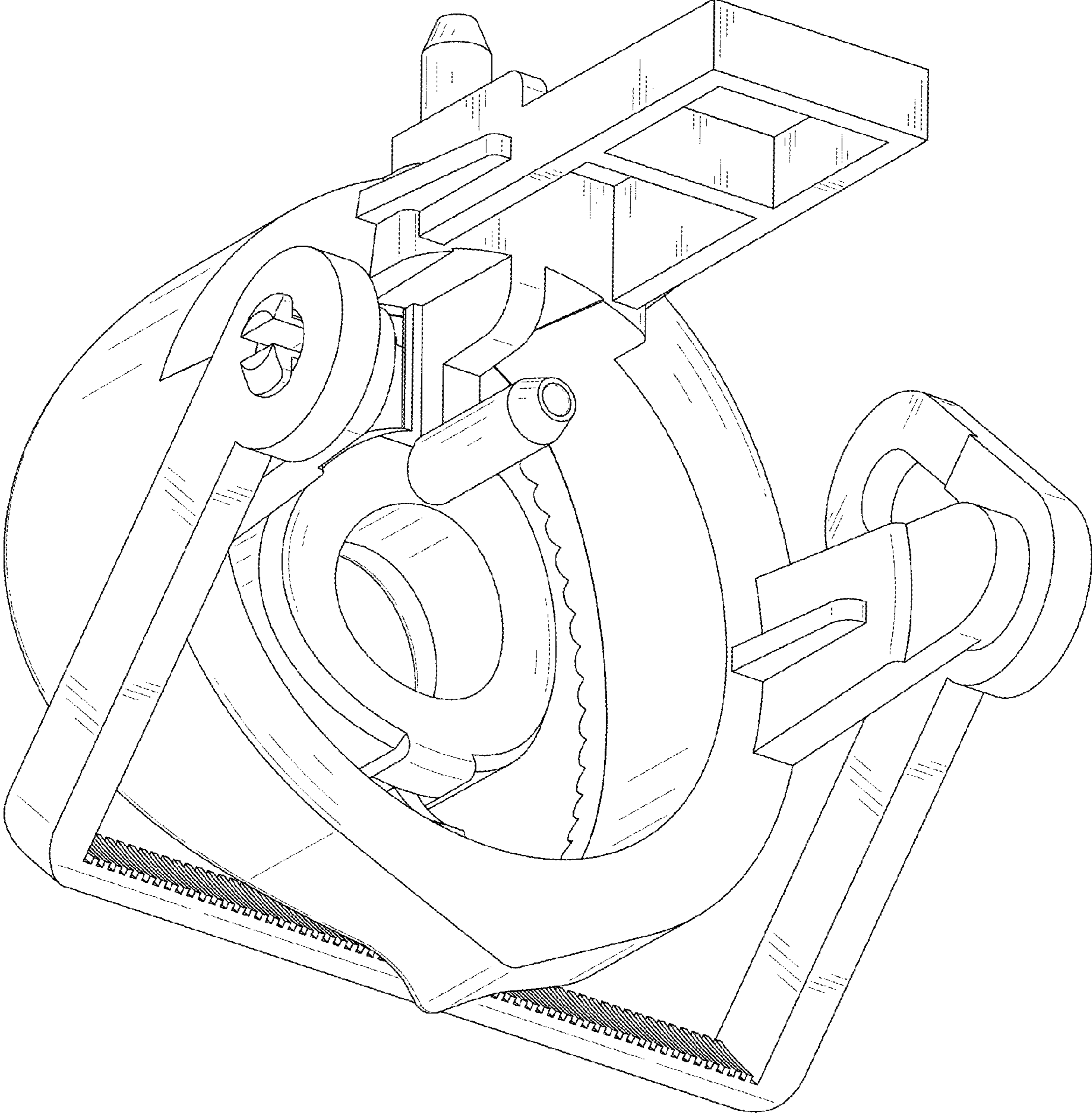


FIG. 2

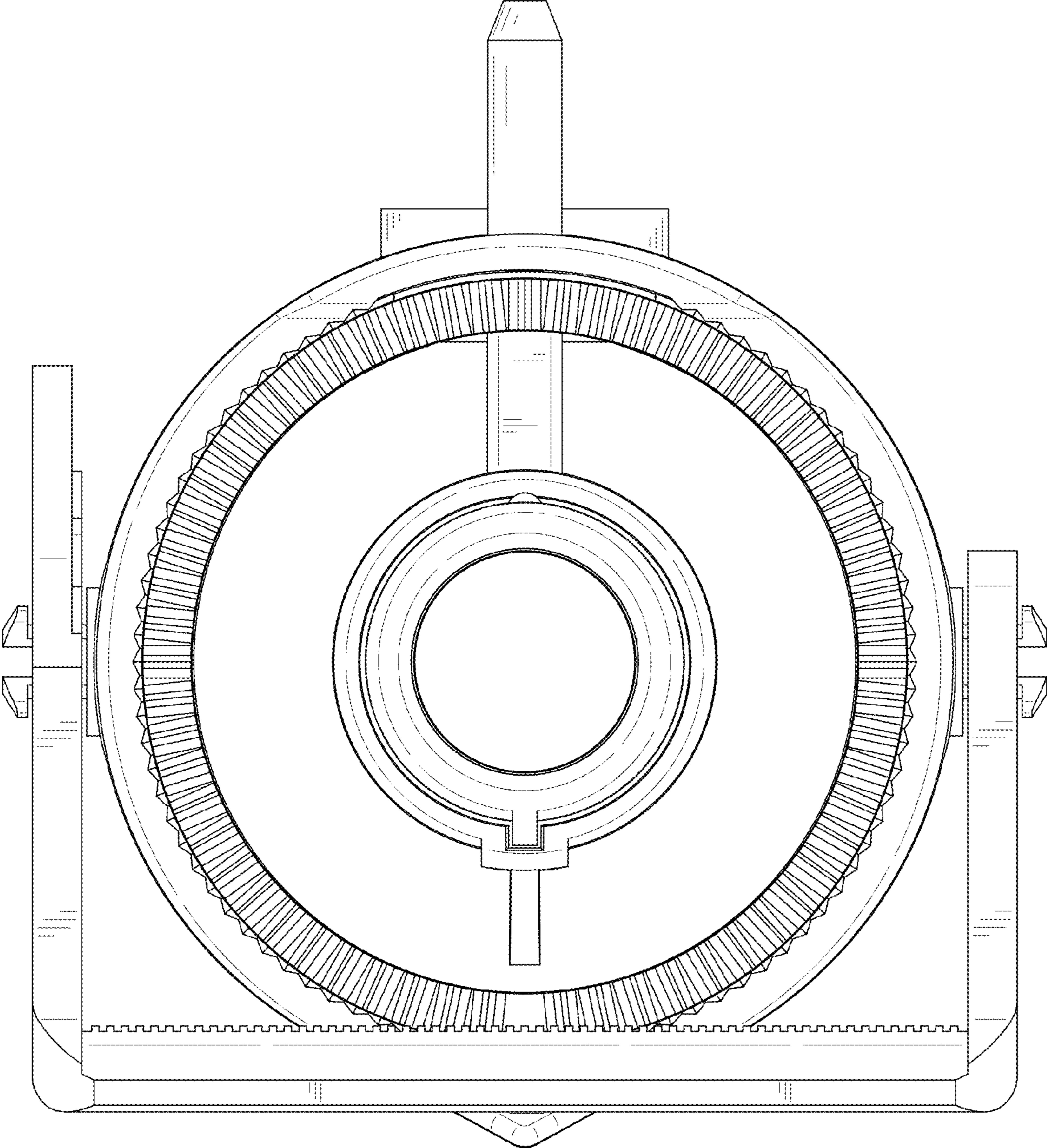


FIG. 3

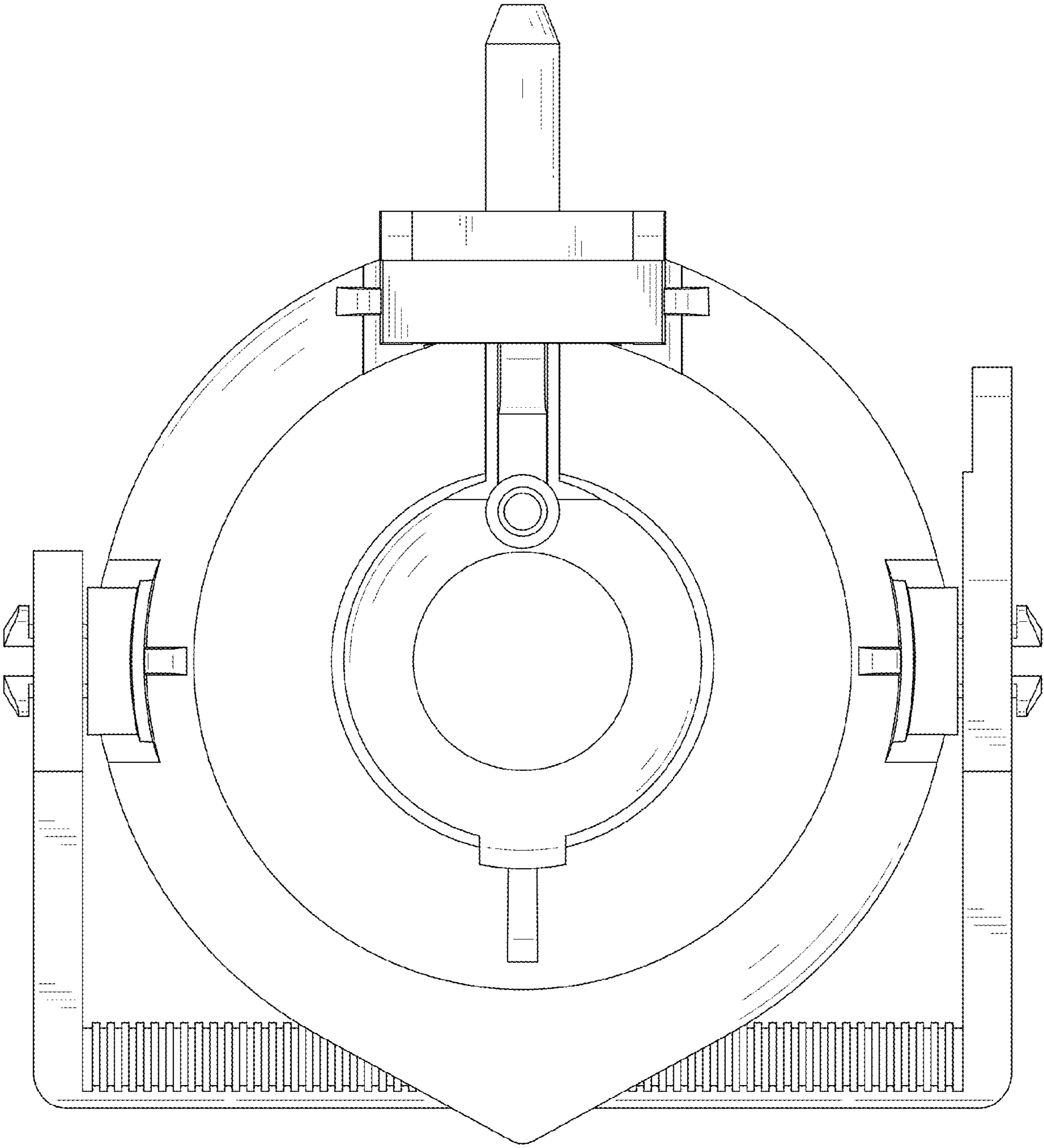


FIG. 4

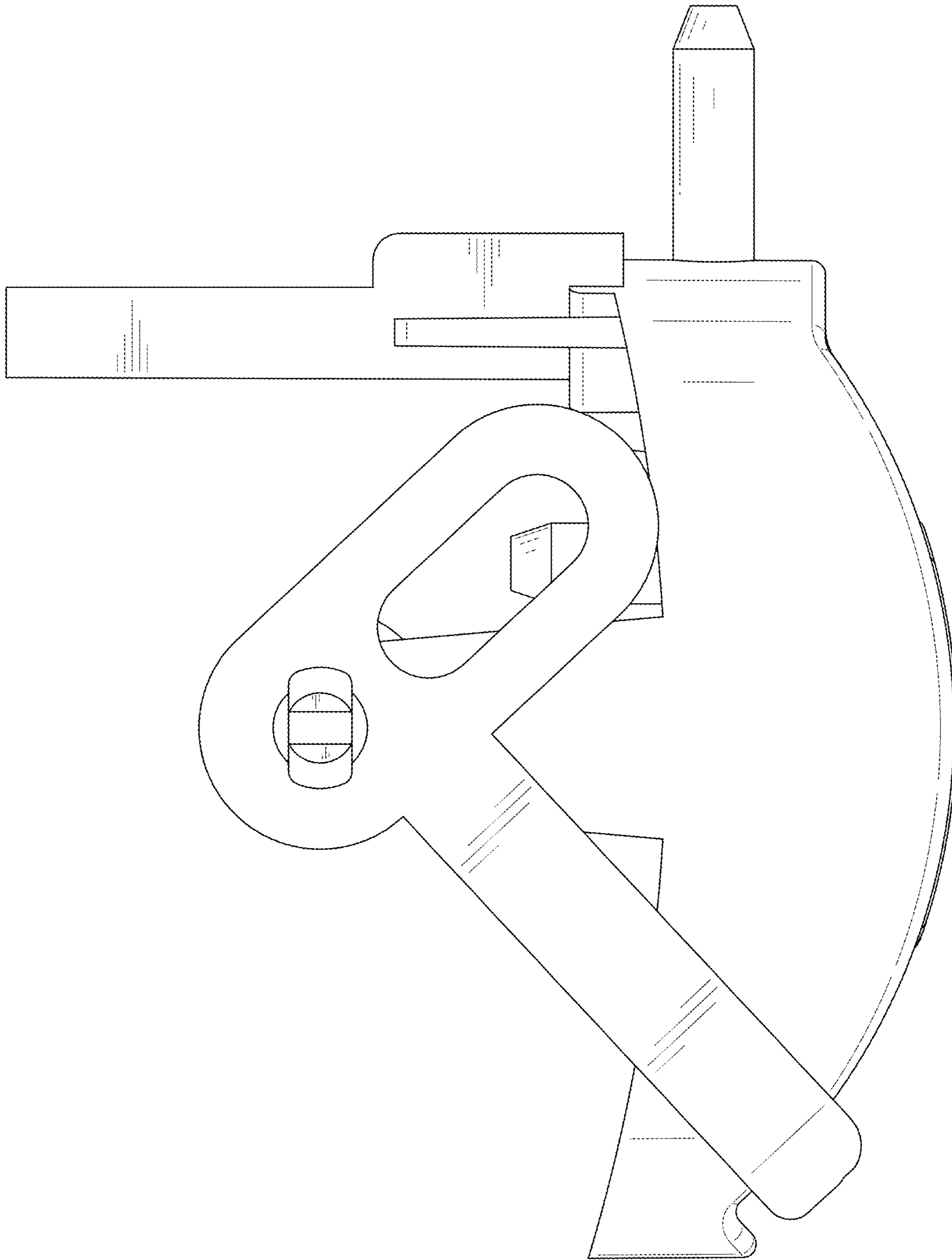


FIG. 5

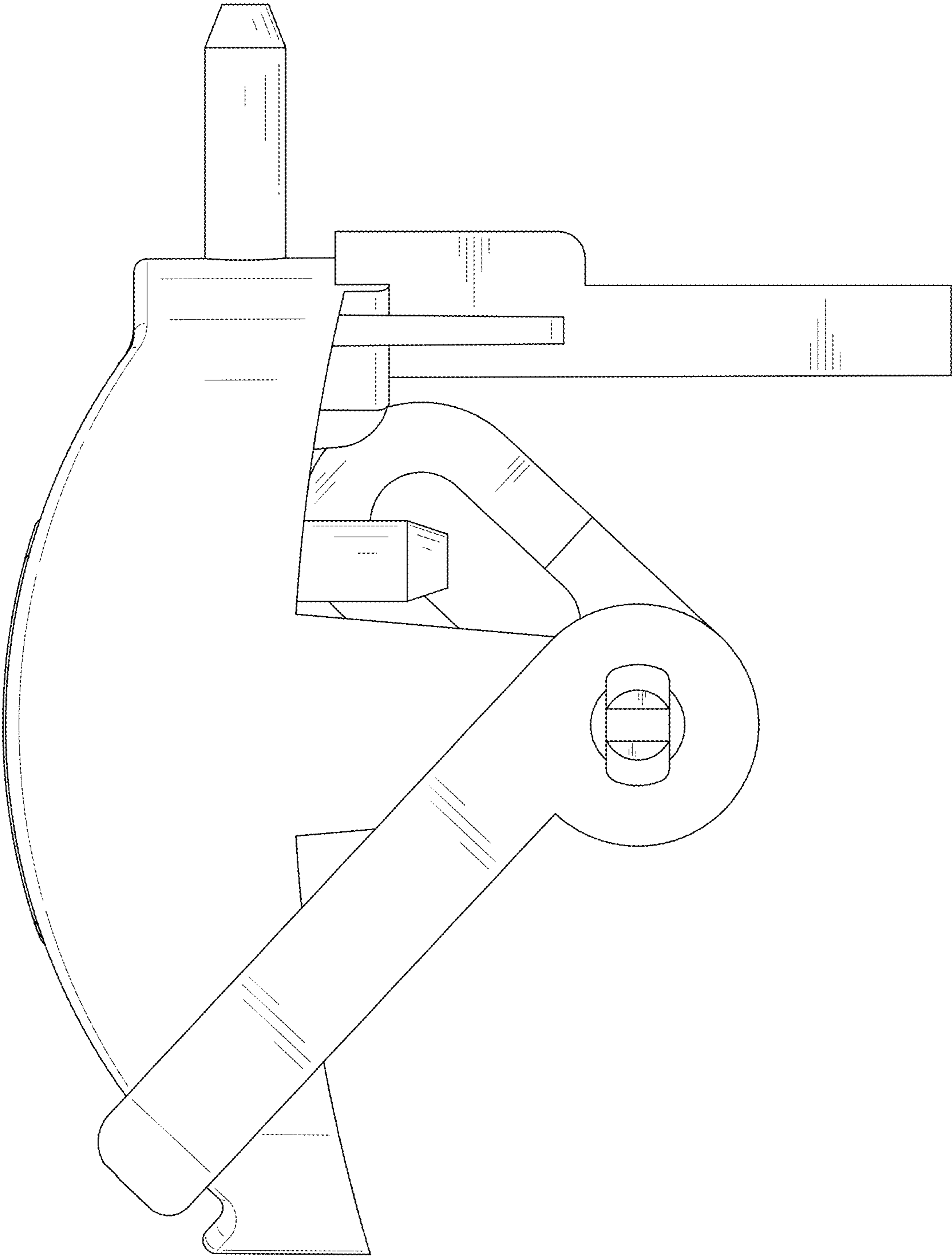


FIG. 6

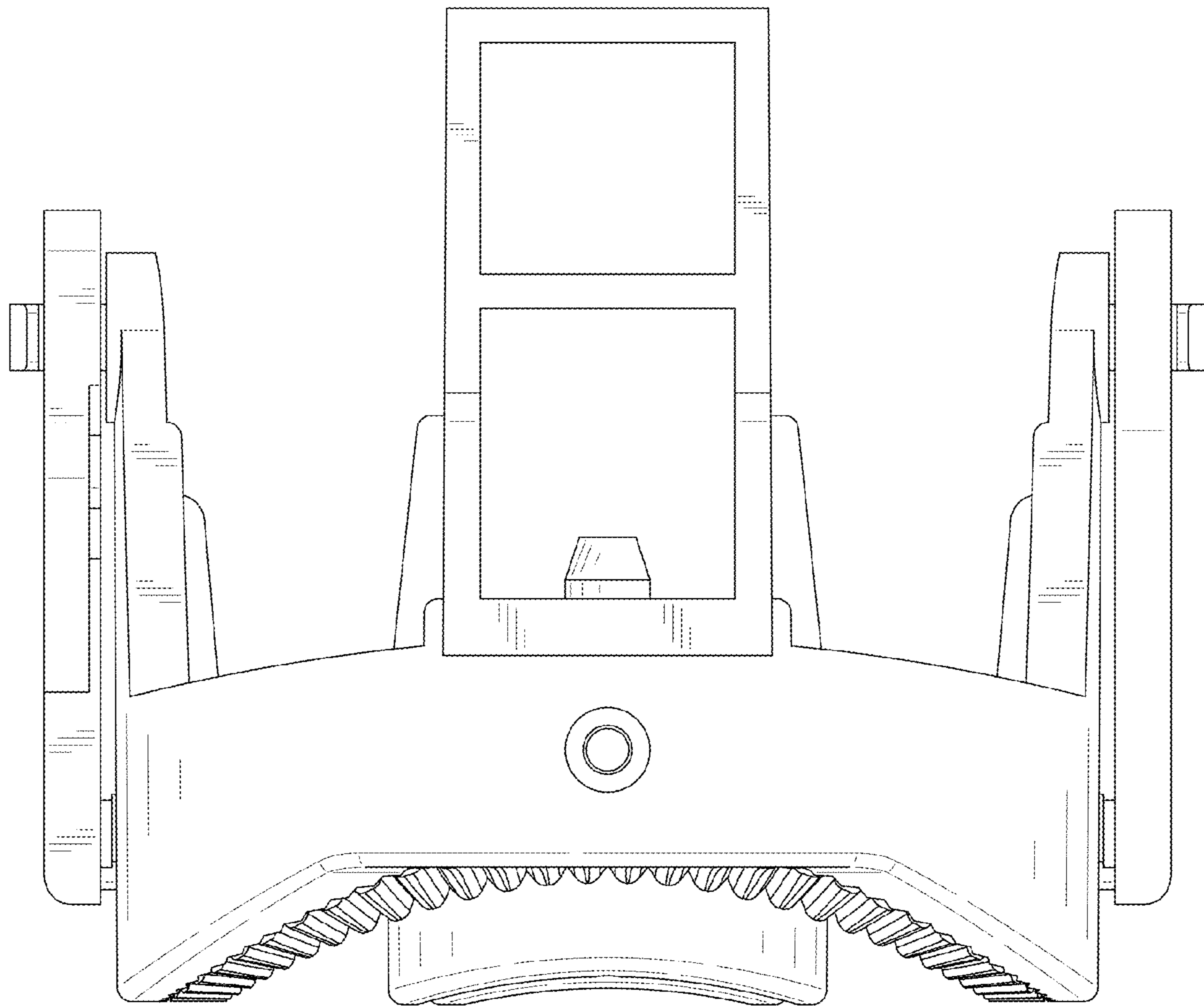


FIG. 7

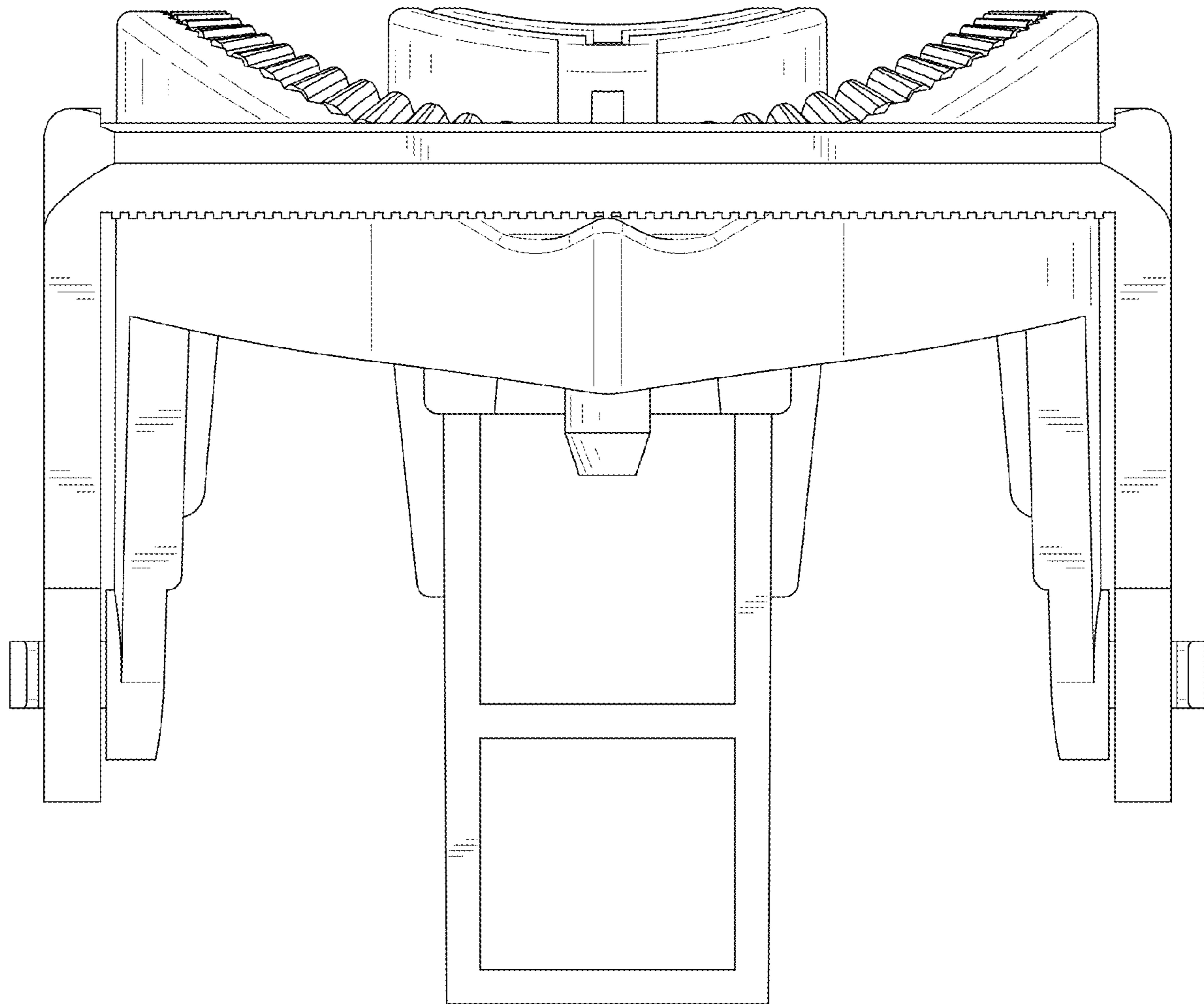


FIG. 8

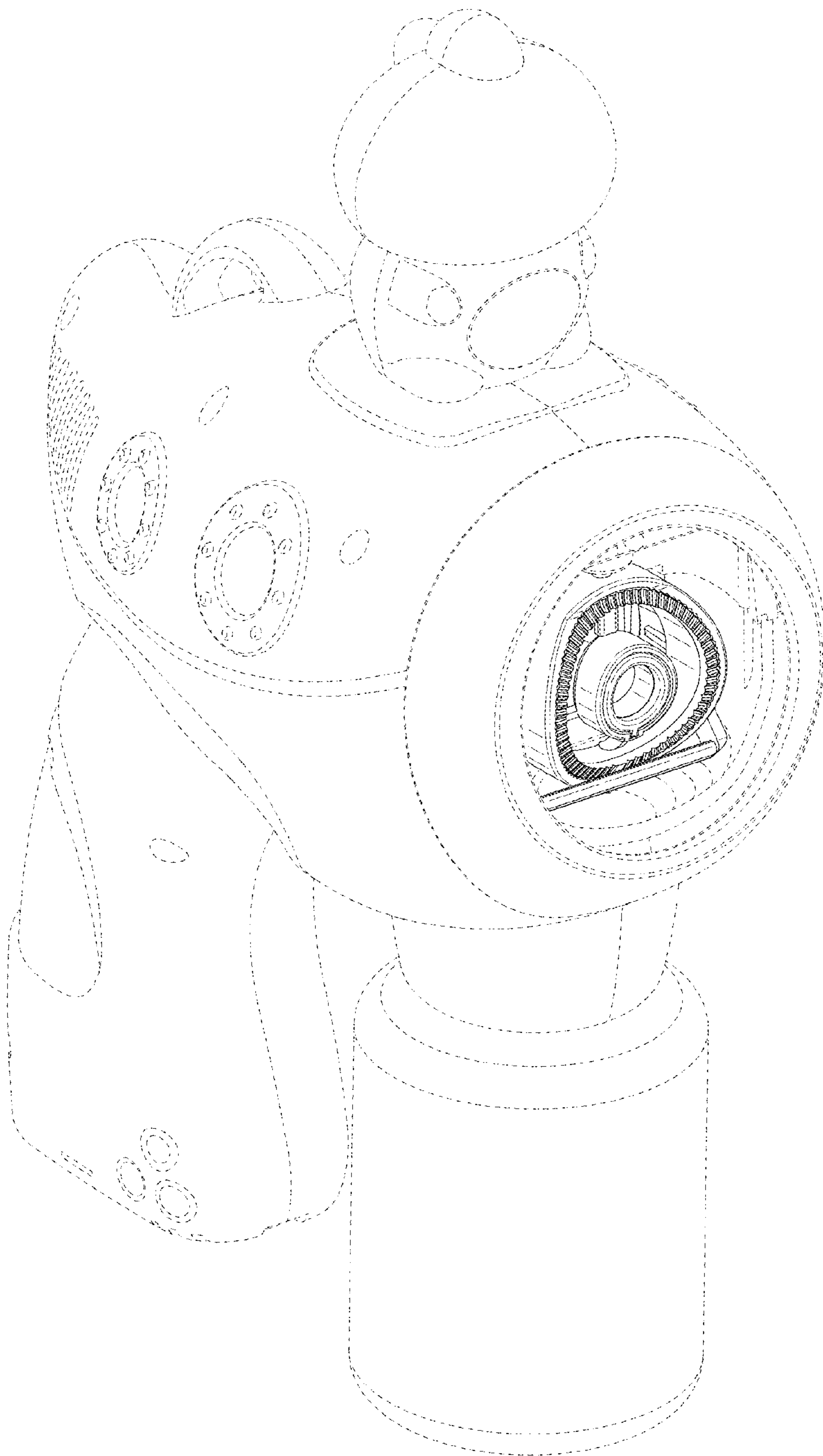


FIG. 9