



US00D956875S

(12) **United States Design Patent**
Donoho

(10) **Patent No.:** **US D956,875 S**

(45) **Date of Patent:** **** Jul. 5, 2022**

(54) **FLOATING TABLE**

(71) Applicant: **Brian K. Donoho**, Louisville, KY (US)

(72) Inventor: **Brian K. Donoho**, Louisville, KY (US)

(**) Term: **15 Years**

(21) Appl. No.: **29/722,287**

(22) Filed: **Jan. 28, 2020**

(51) **LOC (13) Cl.** **21-01**

(52) **U.S. Cl.**
USPC **D21/397**; D21/801

(58) **Field of Classification Search**
USPC D6/604, 641, 656, 656.1, 707.19;
D7/554.3; D21/341, 397, 801, 803, 804,
D21/805, 808, 809
CPC B63B 35/58; B63B 35/607; B63B 35/613;
B63C 9/30
See application file for complete search history.

D551,890 S * 10/2007 Gruber D6/601
D571,623 S * 6/2008 Loving
D574,665 S * 8/2008 James D7/553.4
D592,268 S * 5/2009 Montagnino D21/803
D624,622 S * 9/2010 Vick D21/803
7,850,534 B2 * 12/2010 Smith A63D 15/00
473/15
D663,364 S * 7/2012 Allmandinger D21/341
D665,594 S * 8/2012 Goldszer A45C 9/00
D6/406.3
9,021,973 B2 5/2015 Smith
D737,599 S * 9/2015 Aldridge A47B 13/08
D6/604
D740,373 S * 10/2015 Martin D21/397
D922,494 S * 6/2021 Torres Santana D21/397
2008/0003901 A1 1/2008 Viets
2009/0194941 A1 * 8/2009 Boyd A63B 67/007
273/340

* cited by examiner

Primary Examiner — Joseph Kukella
(74) *Attorney, Agent, or Firm* — Cramer Patent & Design, PLLC; Aaron R. Cramer

(56) **References Cited**
U.S. PATENT DOCUMENTS

D187,764 S * 4/1960 Rodriguez D21/805
D260,125 S * 8/1981 Rogers 5/653
4,822,309 A * 4/1989 Vandenberg A45C 9/00
297/188.01
D366,190 S * 1/1996 Vance D21/348
D372,829 S * 8/1996 Sirey 5/653
D413,488 S * 9/1999 Foley A63D 15/00
D7/553.8
6,029,845 A 2/2000 Mueller
6,085,926 A 7/2000 Weiss
6,491,179 B2 12/2002 Dokum
D486,190 S * 2/2004 Winter D21/397
D486,876 S * 2/2004 Wilbanks D21/809
D491,233 S * 6/2004 Winter A47B 13/08
D21/397
6,976,434 B2 * 12/2005 Roig A47B 25/00
108/25

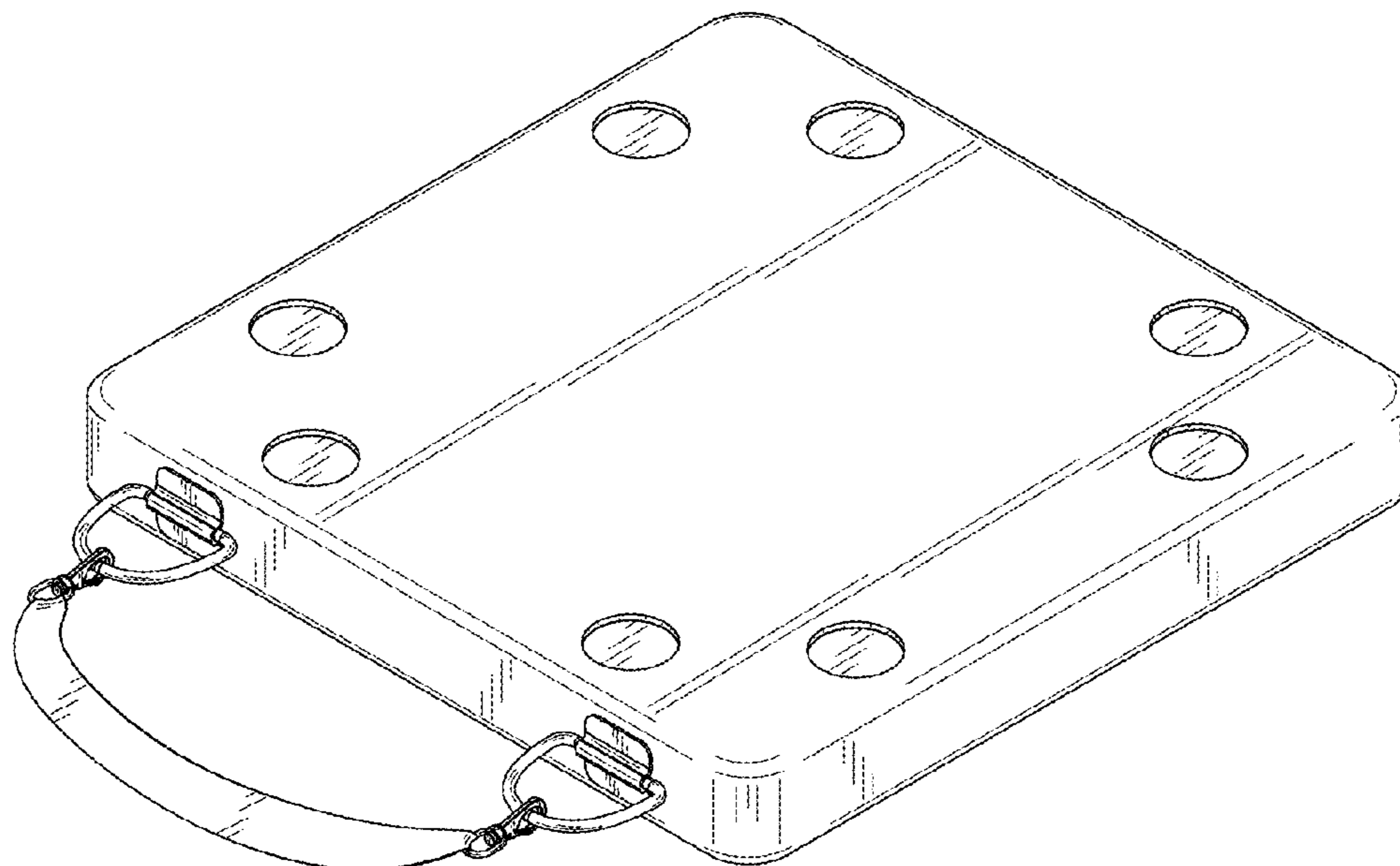
(57) **CLAIM**

The ornamental design for a floating table, as shown and described.

DESCRIPTION

FIG. 1 is a perspective top front right view of a floating table, showing my new design;
FIG. 2 is a perspective top rear left view thereof;
FIG. 3 is a front elevation view thereof;
FIG. 4 is a rear elevation view thereof;
FIG. 5 is a right elevation view thereof;
FIG. 6 is a left elevation view thereof;
FIG. 7 is a top plan view thereof; and,
FIG. 8 is a bottom plan view thereof.

1 Claim, 6 Drawing Sheets



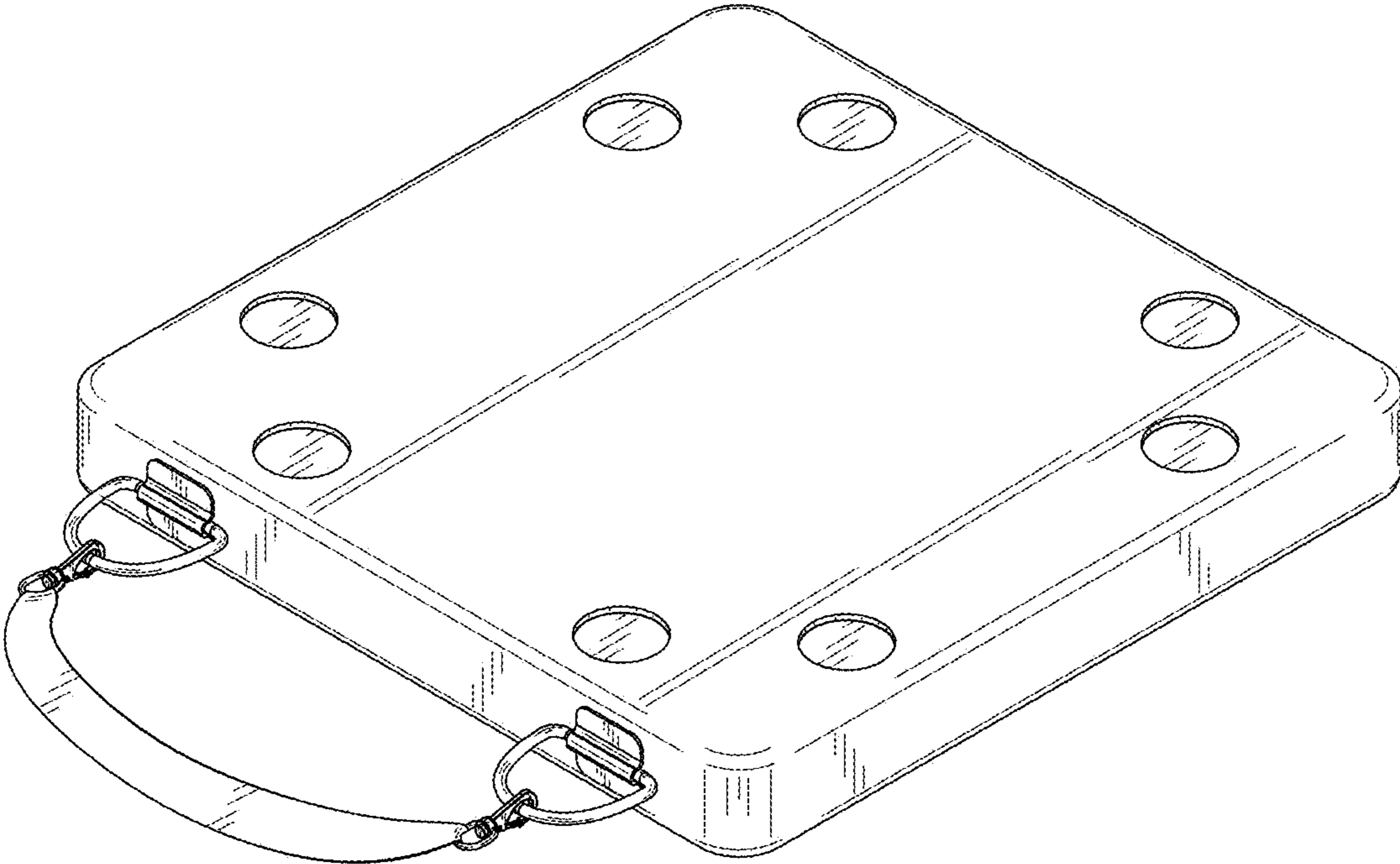


FIG. 1

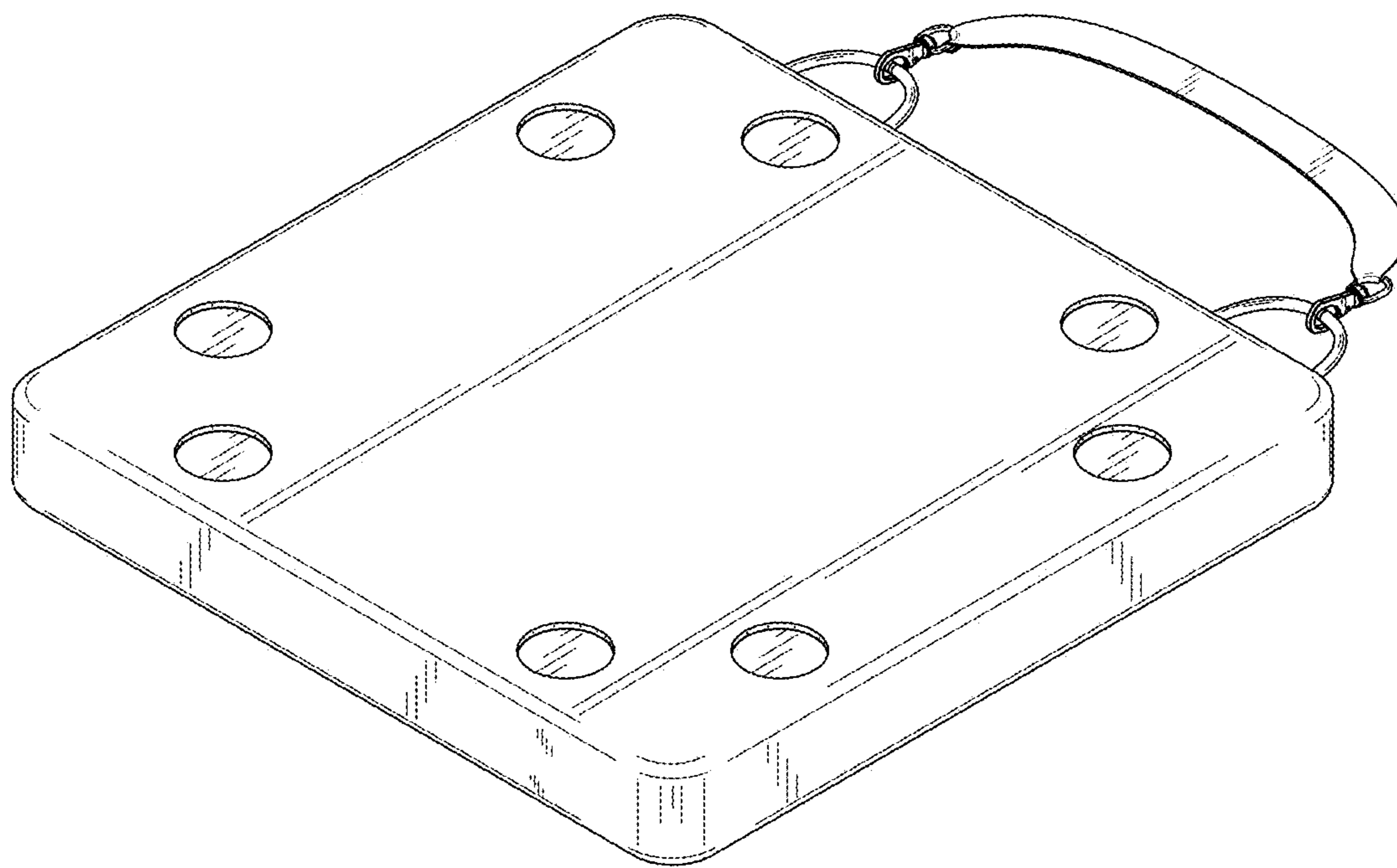


FIG. 2

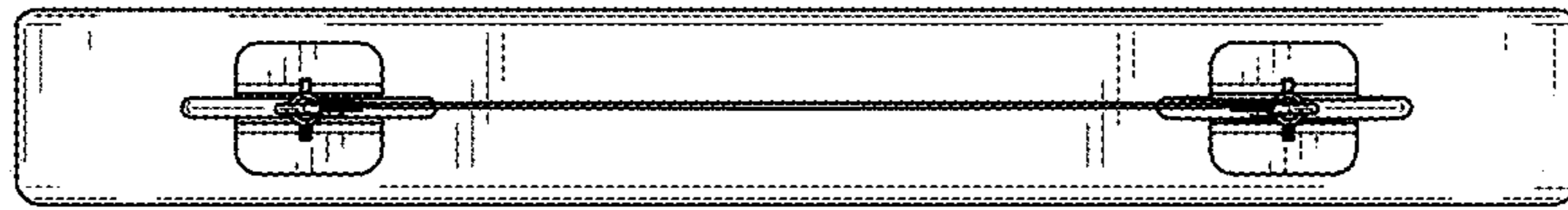


FIG. 3

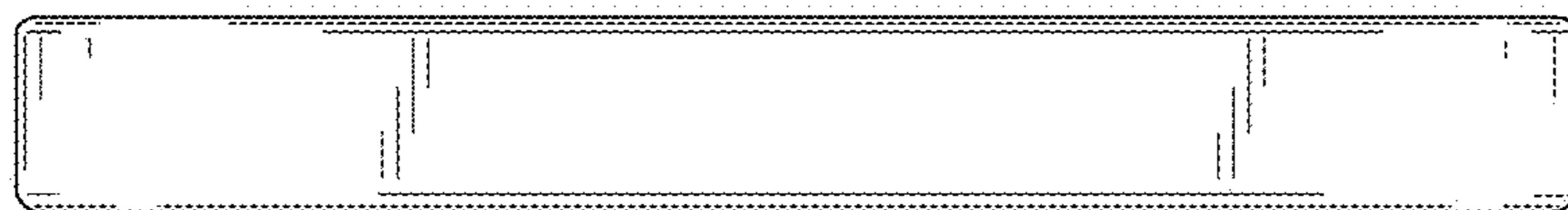


FIG. 4



FIG. 5

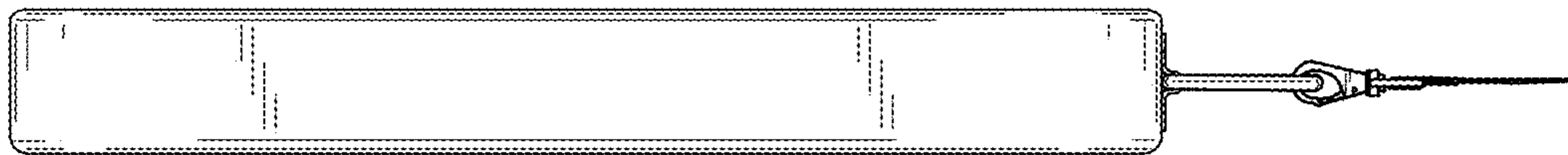


FIG. 6

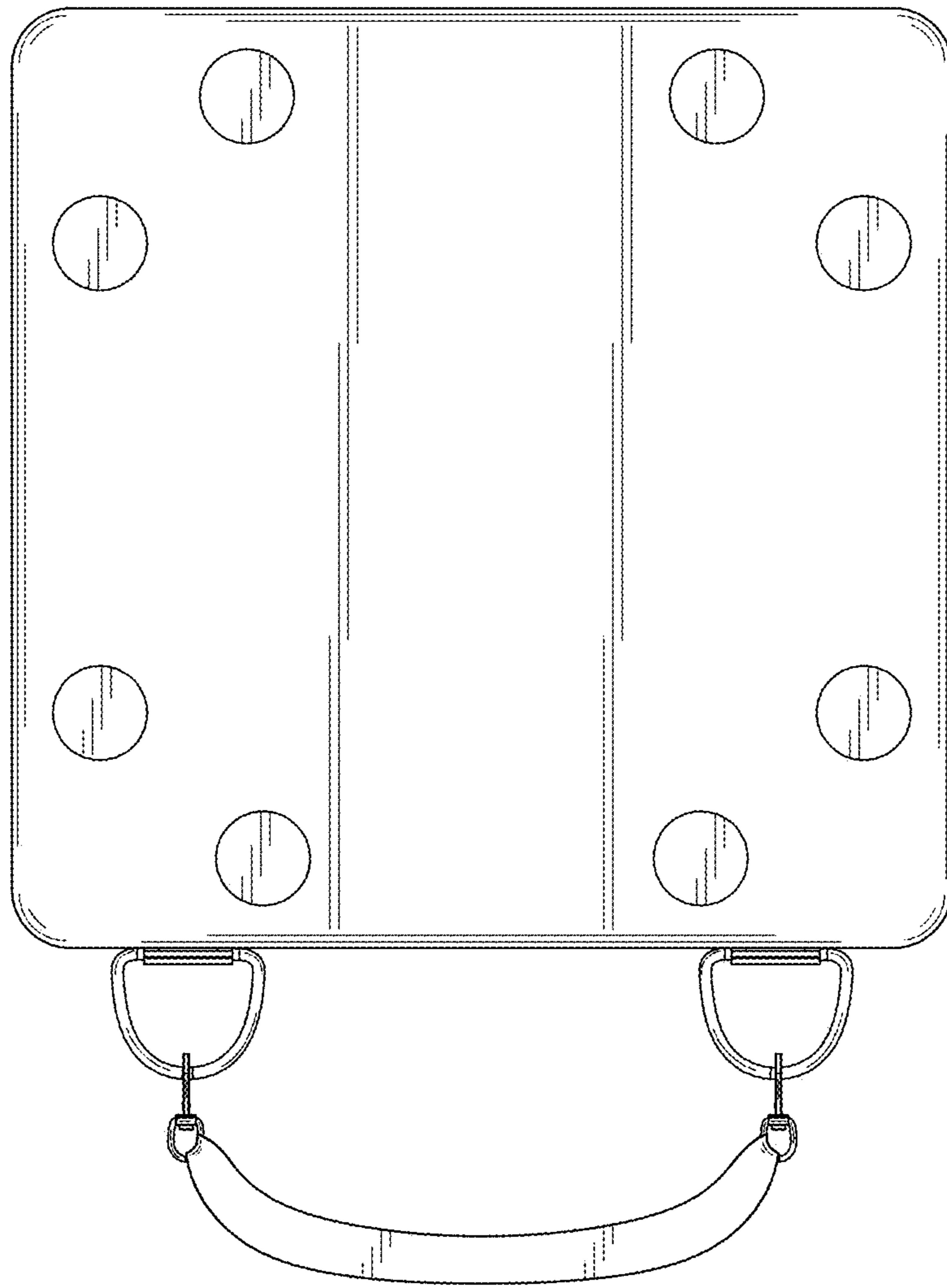


FIG. 7

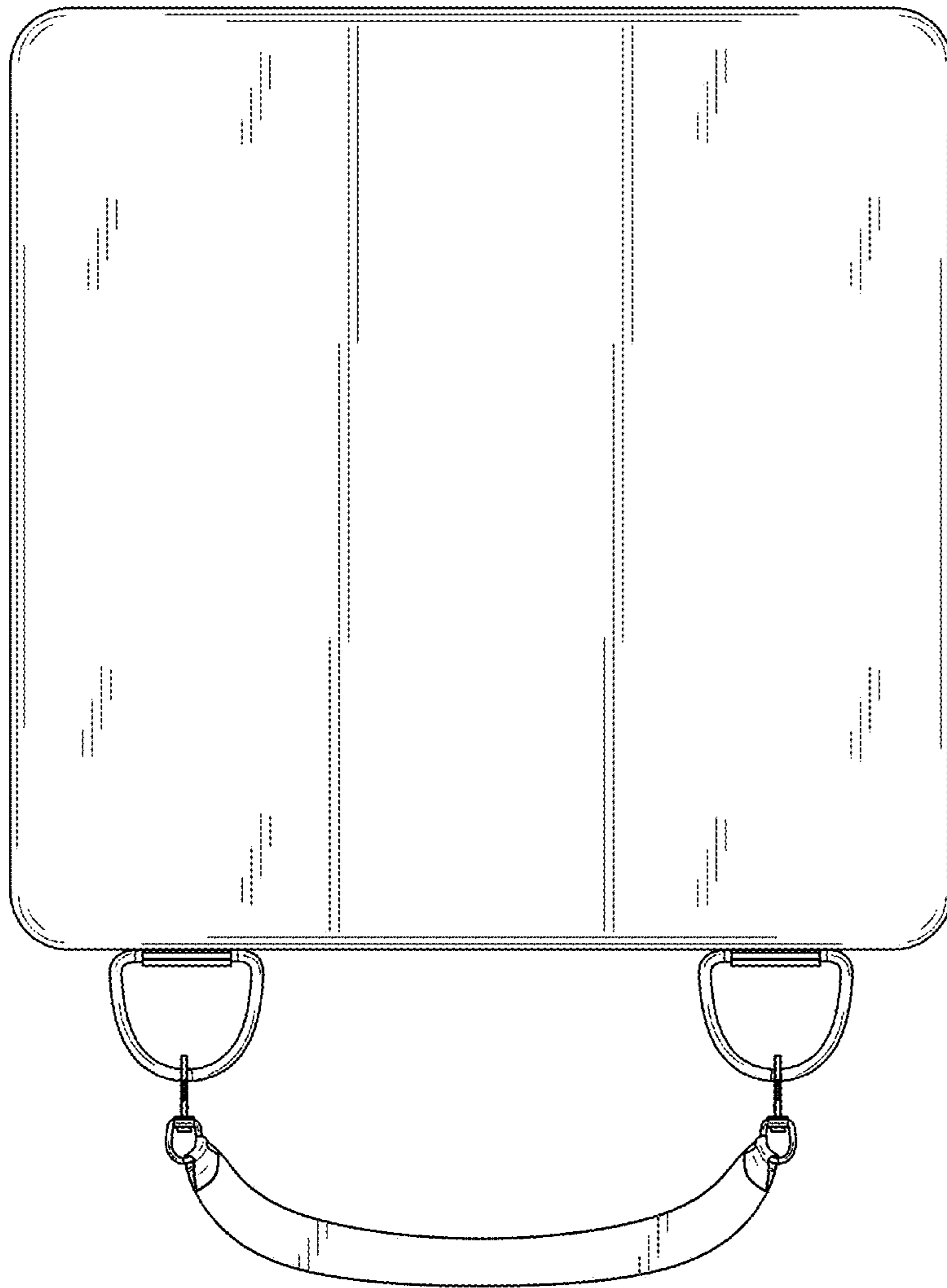


FIG. 8