



US00D956873S

(12) **United States Design Patent** (10) **Patent No.:** **US D956,873 S**
Guo (45) **Date of Patent:** **** Jul. 5, 2022**

(54) **GAME CONTROLLER**

(71) Applicant: **SHENZHEN SAITAKE ELECTRONIC CO., LTD**, Guangdong (CN)

(72) Inventor: **Siming Guo**, Guangdong (CN)

(73) Assignee: **SHENZHEN SAITAKE ELECTRONIC CO., LTD**, Shenzhen (CN)

(**) Term: **15 Years**

(21) Appl. No.: **29/752,548**

(22) Filed: **Sep. 28, 2020**

(30) **Foreign Application Priority Data**

Jul. 27, 2020 (CN) 202030413694.8

(51) **LOC (13) Cl.** **21-01**

(52) **U.S. Cl.**
USPC **D21/333**

(58) **Field of Classification Search**
USPC D21/325, 326, 327, 333, 324, 328, 332, D21/566, 329, 330, 694; D14/401, 400, D14/454, 412, 496, 416, 418, 413, 203.3, D14/203.5, 218, 415, 252, 414, 419, 457, D14/203, 203.1, 203.7, 204, 217, 240, D14/253, 333, 342, 357, 358, 388, 403, D14/434, 455, 456, 410, 492, 258, 301, D14/393, 432, 489
CPC G06F 1/1666; G06F 17/00; G06F 19/00; A63F 9/24; A63F 13/00; A63F 13/23; A63F 13/235; A63F 13/24; A63F 13/26; A63F 13/843; A63F 13/98; A63F 13/323; A63F 2009/2488; A63F 2009/2407; A63F 2250/52; A63F 2300/00; A63F 2300/1031; A63F 2300/8088; A63F 2300/1025

See application file for complete search history.

(56) **References Cited**

U.S. PATENT DOCUMENTS

D712,408 S *	9/2014	Sumii	D14/401
D712,971 S *	9/2014	Huang	D14/401
D715,296 S *	10/2014	Huang	D14/401
D727,430 S *	4/2015	Sumii	D21/333
D733,140 S *	6/2015	Sumii	D14/401
D780,759 S *	3/2017	Ironmonger	D14/401

(Continued)

OTHER PUBLICATIONS

GSRMQYQ Wireless Controller. Date First Available: Dec. 28, 2021. Retrieved from internet: <<https://www.amazon.com/GSRMQYQ-Wireless-Controller-Compatible-Vibration/dp/B09PBYBNQQ/>> [site visited Mar. 10, 2022] (Year: 2021).*

(Continued)

Primary Examiner — Jonathan J Han

Assistant Examiner — Yuan Yuan

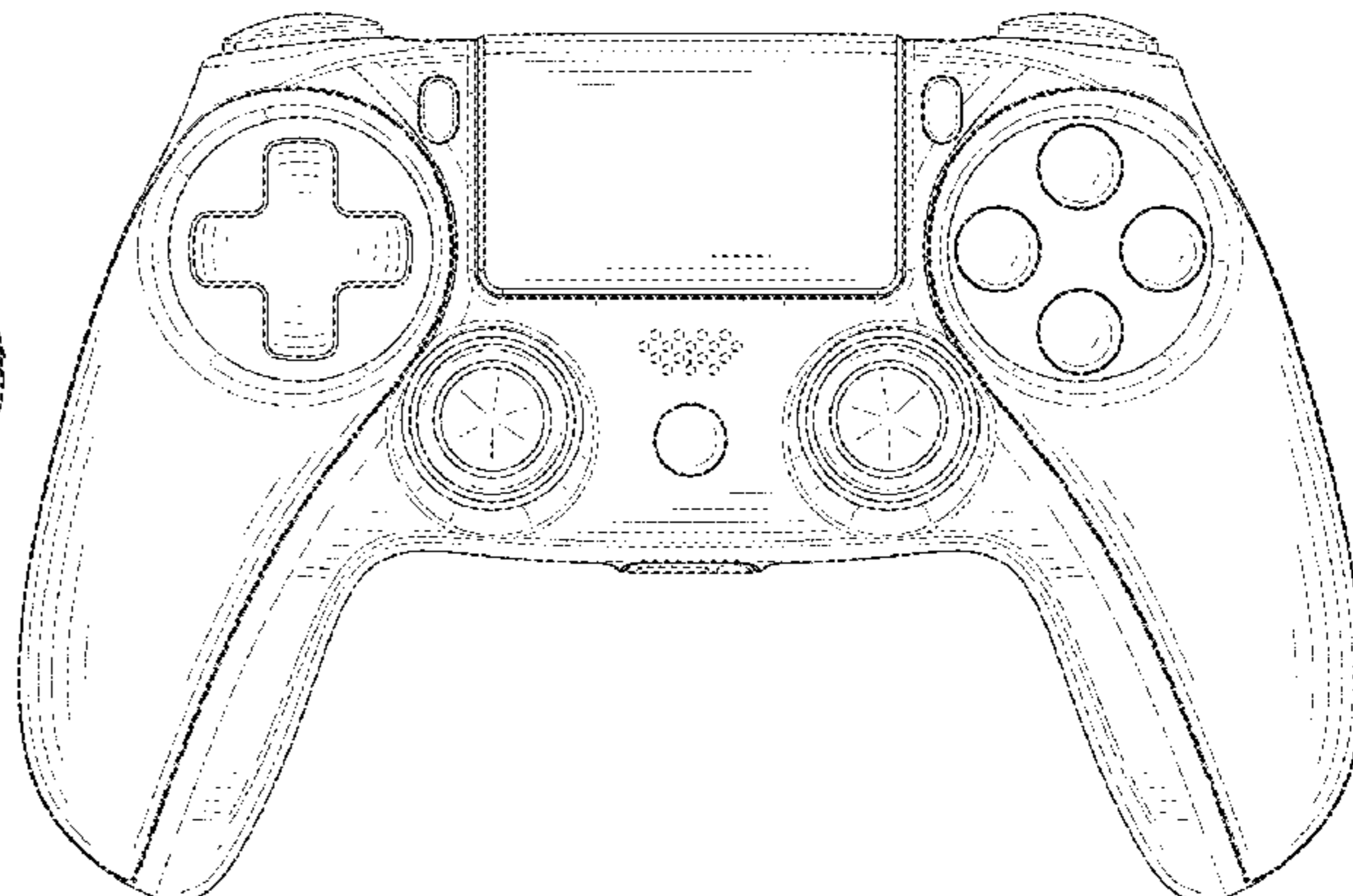
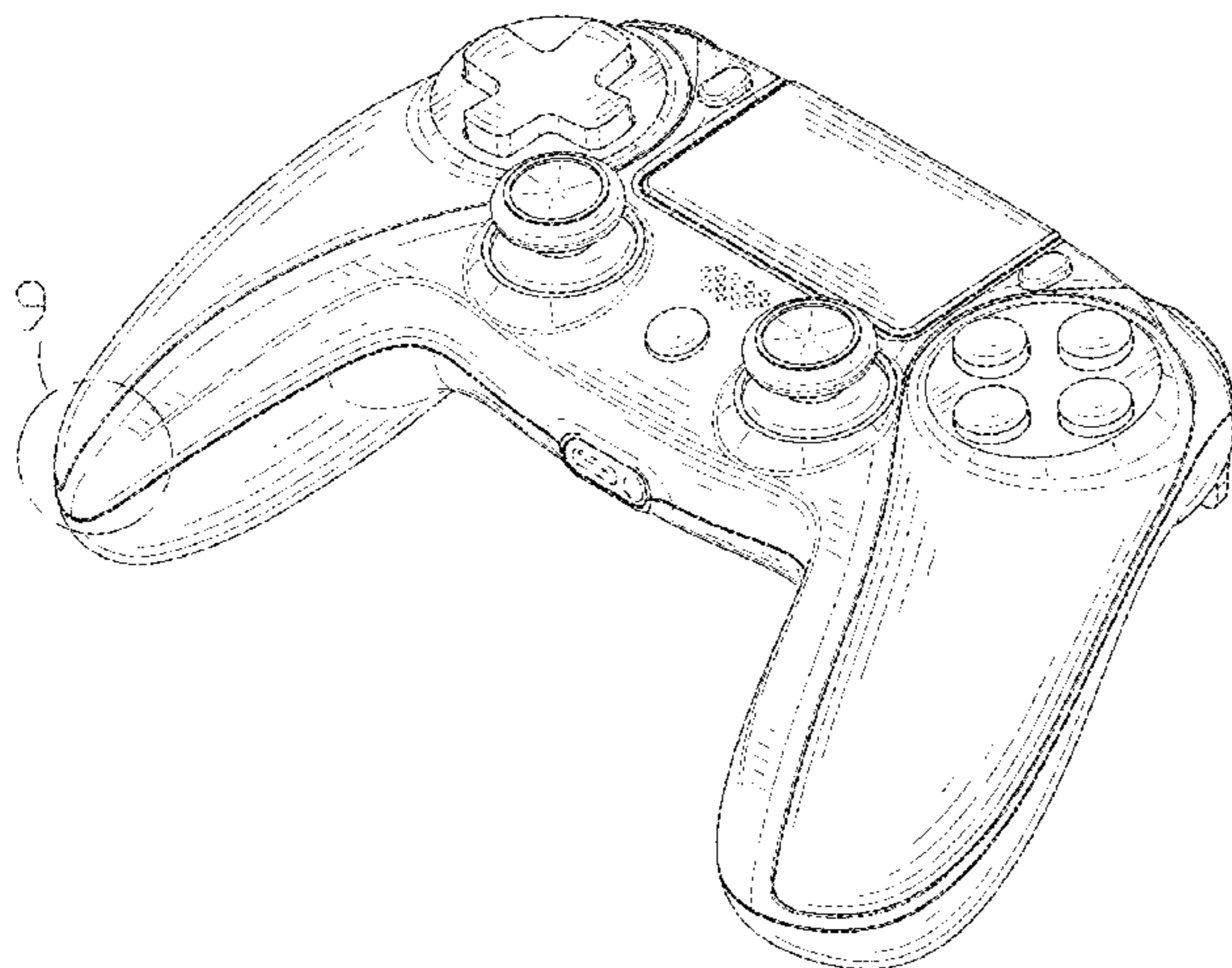
(57) **CLAIM**

The ornamental design for a game controller, as shown and described.

DESCRIPTION

FIG. 1 is a bottom, front and right side perspective view of a game controller showing my new design; FIG. 2 is a top, rear and left side perspective view thereof; FIG. 3 is a front elevational view thereof; FIG. 4 is a rear elevational view thereof; FIG. 5 is a left side elevational view thereof; FIG. 6 is a right side elevational view thereof; FIG. 7 is a top plan view thereof; FIG. 8 is a bottom plan view thereof; and, FIG. 9 is an enlarged view of the area labeled "9" in FIG. 1. The broken lines in the drawings illustrate portions of the game controller that form no part of the claimed design.

1 Claim, 9 Drawing Sheets



(56)

References Cited

U.S. PATENT DOCUMENTS

D780,760	S	*	3/2017	Ironmonger	D14/401
D867,460	S	*	11/2019	Yan	D21/333
D875,179	S	*	2/2020	Wang	D21/333
D878,475	S	*	3/2020	Jetter	D21/333
D881,281	S	*	4/2020	Tong	D21/333
D890,263	S	*	7/2020	Tong	D21/333
D923,097	S	*	6/2021	Zhao	D21/333
D923,100	S	*	6/2021	Zhou	D21/333
D935,460	S	*	11/2021	Zhu	D14/401
2017/0151494	A1	*	6/2017	Ironmonger	A63F 13/22
2018/0104574	A1	*	4/2018	Tager	A63F 13/20
2019/0388779	A1	*	12/2019	Morita	A63F 13/214
2020/0016485	A1	*	1/2020	Ironmonger	A63F 13/24
2020/0054940	A1	*	2/2020	Andall	G06F 3/038
2021/0060414	A1	*	3/2021	Goldman	A63F 13/218
2021/0060418	A1	*	3/2021	Kawashima	G06F 3/016
2021/0299552	A1	*	9/2021	Morita	H04R 3/005
2021/0299554	A1	*	9/2021	Kobayashi	A63F 13/21
2022/0016520	A1	*	1/2022	Morita	H04R 1/406

OTHER PUBLICATIONS

Kydlan PS4 Controller Wireless. Date First Available: Oct. 5, 2020.
Retrieved from internet: <<https://www.amazon.co.uk/Kydlan-Controller-Wireless-Playstation-Function-Red/dp/B08J2R8GS7>> [site visited Mar. 17, 2022] (Year: 2020).*

* cited by examiner

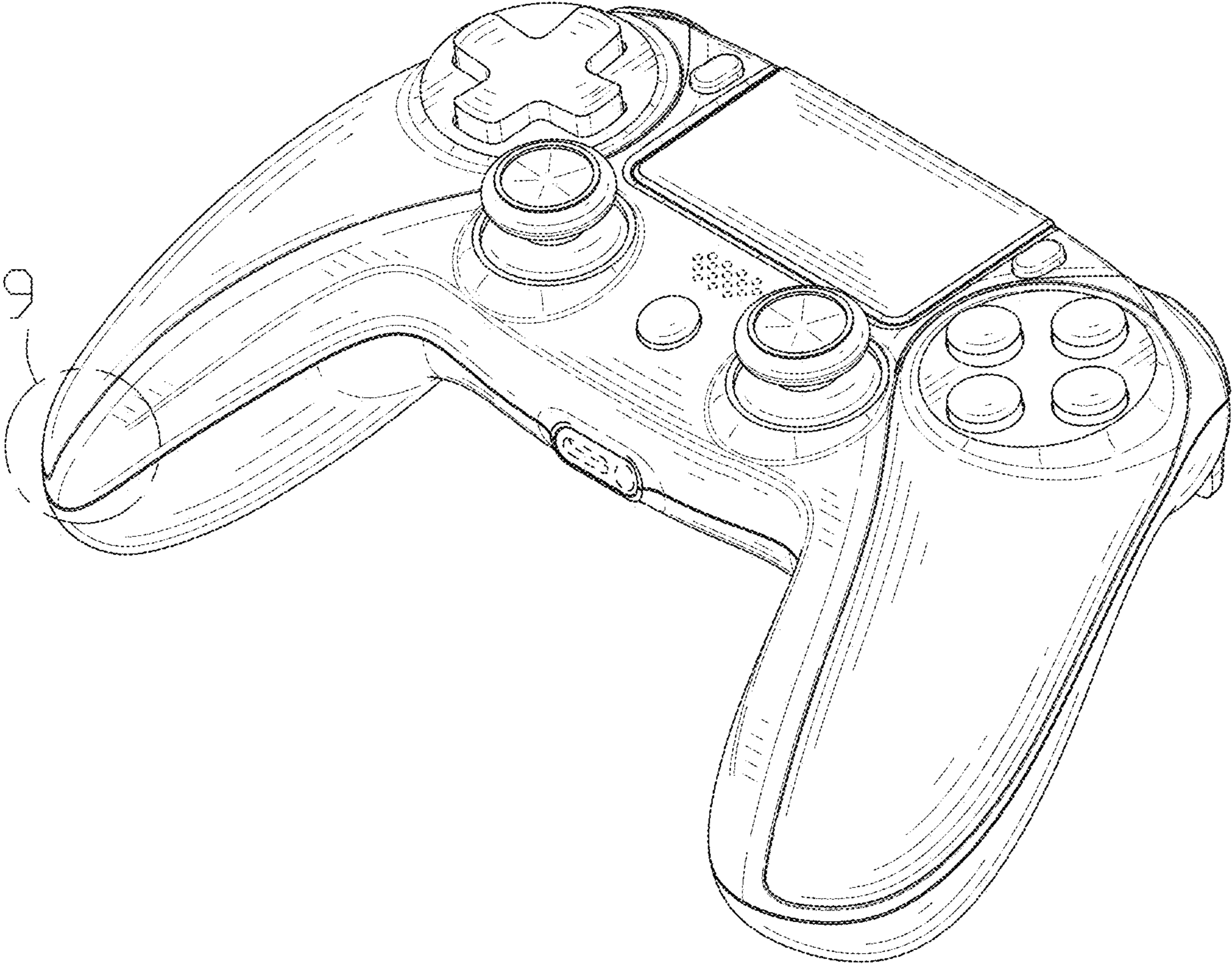


FIG. 1

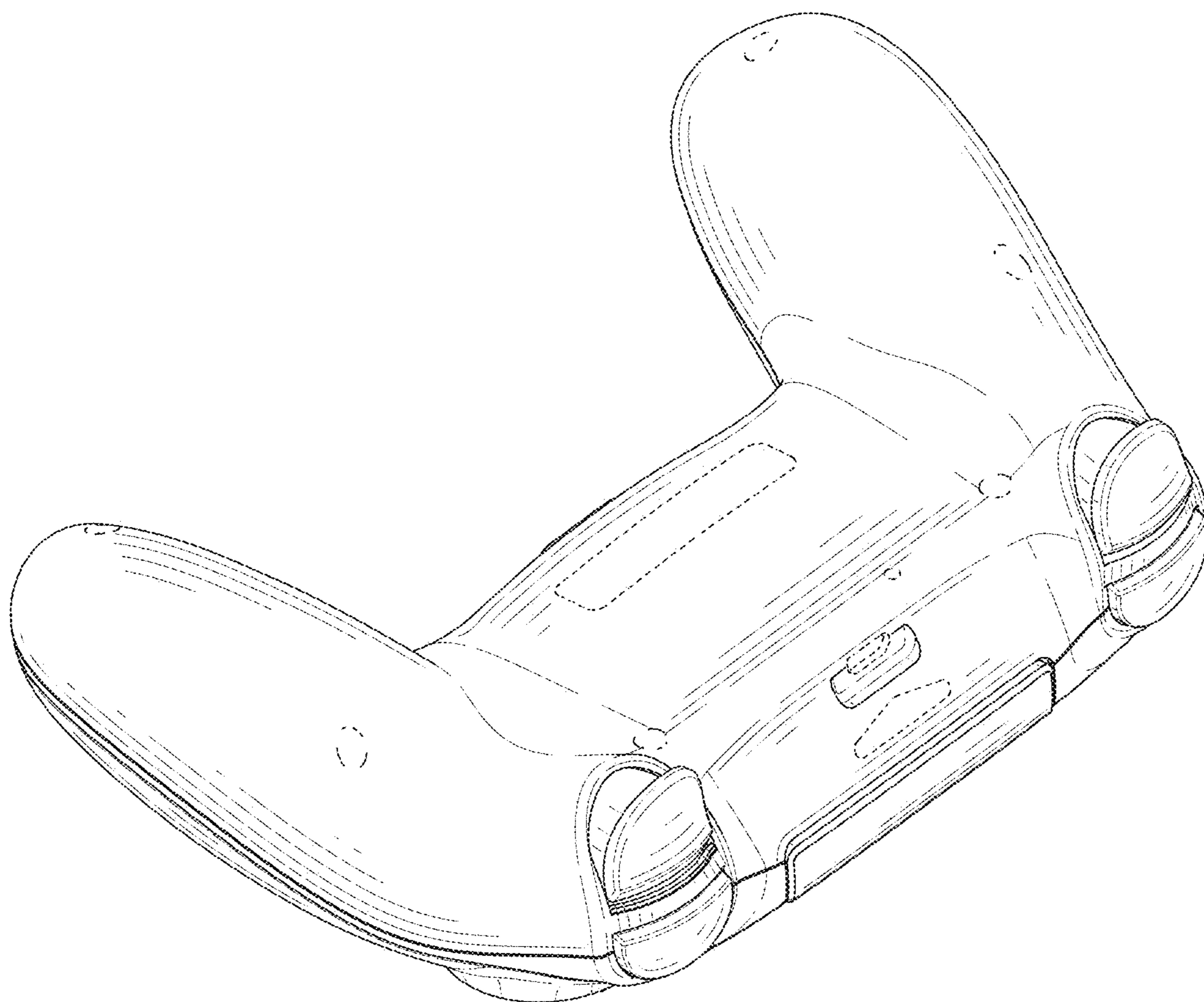


FIG. 2

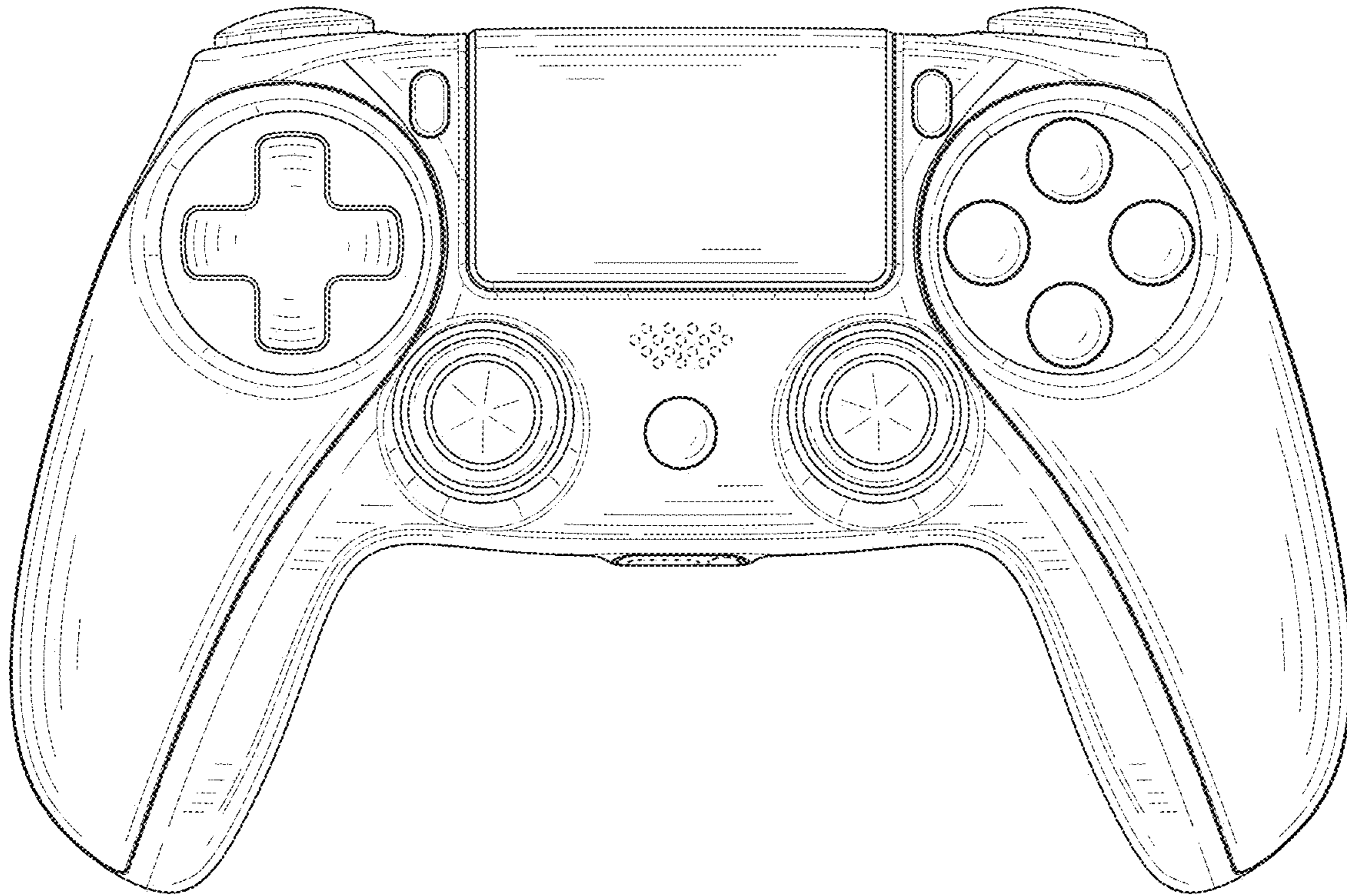


FIG. 3

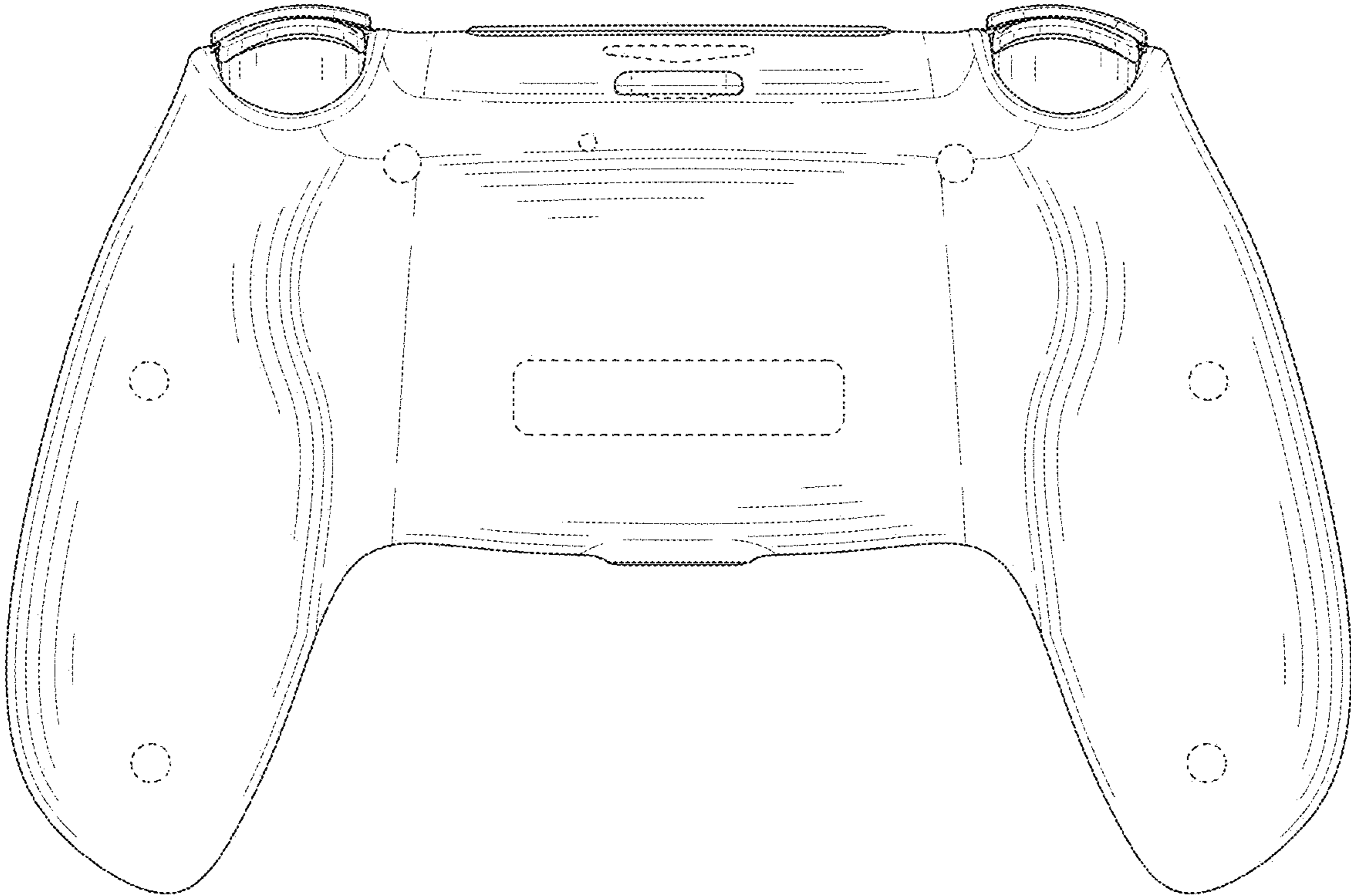


FIG. 4

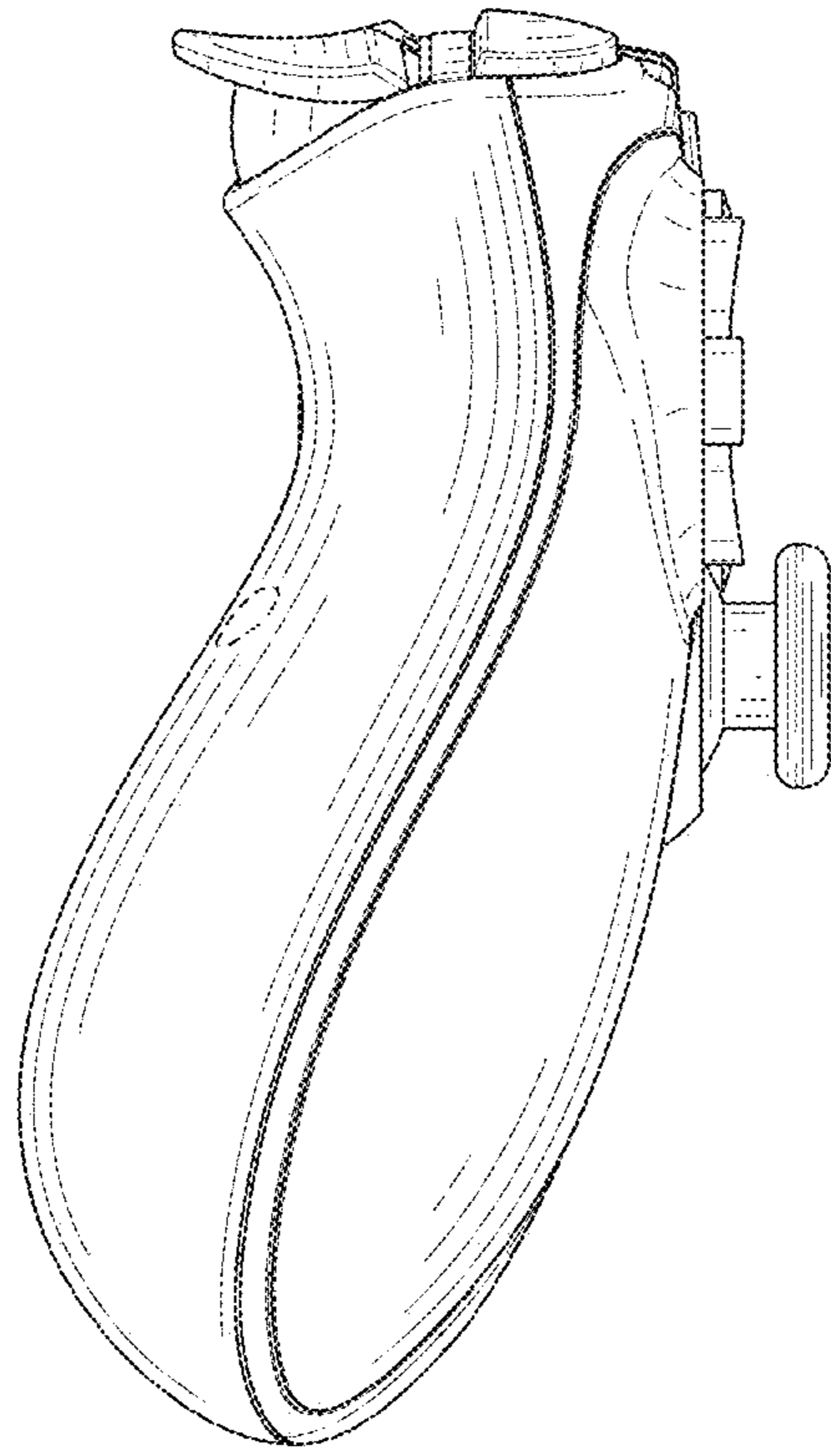


FIG. 5

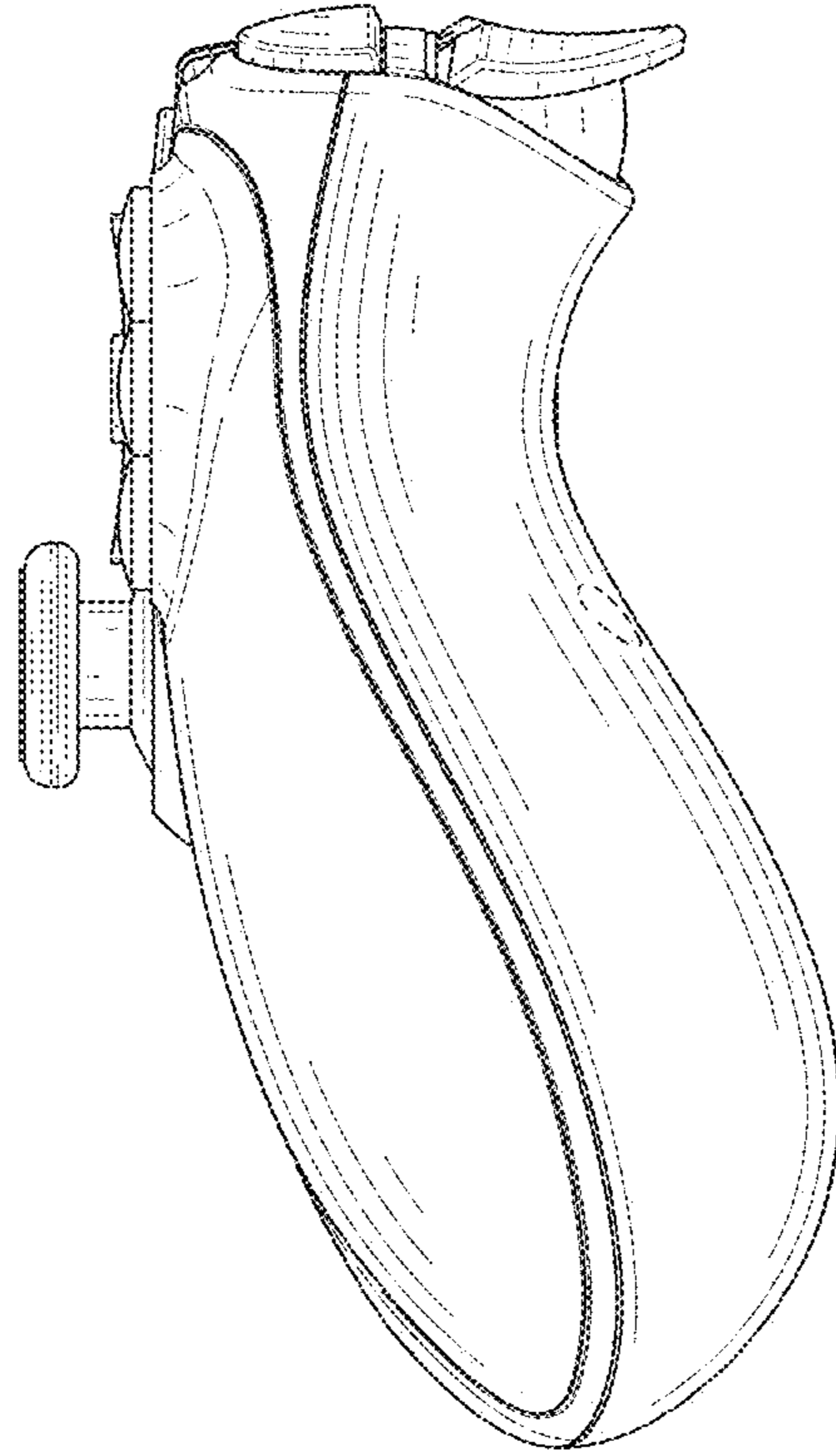


FIG. 6

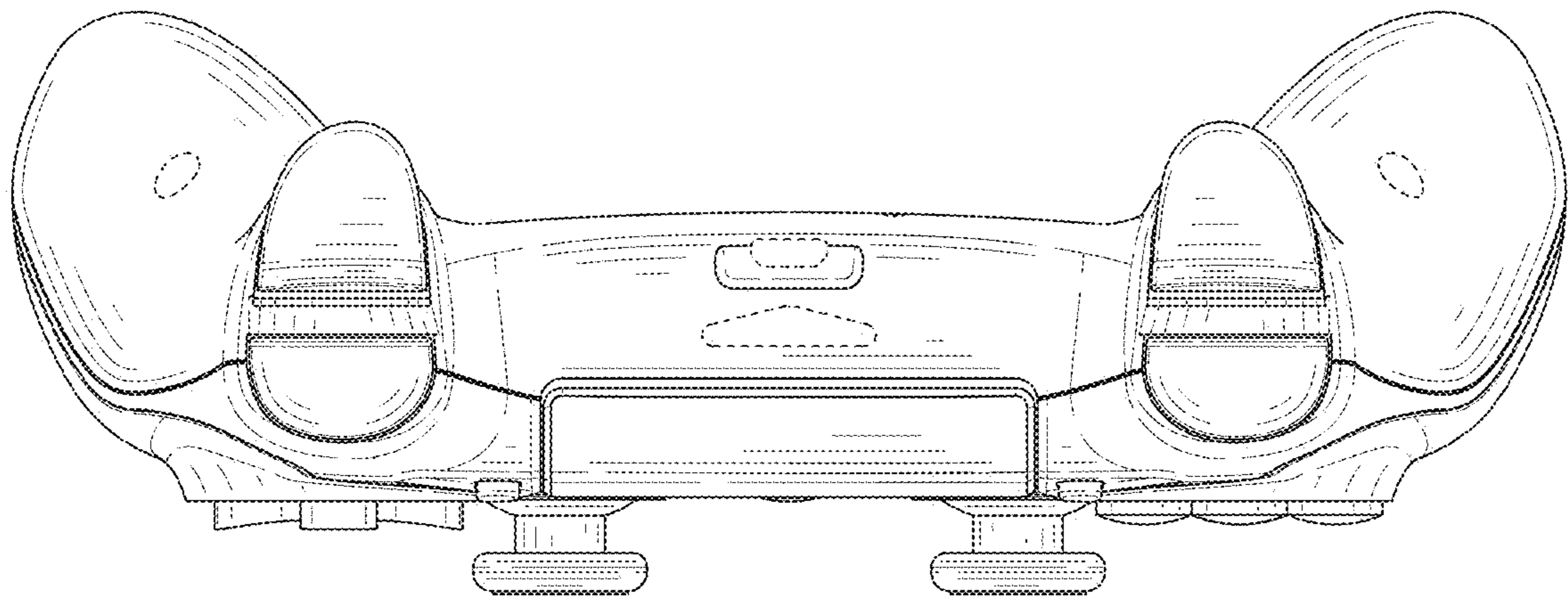


FIG. 7

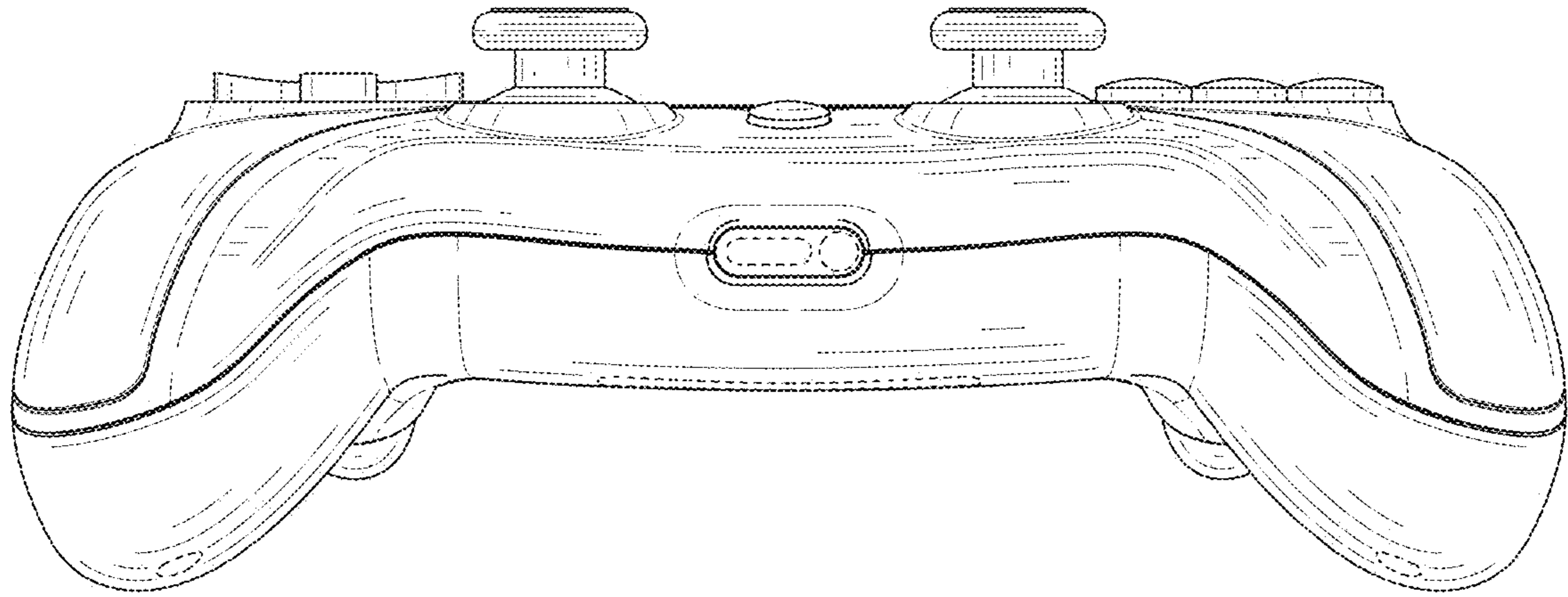


FIG. 8

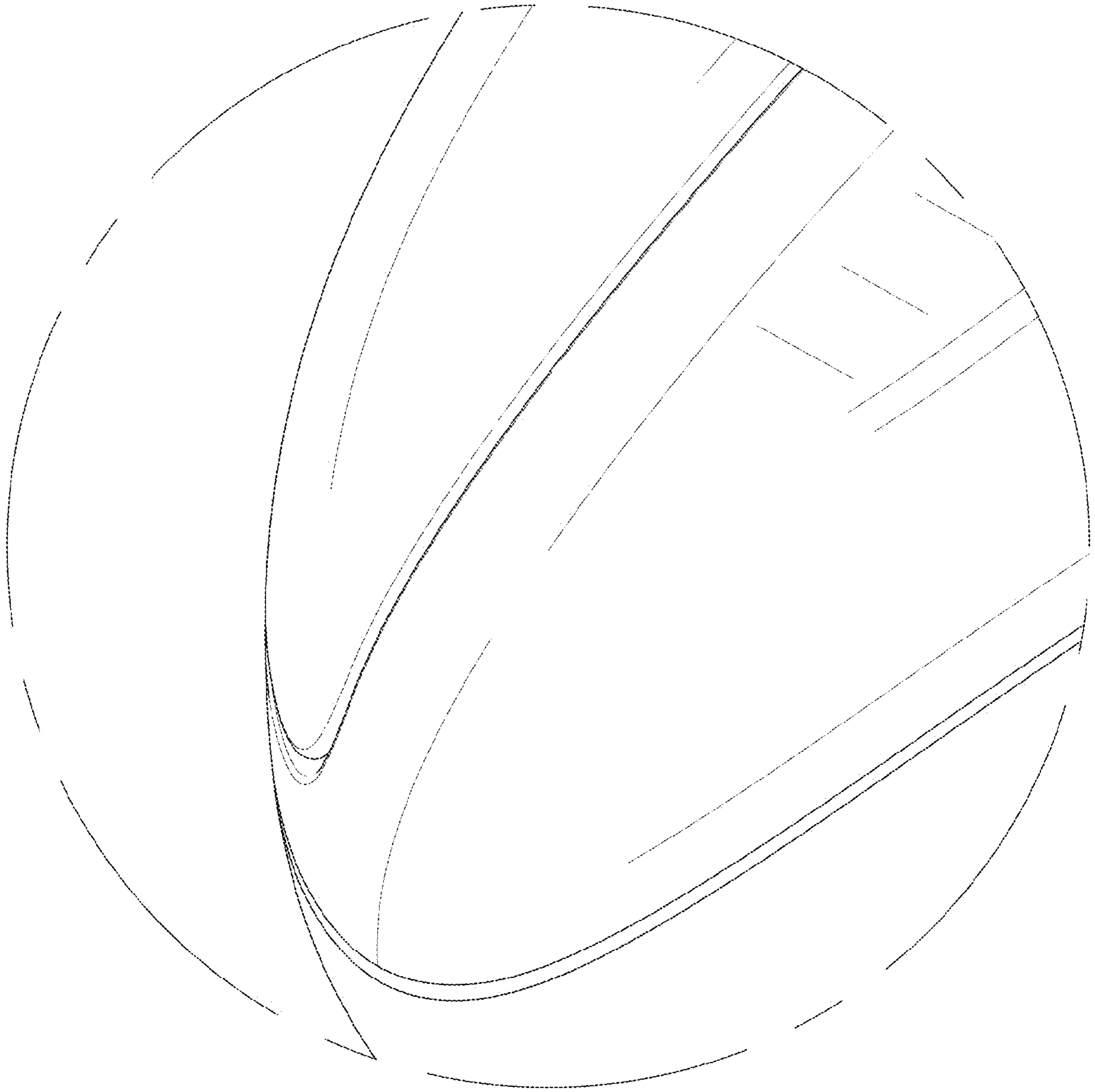


FIG. 9