



US00D956871S

(12) **United States Design Patent** (10) **Patent No.:** **US D956,871 S**
Vadenne (45) **Date of Patent:** **** Jul. 5, 2022**

(54) **PEN**
(71) Applicant: **SOCIETE BIC**, Clichy (FR)
(72) Inventor: **Franck Vadenne**, Bezons (FR)
(73) Assignee: **Societe BIC**, Clichy (FR)
(**) Term: **15 Years**
(21) Appl. No.: **29/754,170**
(22) Filed: **Oct. 7, 2020**

D209,993 S * 1/1968 Horie D19/163
D214,828 S * 8/1969 Kroener D8/107
D221,033 S * 6/1971 Wakai D19/166
D328,311 S * 7/1992 Nitta D19/166
D366,669 S * 1/1996 McCartney D19/155
D394,673 S * 5/1998 Moorthy D19/166
D530,748 S * 10/2006 Kent D19/195
D546,387 S * 7/2007 Qiu D19/166
D580,977 S * 11/2008 Li D19/173
D586,853 S * 2/2009 Tan D19/166
D587,310 S * 2/2009 Paslawski D19/185
D646,323 S * 10/2011 Renner D19/186

(Continued)

Related U.S. Application Data

(62) Division of application No. 29/692,188, filed on May 23, 2019, now Pat. No. Des. 908,795.

Foreign Application Priority Data

May 15, 2019 (EM) 006464269

(51) **LOC (13) Cl.** **19-06**

(52) **U.S. Cl.**
USPC **D19/186; D19/921; D19/934**

(58) **Field of Classification Search**

USPC D19/115-204; D14/411; D28/7, 76
CPC . B43K 5/005; B43K 7/12; B43K 8/00; B43K
8/02; B43K 8/04; B43K 8/06; B43K
19/00; B43K 19/0068; B43K 21/003;
B43K 21/006; B43K 21/06

See application file for complete search history.

(56) **References Cited**

U.S. PATENT DOCUMENTS

263,392 A * 8/1882 Cross B43K 21/08
401/64
368,517 A * 8/1887 Cornwall A45D 40/0081
401/88
D105,623 S * 8/1937 Trolen D19/174
D161,826 S * 2/1951 Ferber D19/185
D166,161 S * 3/1952 Hanle D19/163

FOREIGN PATENT DOCUMENTS

EM 006464269-0001 * 6/2021
EM 006464269-0003 * 6/2021

Primary Examiner — Elizabeth A. Albert

(74) *Attorney, Agent, or Firm* — The H.T. Than Law Group

(57) **CLAIM**

I claim the ornamental design for a pen, as shown and described.

DESCRIPTION

The patent file contains at least one drawing executed in color. Copies of this patent with color drawing(s) will be provided by the Office upon request and payment of the necessary fee.

FIG. 1 is a perspective view of a pen showing my new design;

FIG. 2 is a front view thereof;

FIG. 3 is a back view thereof;

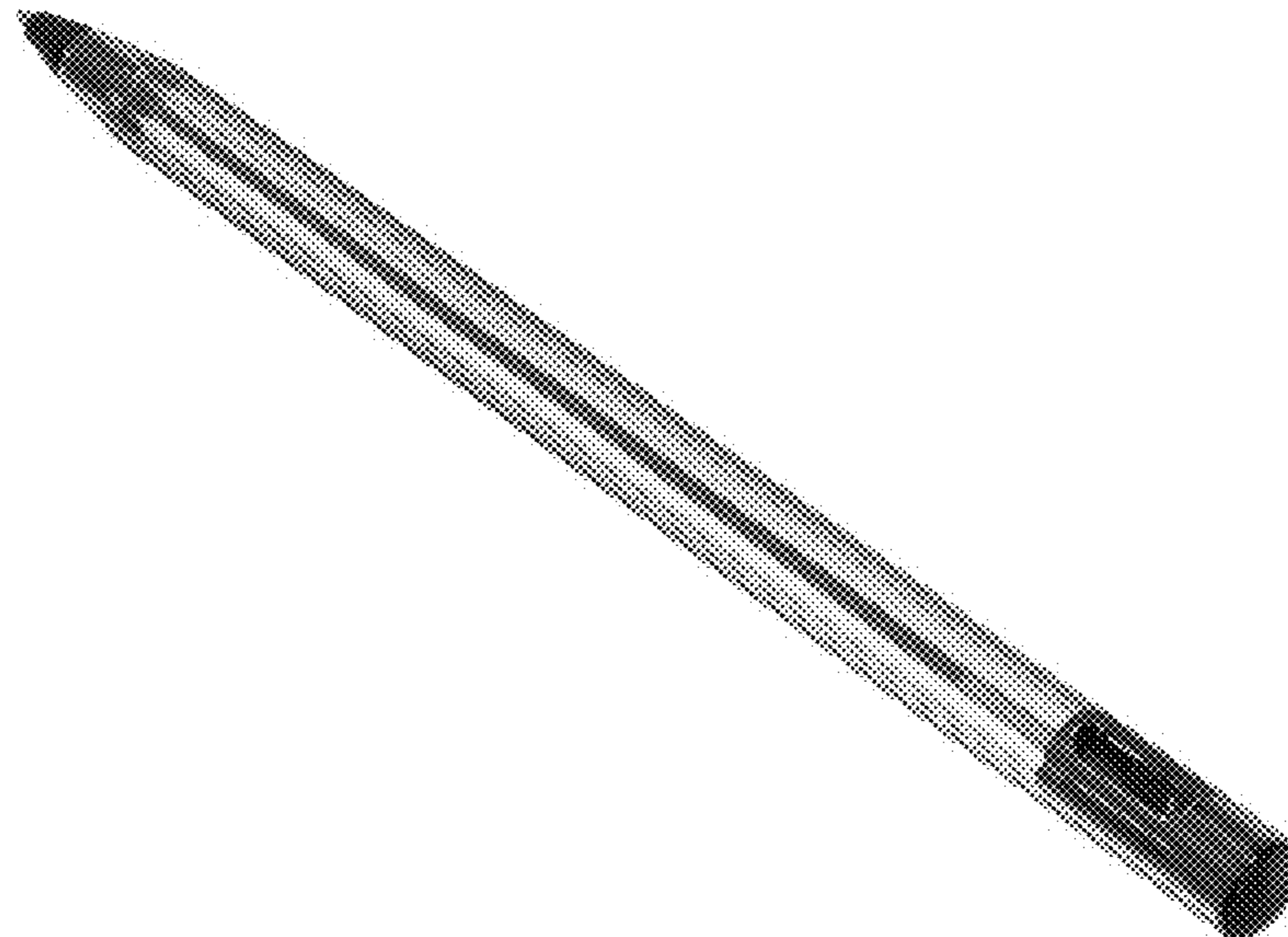
FIG. 4 is a left view thereof;

FIG. 5 is a right view thereof;

FIG. 6 is a top view thereof; and,

FIG. 7 is a bottom view thereof.

1 Claim, 4 Drawing Sheets
(4 of 4 Drawing Sheet(s) Filed in Color)



(56)

References Cited

U.S. PATENT DOCUMENTS

D655,337	S	*	3/2012	Zhang	D19/167
D660,910	S	*	5/2012	Carpenter	D19/133
D662,980	S	*	7/2012	Jiang	D19/166
D662,981	S	*	7/2012	Xie	D19/166
D667,875	S	*	9/2012	Liang	D19/166
D672,808	S	*	12/2012	Liang	D19/166
D681,113	S	*	4/2013	Huang	D19/185
D688,665	S	*	8/2013	Huang	D14/411
D689,931	S	*	9/2013	Jiang	D19/166
D693,876	S	*	11/2013	Jiang	D19/166
D704,773	S	*	5/2014	Ke	D19/186
D810,199	S	*	2/2018	Greenboim	D19/185
D864,298	S	*	10/2019	Li	D19/177
D879,778	S	*	3/2020	Nakajima	D14/411
D894,900	S	*	9/2020	Nishida	D14/411
D894,902	S	*	9/2020	Nishida	D14/411
D895,727	S	*	9/2020	Lau	D19/170
D901,585	S	*	11/2020	Vadenne	D19/186
D908,795	S	*	1/2021	Vadenne	D19/166
D916,704	S	*	4/2021	Ding	D14/411
D934,342	S	*	10/2021	Lee	D19/204

* cited by examiner

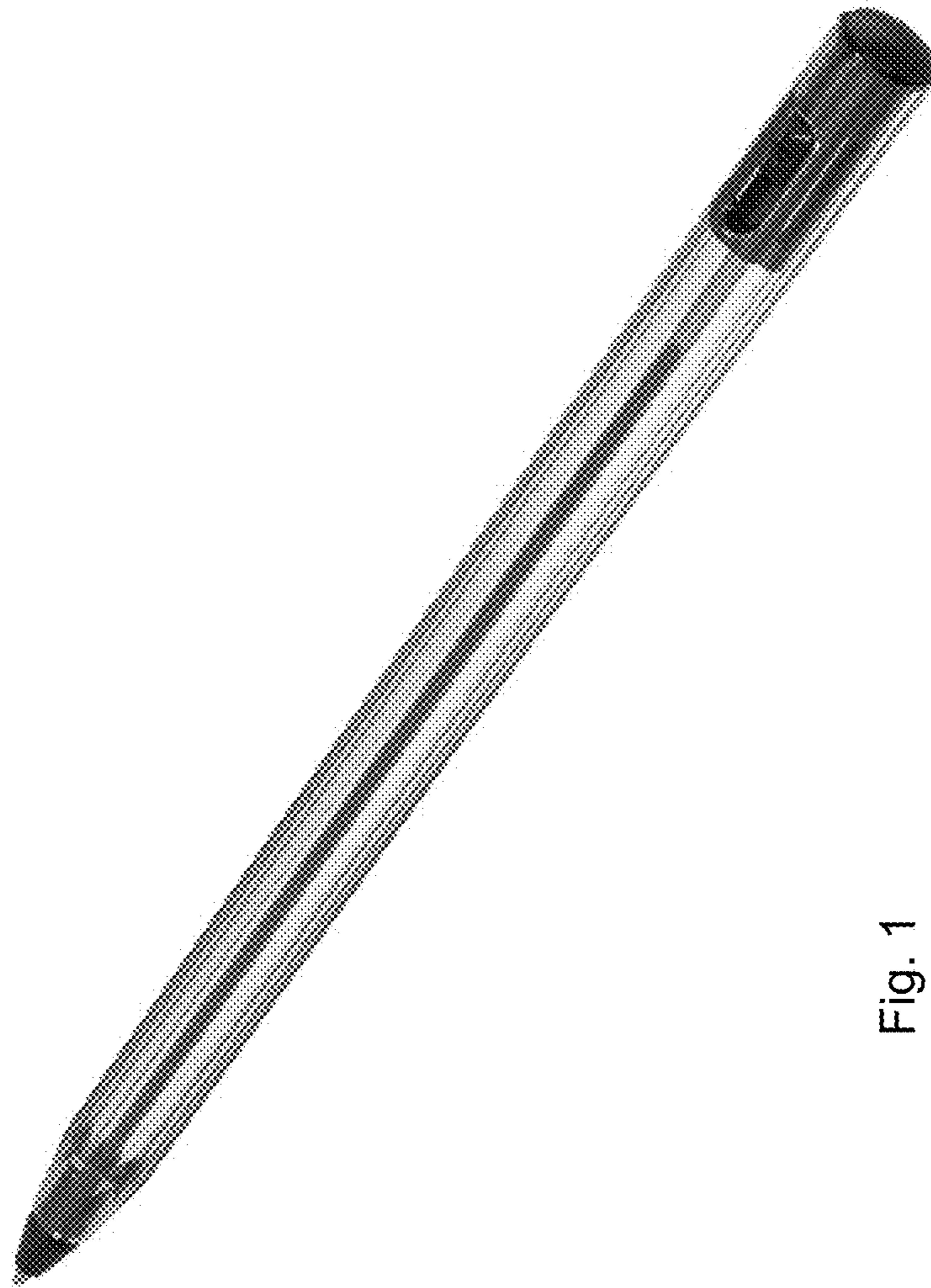


Fig. 1

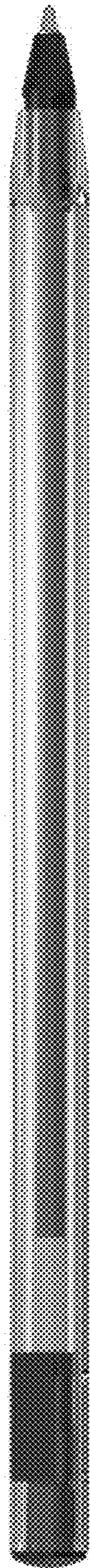


Fig. 2

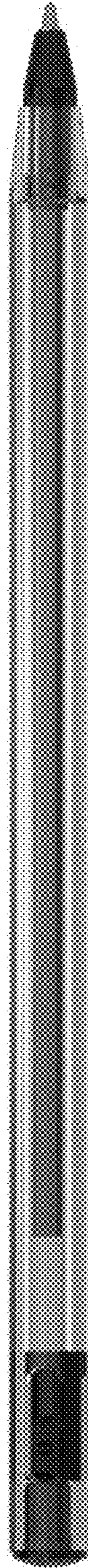


Fig. 3

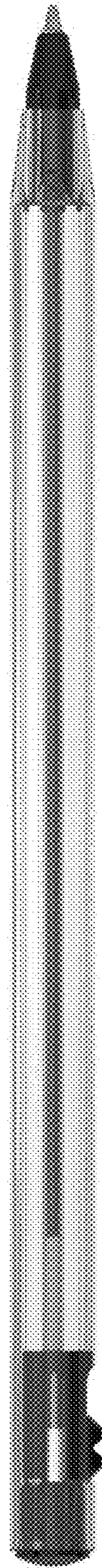


Fig. 4

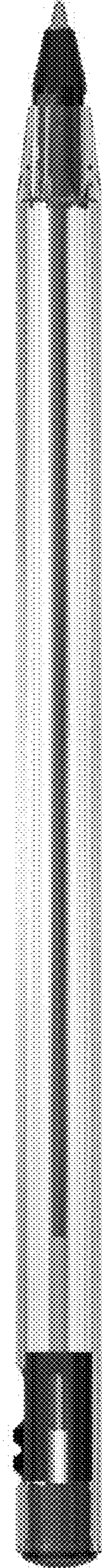


Fig. 5

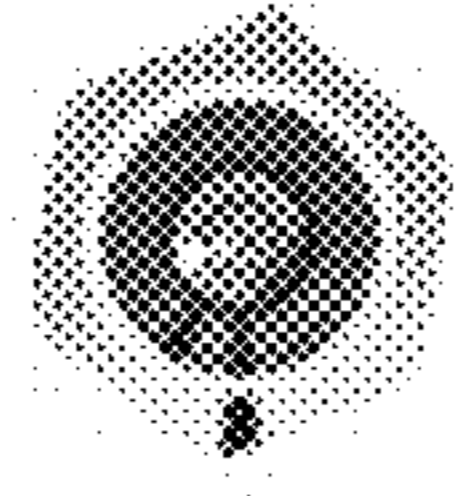


Fig. 7

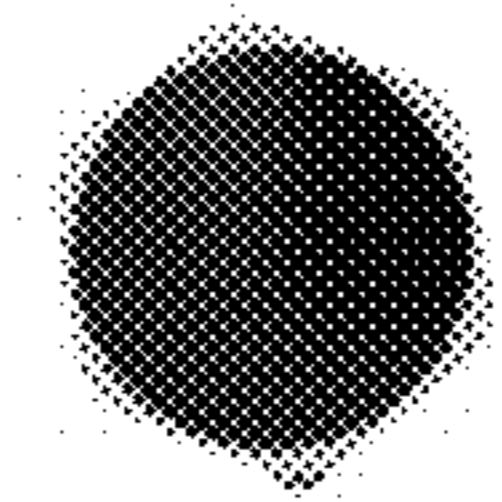


Fig. 6