



US00D956870S

(12) **United States Design Patent**
Nakazawa

(10) **Patent No.:** **US D956,870 S**
(45) **Date of Patent:** **** Jul. 5, 2022**

- (54) **BALLPOINT PEN**
- (71) Applicant: **Pentel Kabushiki Kaisha**, Tokyo (JP)
- (72) Inventor: **Hidekazu Nakazawa**, Tokyo (JP)
- (73) Assignee: **Pentel Kabushiki Kaisha**, Tokyo (JP)
- (**) Term: **15 Years**
- (21) Appl. No.: **29/754,381**
- (22) Filed: **Oct. 9, 2020**

D630,247 S *	1/2011	Shimizu	D19/918
D647,137 S *	10/2011	Uchiyama	D19/907
D651,241 S *	12/2011	Liang	D19/172
D651,244 S *	12/2011	Yuan	D19/172
D651,245 S *	12/2011	Yuan	D19/172
D662,984 S *	7/2012	Yan	D19/172
D665,025 S *	8/2012	Li	D19/172
D667,882 S *	9/2012	Uchiyama	D19/918
D672,813 S *	12/2012	Zhang	D19/918
D679,326 S *	4/2013	Li	D19/918
D692,483 S *	10/2013	Laemle	D19/918
D692,484 S *	10/2013	Laemle	D19/906
D708,263 S *	7/2014	Laemle	D19/904
D763,354 S *	8/2016	Zhang	D19/918
D902,311 S *	11/2020	Nakazawa	D19/171

(30) **Foreign Application Priority Data**

Apr. 10, 2020 (JP) 2020-007622

- (51) **LOC (13) Cl.** **19-06**
- (52) **U.S. Cl.**
USPC **D19/173**; D19/914
- (58) **Field of Classification Search**
USPC D19/115–204; D14/411
CPC . B43K 5/005; B43K 7/12; B43K 8/00; B43K
8/02; B43K 8/04; B43K 8/06; B43K
19/00; B43K 19/0068; B43K 21/003;
B43K 21/006; B43K 21/06
See application file for complete search history.

(56) **References Cited**

U.S. PATENT DOCUMENTS

D465,238 S *	11/2002	Qiu	D19/918
D472,577 S *	4/2003	Sakuno	D19/174
D476,364 S *	6/2003	Bain	D19/172
D494,219 S *	8/2004	Arita	D19/174
D496,688 S *	9/2004	Nishida	D19/172
D497,643 S *	10/2004	Nishida	D19/906
D534,958 S *	1/2007	Nishida	D19/906
D559,318 S *	1/2008	Qiu	D19/904
D559,909 S *	1/2008	Qiu	D19/918
D591,352 S *	4/2009	Gerules	D19/174
D628,639 S *	12/2010	Wang	D19/916

FOREIGN PATENT DOCUMENTS

JP D1675219 * 12/2020

* cited by examiner

Primary Examiner — Elizabeth A. Albert

(74) *Attorney, Agent, or Firm* — Banner & Witcoff, Ltd.

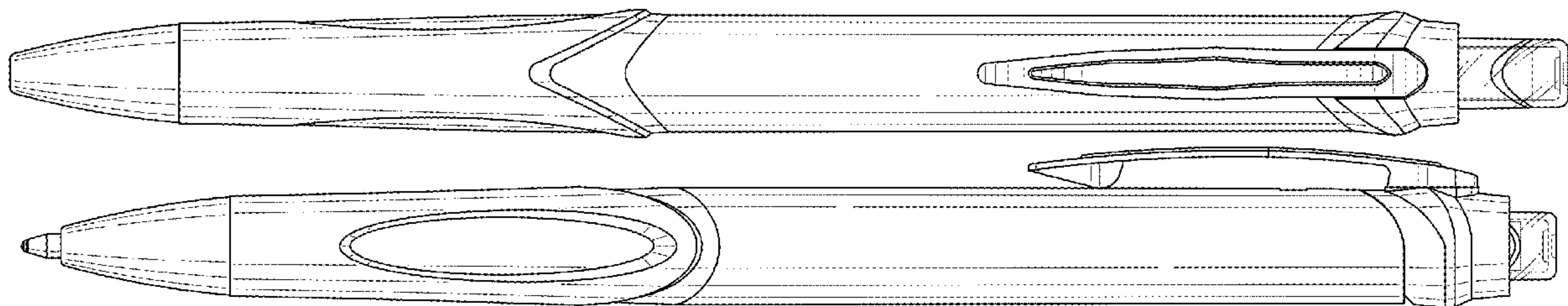
(57) **CLAIM**

The ornamental design for a ballpoint pen, as shown and described.

DESCRIPTION

FIG. 1 is a perspective view of a ballpoint pen showing my new design;
 FIG. 2 is a front view thereof;
 FIG. 3 is a rear view thereof;
 FIG. 4 is a left side view thereof;
 FIG. 5 is a right side view thereof;
 FIG. 6 is a bottom view thereof, with the top view being a mirror image thereof;
 FIG. 7 is an enlarged left side view thereof;
 FIG. 8 is an enlarged right side view thereof; and,
 FIG. 9 is another bottom view thereof with the point ejected.

1 Claim, 4 Drawing Sheets



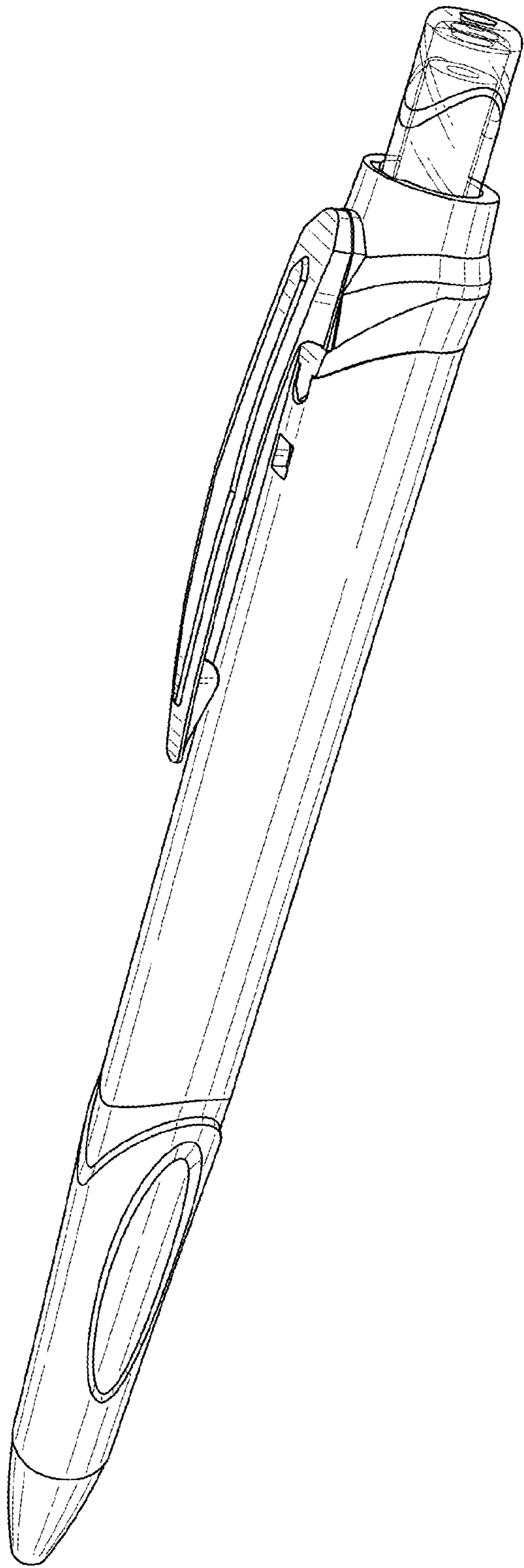


FIG. 1

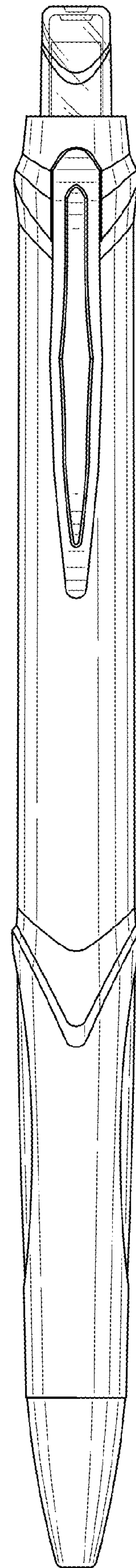


FIG. 2

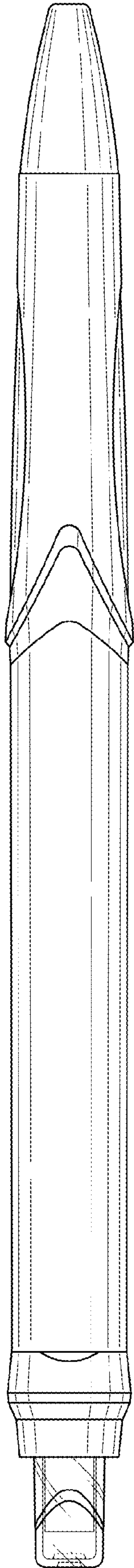


FIG. 3

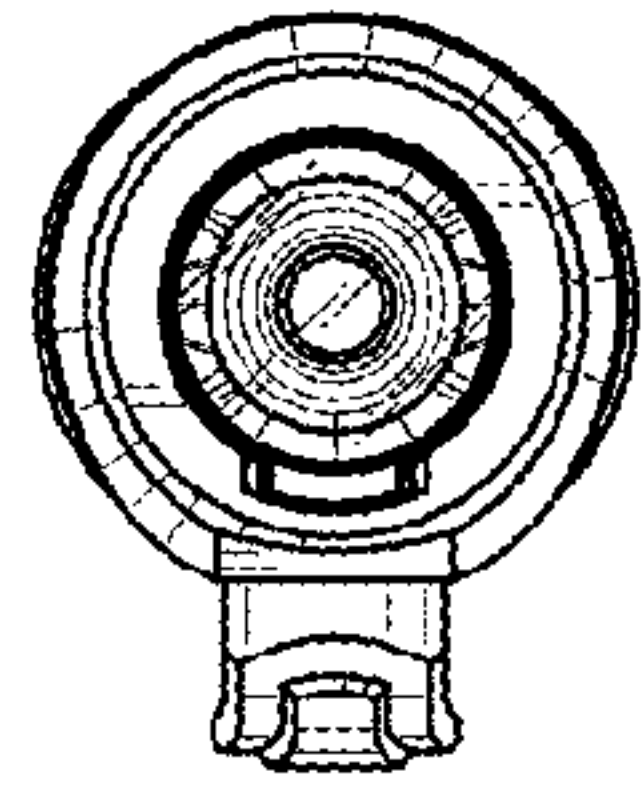


FIG. 5

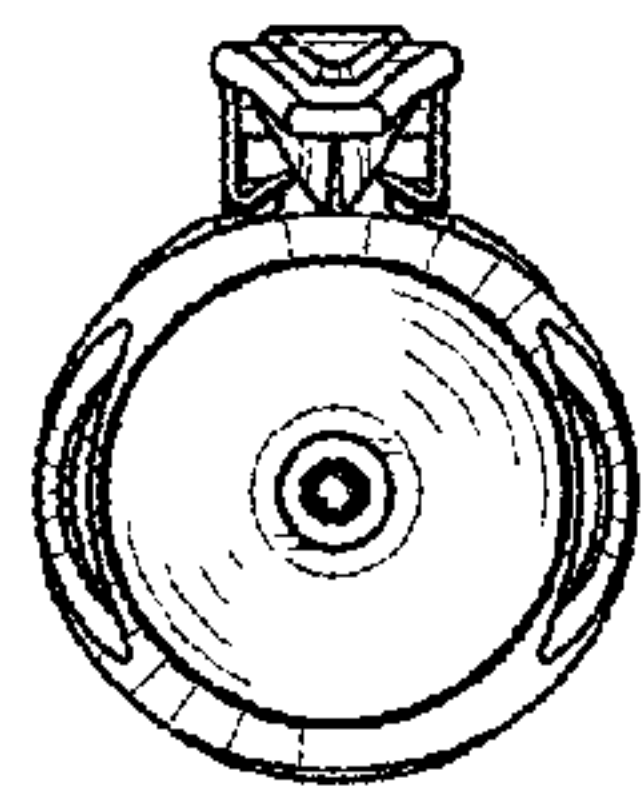


FIG. 4

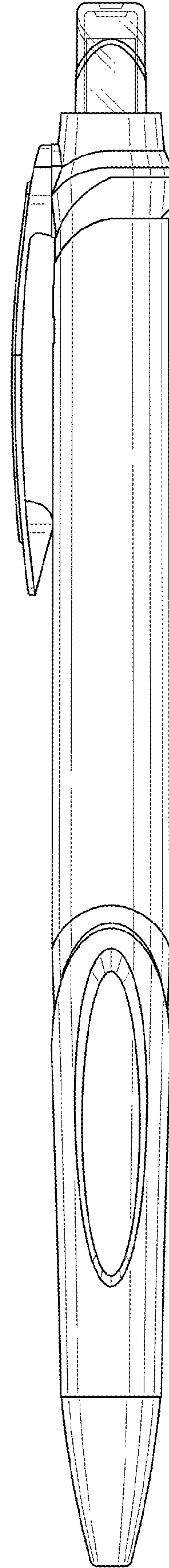


FIG. 6

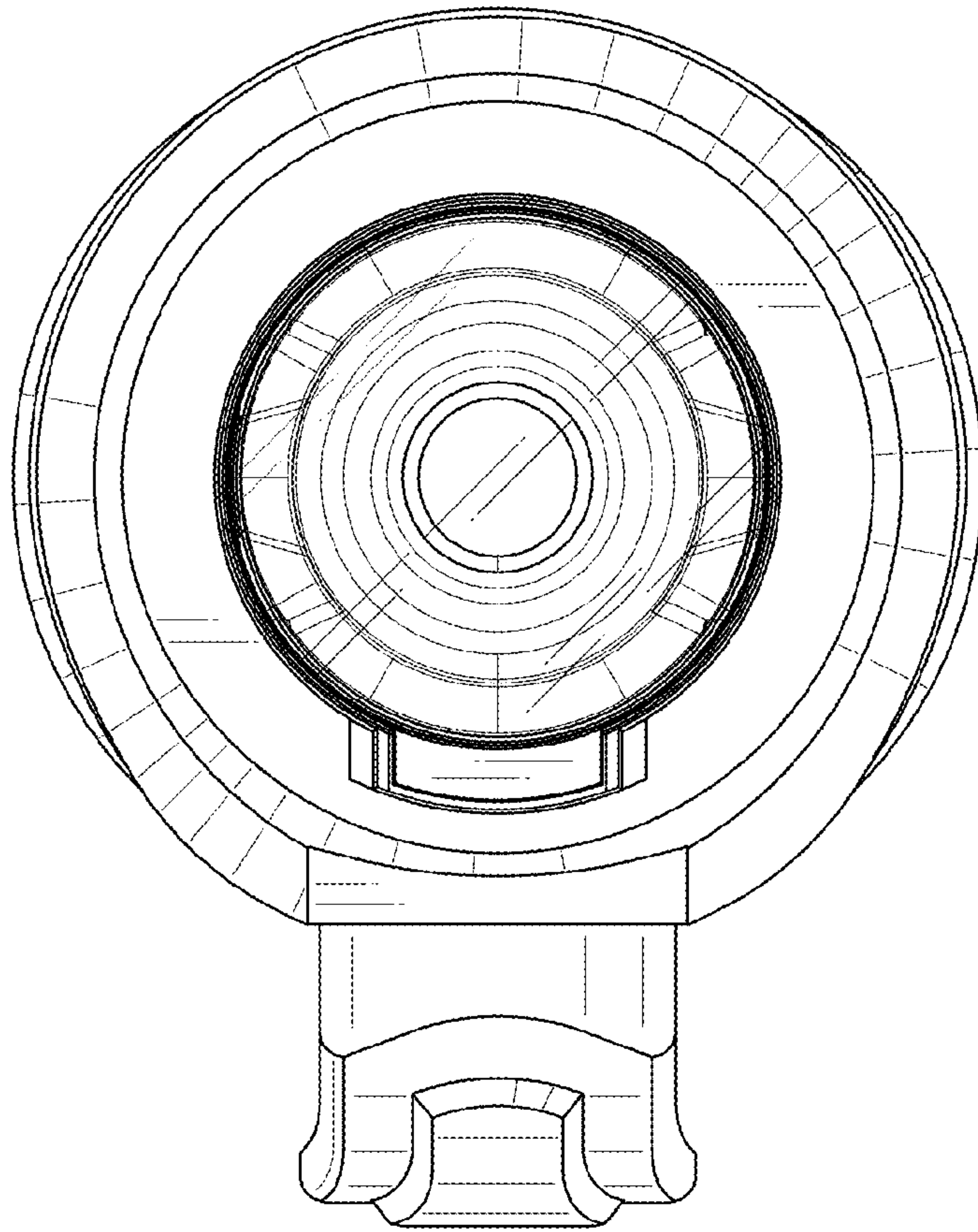


FIG. 8

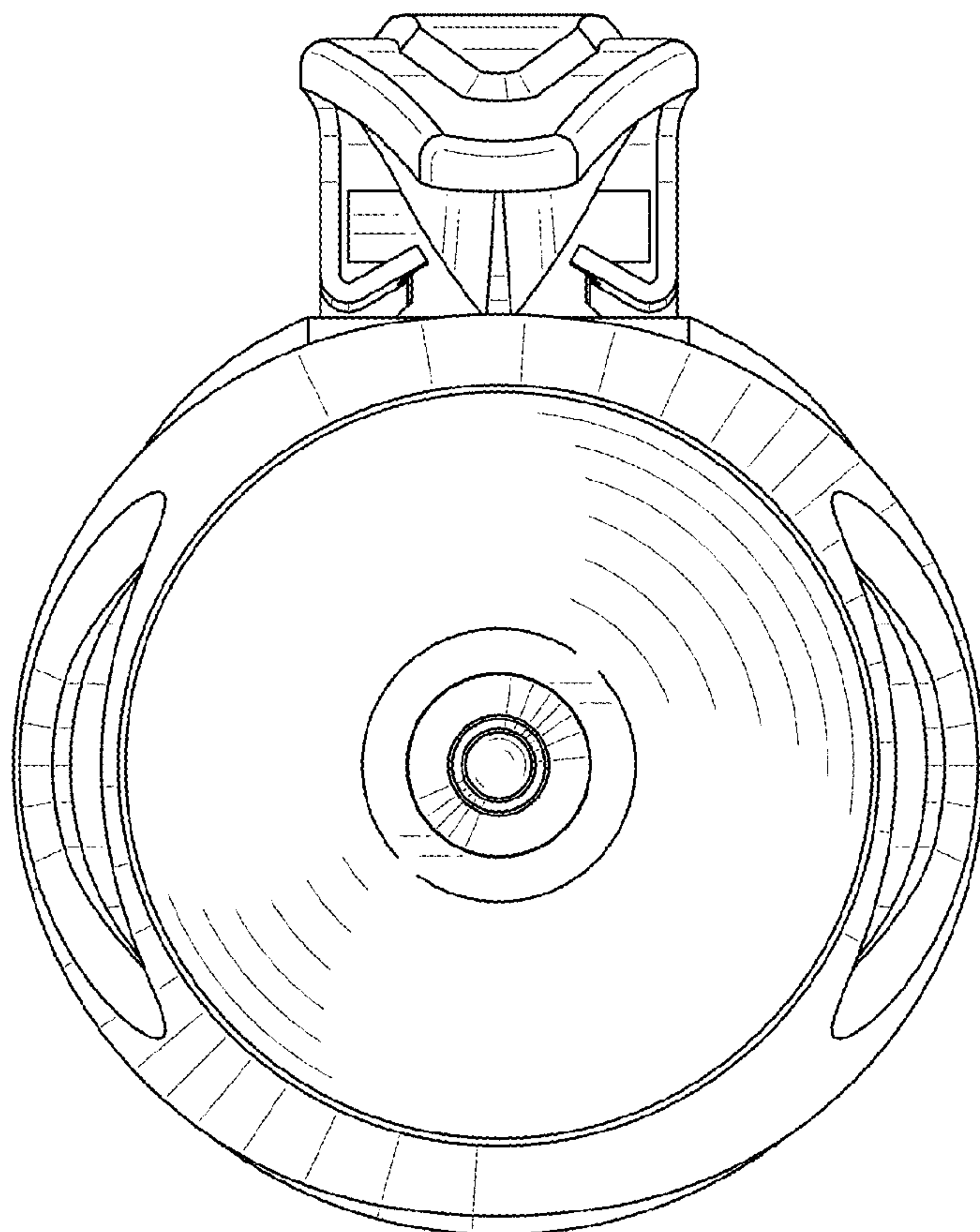


FIG. 7

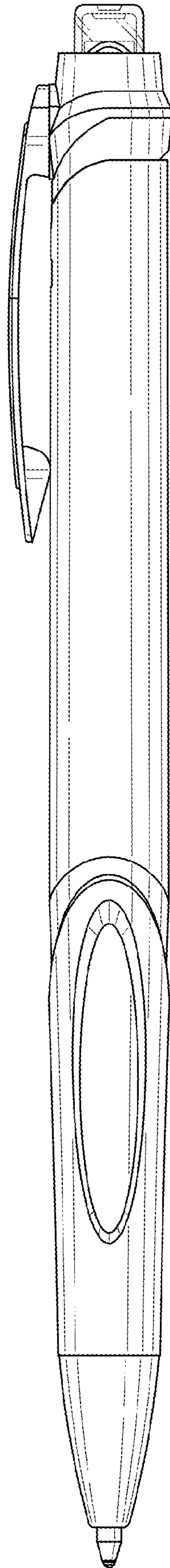


FIG. 9