



US00D956869S

(12) **United States Design Patent**  
**Nakazawa**

(10) **Patent No.:** **US D956,869 S**  
(45) **Date of Patent:** **\*\* Jul. 5, 2022**

- (54) **BALLPOINT PEN**
- (71) Applicant: **Pentel Kabushiki Kaisha**, Tokyo (JP)
- (72) Inventor: **Hidekazu Nakazawa**, Tokyo (JP)
- (73) Assignee: **Pentel Kabushiki Kaisha**, Tokyo (JP)
- (\*\*) Term: **15 Years**
- (21) Appl. No.: **29/753,716**
- (22) Filed: **Oct. 1, 2020**

**Related U.S. Application Data**

- (62) Division of application No. 29/692,716, filed on May 28, 2019, now Pat. No. Des. 902,311.

**Foreign Application Priority Data**

- Nov. 28, 2018 (JP) ..... 2018-025789
- Nov. 28, 2018 (JP) ..... 2018-025790
- Nov. 28, 2018 (JP) ..... 2018-025791
- Nov. 28, 2018 (JP) ..... 2018-025792

- (51) **LOC (13) Cl.** ..... **11-06**
- (52) **U.S. Cl.**

USPC ..... **D19/173**; D19/914; D19/923; D19/932

- (58) **Field of Classification Search**

USPC ..... D19/115-204; D14/411  
 CPC . B43K 5/005; B43K 7/12; B43K 8/00; B43K 8/02; B43K 8/04; B43K 8/06; B43K 19/00; B43K 19/0068; B43K 21/003; B43K 21/006; B43K 21/06  
 See application file for complete search history.

- (56) **References Cited**

**U.S. PATENT DOCUMENTS**

- D443,642 S 6/2001 Tsuchikura
- D457,917 S 5/2002 Traut et al.

- D460,112 S 7/2002 Keda
- D472,928 S \* 4/2003 Ikeda ..... D19/174
- D476,364 S 6/2003 Bain
- D494,219 S 8/2004 Arita
- D496,688 S 9/2004 Nishida
- D497,643 S 10/2004 Nishida
- D506,502 S 6/2005 Qiu
- D534,958 S 1/2007 Nishida
- D559,315 S 1/2008 Qiu et al.
- D559,318 S 1/2008 Qiu et al.
- D559,909 S 1/2008 Qiu et al.
- D585,491 S 1/2009 Booker
- D591,352 S \* 4/2009 Gerules ..... D19/174
- D596,233 S \* 7/2009 Kusaba ..... D19/174
- D620,524 S \* 7/2010 Shibata ..... D19/904
- D626,598 S 11/2010 Casciotti et al.
- D630,247 S \* 1/2011 Shimizu ..... D19/918
- D647,137 S \* 10/2011 Uchiyama ..... D19/907
- D648,789 S \* 11/2011 Shibata ..... D19/906
- D651,241 S 12/2011 Liang
- D651,245 S 12/2011 Yuan
- D652,080 S \* 1/2012 Shibata ..... D19/906

(Continued)

*Primary Examiner* — Elizabeth A. Albert

(74) *Attorney, Agent, or Firm* — Banner & Witcoff, Ltd.

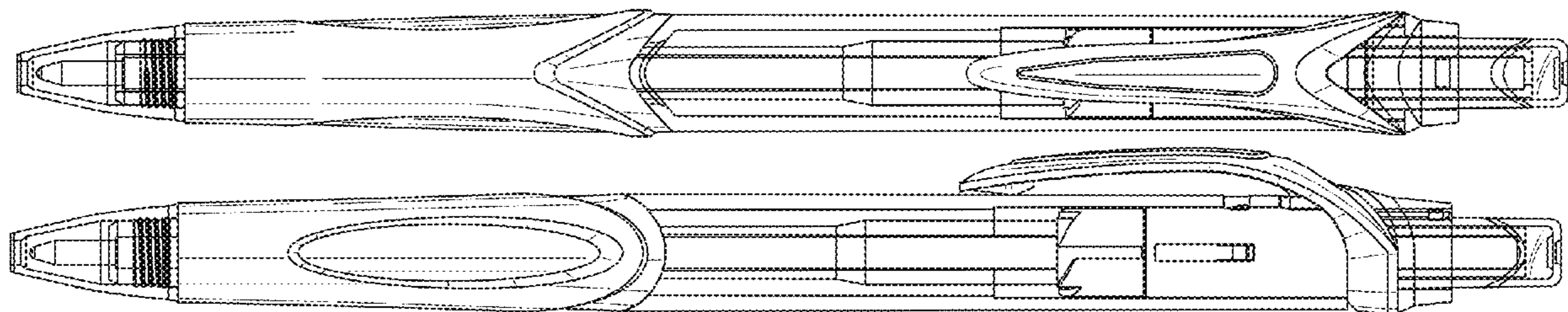
- (57) **CLAIM**

The ornamental design for a ballpoint pen, as shown and described.

**DESCRIPTION**

FIG. 1 is a perspective view of a ballpoint pen showing my new design;  
 FIG. 2 is a front view thereof;  
 FIG. 3 is a rear view thereof;  
 FIG. 4 is a left side view thereof;  
 FIG. 5 is a right side view thereof;  
 FIG. 6 is a bottom view thereof, with the top view being a mirror image thereof;  
 FIG. 7 is an enlarged left side view thereof; and,  
 FIG. 8 is an enlarged right side view thereof.

**1 Claim, 6 Drawing Sheets**



(56)

**References Cited**

U.S. PATENT DOCUMENTS

D662,984 S	7/2012	Yan	
D665,025 S	8/2012	Li et al.	
D667,882 S *	9/2012	Uchiyama .....	D19/918
D672,813 S	12/2012	Zhang	
D690,358 S	9/2013	Jin	
D692,483 S	10/2013	Laemle	
D692,484 S	10/2013	Laemle	
D698,390 S *	1/2014	Shimizu .....	D19/179
D708,263 S	7/2014	Laemle	
D708,670 S	7/2014	Zhang	
D763,354 S *	8/2016	Zhang .....	D19/918
D832,922 S	11/2018	Bindra	
D839,348 S *	1/2019	Nakazawa .....	D19/906
D849,838 S	5/2019	Bindra	
D923,708 S *	6/2021	Zhang .....	D19/918

\* cited by examiner

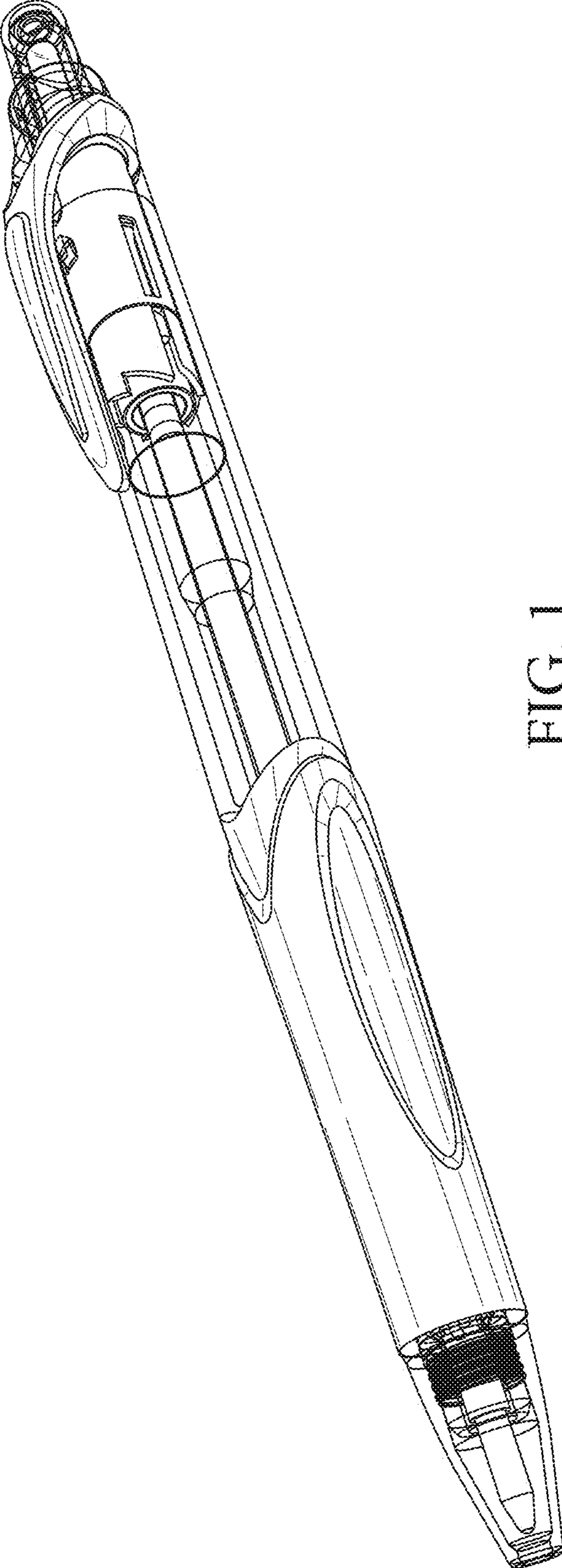


FIG. 1

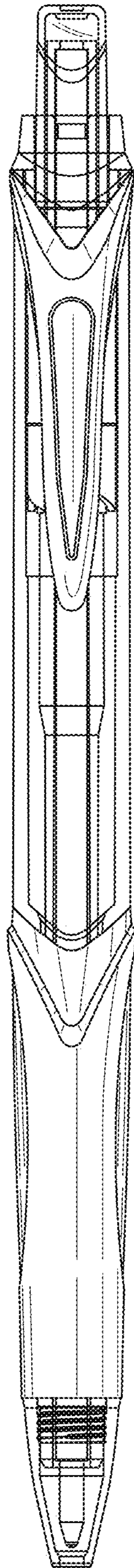


FIG. 2

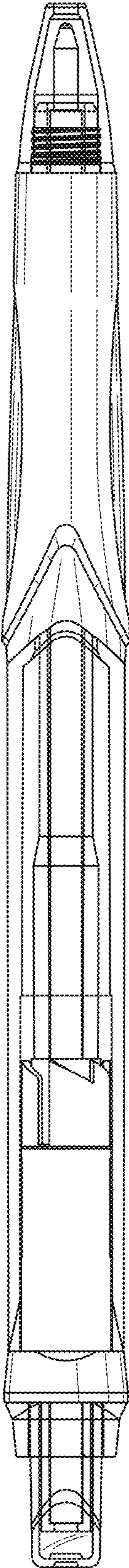


FIG. 3

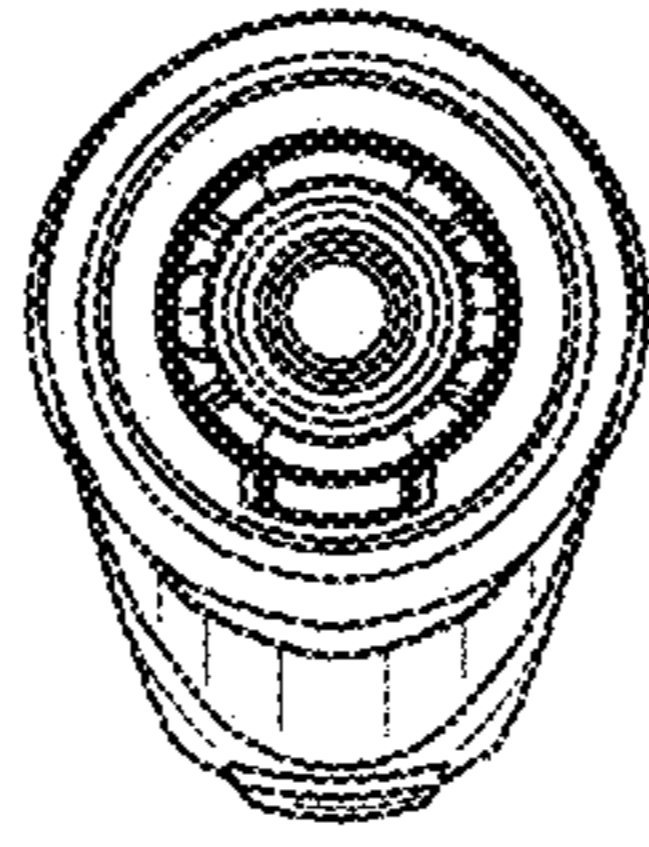


FIG. 5

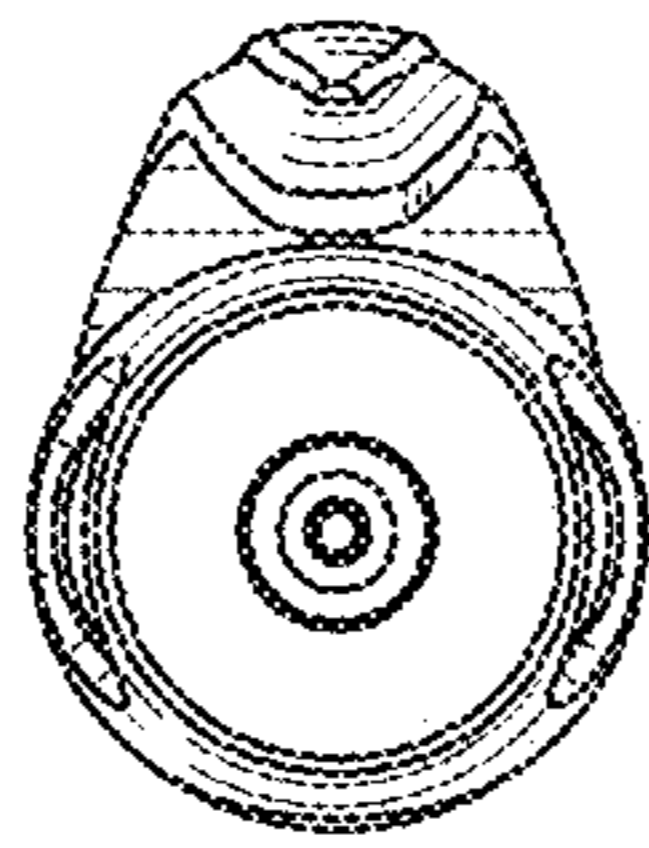


FIG. 4

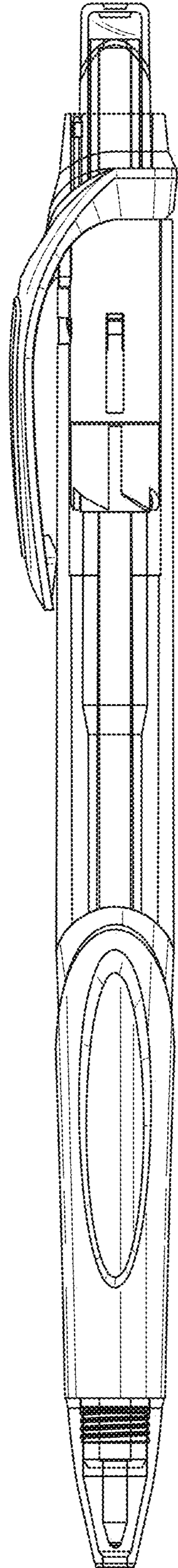


FIG. 6

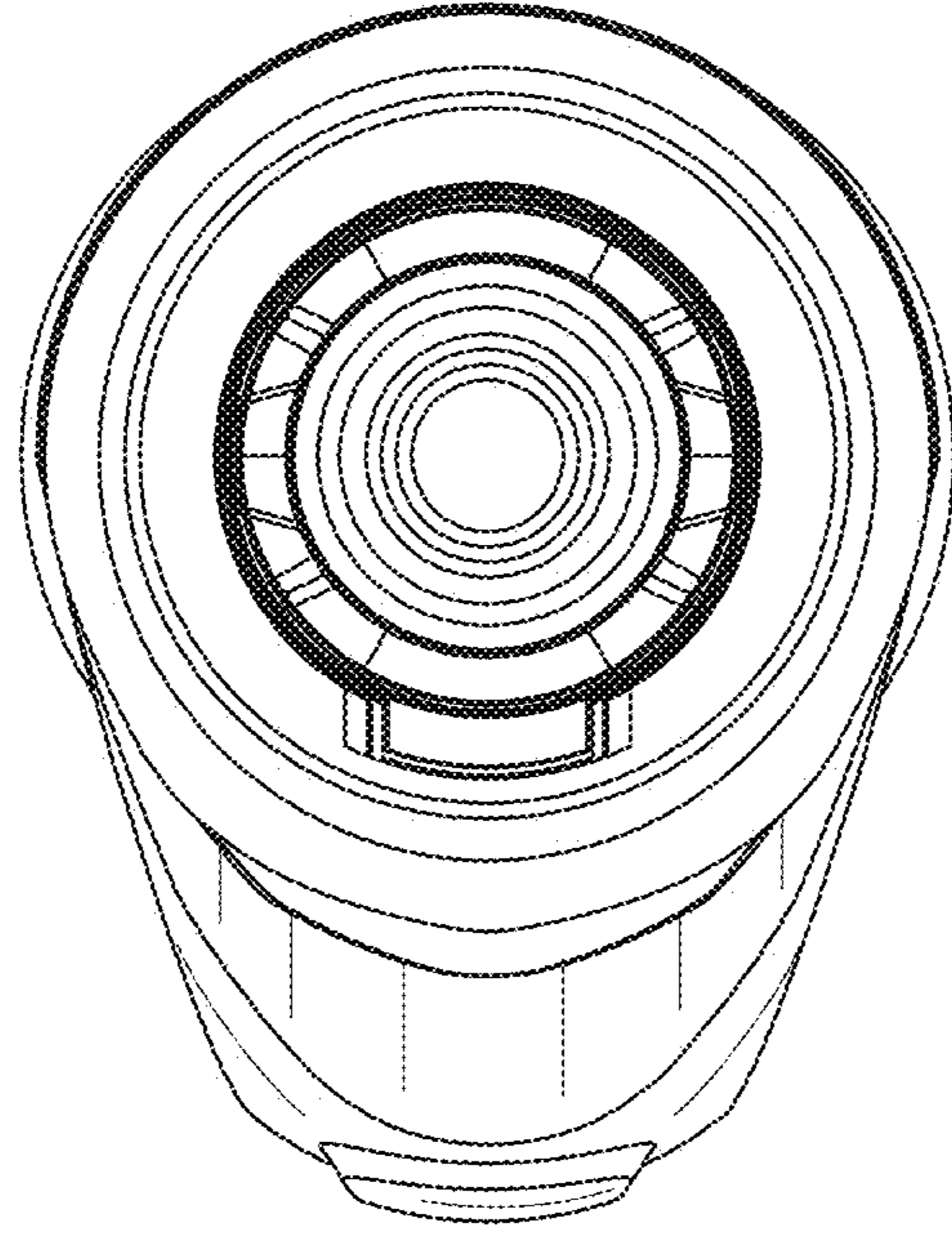


FIG. 8

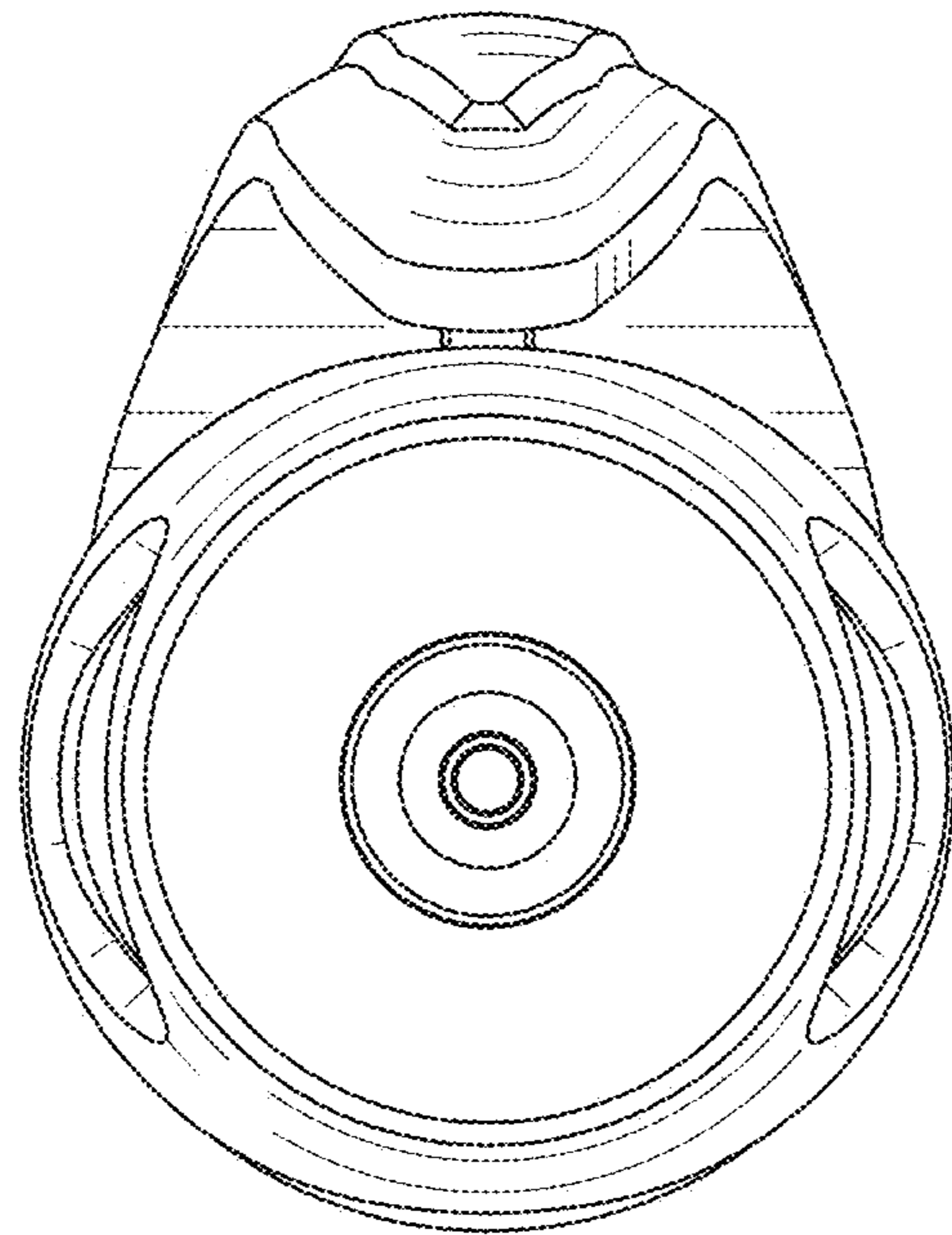


FIG. 7