



US00D956867S

(12) **United States Design Patent**
Chien

(10) **Patent No.:** **US D956,867 S**

(45) **Date of Patent:** **** Jul. 5, 2022**

(54) **FILE ORGANIZER**

(71) Applicant: **EP Family Corp.**, Walnut, CA (US)

(72) Inventor: **Peiling Chang Chien**, Walnut, CA (US)

(**) Term: **15 Years**

(21) Appl. No.: **29/677,595**

(22) Filed: **Jan. 22, 2019**

(51) **LOC (13) Cl.** **19-02**

(52) **U.S. Cl.**
USPC **D19/92**

(58) **Field of Classification Search**

USPC D19/75-92, 99, 135; D3/206, 304, 306,
D3/310, 315; D6/675.5, 683, 683.1;
D7/631, 637-641; D9/427, 432, 611;
D14/253

CPC .. B43M 99/00; B43M 99/001; B43M 99/003;
B43M 99/006; B43M 99/007; B43M
99/008; B43M 99/009; B42D 3/12; B42D
3/16; B42D 3/18; B43K 23/001; B43K
23/002; A47B 55/00; A47B 63/00

See application file for complete search history.

(56) **References Cited**

U.S. PATENT DOCUMENTS

921,694	A *	5/1909	Hall	A47B 87/0261	211/126.11
D272,637	S *	2/1984	Barbieri	D19/92	
D433,712	S *	11/2000	Walsh	D19/75	
D579,691	S *	11/2008	Snider	D6/675.2	
7,481,327	B2 *	1/2009	Cheng	B65D 7/16	206/509
D683,963	S *	6/2013	Tsai	D3/304	
D698,604	S *	2/2014	Tsai	D6/705.6	
D698,605	S *	2/2014	Tsai	D6/705.6	
D719,610	S *	12/2014	Tsai	D19/90	
D756,168	S *	5/2016	Tsai	D6/705.6	
D756,458	S *	5/2016	Tsai	D19/90	
D757,176	S *	5/2016	Tsai	D19/92	

D758,488	S *	6/2016	Tsai	D19/92
D776,196	S *	1/2017	Tsai	D19/90
D780,262	S *	2/2017	Tsai	D19/90
9,782,996	B1 *	10/2017	Kuo	B42F 7/12
D830,781	S *	10/2018	Kuo	D7/601
D841,091	S *	2/2019	Tuang	D19/92
D841,734	S *	2/2019	Tuang	D19/90
D856,420	S *	8/2019	Tsai	D19/92

(Continued)

OTHER PUBLICATIONS

SimpleHouseware Desk Organizer, 8,443 ratings, Part No. DO-015-1, ASIN: B07D5MKDQP, online on Amazon.com, Date First Available: May 18, 2018.*

Primary Examiner — Elizabeth A. Albert

(74) *Attorney, Agent, or Firm* — Tommy S F Wang;
Wang IP Law Group, P.C.

(57) **CLAIM**

The ornamental design for a file organizer, as shown and described.

DESCRIPTION

FIG. 1 is a perspective view of a file organizer showing my new design;

FIG. 2 is a front view thereof;

FIG. 3 is a rear view thereof;

FIG. 4 is a left side view thereof;

FIG. 5 is a right side view thereof;

FIG. 6 is a top view thereof;

FIG. 7 is a bottom view thereof;

FIG. 8 is an enlarged view of an indicated portion of FIG. 1; and,

FIG. 9 is an enlarged view of an indicated portion of FIG. 2.

The broken lines in FIGS. 1-9 are included for the purpose of illustrating portions of the file organizer that form no part of the claimed design.

1 Claim, 9 Drawing Sheets

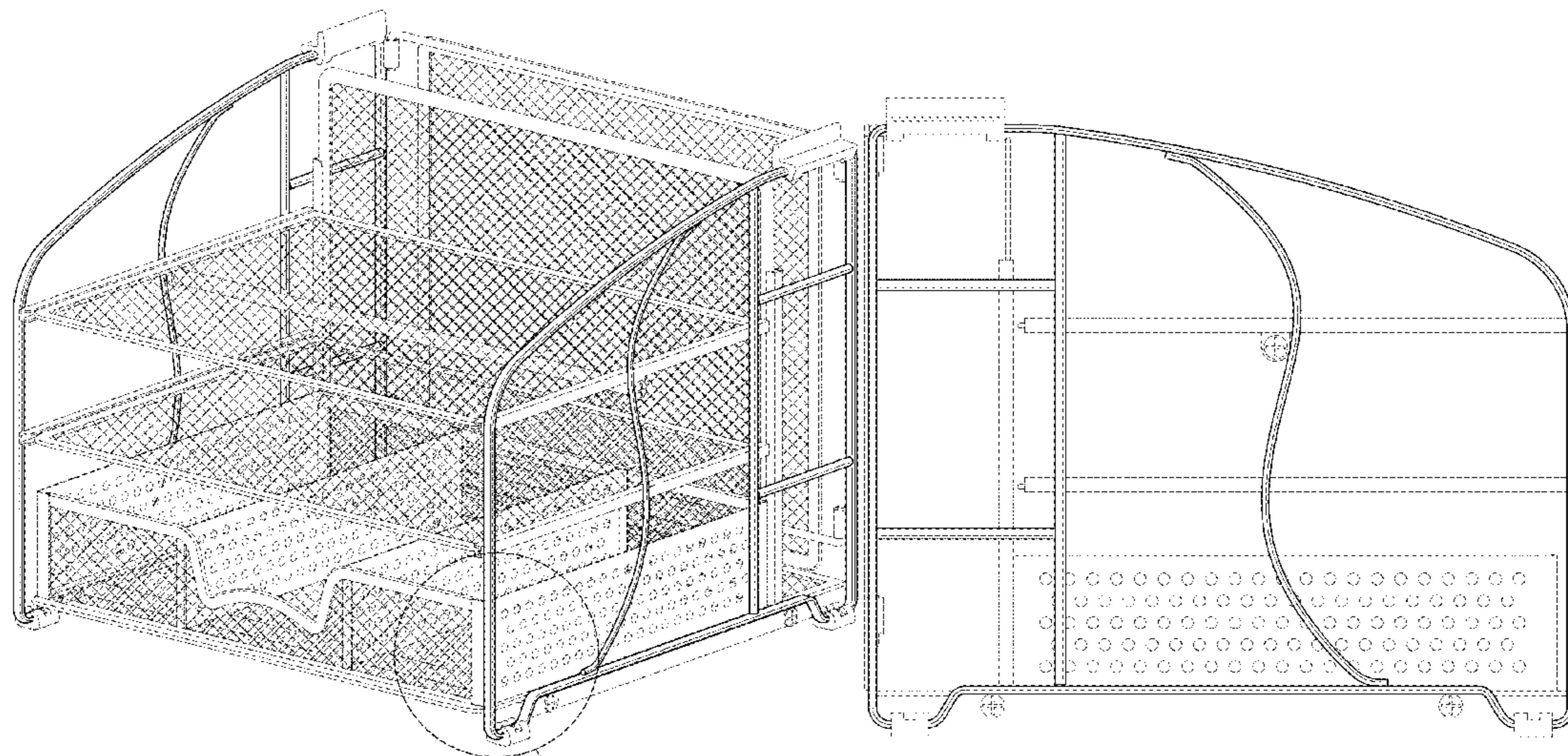


FIG. 8

(56)

References Cited

U.S. PATENT DOCUMENTS

D857,094 S * 8/2019 Tsai D19/90
D859,523 S * 9/2019 Goodman D19/90

* cited by examiner

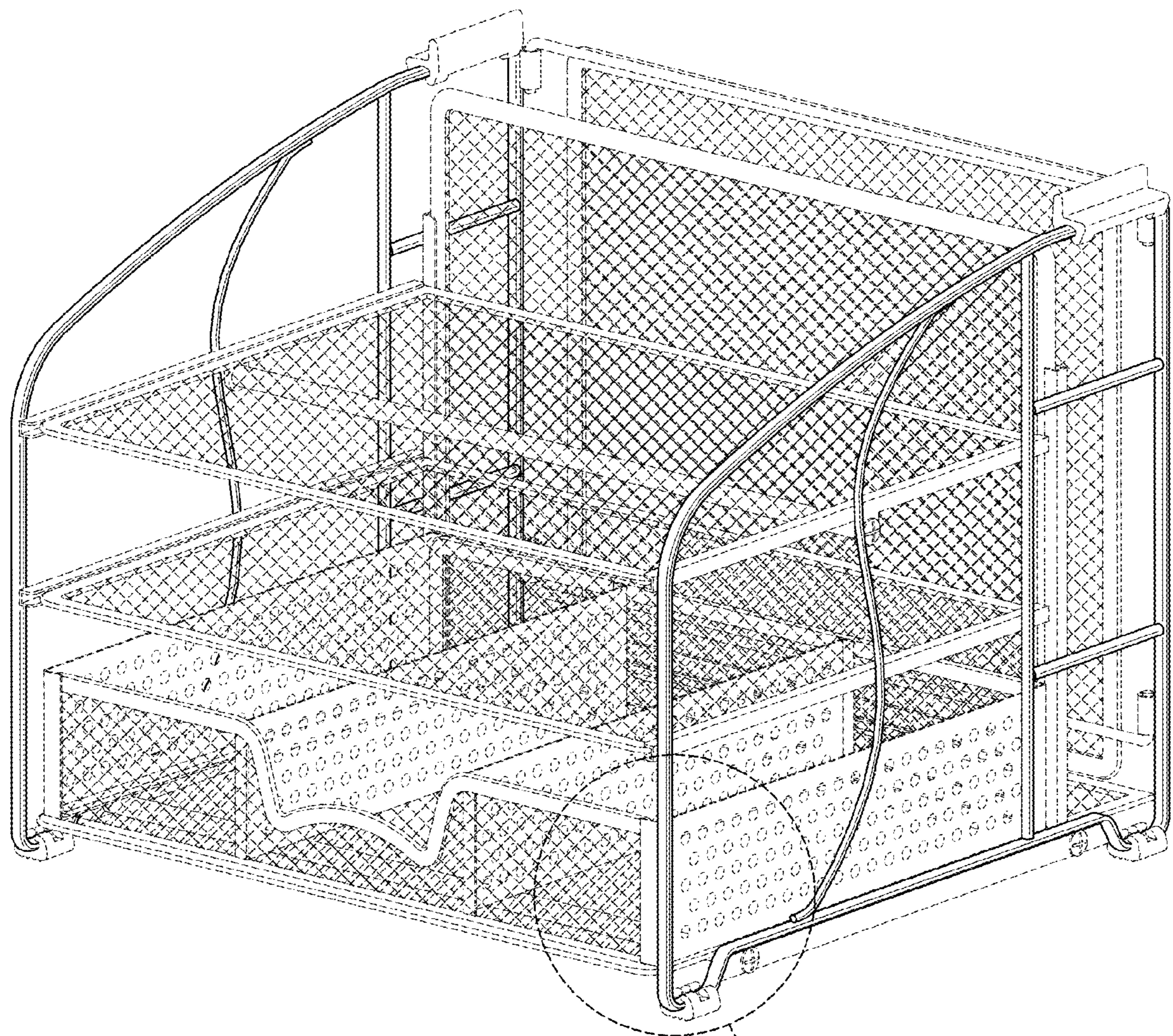


FIG. 8

FIG. 1

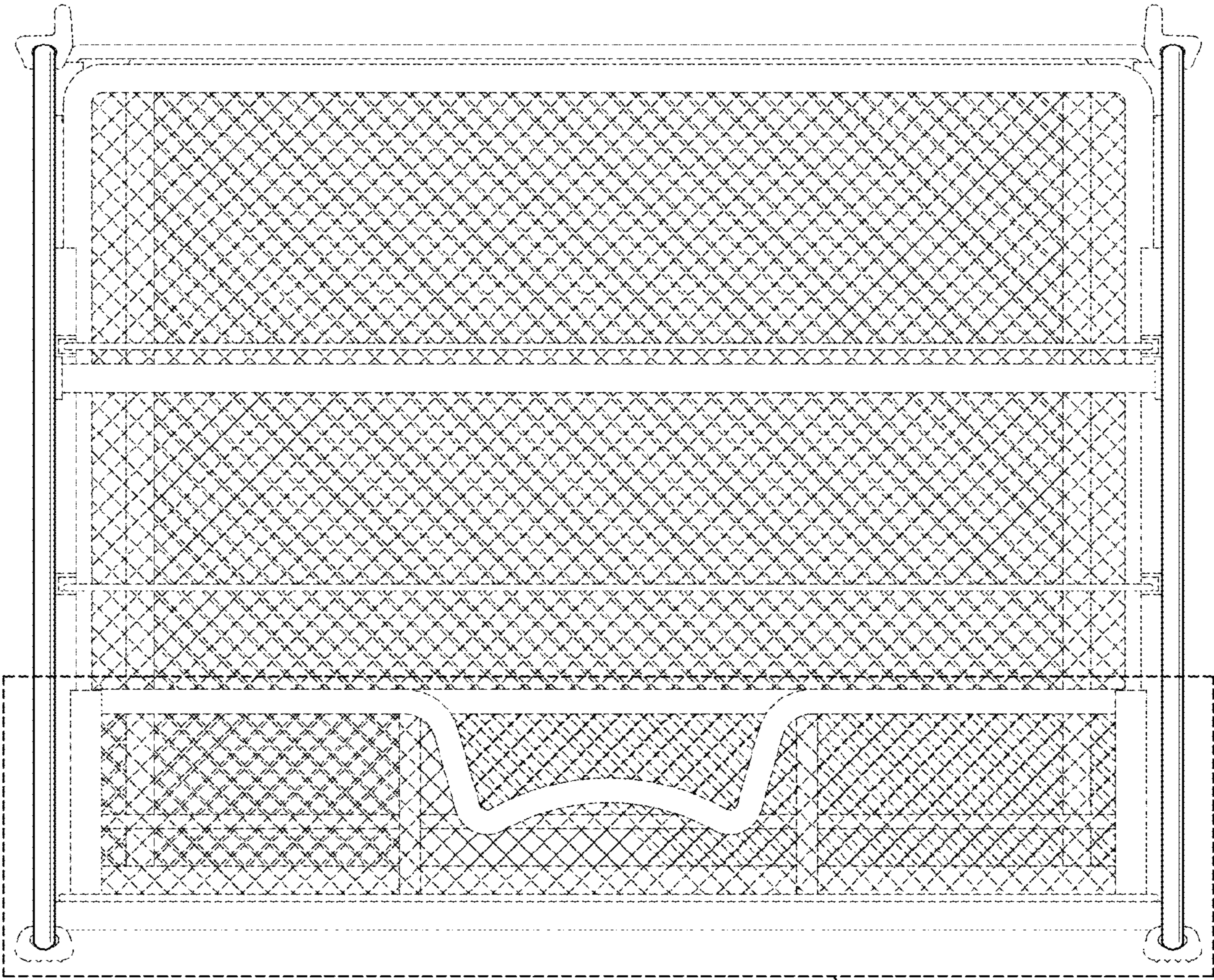


FIG. 9

FIG. 2

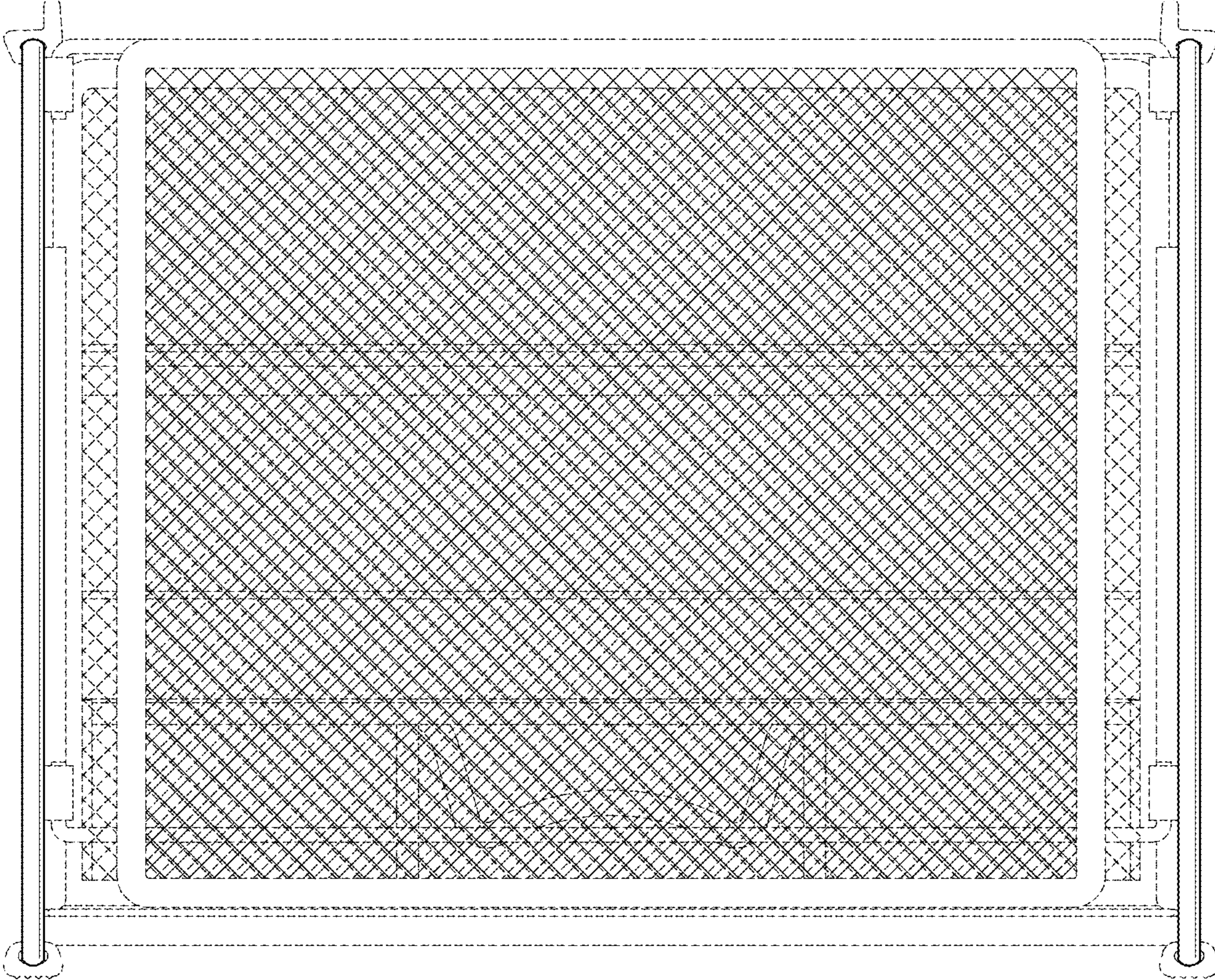


FIG. 3

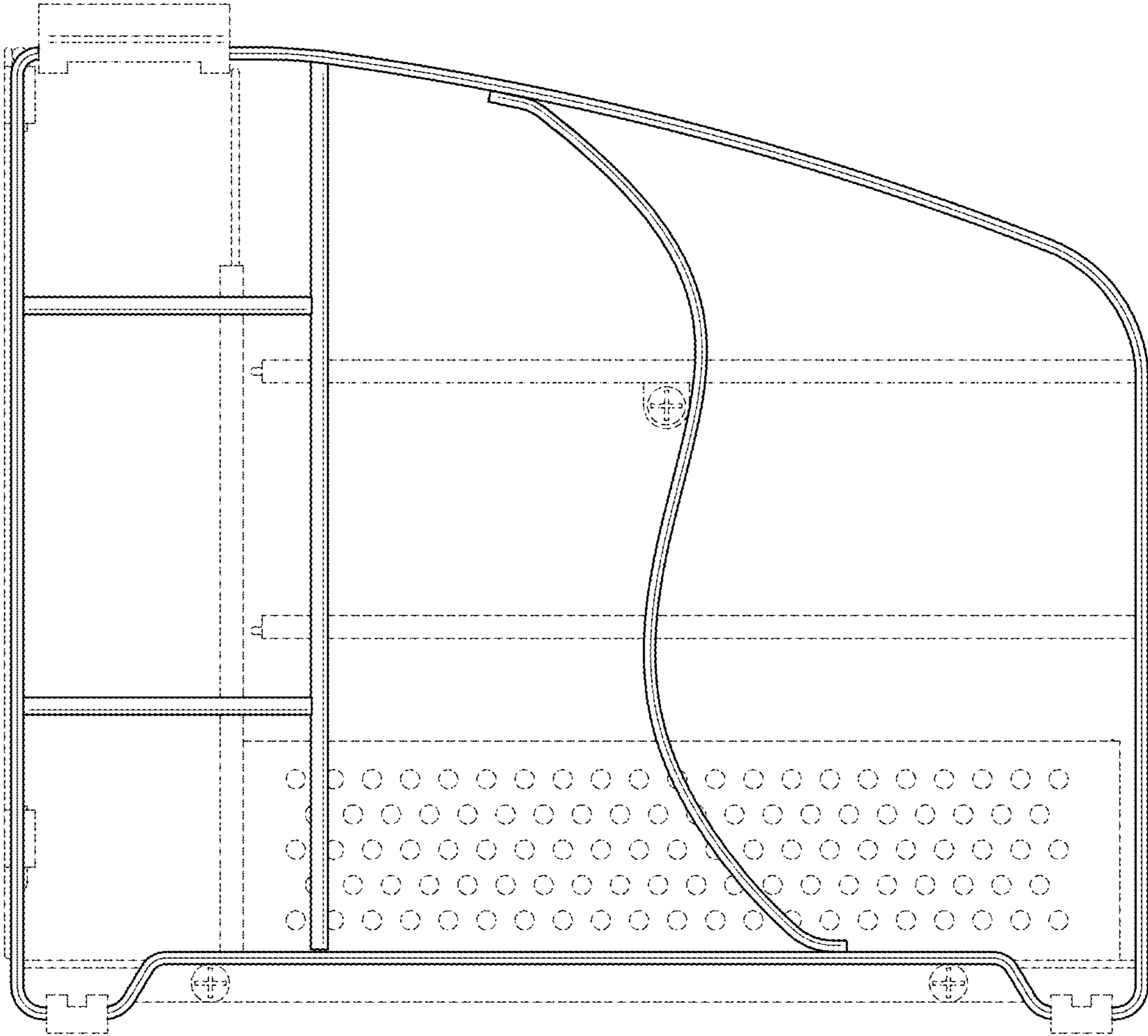


FIG. 4

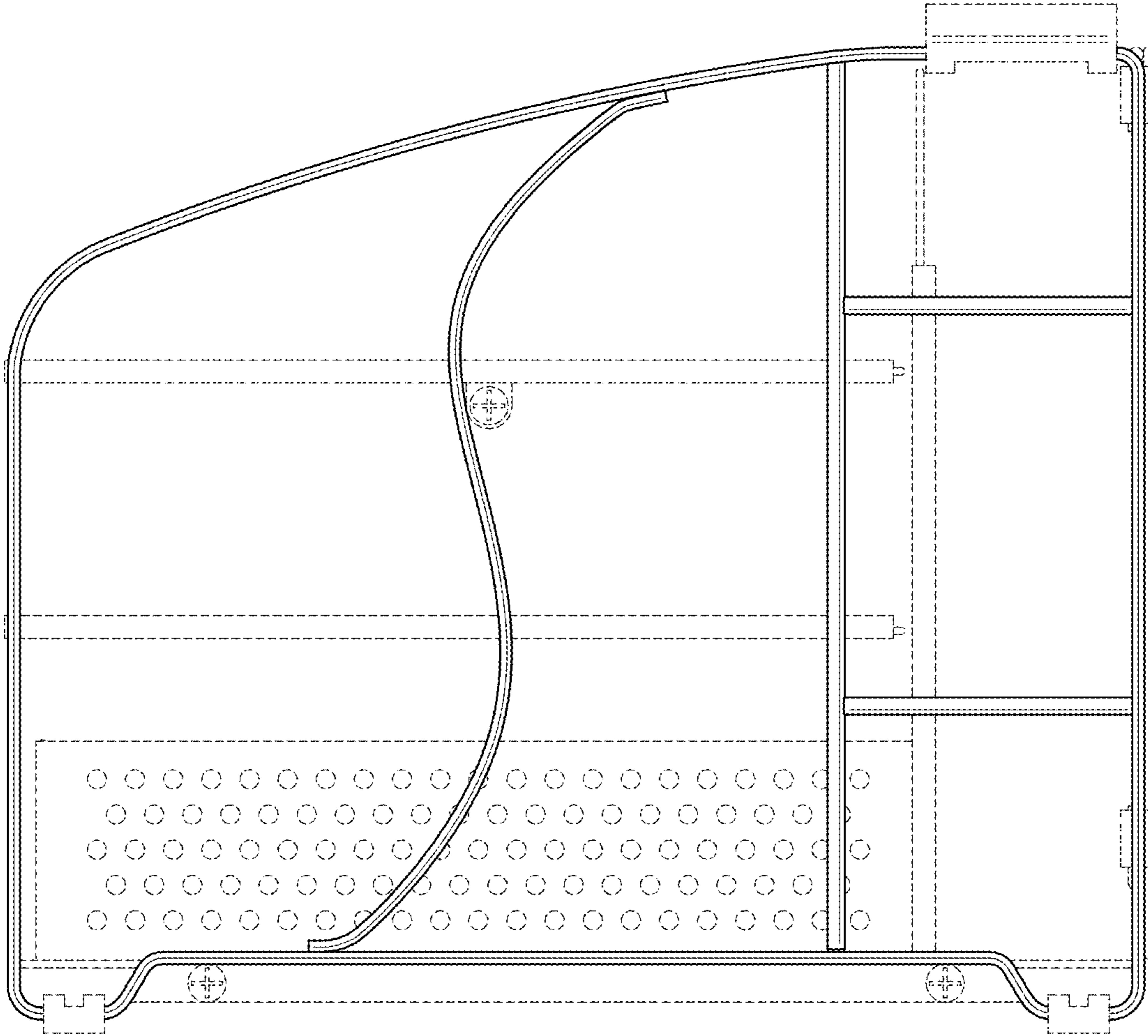


FIG. 5

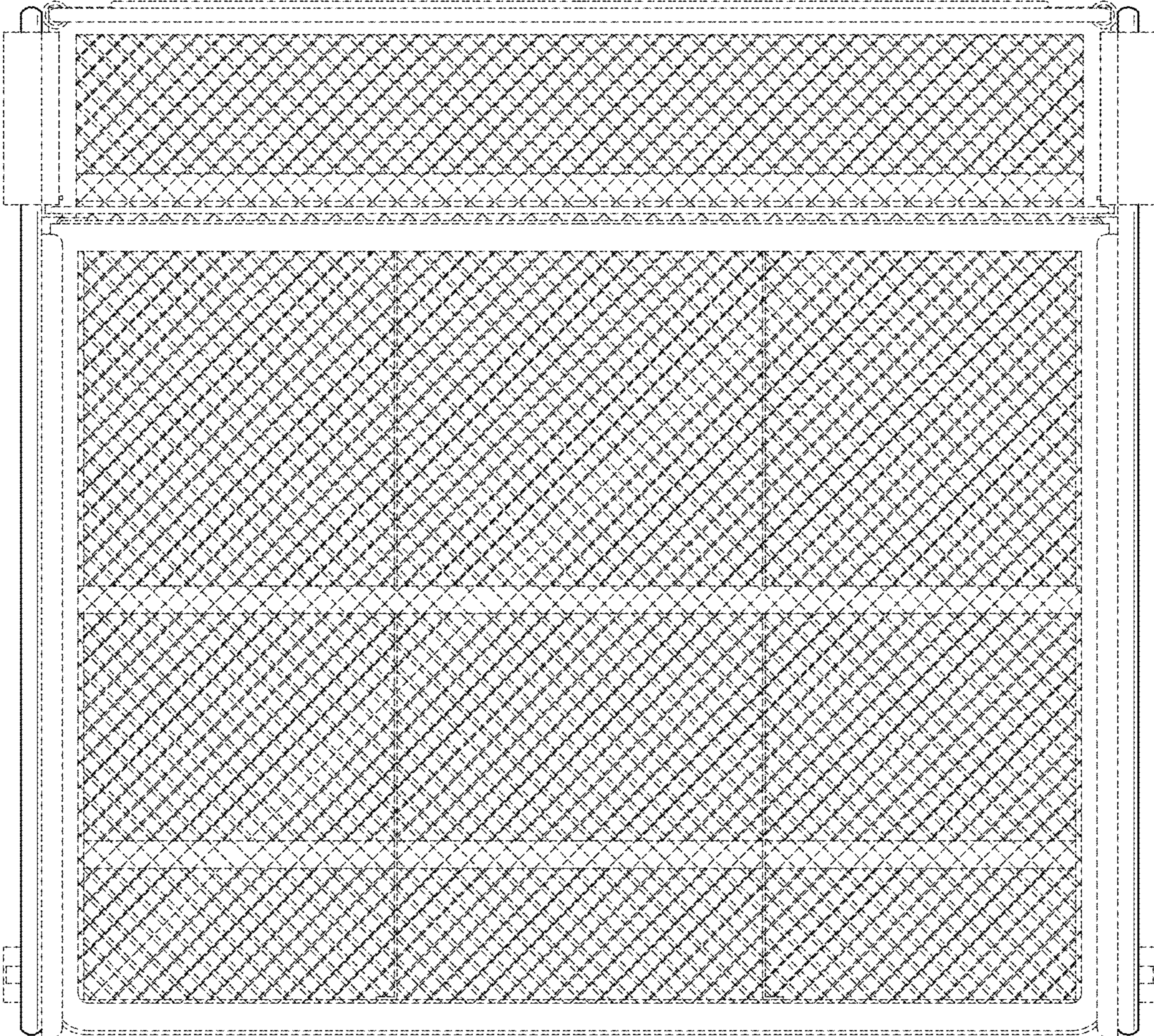


FIG. 6

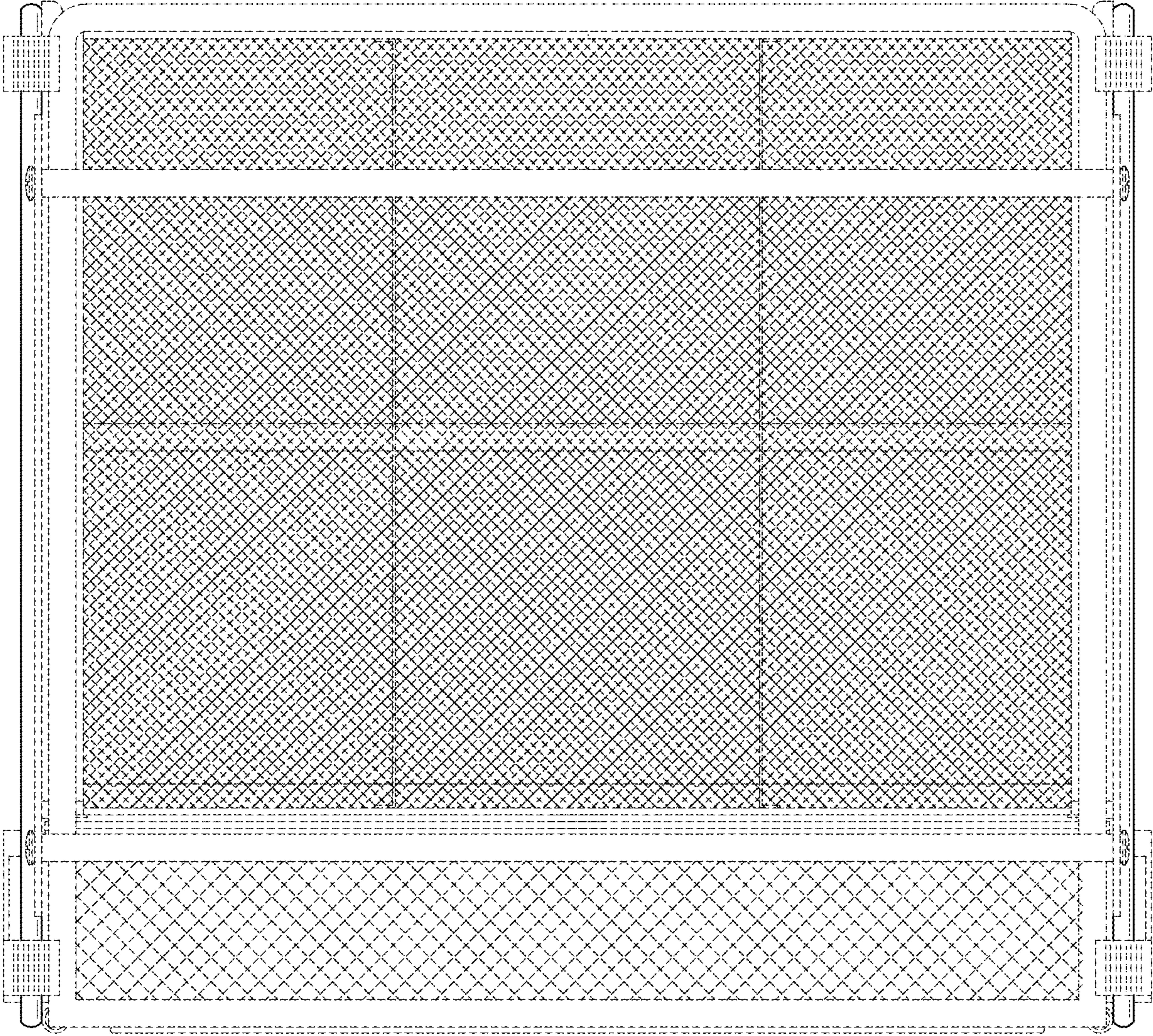


FIG. 7

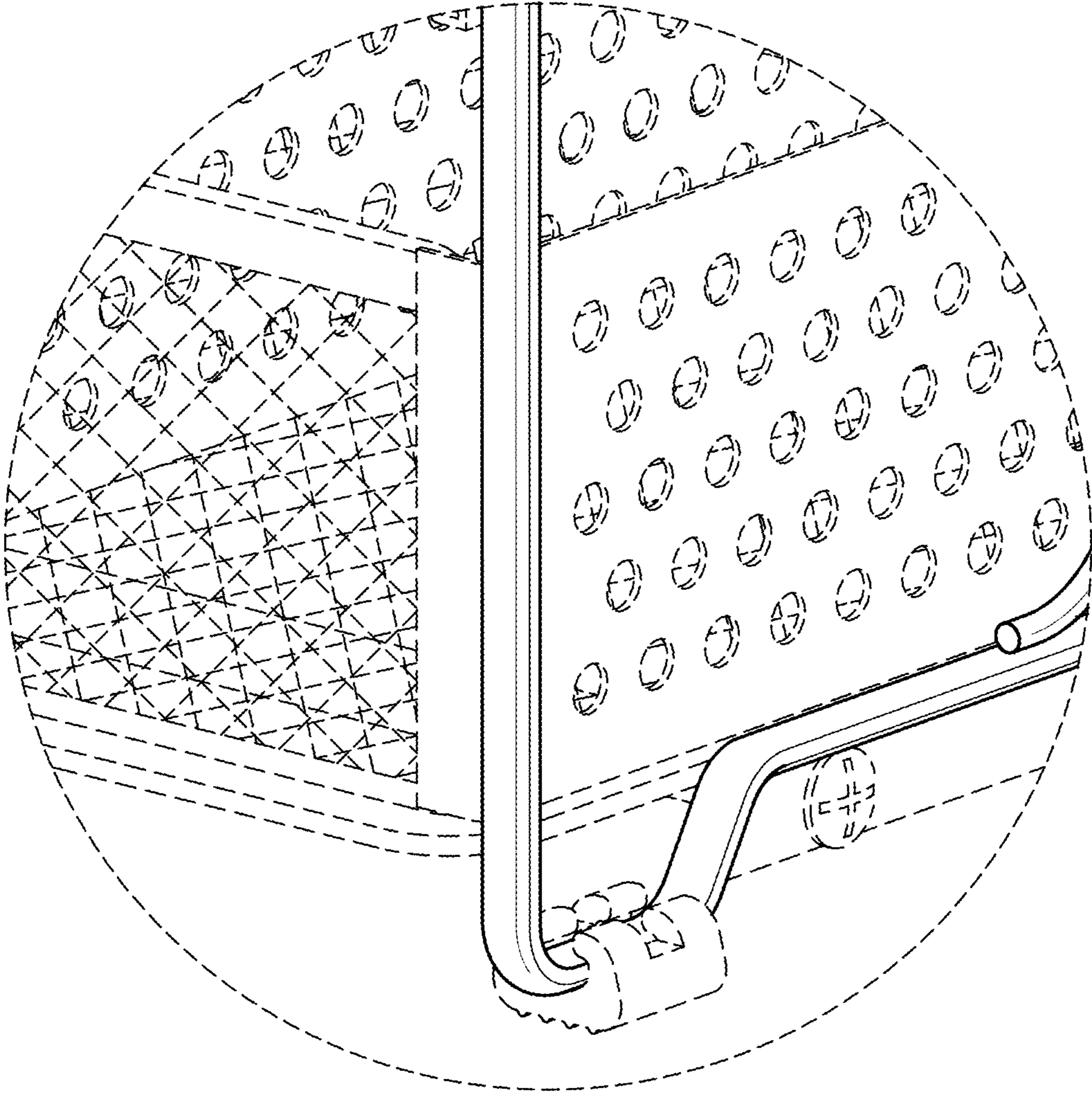


FIG. 8

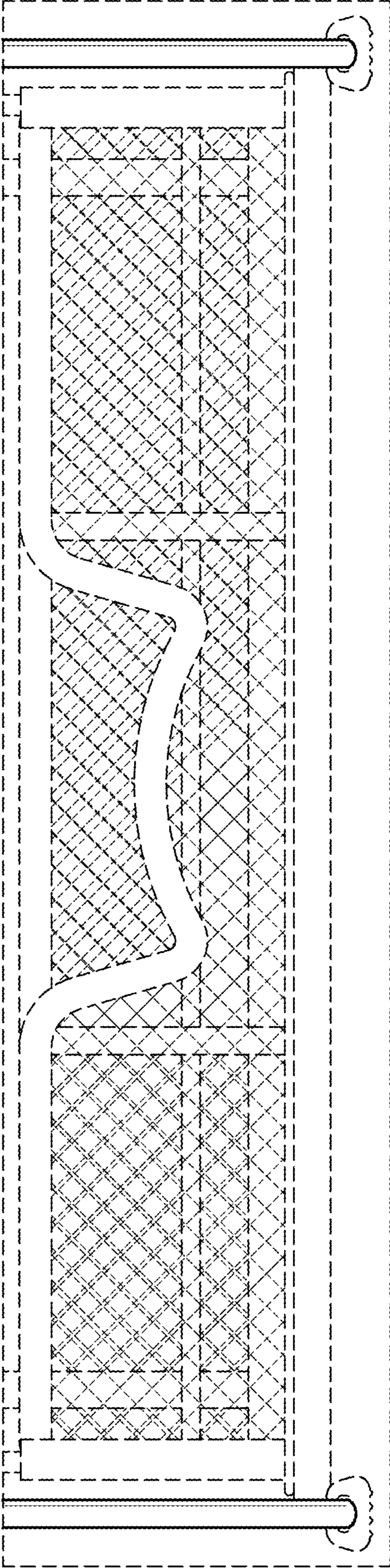


FIG. 9