

US00D956860S

(12) **United States Design Patent** (10) **Patent No.:** **US D956,860 S**
Lee et al. (45) **Date of Patent:** **** Jul. 5, 2022**

(54) **SET OF PORTABLE PRINTER AND DOCKING STATION**

(71) Applicant: **SKETCHON INC.**, Suwon-si (KR)

(72) Inventors: **Jong In Lee**, Seoul (KR); **Tae Sik Yun**, Seoul (KR); **Kyu Suk Lee**, Suwon-si (KR); **Dong Hoon Song**, Anyang-si (KR)

(73) Assignee: **SKETCHON INC.**, Suwon-si (KR)

(**) Term: **15 Years**

(21) Appl. No.: **29/758,115**

(22) Filed: **Nov. 12, 2020**

Related U.S. Application Data

(63) Continuation-in-part of application No. 29/673,005, filed on Dec. 11, 2018, now abandoned.

(30) **Foreign Application Priority Data**

Nov. 27, 2018 (KR) 30-2018-0055354

(51) **LOC (13) Cl.** **18-02**

(52) **U.S. Cl.**
USPC **D18/50**

(58) **Field of Classification Search**
USPC D6/700, 866.21, 406.5, 405.6, 694, 685,
D6/641, 553; D19/66, 67, 68, 69;
(Continued)

(56) **References Cited**

U.S. PATENT DOCUMENTS

D343,410 S * 1/1994 Sekiguchi D18/50
D352,055 S * 11/1994 Girard D18/49
(Continued)

FOREIGN PATENT DOCUMENTS

KR 3010174420002 * 10/2019
KR 3010174420003 * 10/2019

OTHER PUBLICATIONS

Prinker S Temporary Tattoo Device, Amazon.com, date published Jan. 1, 2020, date retrieved from internet 3-7-2022-29758115-https://amzn.to/3pLhDX8 (Year: 2020).*

Primary Examiner — Jennifer L Rempfer
Assistant Examiner — Danielle Nichole Bowly
(74) *Attorney, Agent, or Firm* — Cantor Colburn LLP

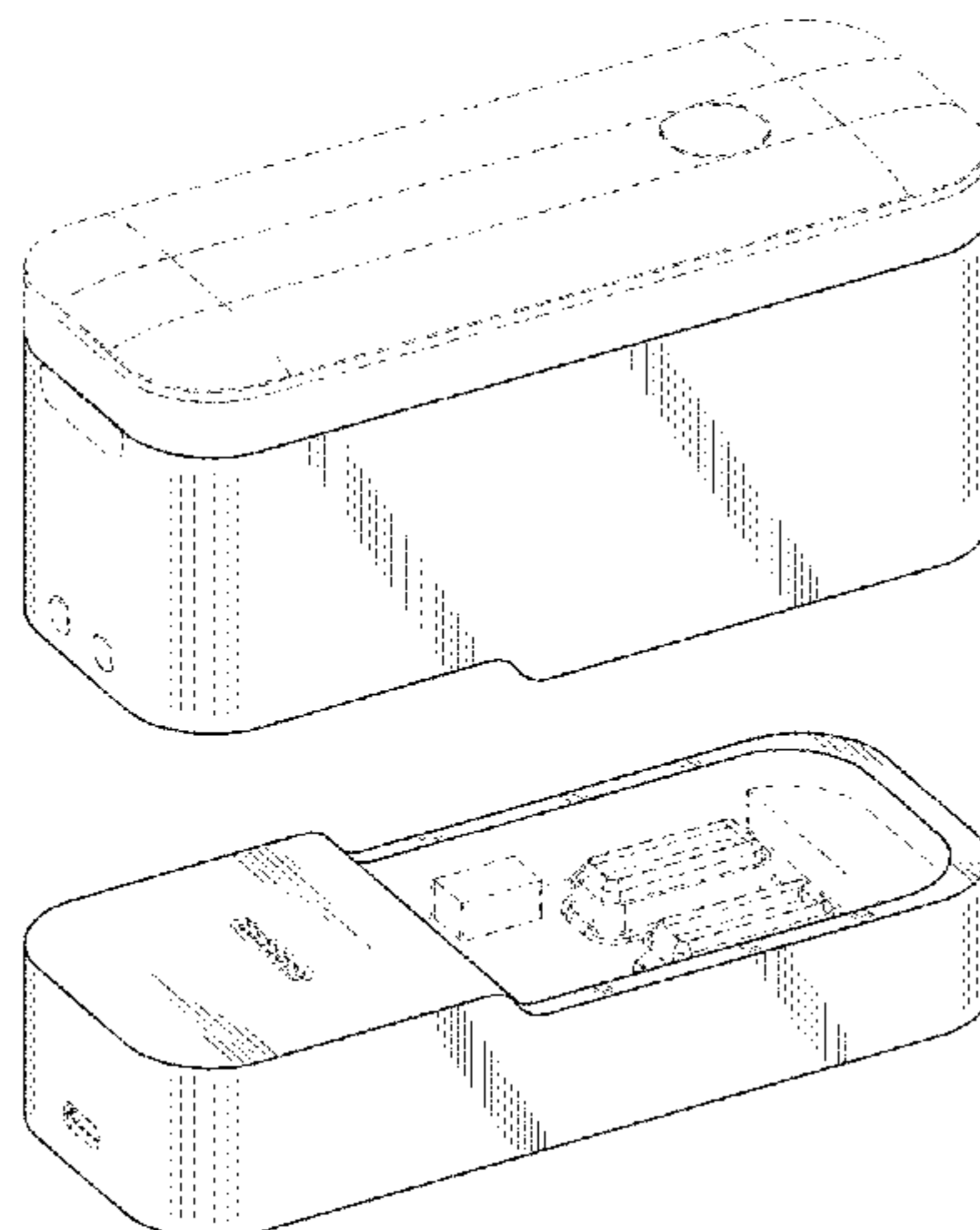
(57) **CLAIM**

The ornamental design for a set of portable printer and docking station, as shown and described.

DESCRIPTION

FIG. 1 is an exploded perspective view of the set of portable printer and docking station showing our new design; FIG. 2 is a perspective view thereof; FIG. 3 is a front view thereof; FIG. 4 is a rear view thereof; FIG. 5 is a left side view thereof; FIG. 6 is a right side view thereof; FIG. 7 is a top plan view thereof; FIG. 8 is a bottom view thereof; FIG. 9 is a perspective view of the portable printer of the set of portable printer and docking station; FIG. 10 is a front view thereof; FIG. 11 is a rear view thereof; FIG. 12 is a left side view thereof; FIG. 13 is a right side view thereof; FIG. 14 is a top plan view thereof; FIG. 15 is a bottom view thereof; FIG. 16 is a perspective view of the docking station of the set of portable printer and docking station; FIG. 17 is a front view thereof; FIG. 18 is a rear view thereof; FIG. 19 is a left side view thereof; FIG. 20 is a right side view thereof; FIG. 21 is a top plan view thereof; and, FIG. 22 is a bottom view thereof.

(Continued)



The broken lines shown in the drawings depict portions of the set of portable printer and docking station that form no part of the claimed design.

1 Claim, 13 Drawing Sheets

(58) Field of Classification Search

USPC D11/164; D8/367, 382; D18/8, 50, 53, D18/54, 55, 56, 57, 58, 59, 34.7, 34.3, D18/34.1, 4.1

CPC G06F 3/02; H04N 1/00278; B32B 27/08; G11B 23/40

See application file for complete search history.

(56) References Cited

U.S. PATENT DOCUMENTS

D489,082 S * 4/2004 Nakaeda D18/19
D492,719 S * 7/2004 Schmitt D18/50

D504,696 S * 5/2005 Swayze D18/50
D518,500 S * 4/2006 Loew D16/230
D590,013 S * 4/2009 Miticocchio D18/50
D622,760 S * 8/2010 Kimura D18/50
D672,388 S * 12/2012 Kim D18/50
D719,207 S * 12/2014 Chen D16/230
D740,881 S * 10/2015 So D18/50
D761,902 S * 7/2016 Matsumoto D18/50
D765,166 S * 8/2016 Takahashi D18/50
D766,359 S * 9/2016 Takahashi D18/50
D771,182 S * 11/2016 Takahashi D18/50
D775,275 S * 12/2016 Takahashi D18/50
D781,955 S * 3/2017 Kim D18/50
D870,806 S * 12/2019 Ozawa B41J 15/042
D18/50
D888,821 S * 6/2020 Liao D18/14
D889,535 S * 7/2020 Chen D18/14
D892,920 S * 8/2020 Nakatani D18/50
D894,264 S * 8/2020 Sarro D18/19
D914,083 S * 3/2021 Yamada D18/19
2014/0060432 A1 * 3/2014 Onodera B41J 15/042
118/712

* cited by examiner

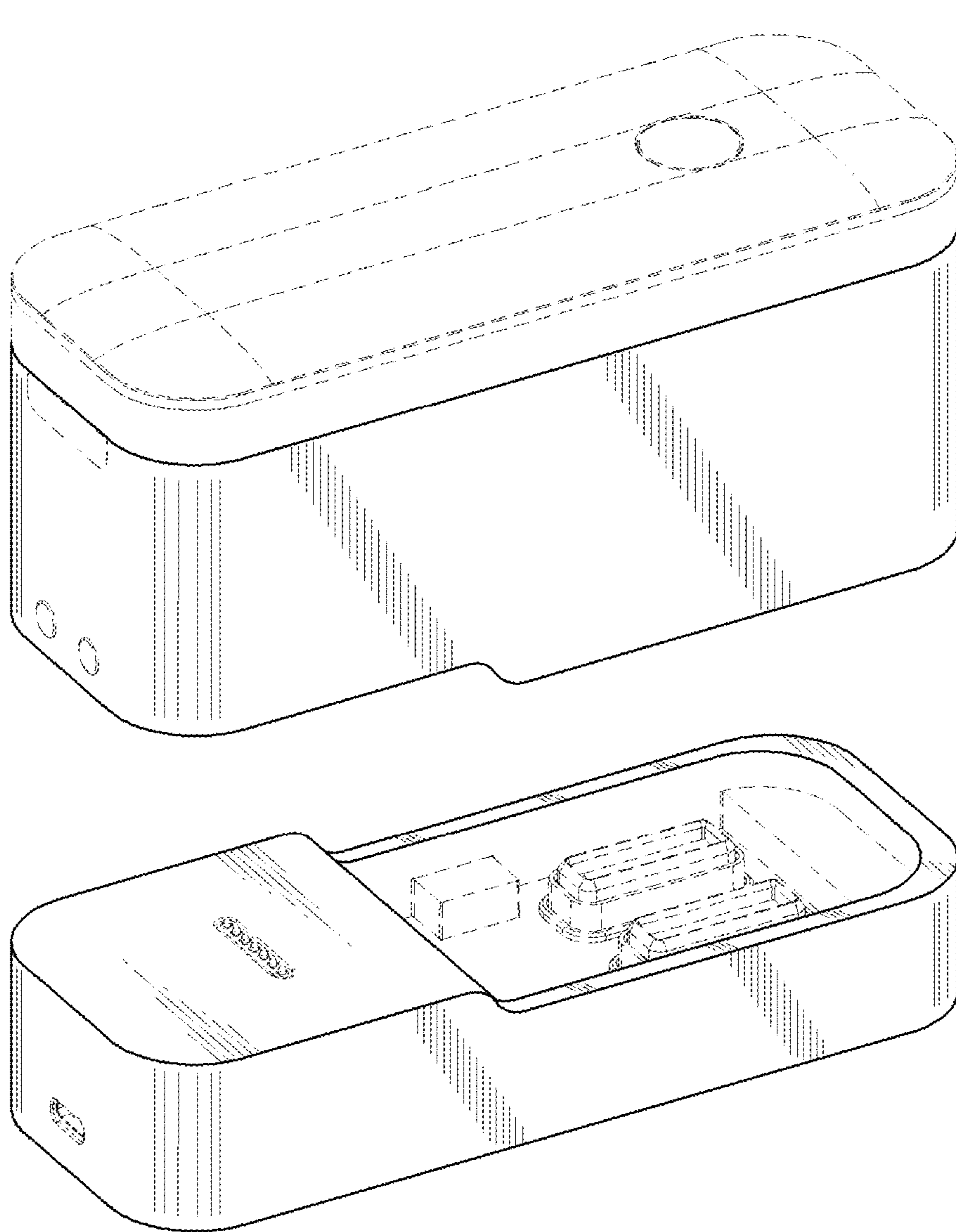


FIG. 1

FIG. 2

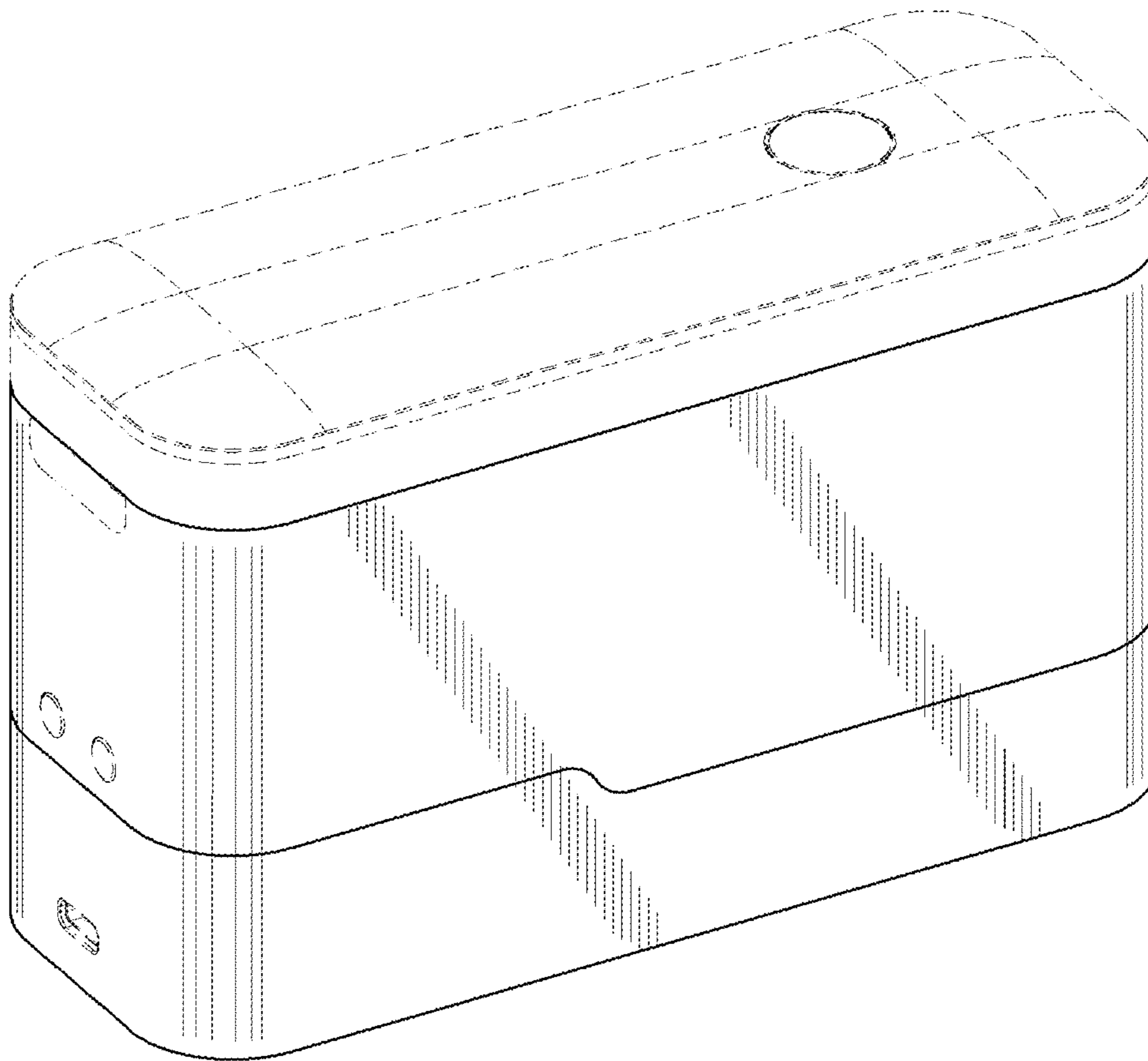


FIG. 3

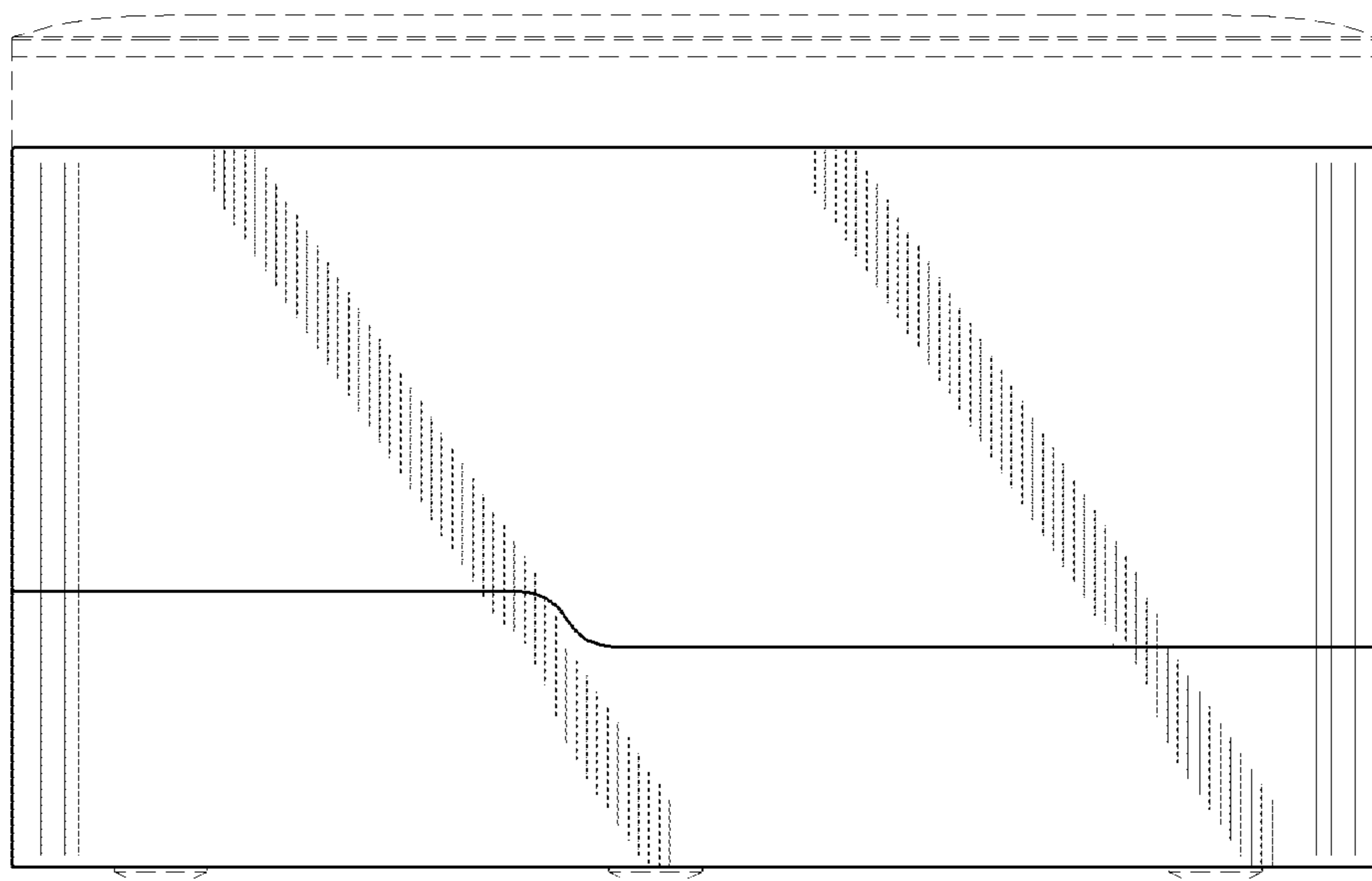


FIG. 4

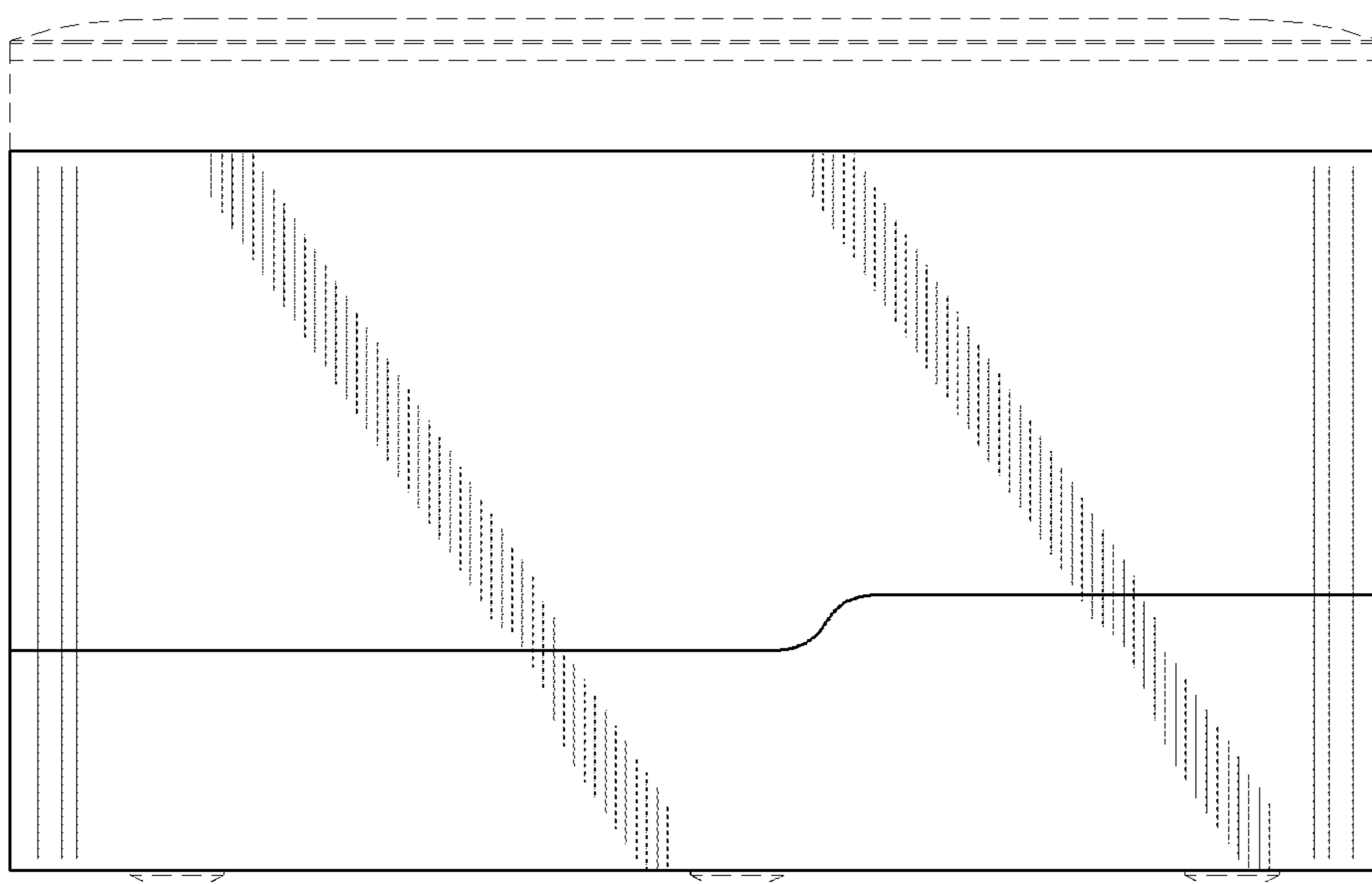


FIG. 5

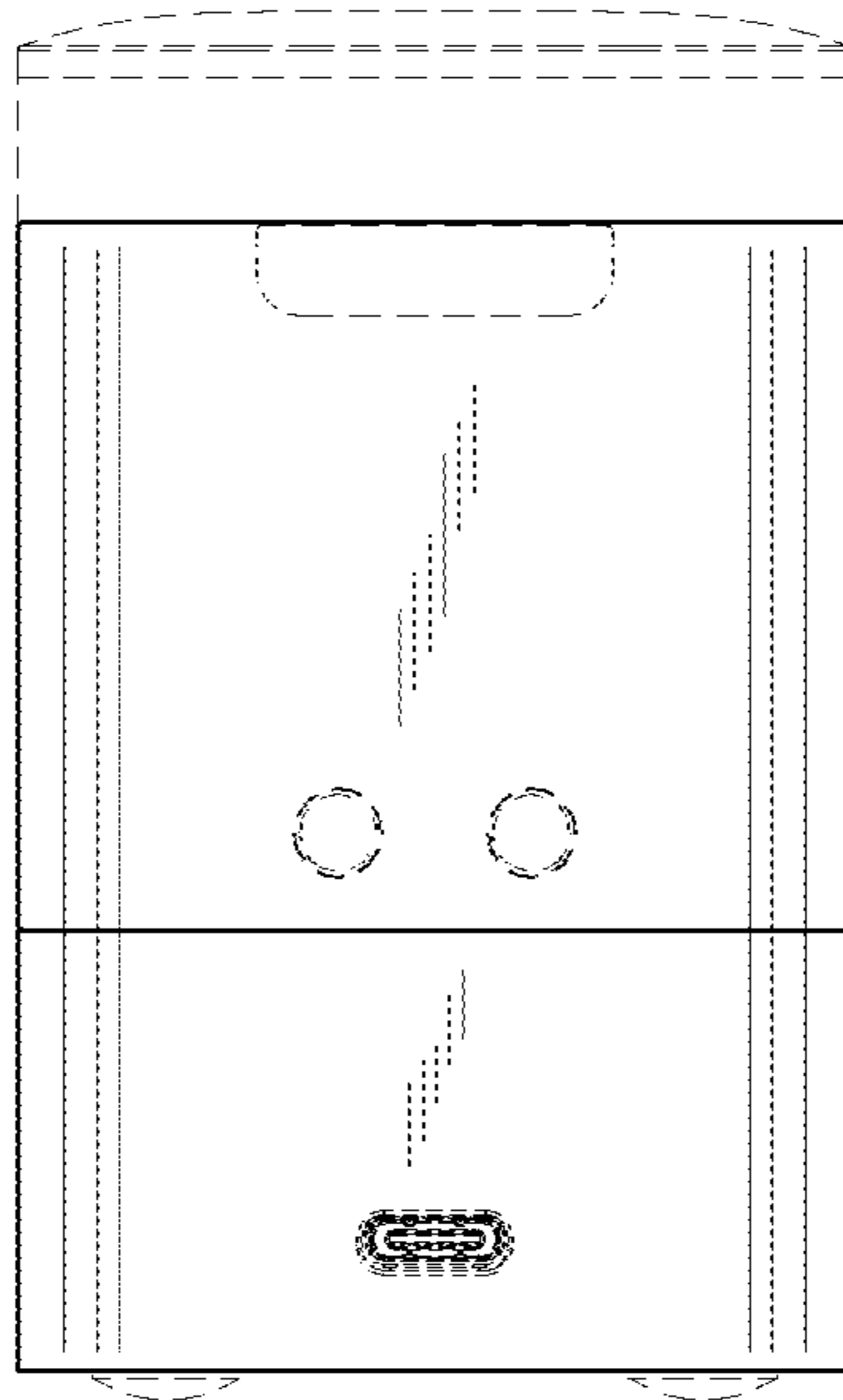


FIG. 6

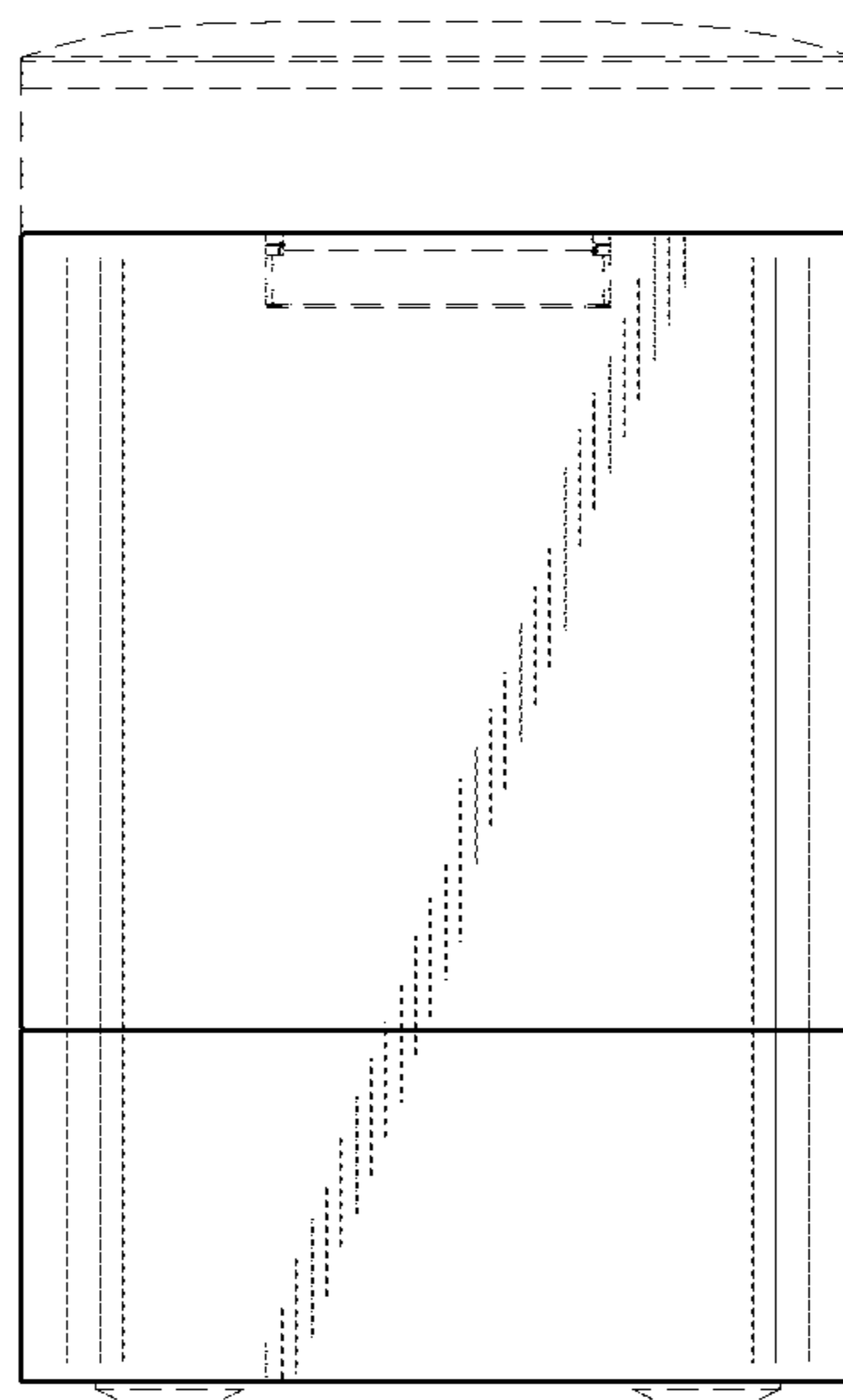


FIG. 7

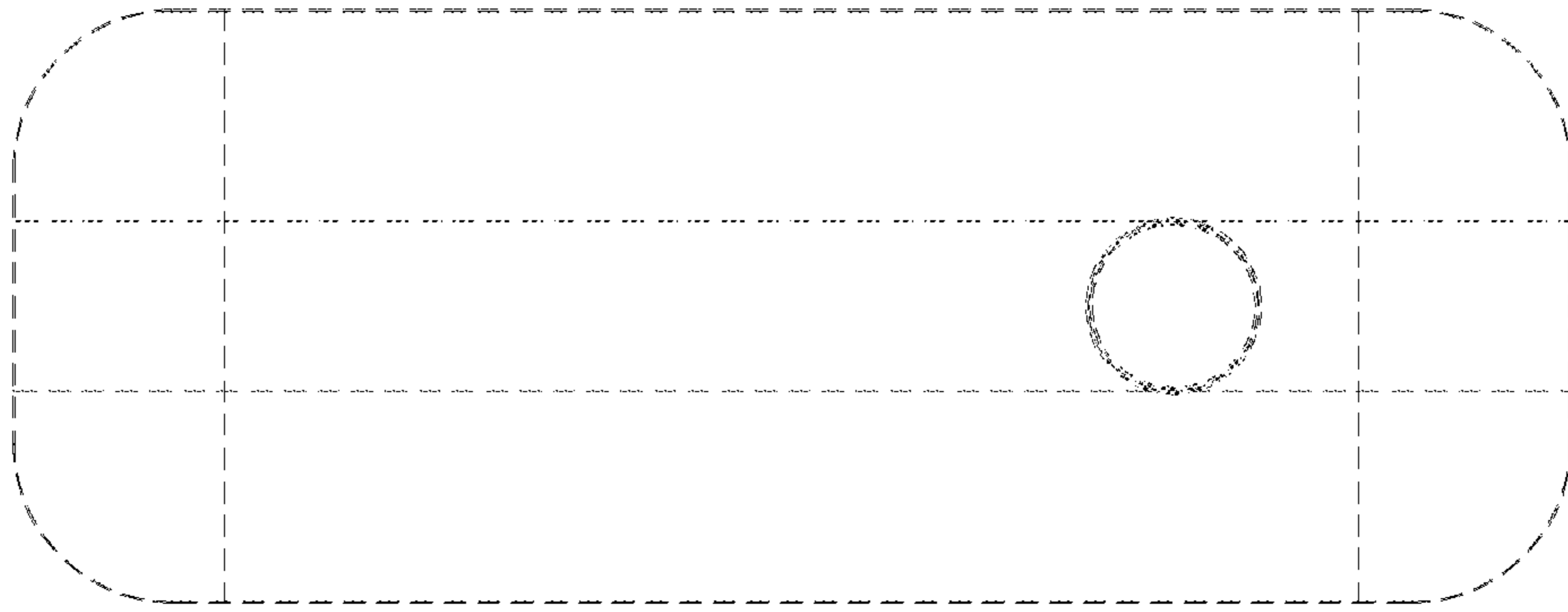


FIG. 8

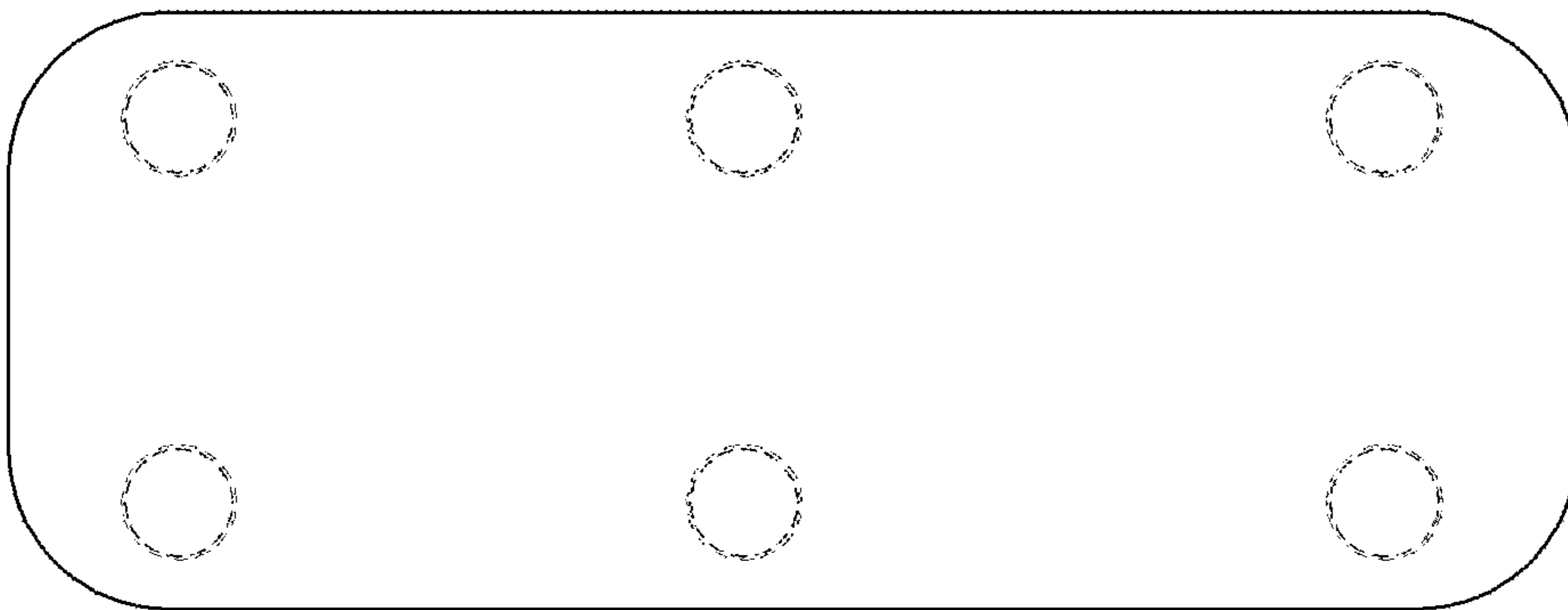


FIG. 9

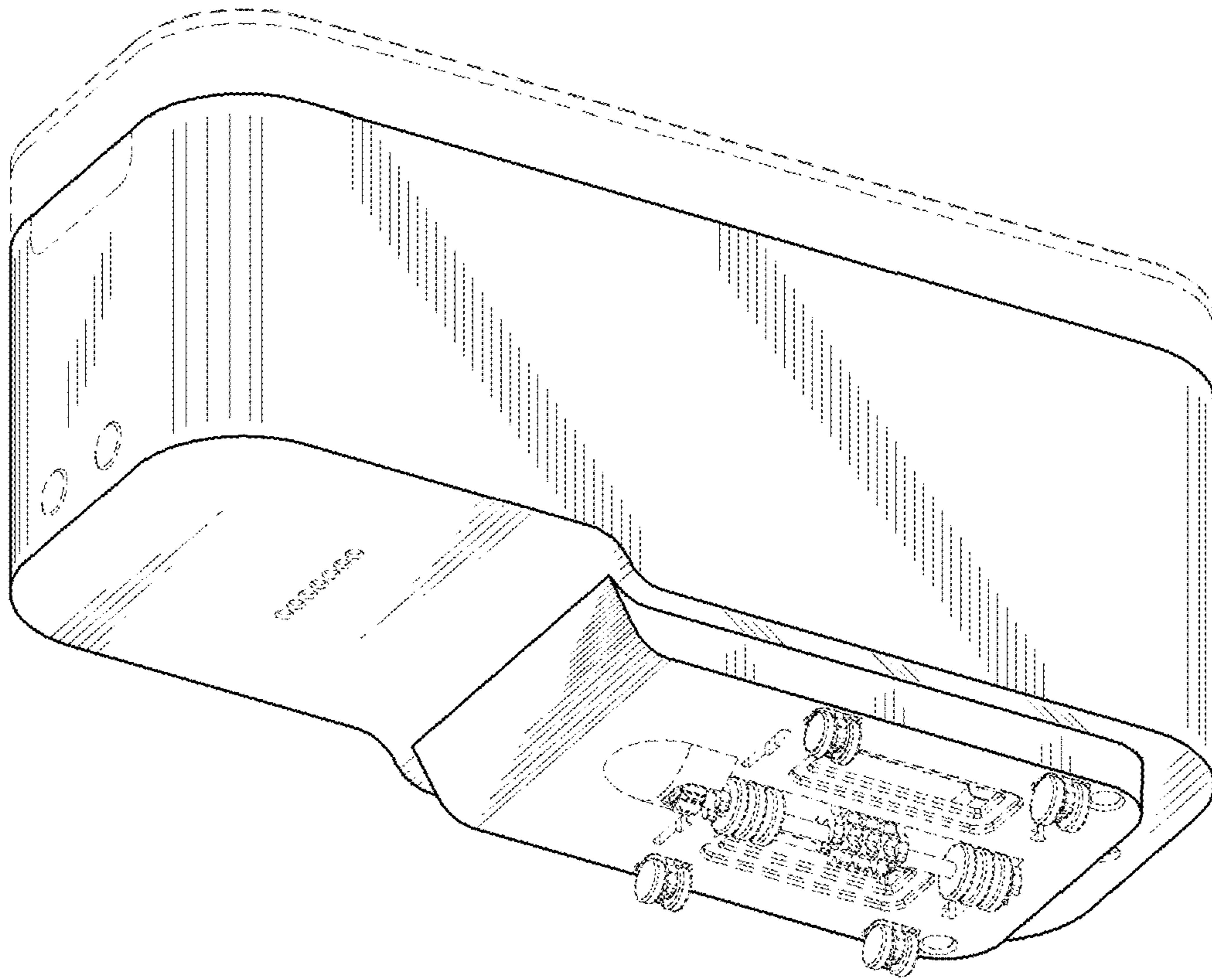


FIG. 10

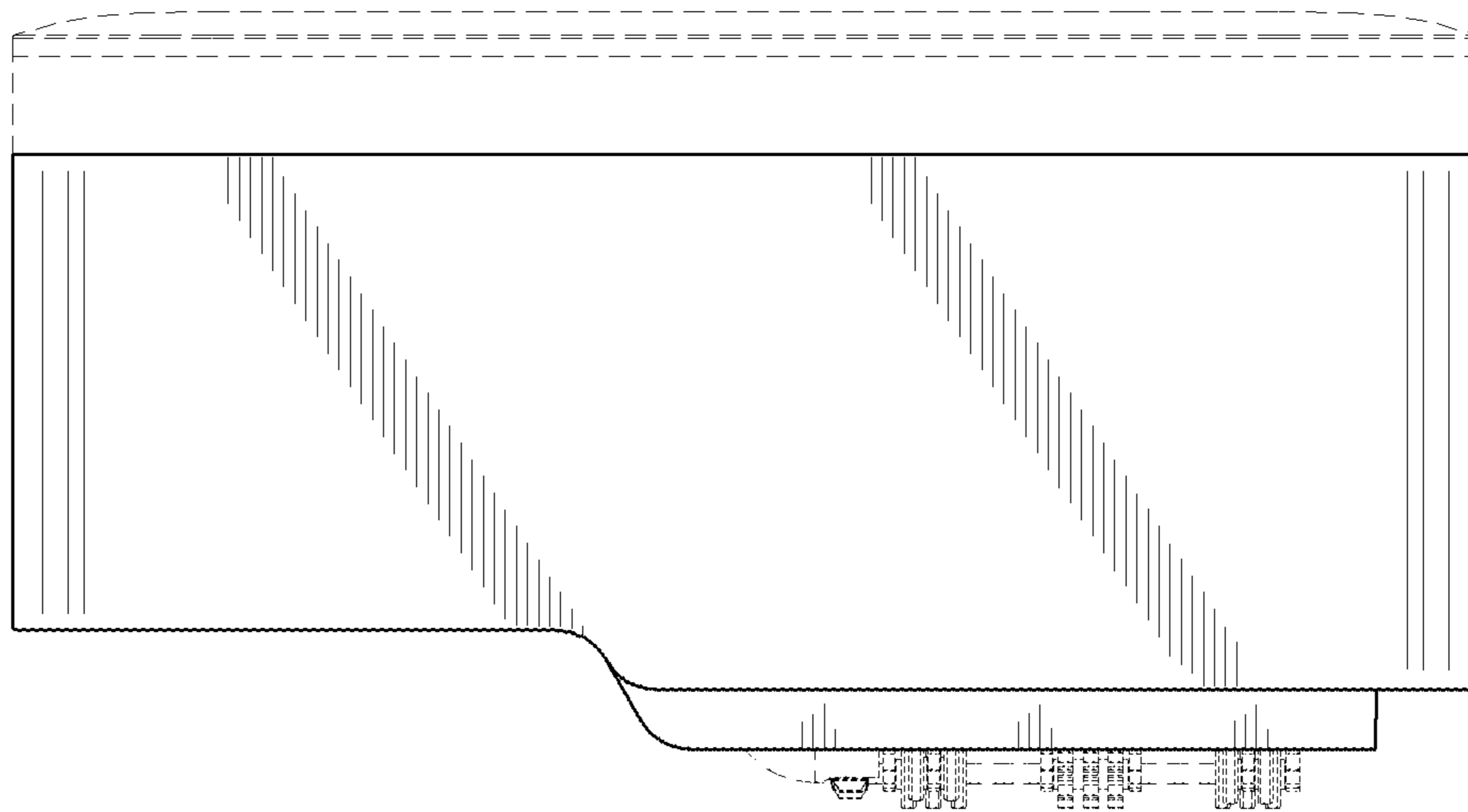


FIG. 11

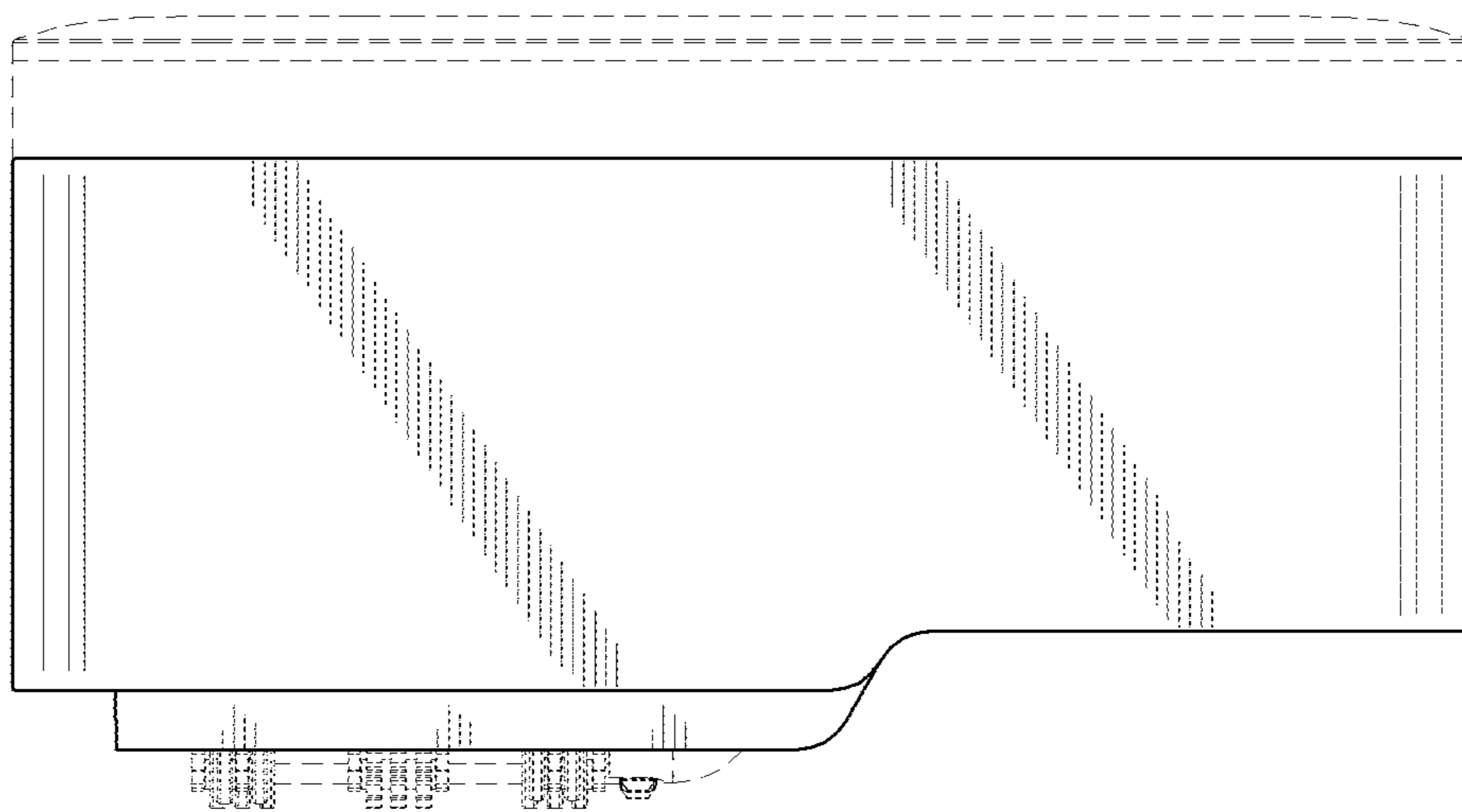


FIG. 12

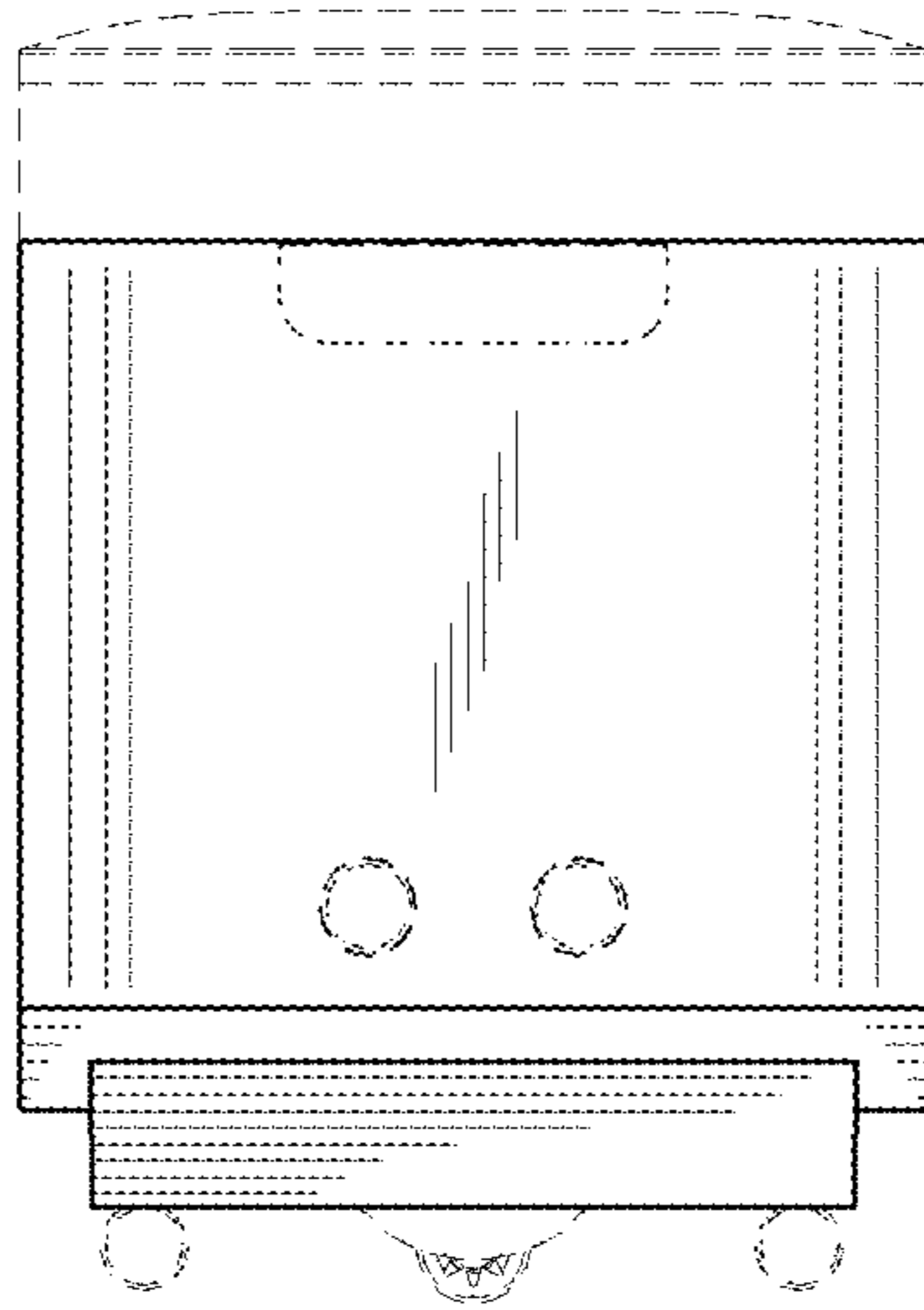


FIG. 13

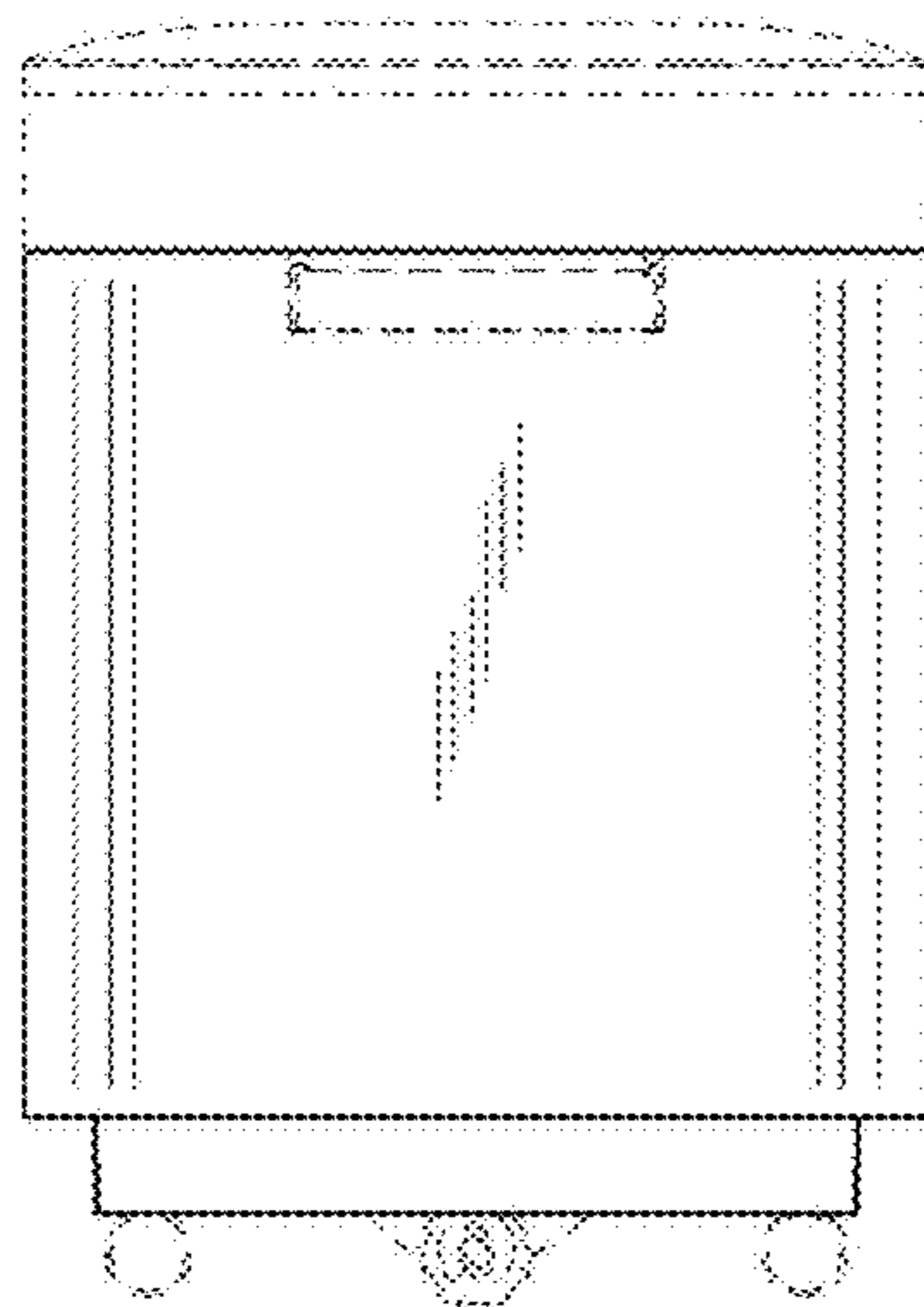


FIG. 14

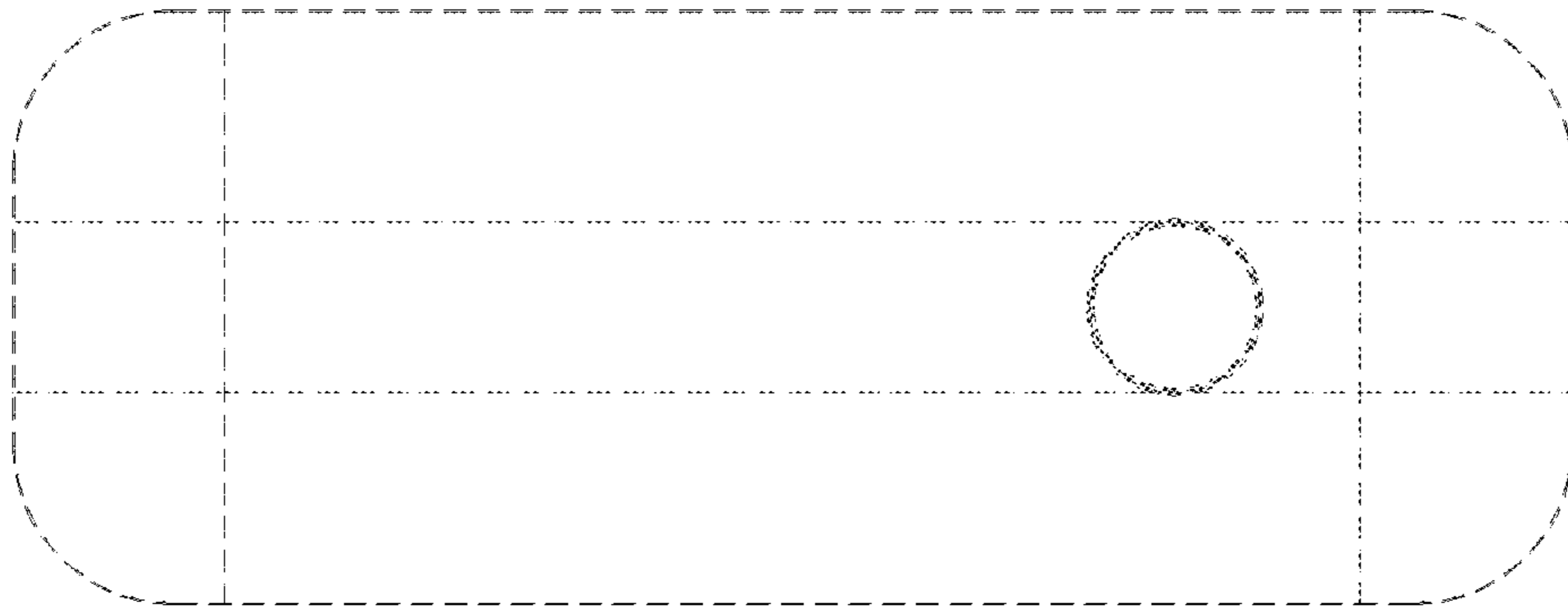


FIG. 15

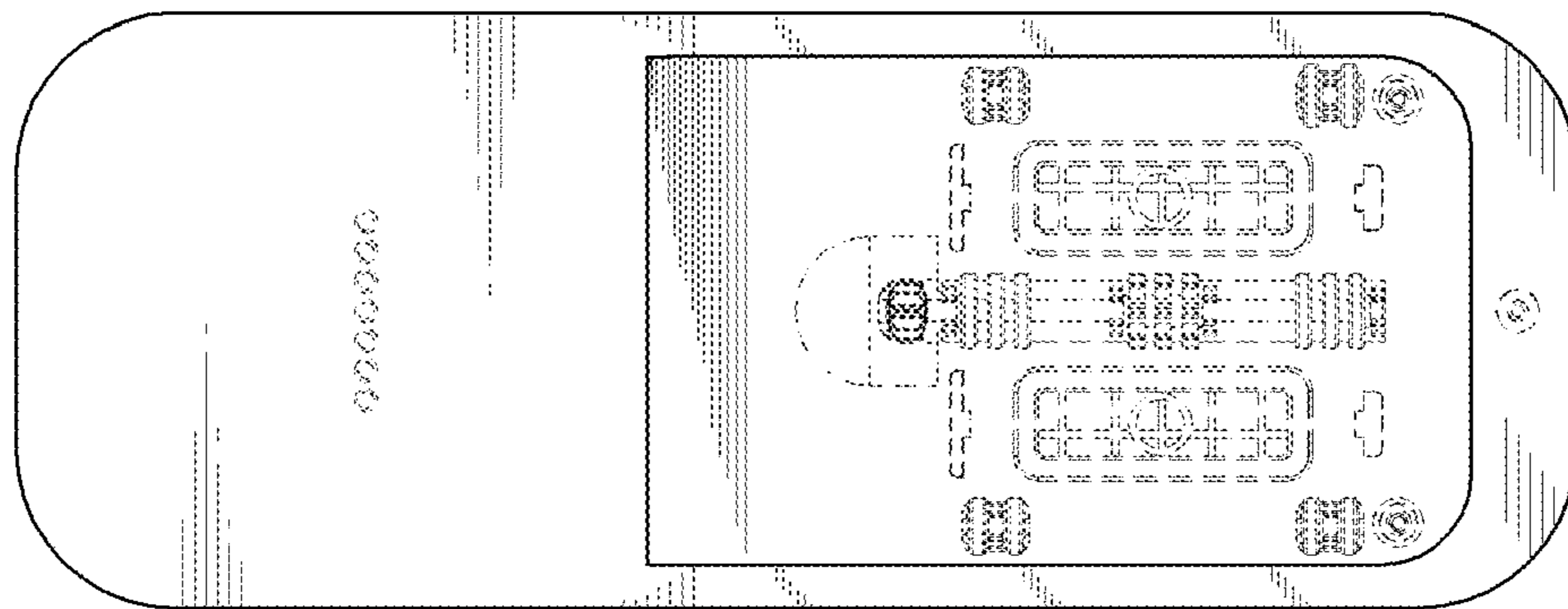


FIG. 16

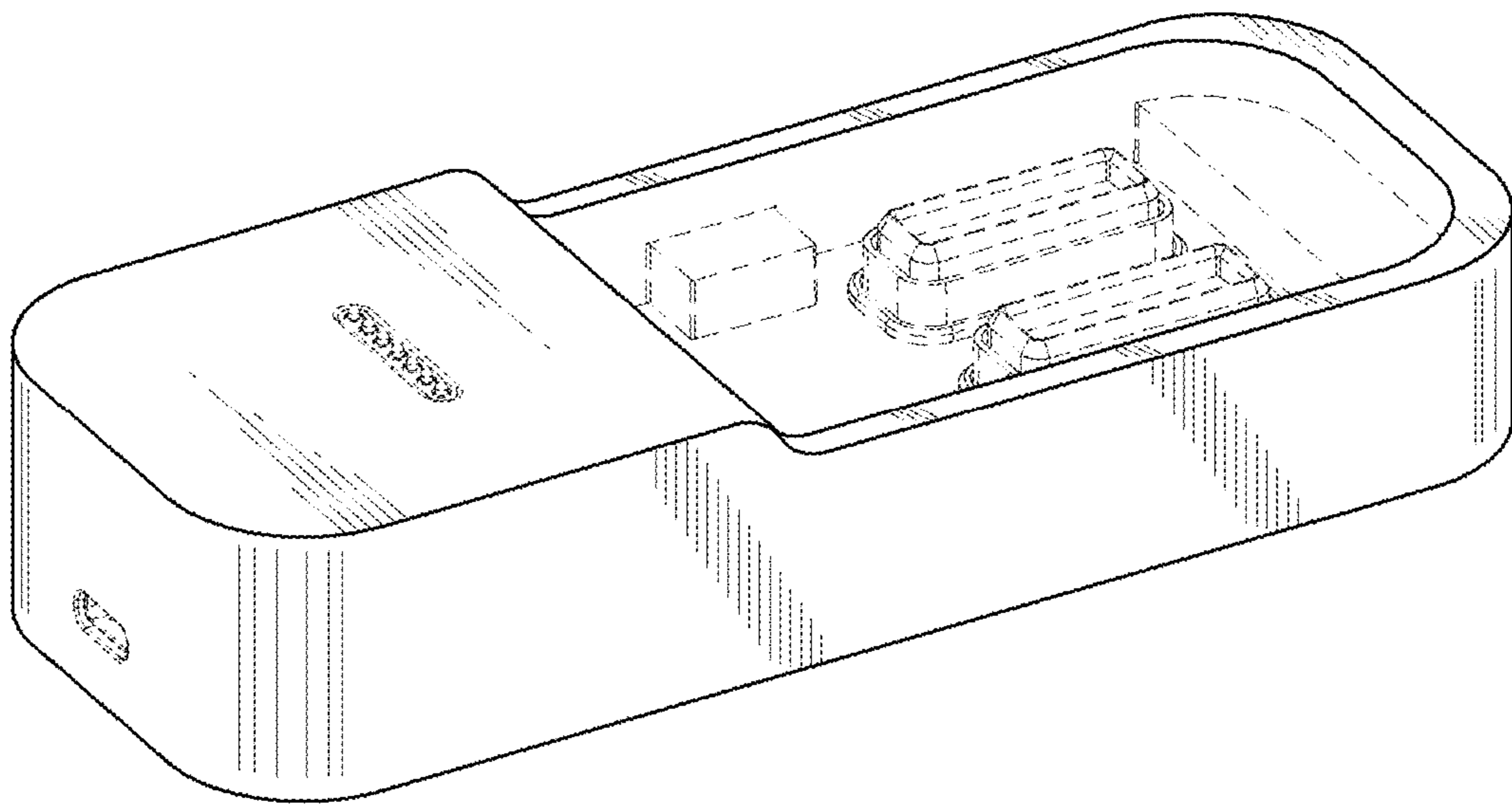


FIG. 17

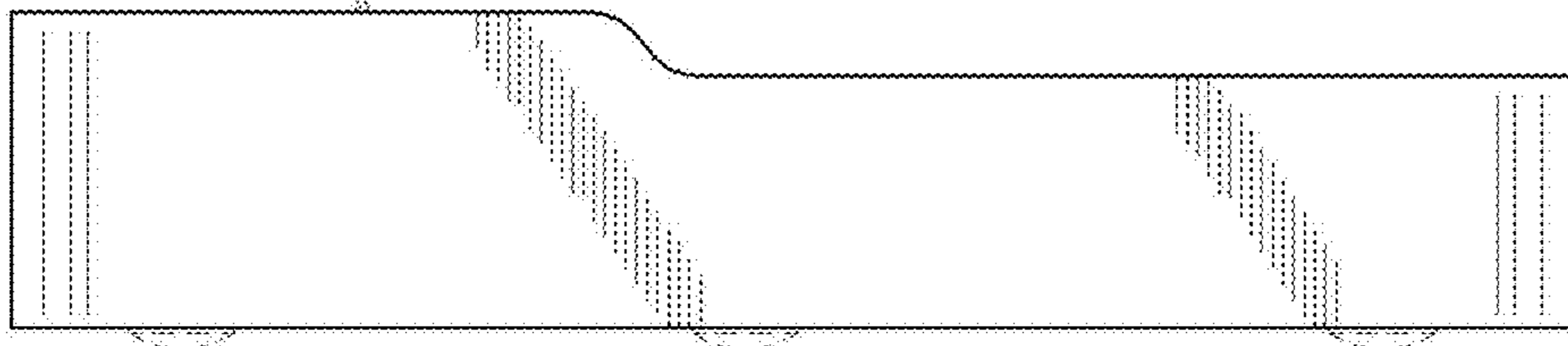


FIG. 18

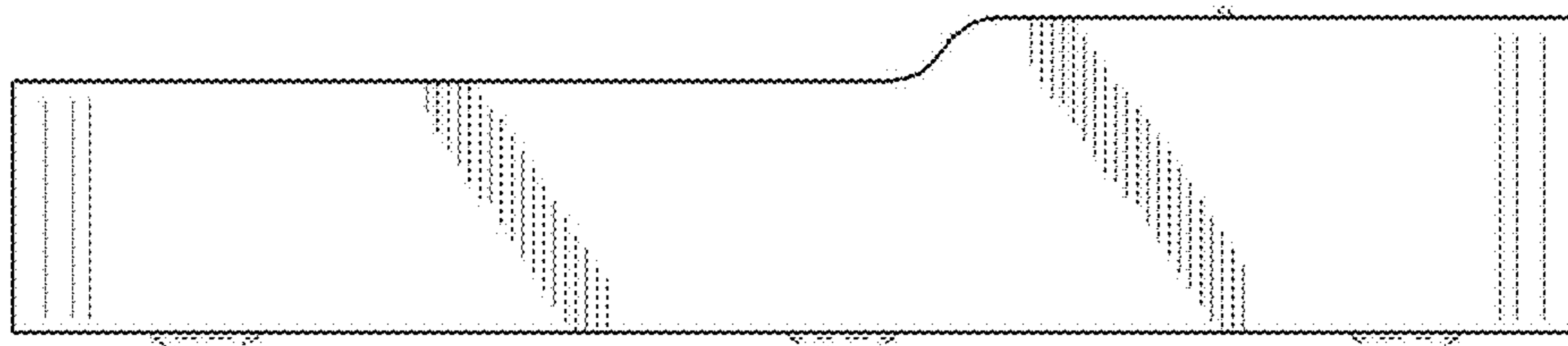


FIG. 19

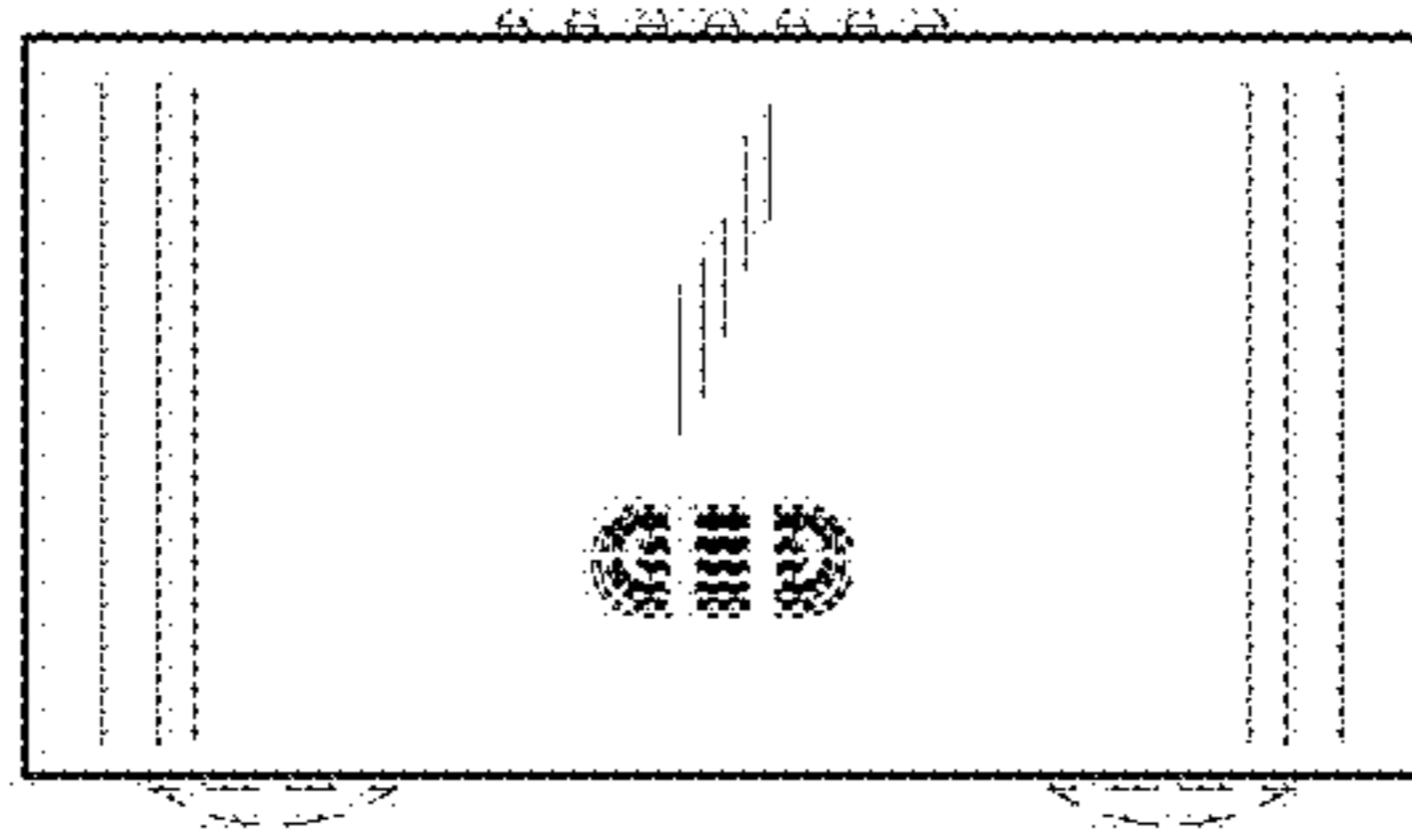


FIG. 20

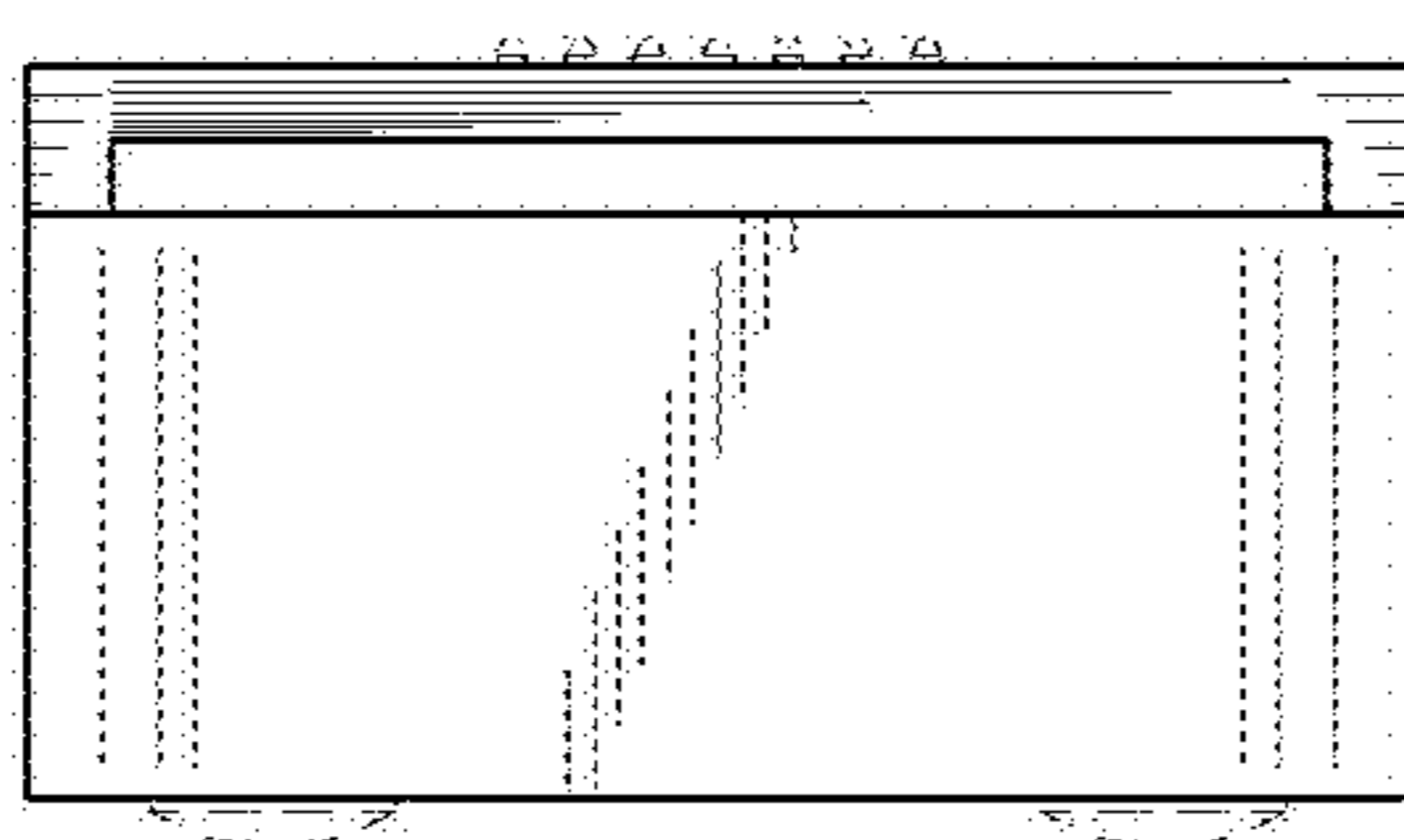


FIG. 21

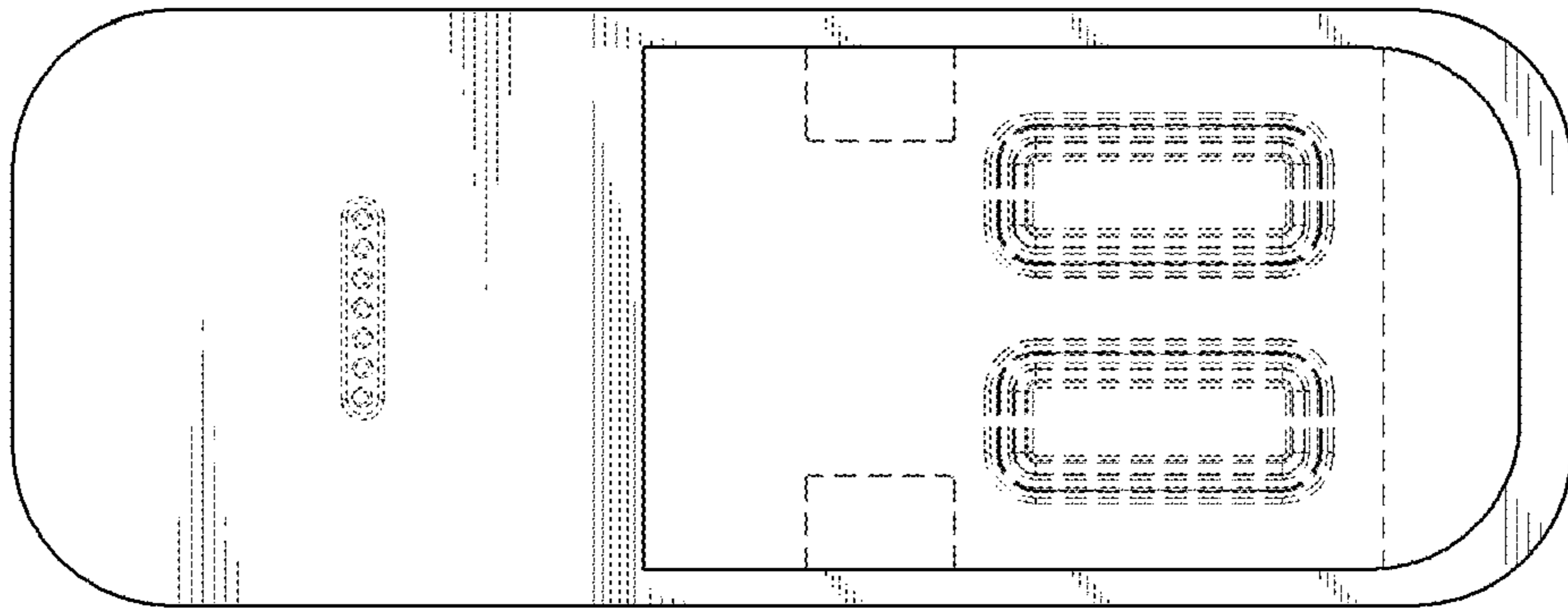


FIG. 22

