



US00D956859S

(12) **United States Design Patent** (10) **Patent No.:** **US D956,859 S**
Jensen (45) **Date of Patent:** **** Jul. 5, 2022**

(54) **HOLDER FOR PAYMENT TERMINAL**

(71) Applicant: **Ergonomic Solutions International Limited**, Epsom (GB)

(72) Inventor: **Lars Enghave Jensen**, Nørresundby (DK)

(**) Term: **15 Years**

(21) Appl. No.: **35/510,950**

(22) Filed: **Nov. 19, 2020**

(80) **Hague Agreement Data**

Int. Filing Date: **Nov. 19, 2020**

Int. Reg. No.: **DM/211475**

Int. Reg. Date: **Nov. 19, 2020**

Int. Reg. Pub. Date: **Dec. 11, 2020**

(30) **Foreign Application Priority Data**

Oct. 7, 2020 (EM) 008196927-0004

(51) **LOC (13) Cl.** **18-01**

(52) **U.S. Cl.**
USPC **D18/12; D14/253**

(58) **Field of Classification Search**

USPC D14/447, 432, 434, 439, 440, 451, 452, D14/457, 239, 251, 253; D8/349, 363, D8/364, 373, 380, 381; D12/415, 419, D12/420; D6/512; D18/4.4-4.6, 12, 12.1
CPC A47B 21/04; A47B 2097/006; A47B 2097/005; A47B 2023/049; A45C 2011/002; A45C 2011/003; F16M 2200/00; F16M 13/00

See application file for complete search history.

(56) **References Cited**

U.S. PATENT DOCUMENTS

D300,890 S 5/1989 Roland
D300,891 S 5/1989 Roland

D326,359 S * 5/1992 Friend D12/420
D338,105 S * 8/1993 Karch D12/420
D367,477 S 2/1996 Rosen
D401,211 S 11/1998 Simpson
D409,895 S 5/1999 Schron, Jr. et al.
D474,676 S * 5/2003 Bainbridge D8/354
D482,954 S 12/2003 Hoernig
D494,183 S 8/2004 Wills et al.
D514,896 S 2/2006 Wickenhauser
D524,807 S * 7/2006 Topinka D14/253
D581,250 S 11/2008 Florent
D605,102 S 12/2009 Peschmann
D655,297 S 3/2012 Magnusson
D718,699 S 12/2014 Nirenberg
D724,346 S 3/2015 Lim et al.
D736,210 S * 8/2015 Paradise D14/434
D771,031 S 11/2016 Ou et al.
D772,236 S 11/2016 Anderson

(Continued)

OTHER PUBLICATIONS

U.S. Appl. No. 35/510,908, filed Nov. 19, 2020, Jensen.

(Continued)

Primary Examiner — Keli L Hill

(57) **CLAIM**

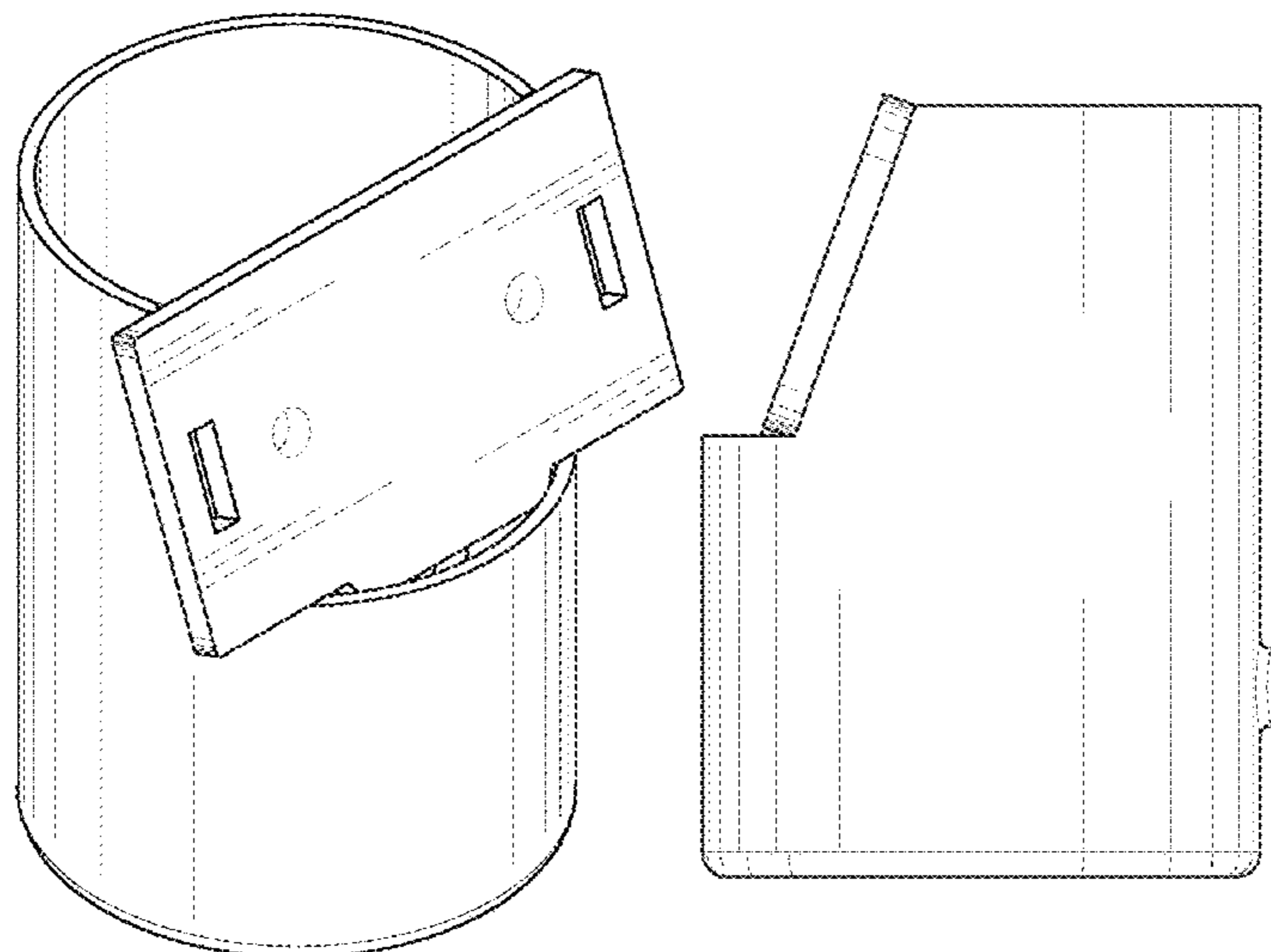
The ornamental design for a holder for payment terminal, as shown and described.

DESCRIPTION

1.1 is a front perspective view of the holder for payment terminal showing my new design;
1.2 is a front elevation view thereof;
1.3 is a rear elevation view thereof;
1.4 is a left side elevation view thereof;
1.5 is a right side elevation view thereof;
1.6 is a top plan view thereof; and,
1.7 is a bottom plan view thereof.

The broken lines shown are included for the purpose of illustrating portions of the holder for payment terminal that form no part of the claim.

1 Claim, 7 Drawing Sheets



(56)

References Cited

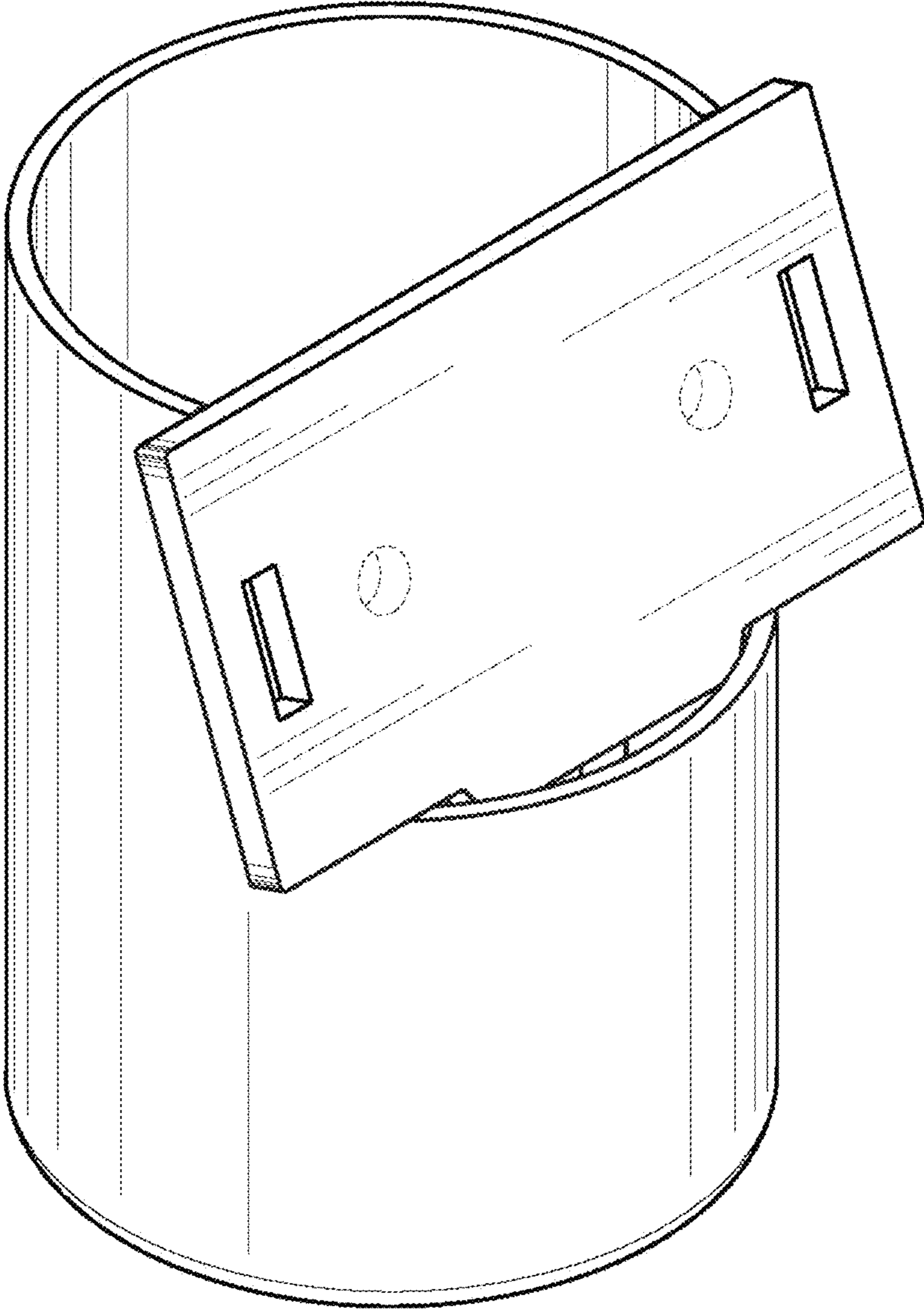
U.S. PATENT DOCUMENTS

D780,186 S	2/2017	Lee	
D804,483 S	12/2017	Minoli	
D828,746 S	9/2018	Barnes et al.	
D876,316 S	2/2020	Peters et al.	
D879,793 S	3/2020	Glickstein et al.	
D913,773 S	3/2021	Gaspar et al.	
D920,770 S	6/2021	Myerson	
D921,560 S	6/2021	Brunkhurst	
D924,317 S *	7/2021	Laza	D18/4.4
D936,458 S	11/2021	Wu	
D941,763 S *	1/2022	Pena	H04M 1/04 D14/434
D942,440 S *	2/2022	Chapuis	D14/447
11,241,088 B2 *	2/2022	Taylor	A47B 23/043
2022/0014613 A1 *	1/2022	Cobb, Jr.	H04M 1/04

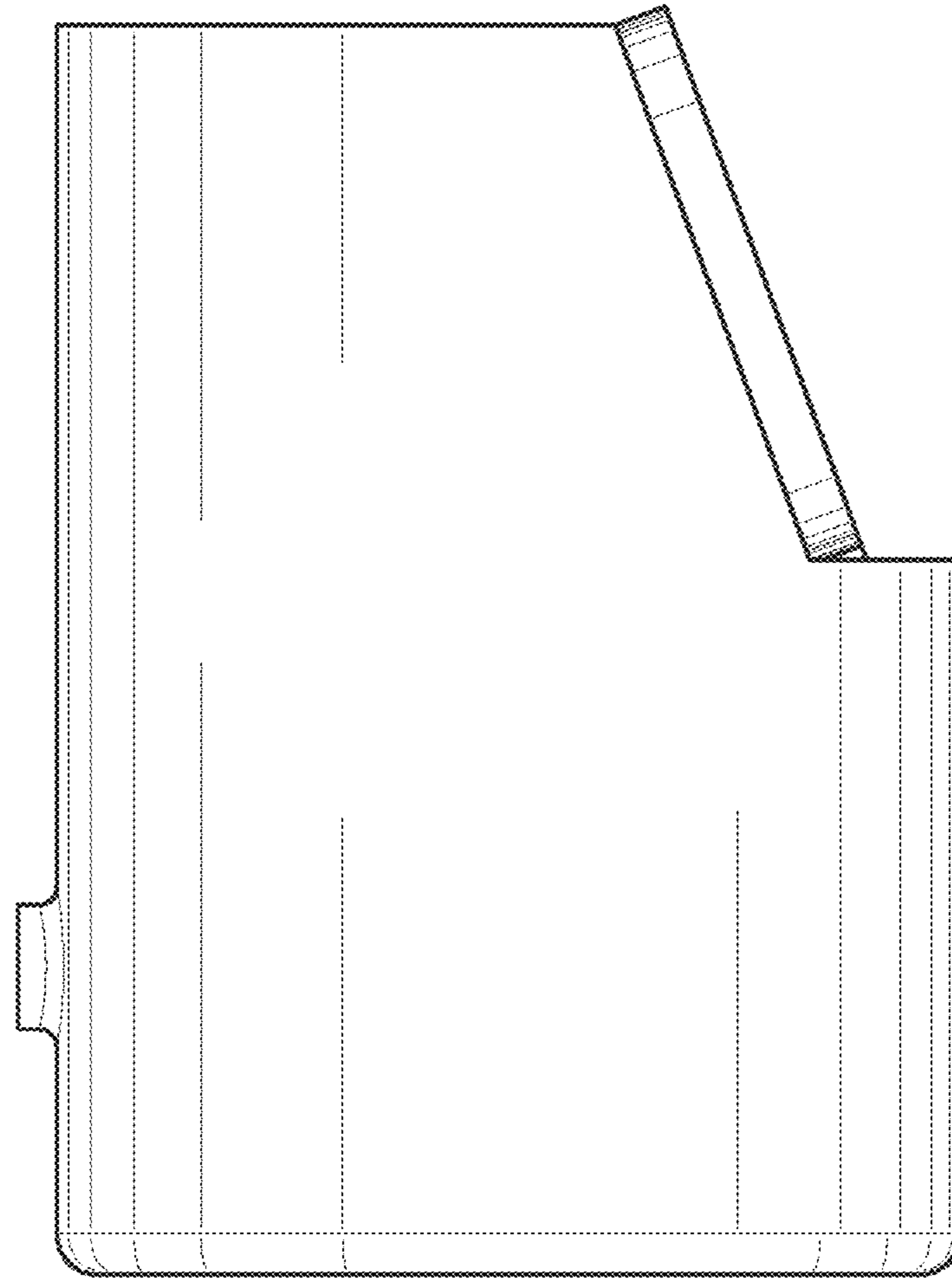
OTHER PUBLICATIONS

U.S. Appl. No. 35/510,942, filed Nov. 19, 2020, Jensen.
 U.S. Appl. No. 35/510,948, filed Nov. 19, 2020, Jensen.
 U.S. Appl. No. 35/510,928, filed Nov. 20, 2020, Jensen.
 Official Action for U.S. Appl. No. 35/510,908, dated Jan. 5, 2022,
 10 pages.
 Official Action for U.S. Appl. No. 35/510,942, dated Jan. 5, 2022,
 11 pages.
 Official Action for U.S. Appl. No. 35/510,948, dated Jan. 5, 2022,
 11 pages.
 Official Action for U.S. Appl. No. 35/510,928, dated Jan. 6, 2022,
 11 pages.

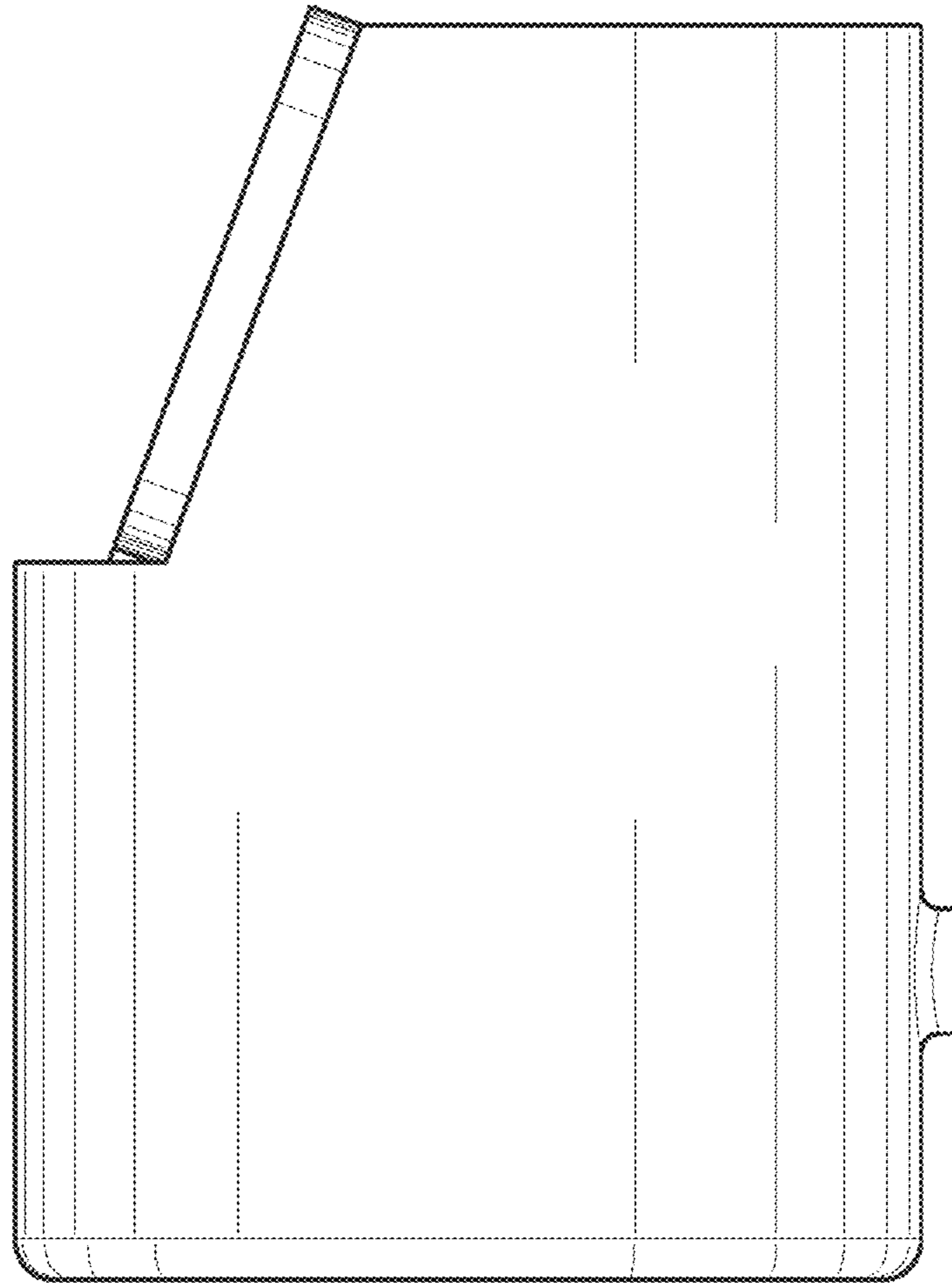
* cited by examiner



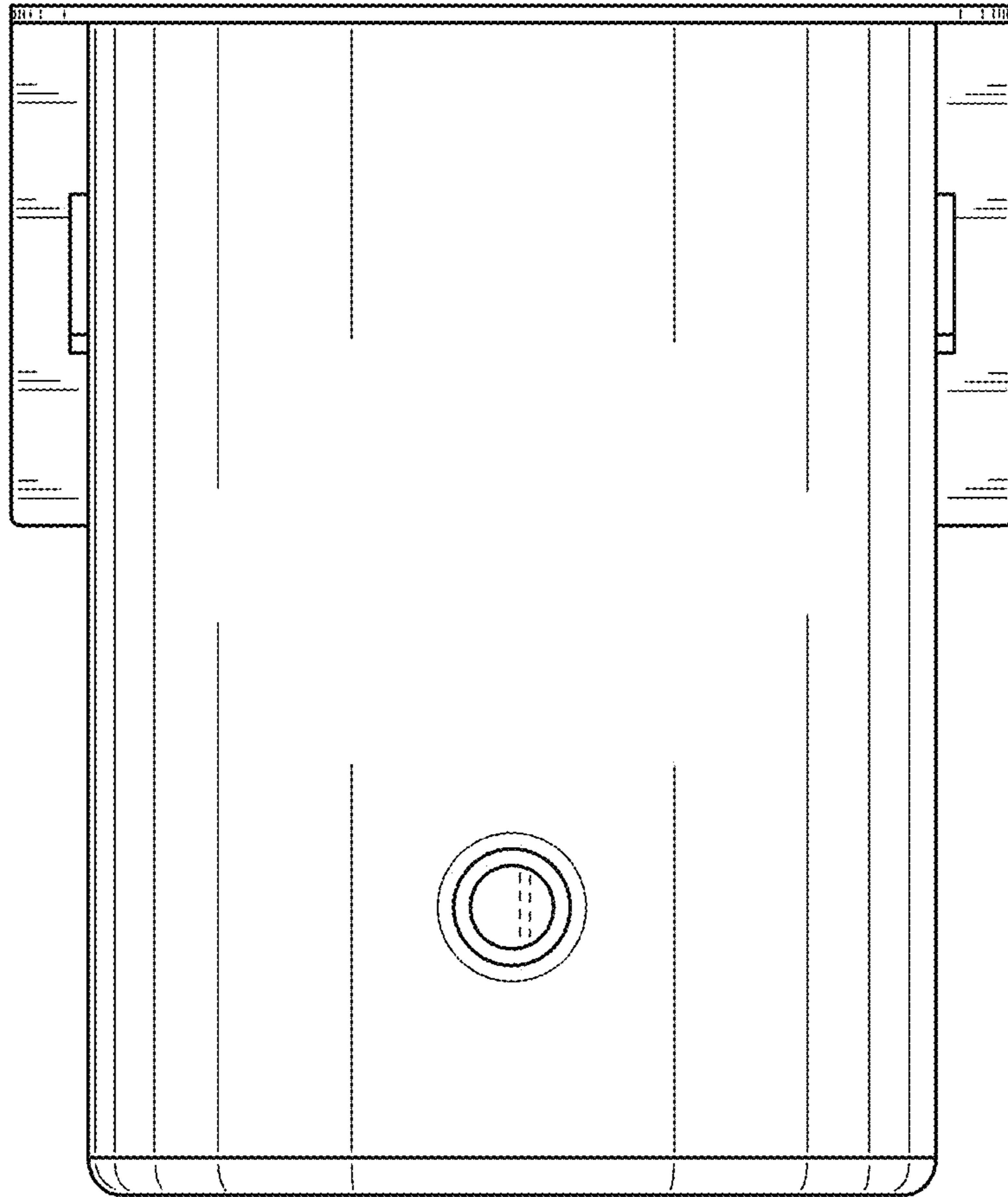
1.1



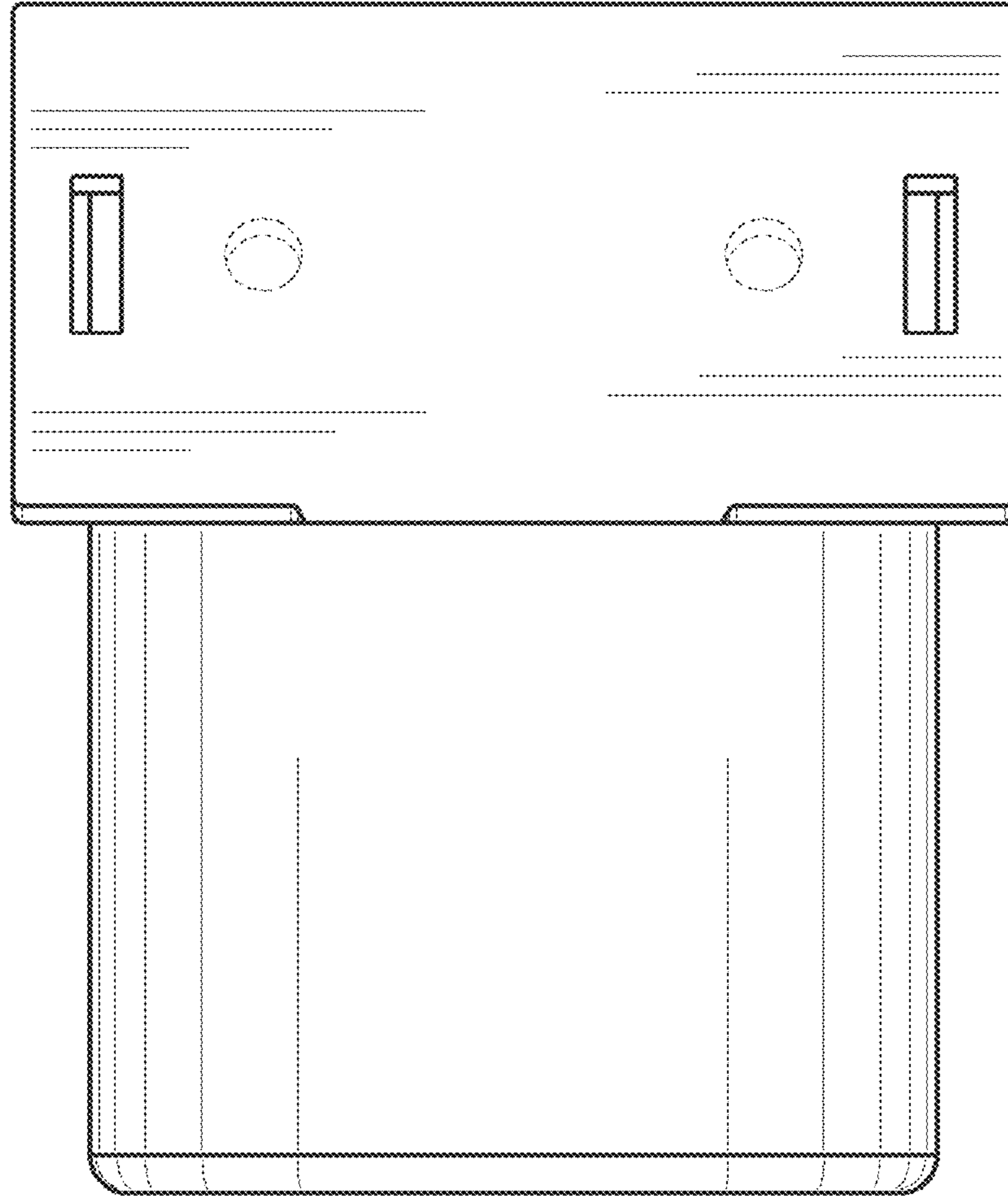
1.2



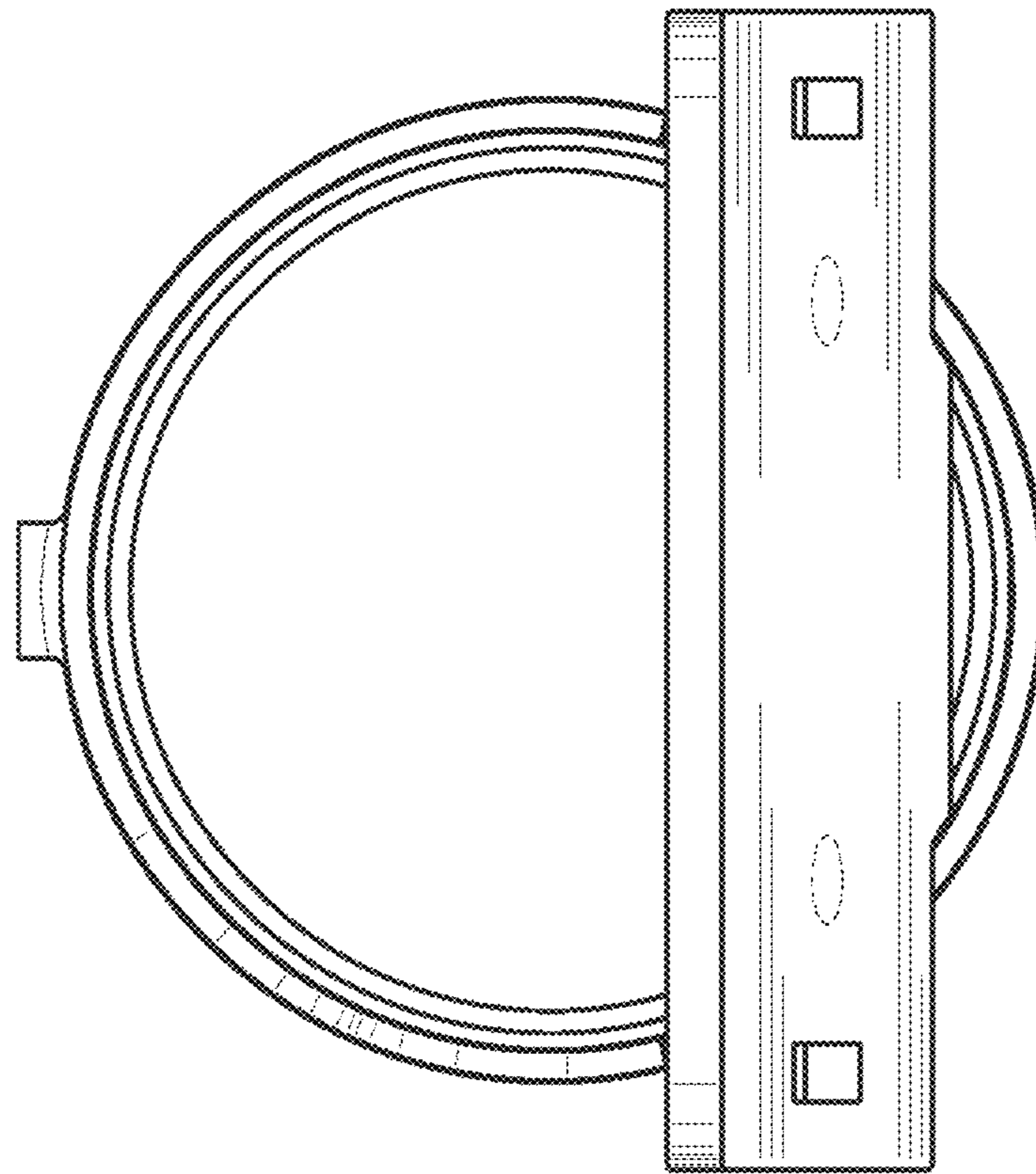
1.3



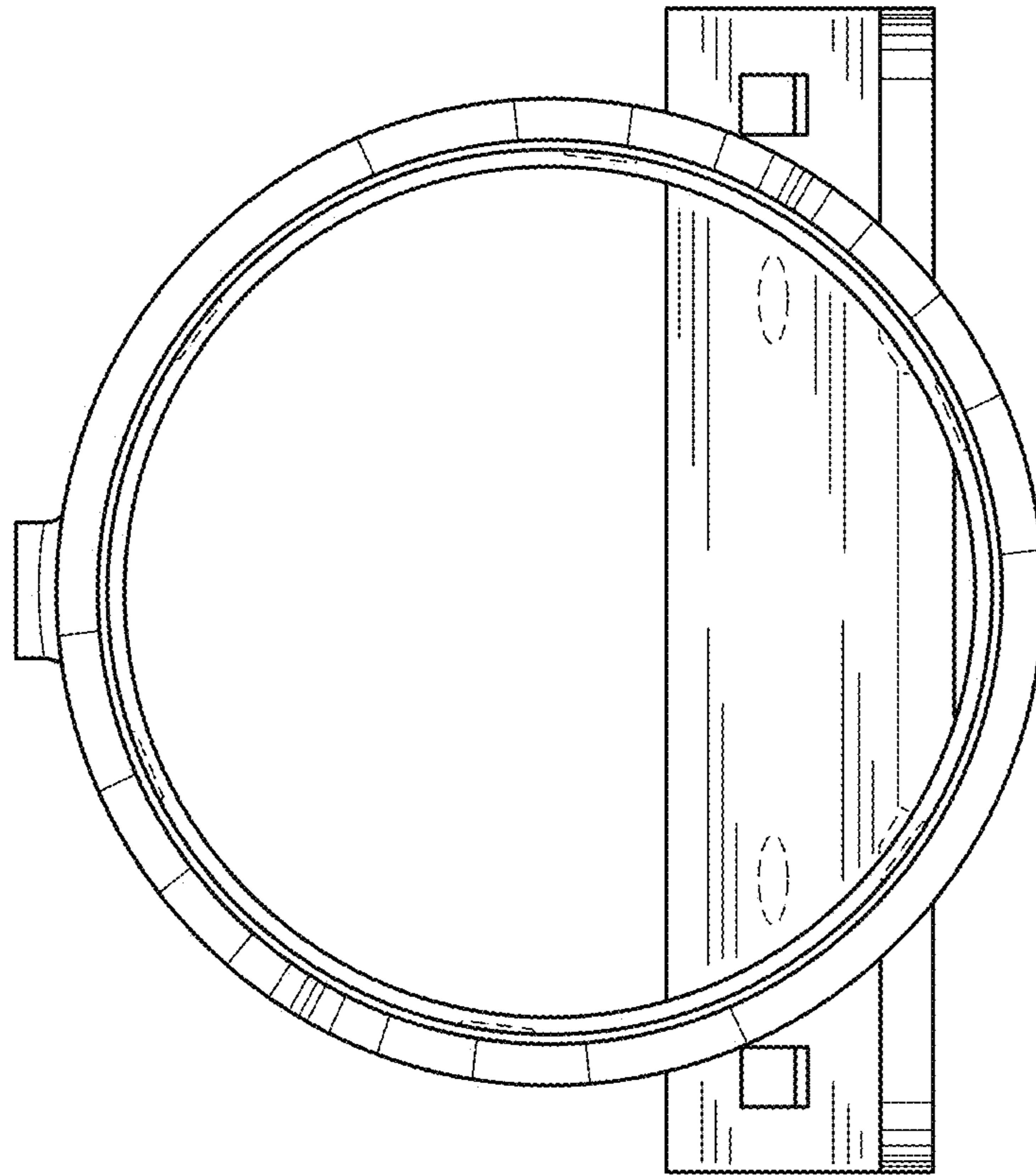
1.4



1.5



1.6



1.7