



US00D956855S

(12) **United States Design Patent** (10) **Patent No.:** **US D956,855 S**
Deng et al. (45) **Date of Patent:** **** Jul. 5, 2022**

(54) **ONE AXIS HANDHELD GIMBAL**

FOREIGN PATENT DOCUMENTS

(71) Applicants: **Ningbo Deng**, Shenzhen (CN);
Shenghui Liao, Shenzhen (CN)

CN 304919923 * 11/2018
CN 305155060 * 5/2019

(Continued)

(72) Inventors: **Ningbo Deng**, Shenzhen (CN);
Shenghui Liao, Shenzhen (CN)

OTHER PUBLICATIONS

(**) Term: **15 Years**

Wensot Gimbal Stabilizer, product available Apr. 21, 2021 [online],
video review Jul. 21, 2021 [online], [site visited Feb. 1,
2022]:URL:<https://www.amazon.com/gp/product/B0933GK41S/ref=sw_img_1?smid=AG1CUPT59ZDTB&psc=1> (Year: 2021).*

(21) Appl. No.: **29/743,778**

(Continued)

(22) Filed: **Jul. 24, 2020**

(51) **LOC (13) Cl.** **16-05**

(52) **U.S. Cl.**

USPC **D16/243**

Primary Examiner — Sanjeev Paul

Assistant Examiner — Loryn Korrine Leblanc

(58) **Field of Classification Search**

USPC D8/300, 303, 306, 307, 321, 323, 324,
D8/325, 349, 363, 373, 394; D14/313,
D14/316, 317, 324, 341, 372, 375, 376,
D14/377, 432, 203.3, 203.5, 482, 224,
D14/217, 229, 250, 251, 345, 253;
D16/206, 211, 214, 234, 235, 236, 239,
D16/242, 243, 244, 245, 250, 237, 136,
D16/240, 203.8, 194, 195, 208, 219;
D21/329, 330, 331, 333, 385, 514

CPC F16M 11/00; F16M 11/06; F16M 11/08;
F16M 11/10; F16M 11/14; F16M 11/18;
F16M 11/20; F16M 11/041; F16M
11/105; F16M 11/2007; F16M 11/2014;
F16M 11/2021; F16M 11/2028; F16M
11/2035; F16M 13/00; F16M 13/005;
F16M 13/02; F16M 13/04; F16M 13/06;
F16M 2200/00; F16M 2200/04; F16M
2200/08; F16M 2200/041; F16M
2200/042; F16M 2200/044; F16M
2200/045; F16M

(Continued)

(57) **CLAIM**

The ornamental design for a one axis handheld gimbal, as
shown and described.

DESCRIPTION

FIG. 1 is a perspective view of a one axis handheld gimbal
showing our new design;
FIG. 2 is another perspective view thereof;
FIG. 3 is a front elevational view thereof;
FIG. 4 is a rear elevational view thereof;
FIG. 5 is a left side elevational view thereof;
FIG. 6 is a right side elevational view thereof;
FIG. 7 is a top plan view thereof;
FIG. 8 is a bottom plan view thereof; and,
FIG. 9 is a perspective view of the one axis handheld gimbal
where the one axis handheld gimbal is in a folded state.
The broken lines in the drawings depict portions of the one
axis handheld gimbal that form no part of the claimed
design.

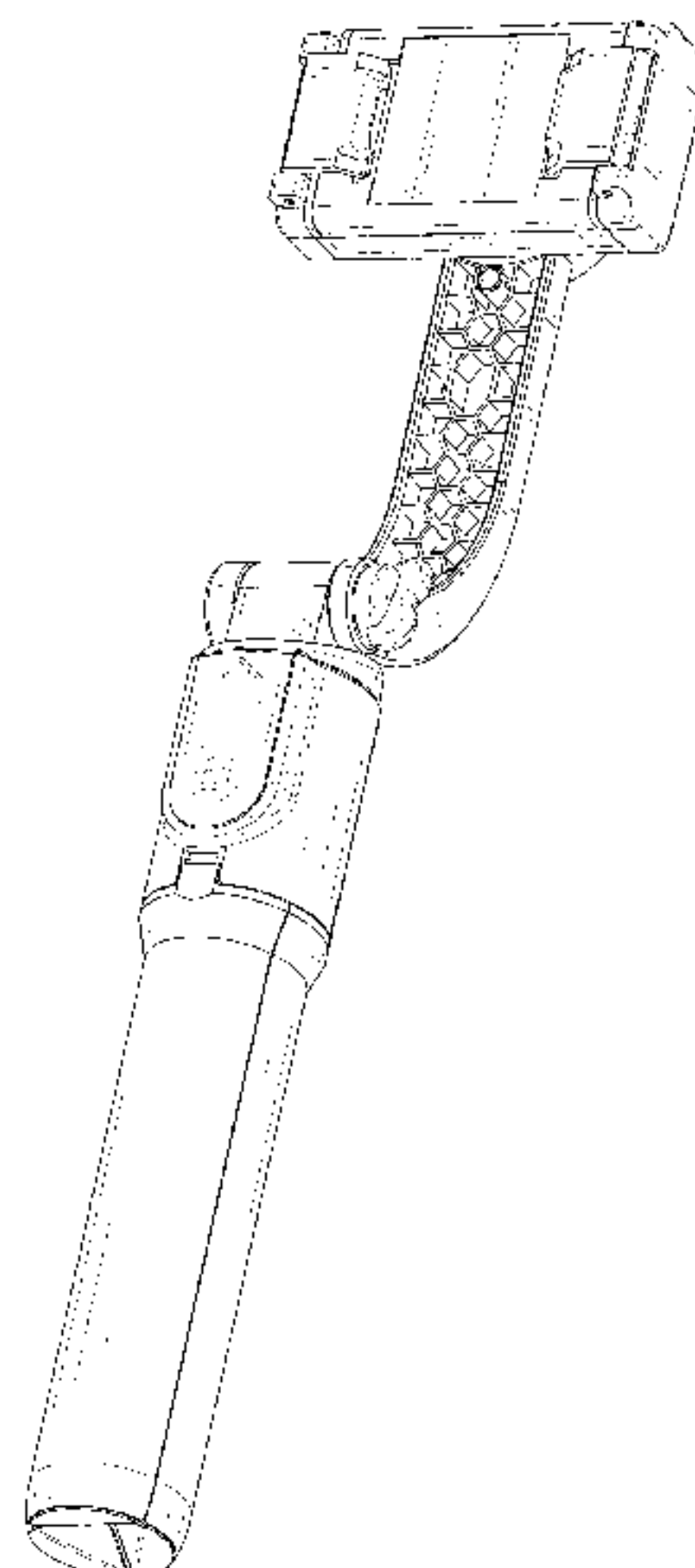
(56) **References Cited**

U.S. PATENT DOCUMENTS

D799,465 S * 10/2017 Sukphist D14/253
D823,846 S * 7/2018 Chen D14/251

(Continued)

1 Claim, 9 Drawing Sheets



- (58) **Field of Classification Search**
 CPC 2200/047; F16M 2200/048; G01C 21/18;
 G03B 17/561; G03B 17/563
 See application file for complete search history.

(56) **References Cited**

U.S. PATENT DOCUMENTS

D824,882	S	*	8/2018	Zheng	D14/217
D841,641	S	*	2/2019	Huang	D16/242
D882,672	S	*	4/2020	Xia	D16/243
D883,369	S	*	5/2020	Xia	D16/243
D897,314	S	*	9/2020	Ding	D14/217
D900,200	S	*	10/2020	Shan	D16/237
D907,687	S	*	1/2021	Fang	D16/244
D909,455	S	*	2/2021	Shan	D16/244
D915,493	S	*	4/2021	Li	D16/243
D918,286	S	*	5/2021	Lin	D16/244
D921,096	S	*	6/2021	Chen	D16/244
11,044,353	B1	*	6/2021	Goldburt	G06F 1/1686
2017/0192341	A1	*	7/2017	Casarez	G03B 17/563
2018/0212211	A1	*	7/2018	Liang	G03B 17/563
2021/0131609	A1	*	5/2021	Zhao	F16M 13/04
2021/0270409	A1	*	9/2021	Shan	F16M 11/28

FOREIGN PATENT DOCUMENTS

CN	305603673	*	2/2020
CN	305844008	*	6/2020
CN	306168867	*	11/2020
CN	306551518	*	5/2021
CN	306613081	*	6/2021
CN	306761811	*	8/2021
CN	306973300	*	11/2021
EM	008053375-0001	*	8/2020

OTHER PUBLICATIONS

Goxtreme GS1 1-Axis Smartphone Gimbal / Tripod, product availability date unknown [online], no pictured/video review [online],

[site visited Feb. 1, 2022];URL:<<https://www.mytrendyphone.eu/shop/goxtreme-gs1-1-axis-smartphone-gimbal-tripod-274537p.html>> (Year: 2022).*

Zhiyun Smooth X Gimbal Stabilizer, product available Apr. 21, 2021 [online], video review Jul. 21, 2021 [online], [site visited Feb. 1, 2022]; URL:<https://www.amazon.com/gp/product/B087X5FL5C/ref=sw_img_1?smid=A38IYSRVW2SKV9&th=1> (Year: 2021).*

Gimbal Stabilizer for Smartphone with Extendable Bluetooth Selfie Stick and Tripod, product available Feb. 1, 2020 [online], pictured review Nov. 28, 2020 [online], [site visited Feb. 1, 2022];URL:<https://www.amazon.com/gp/product/B08LV7YLV7/ref=sw_img_1?smid=A2Z5VVIG0MY0C6&th=1> (Year: 2020).*

Artoful Gimbal Stabilizer for Smartphone, product available Aug. 31, 2020 [online], pictured review Sep. 26, 2020 [online], [site visited Feb. 1, 2022];URL:<https://www.amazon.com/gp/product/B08H1NLT54/ref=sw_img_1?smid=A3JKGTTTC8N5VL4&pssc=1> (Year: 2020).*

Gimbal Stabilizer For Smartphone, Apexel, product available Apr. 13, 2020 [online], pictured review Dec. 29, 2020 [online], [site visited Feb. 1, 2022];URL:<https://www.amazon.com/gp/product/B086ZRLJ92/ref=sw_img_1?smid=A2P25D3UDURDTG&pssc=1> (Year: 2020).*

Momax Selfie Stable 2 Smartphone Gimbal with Tripod, product availability date unknown [online], no pictured/video review [online], [site visited Feb. 1, 2022];URL:<<https://www.amazon.ae/Smartphone-Extendable-Stabilizer-Bluetooth-KM15D/dp/B08JTX8QC3>> (Year: 2022).*

Gimbal Stabilizer Selfie Stick—With Tripod, product availability date unknown [online], no pictured/video review [online], [site visited Feb. 1, 2022];URL:<<https://silvergear.eu/en/photo-and-video/gimbal-stabilizer-selfie-stick-with-tripod/>> (Year: 2022).*

LiNKFOR Gimbal Stabilizer for Smartphone, product available Jul. 1, 2021 [online], no pictured / video review [online], [site visited Feb. 9, 2022];URL:<https://www.amazon.com/gp/product/B0989Y6YY9/ref=ox_sc_act_title_1?smid=A3L7V9W8XQXLVF&pssc=1> (Year: 2021).*

* cited by examiner

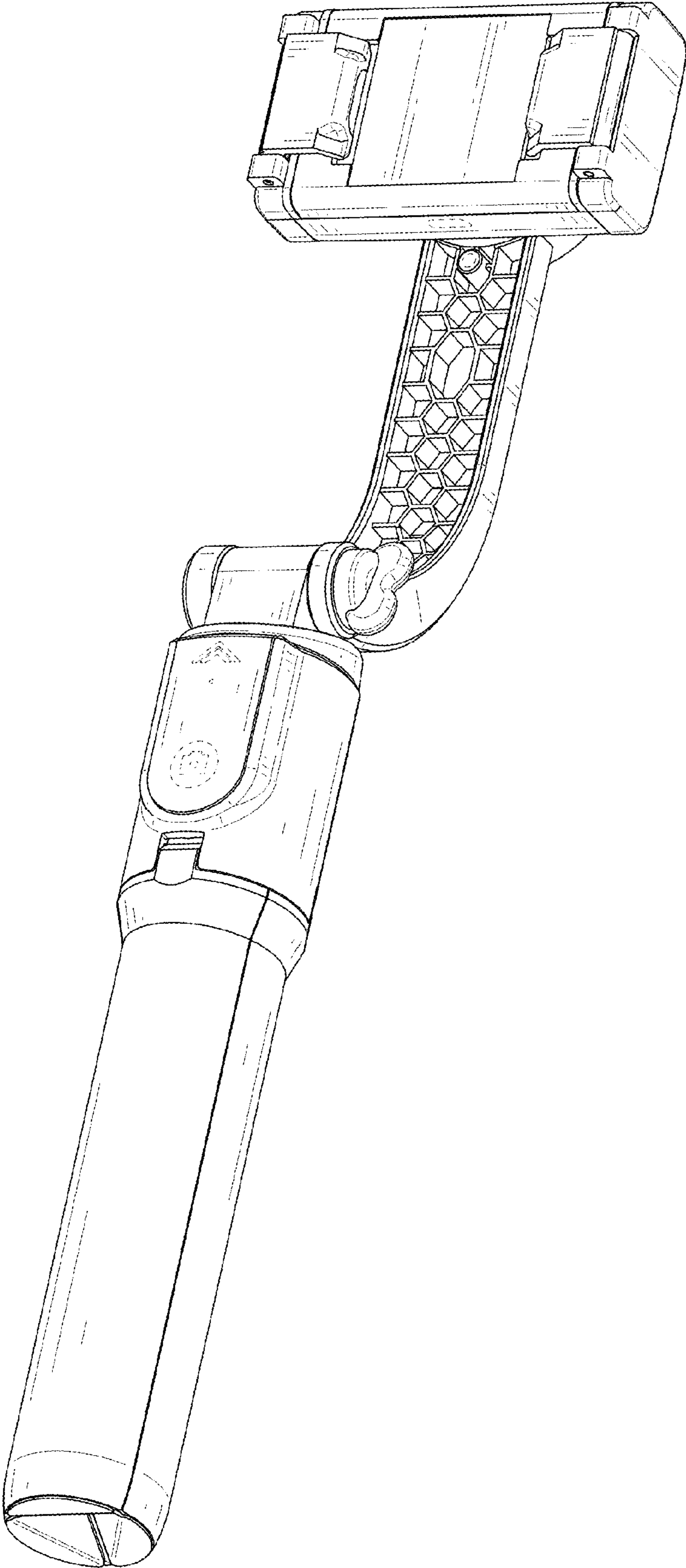


FIG. 1

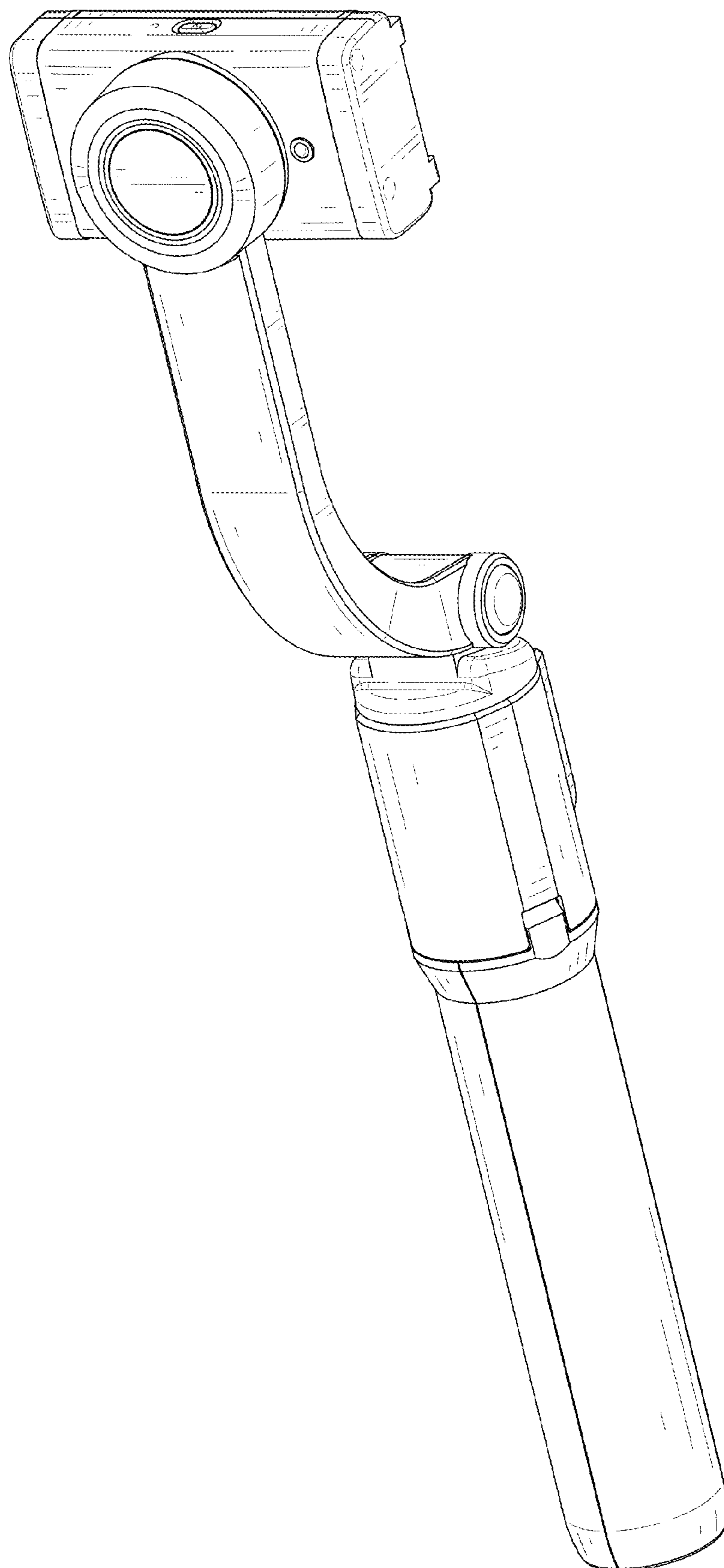


FIG. 2

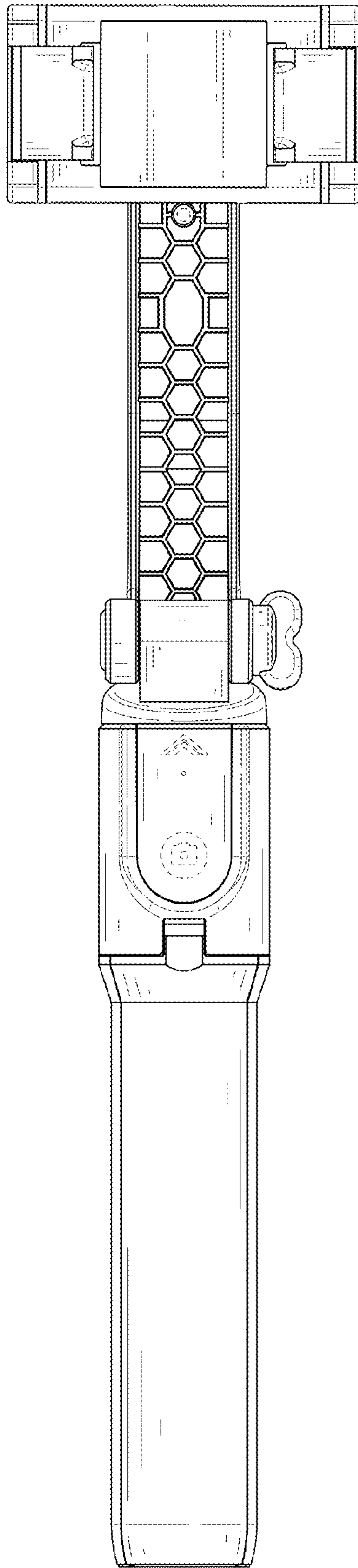


FIG. 3

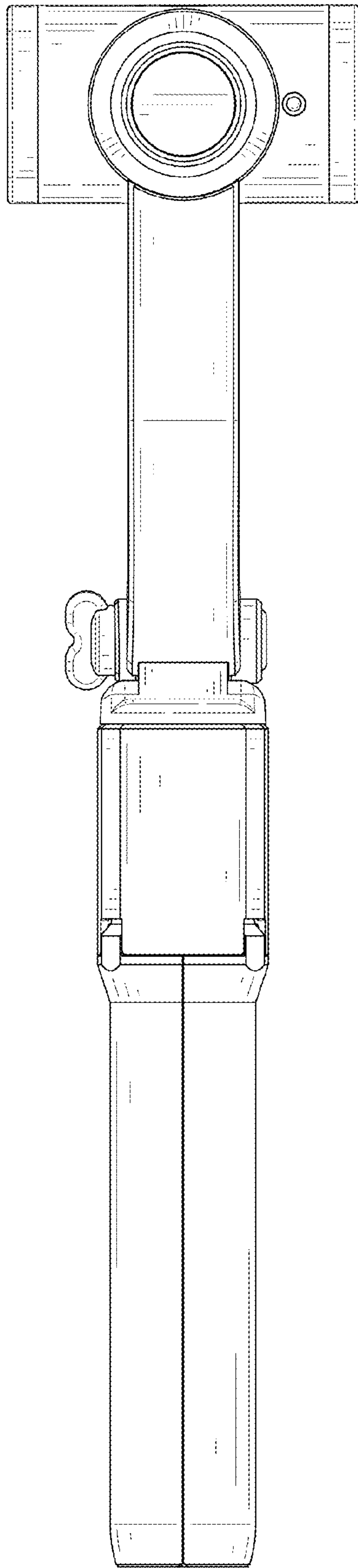


FIG. 4

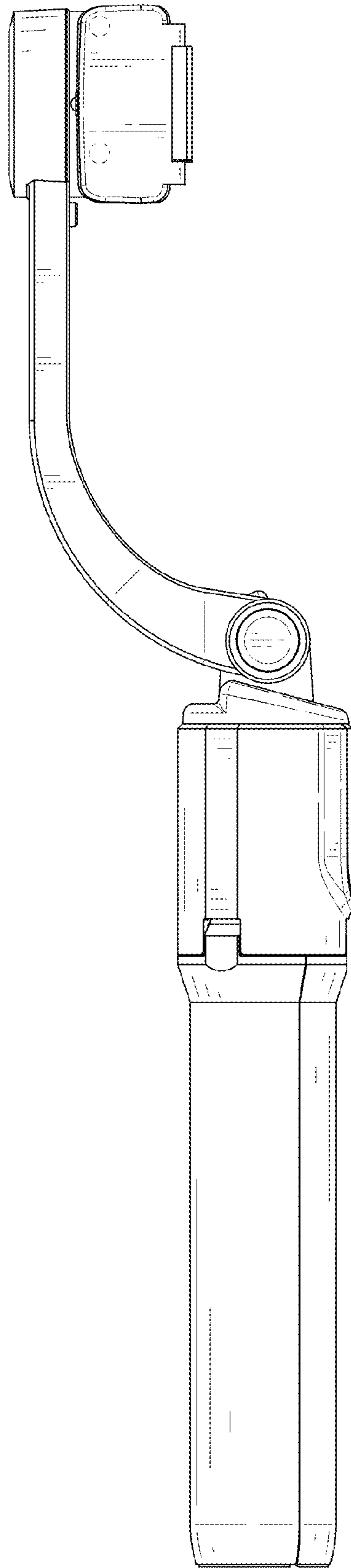


FIG. 5

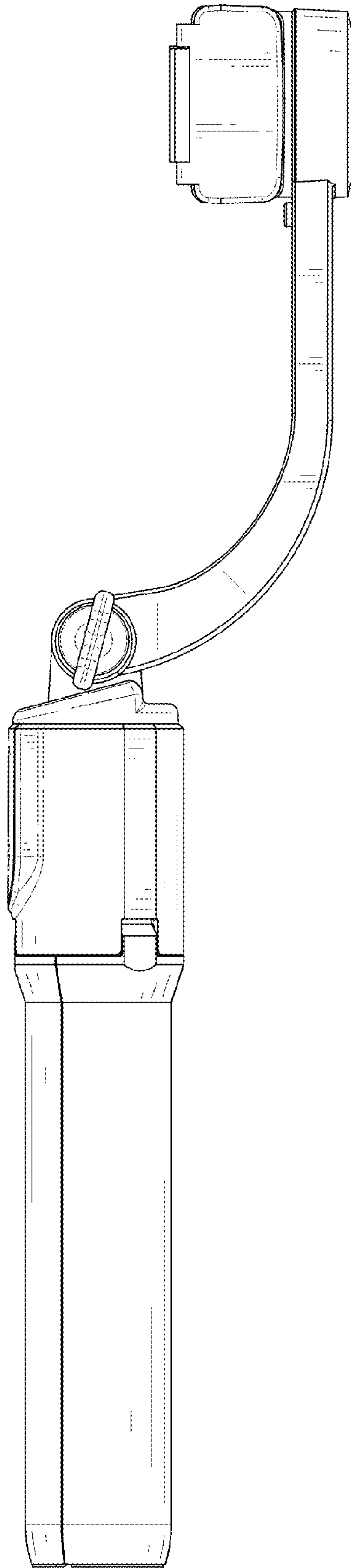


FIG. 6

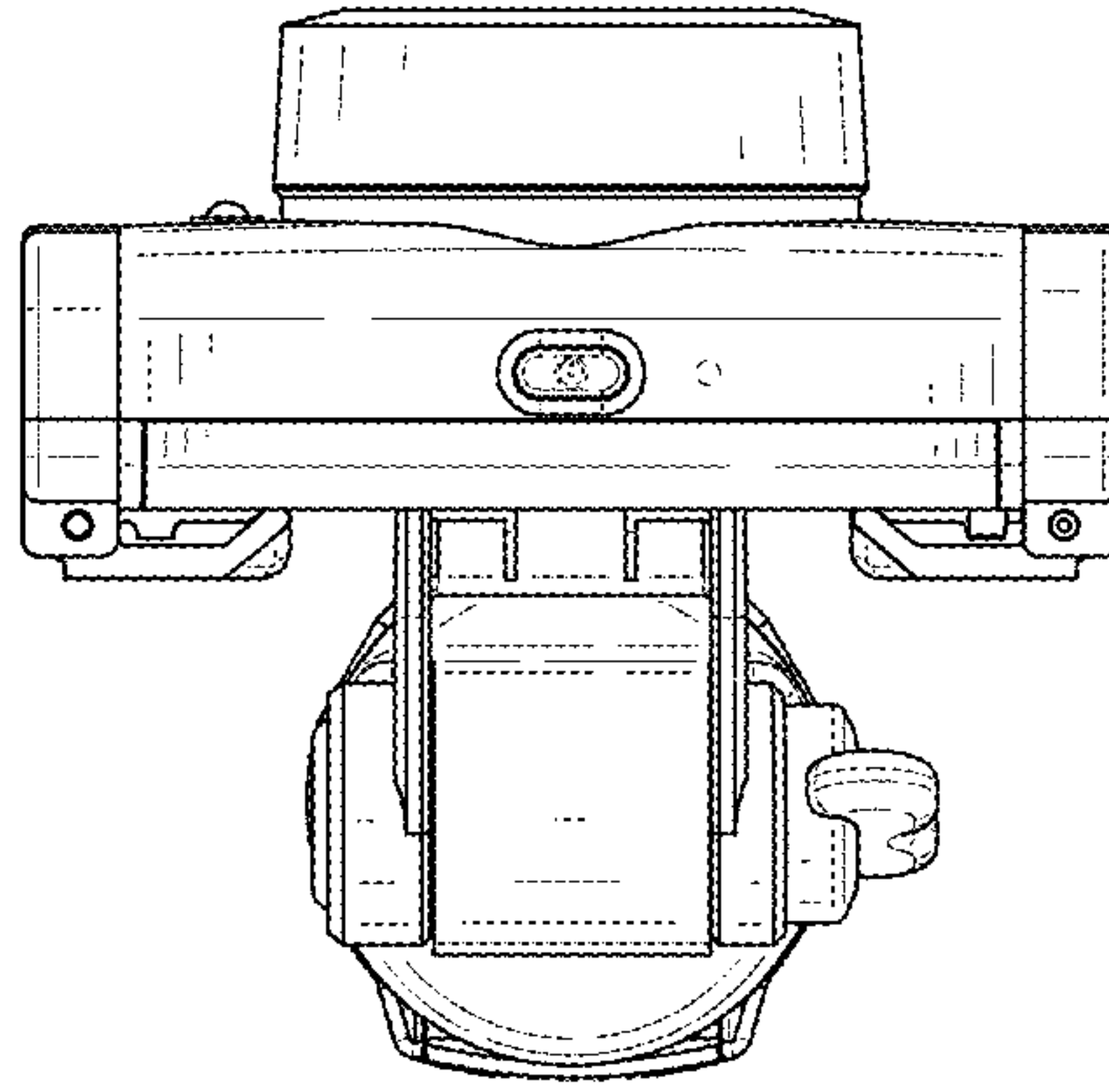


FIG. 7

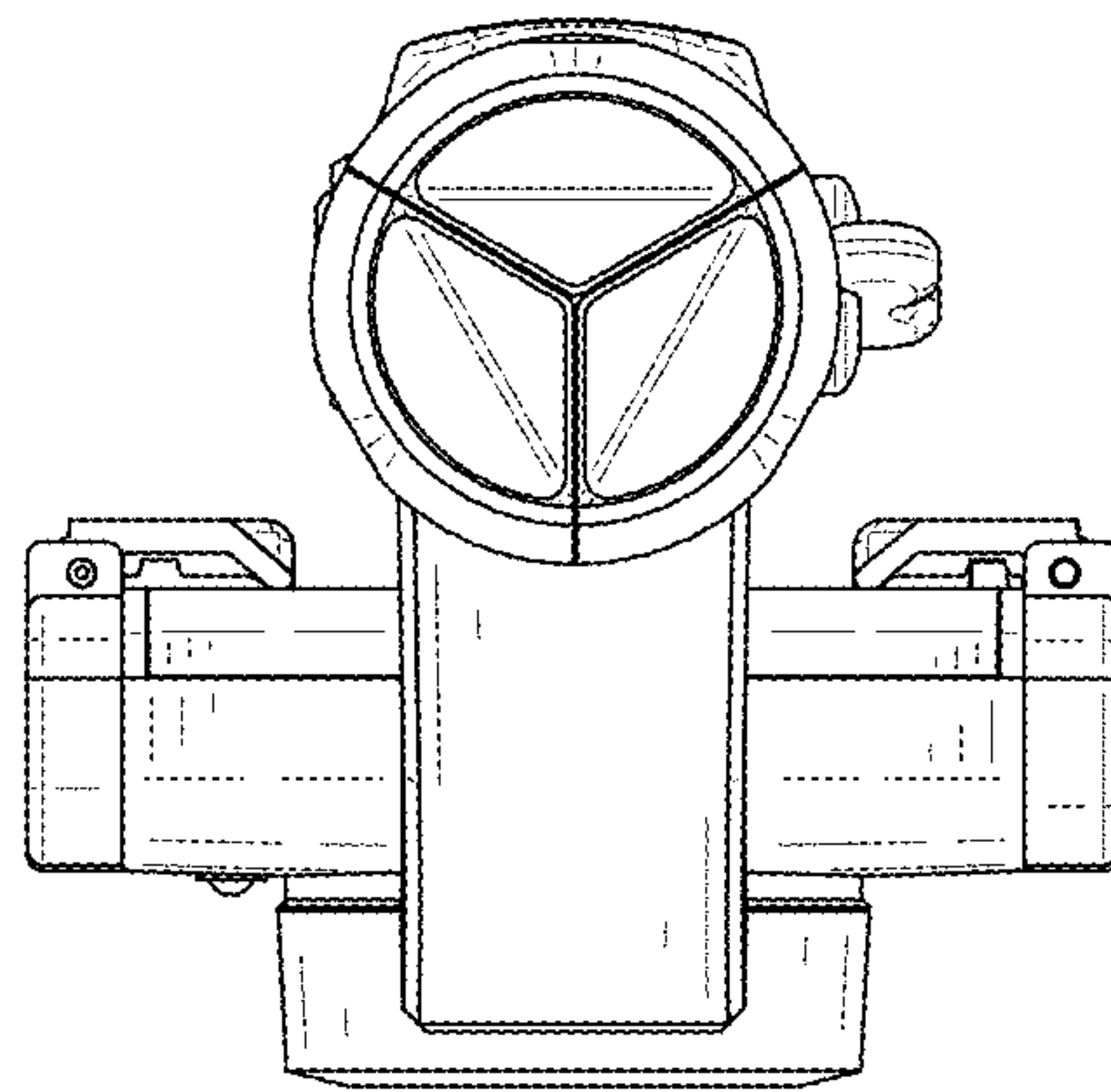


FIG. 8

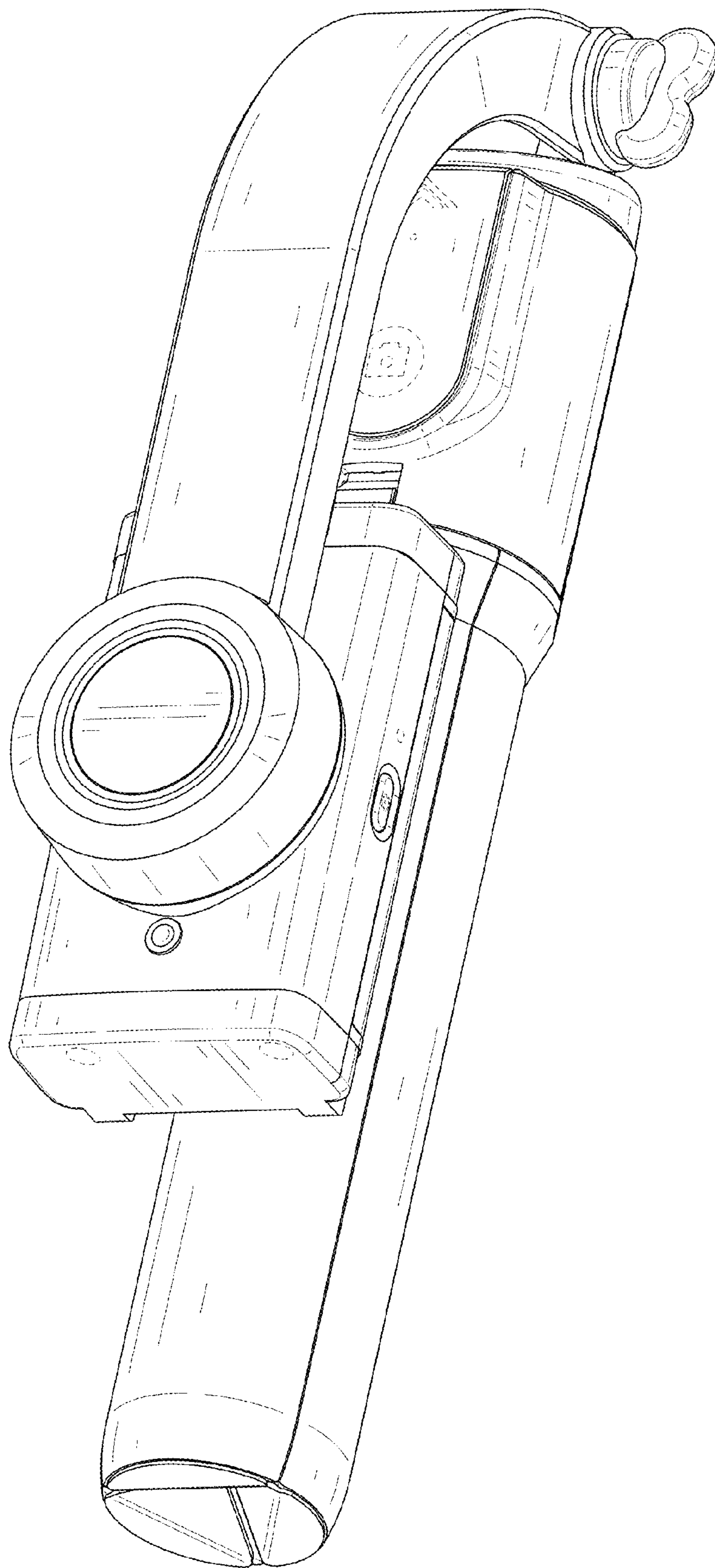


FIG. 9