



US00D956854S

(12) **United States Design Patent**  
**Postolek**

(10) **Patent No.:** **US D956,854 S**  
(45) **Date of Patent:** **\*\* Jul. 5, 2022**

(54) **DISPLAY VIEWER FOR CAMERA**

**DESCRIPTION**

- (71) Applicant: **Filip Postolek**, Signal Hill, CA (US)
- (72) Inventor: **Filip Postolek**, Signal Hill, CA (US)
- (\*\*) Term: **15 Years**
- (21) Appl. No.: **29/695,933**
- (22) Filed: **Jun. 24, 2019**
- (51) **LOC (13) Cl.** ..... **16-05**
- (52) **U.S. Cl.**  
USPC ..... **D16/237**
- (58) **Field of Classification Search**  
USPC ..... D16/208–209, 219, 237–250; D8/354,  
D8/355, 363, 373, 382–383, 394–396;  
(Continued)

FIG. 1 is a front perspective view of a display viewer for camera showing my new design consisting of separable first, second and third parts;  
 FIG. 2 is a rear perspective view of the display viewer for camera;  
 FIG. 3 is a right side view of the display viewer for camera;  
 FIG. 4 is a left side view of the display viewer for camera;  
 FIG. 5 is a front view of the display viewer for camera;  
 FIG. 6 is a rear view of the display viewer for camera;  
 FIG. 7 is a top view of the display viewer for camera;  
 FIG. 8 is a bottom view of the display viewer for camera;  
 FIG. 9 is a rear perspective view of a first part of the display viewer for camera of FIG. 1, shown separately to reveal aspects of the design that may not be visible in other views;  
 FIG. 10 is a right side view of a first part of the display viewer for camera;  
 FIG. 11 is a left side view of a first part of the display viewer for camera;  
 FIG. 12 is a front view of a first part of the display viewer for camera;  
 FIG. 13 is a rear view of a first part of the display viewer for camera;  
 FIG. 14 is a top view of a first part of the display viewer for camera;  
 FIG. 15 is a bottom view of a first part of the display viewer for camera;  
 FIG. 16 is a rear perspective view of a second part of the display viewer for camera of FIG. 1, shown separately to reveal aspects of the design that may not be visible in other views;  
 FIG. 17 is a right side view of a second part of the display viewer for camera;  
 FIG. 18 is a left side view of a second part of the display viewer for camera;  
 FIG. 19 is a front view of a second part of the display viewer for camera;  
 FIG. 20 is a rear view of a second part of the display viewer for camera;  
 FIG. 21 is a top view of a second part of the display viewer for camera;  
 FIG. 22 is a bottom view of a second part of the display viewer for camera;

(56) **References Cited**

**U.S. PATENT DOCUMENTS**

- 7,034,877 B2 4/2006 Schmidt
  - 7,386,229 B2 6/2008 Schmidt et al.
- (Continued)

**FOREIGN PATENT DOCUMENTS**

- DE 102010025902 A1 8/2011
  - JP 2002040518 A 2/2002
- (Continued)

**OTHER PUBLICATIONS**

Hoodman HLVKIT Live View Kit for DSLR Cameras HLVKIT B&H Photo, [online] Retrieved Sep. 18, 2020 from URL: [https://www.bhphotovideo.com/c/product/1353034-REG/hoodman\\_hlvkit\\_live\\_view\\_kit\\_for.html](https://www.bhphotovideo.com/c/product/1353034-REG/hoodman_hlvkit_live_view_kit_for.html).\*

*Primary Examiner* — Vy N Koenig  
(74) *Attorney, Agent, or Firm* — Dickinson Wright PLLC;  
Andrew D. Dorisio

(57) **CLAIM**

The ornamental design for a display viewer for camera, as shown and described.

(Continued)

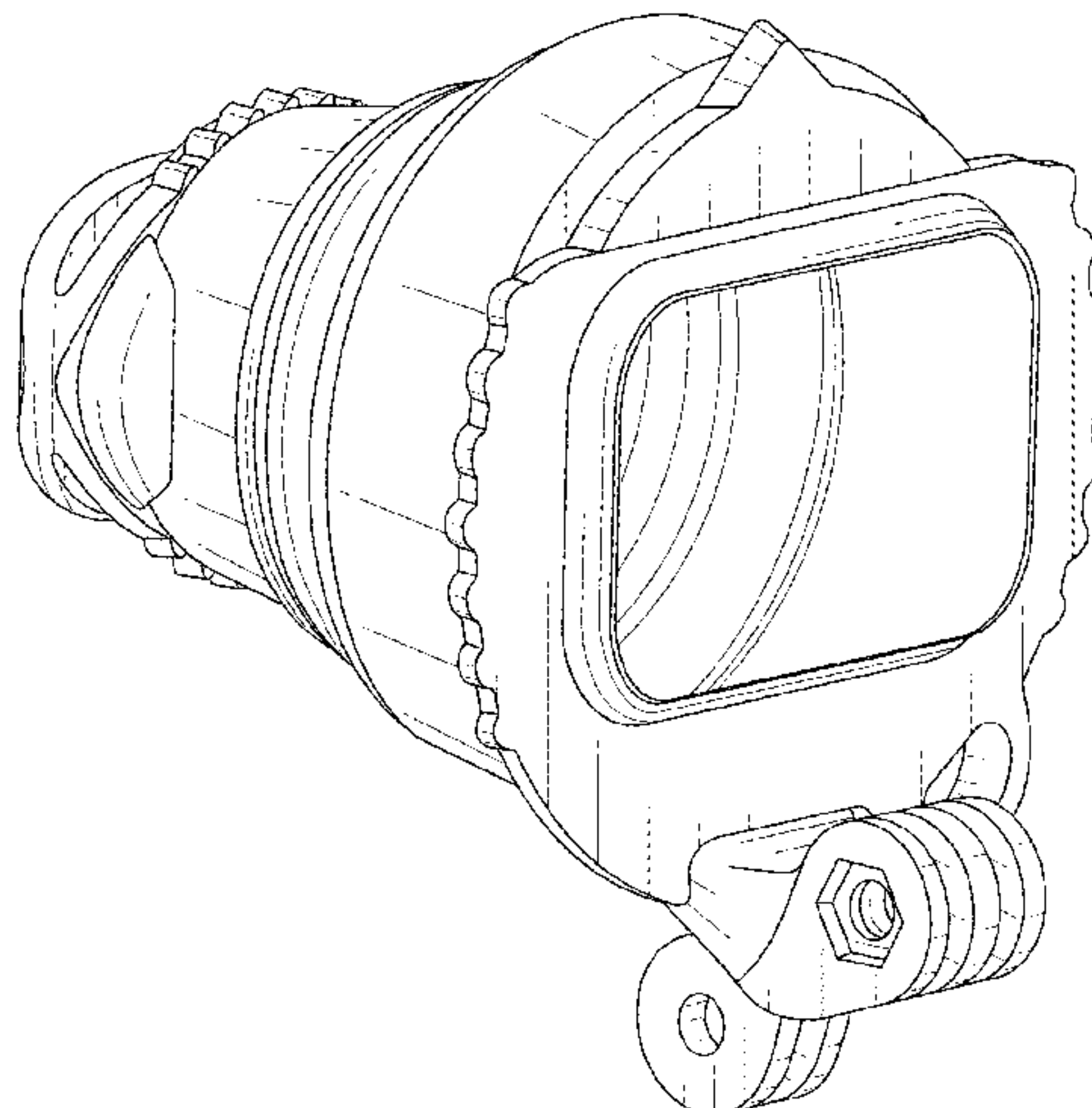


FIG. 23 is a rear perspective view of a third part of the display viewer for camera of FIG. 1, shown separately to reveal aspects of the design that may not be visible in other views;

FIG. 24 is a right side view of a third part of the display viewer for camera;

FIG. 25 is a left side view of a third part of the display viewer for camera;

FIG. 26 is a front view of a third part of the display viewer for camera;

FIG. 27 is a rear view of a third part of the display viewer for camera;

FIG. 28 is a top view of a third part of the display viewer for camera; and,

FIG. 29 is a bottom view of a third part of the display viewer for camera.

**1 Claim, 29 Drawing Sheets**

(58) **Field of Classification Search**

USPC ..... D14/224, 229, 238, 251, 253, 447, 451,  
D14/457  
CPC ..... A45F 5/00; A45F 5/10; A45F  
2200/0508-0533; F16M 11/06-10; F16M

11/14; G02B 7/00-002; G03B 17/56;  
G03B 17/561-566; H04N 5/2253-2254  
See application file for complete search history.

(56)

**References Cited**

U.S. PATENT DOCUMENTS

D597,580	S *	8/2009	Kitera .....	D16/134
8,444,214	B2	5/2013	Helferty et al.	
8,503,876	B2 *	8/2013	Schmidt .....	G02B 13/0095 396/383
8,903,236	B2 *	12/2014	Subratie .....	G03B 11/00 396/544
9,049,357	B2	6/2015	Schmidt et al.	
9,097,959	B2 *	8/2015	Fong .....	G03B 17/566
9,285,659	B2 *	3/2016	Yokoyama .....	G03B 17/566
D855,680	S *	8/2019	Ruff .....	D16/219
D869,545	S *	12/2019	Lee .....	D16/242
10,735,572	B2 *	8/2020	Nahum .....	F16M 11/08
2008/0030868	A1 *	2/2008	Schmidt .....	G03B 17/14 359/643
2013/0222668	A1 *	8/2013	Anderson .....	G03B 17/565 348/333.08

FOREIGN PATENT DOCUMENTS

JP	3093775	U	5/2003
JP	2007101887	A	4/2007
JP	2013130850	A	7/2013

\* cited by examiner

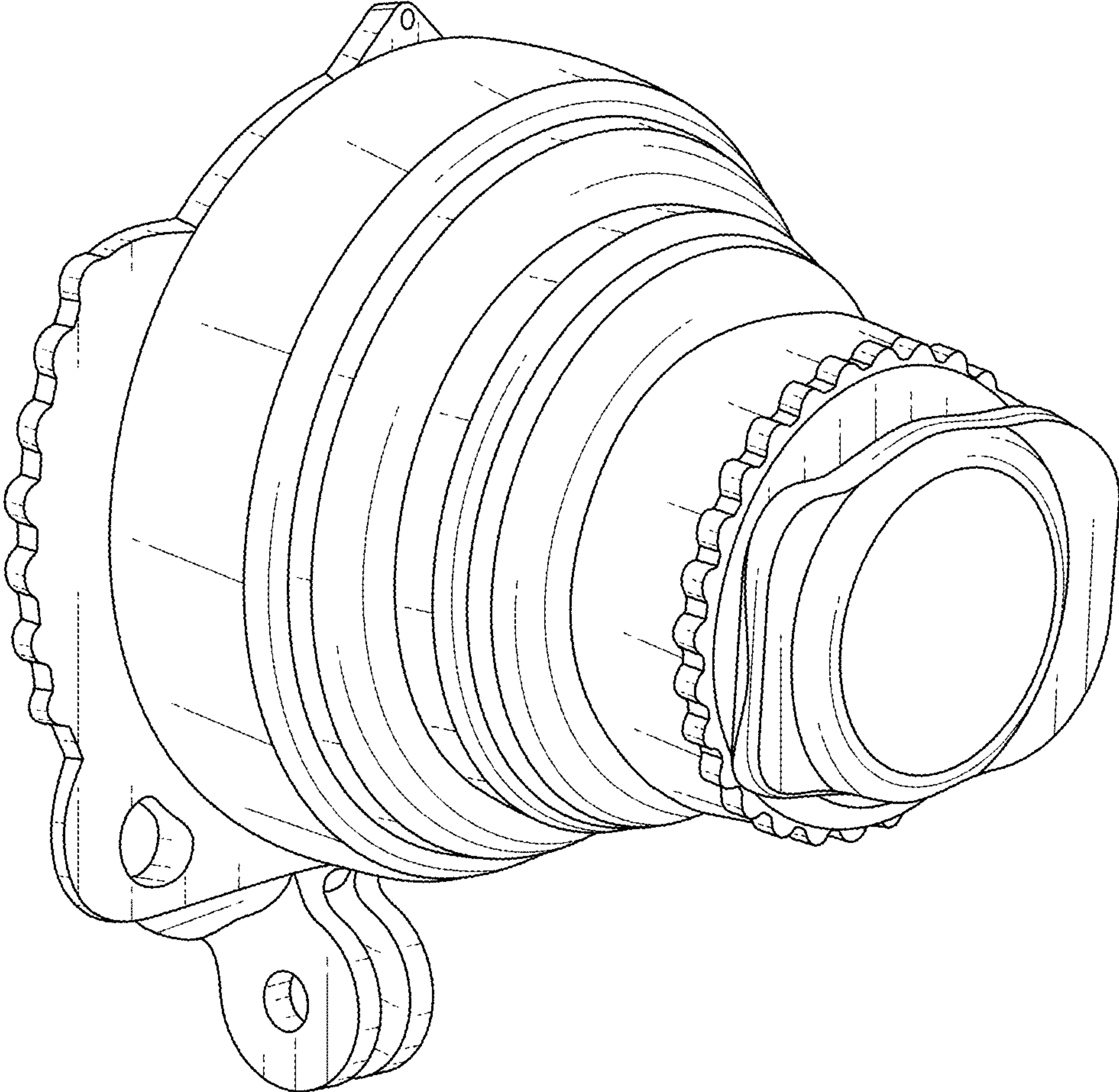


FIG. 1



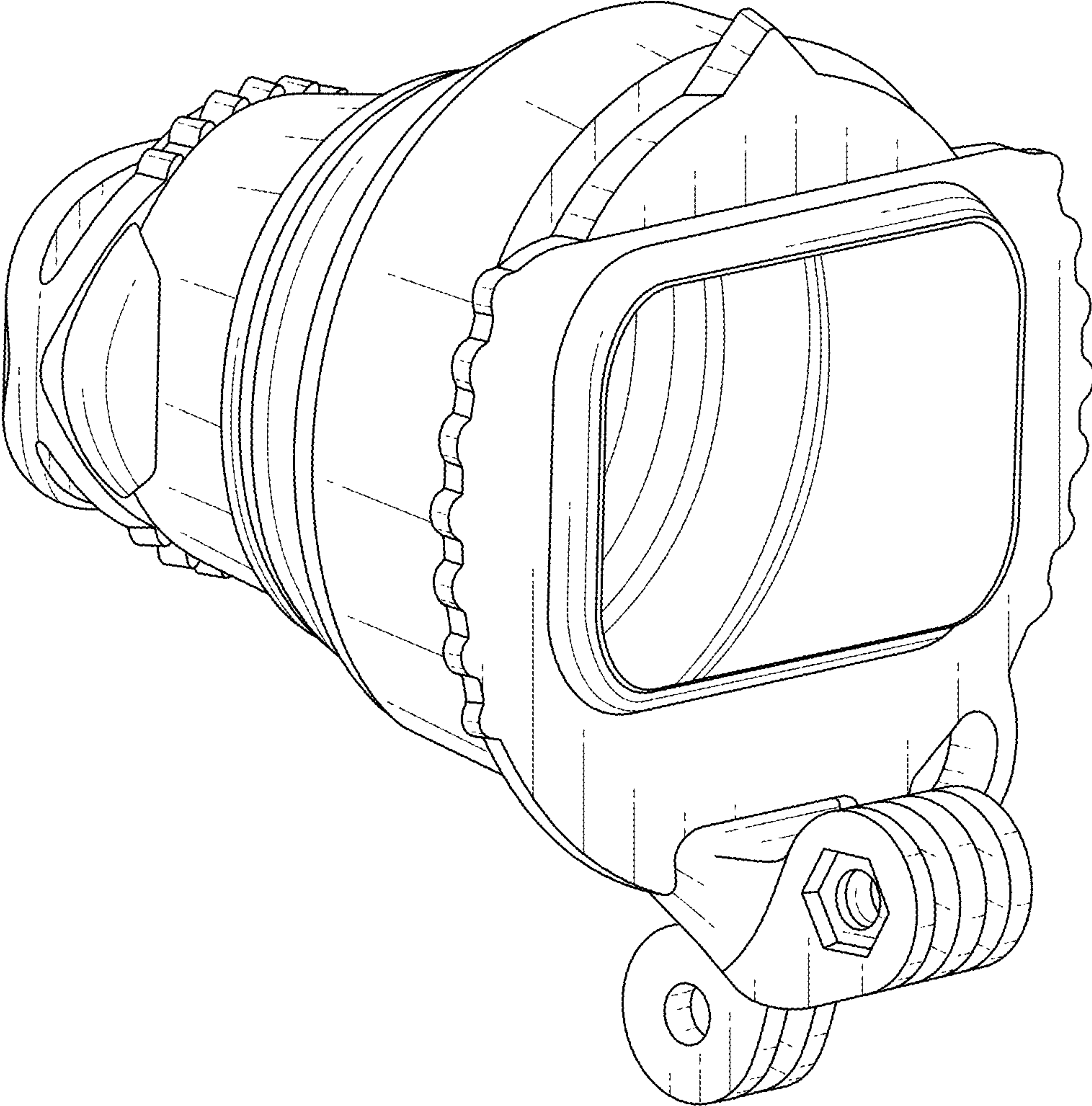


FIG. 2

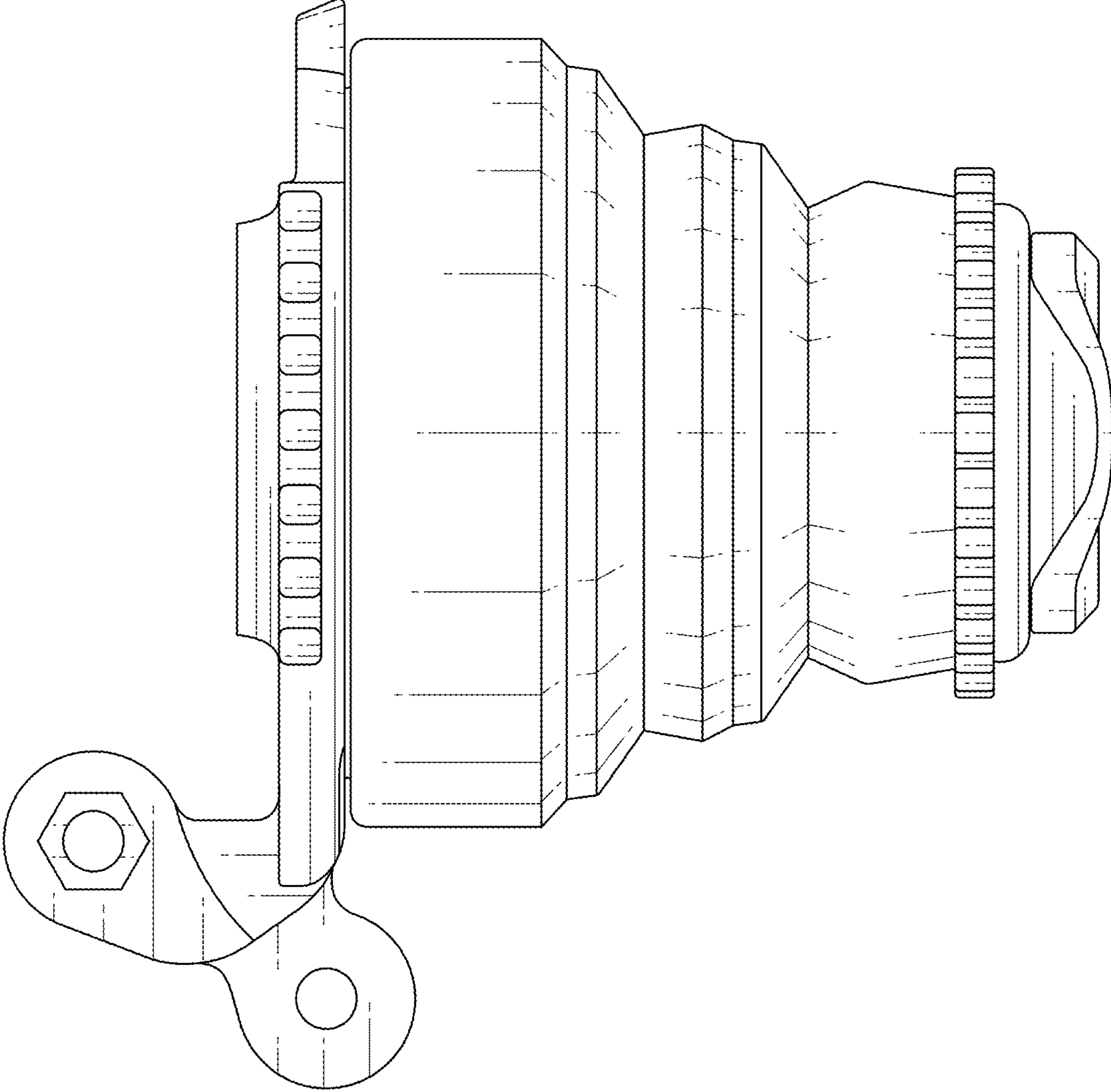


FIG. 3

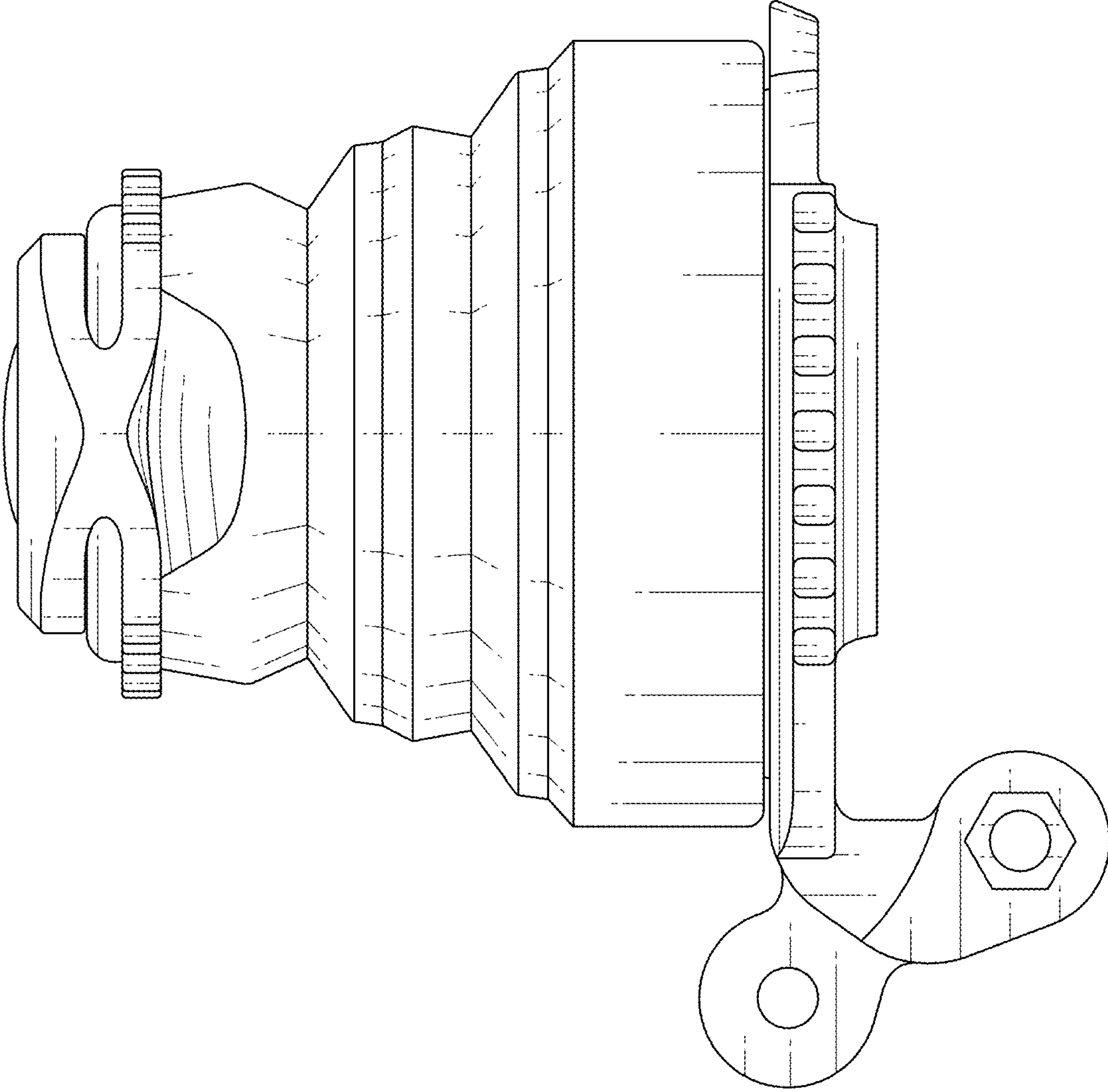


FIG. 4

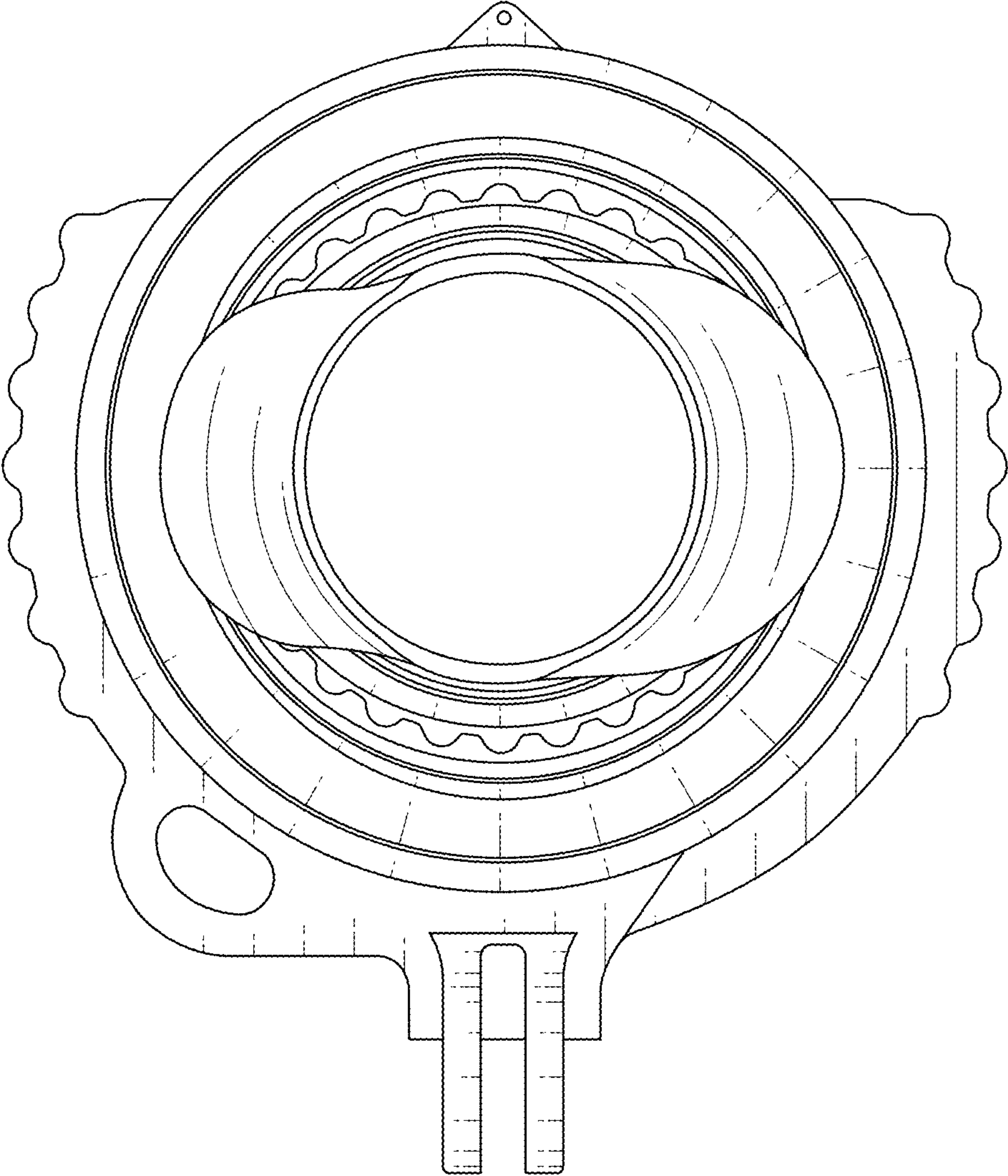


FIG. 5

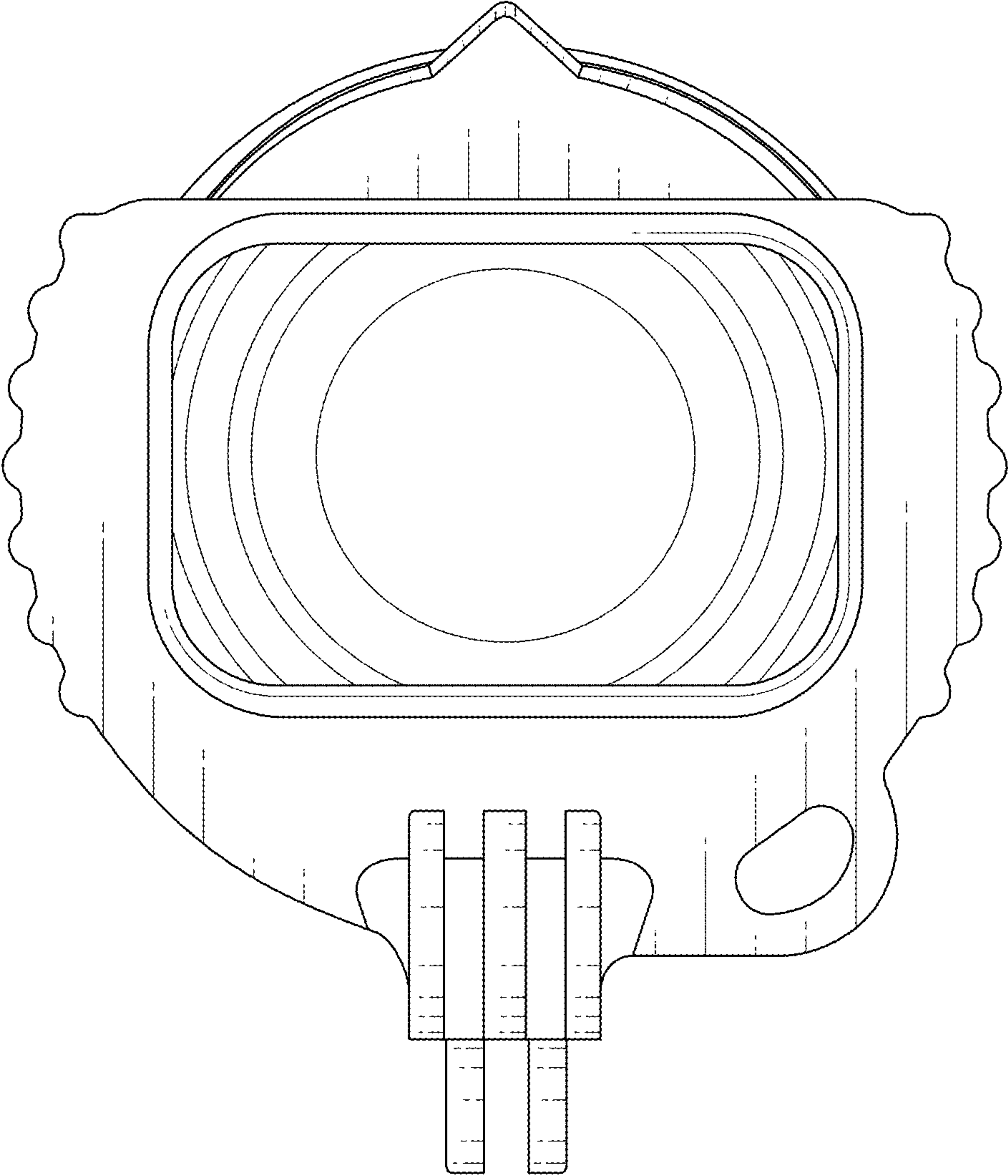


FIG. 6



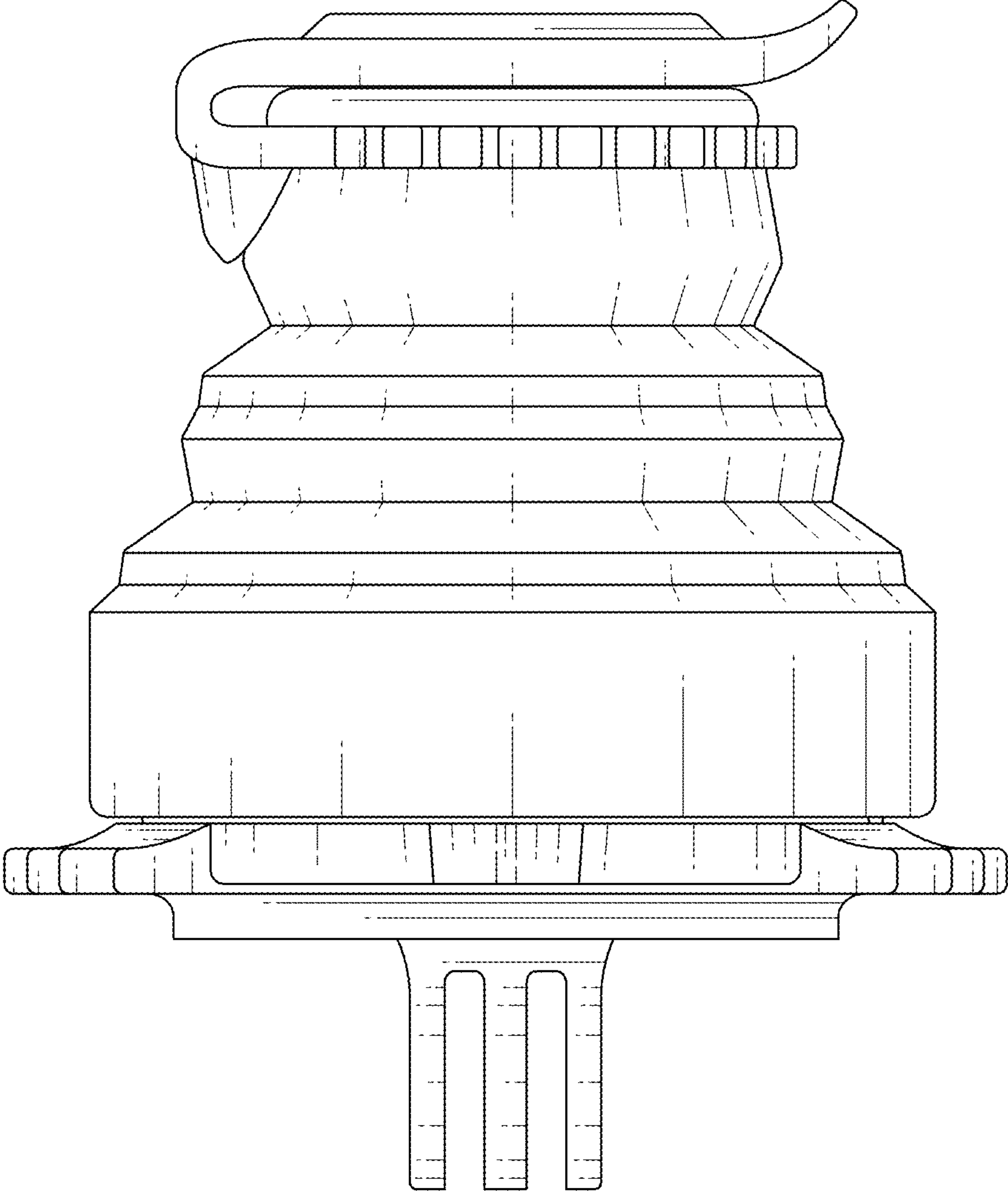


FIG. 7

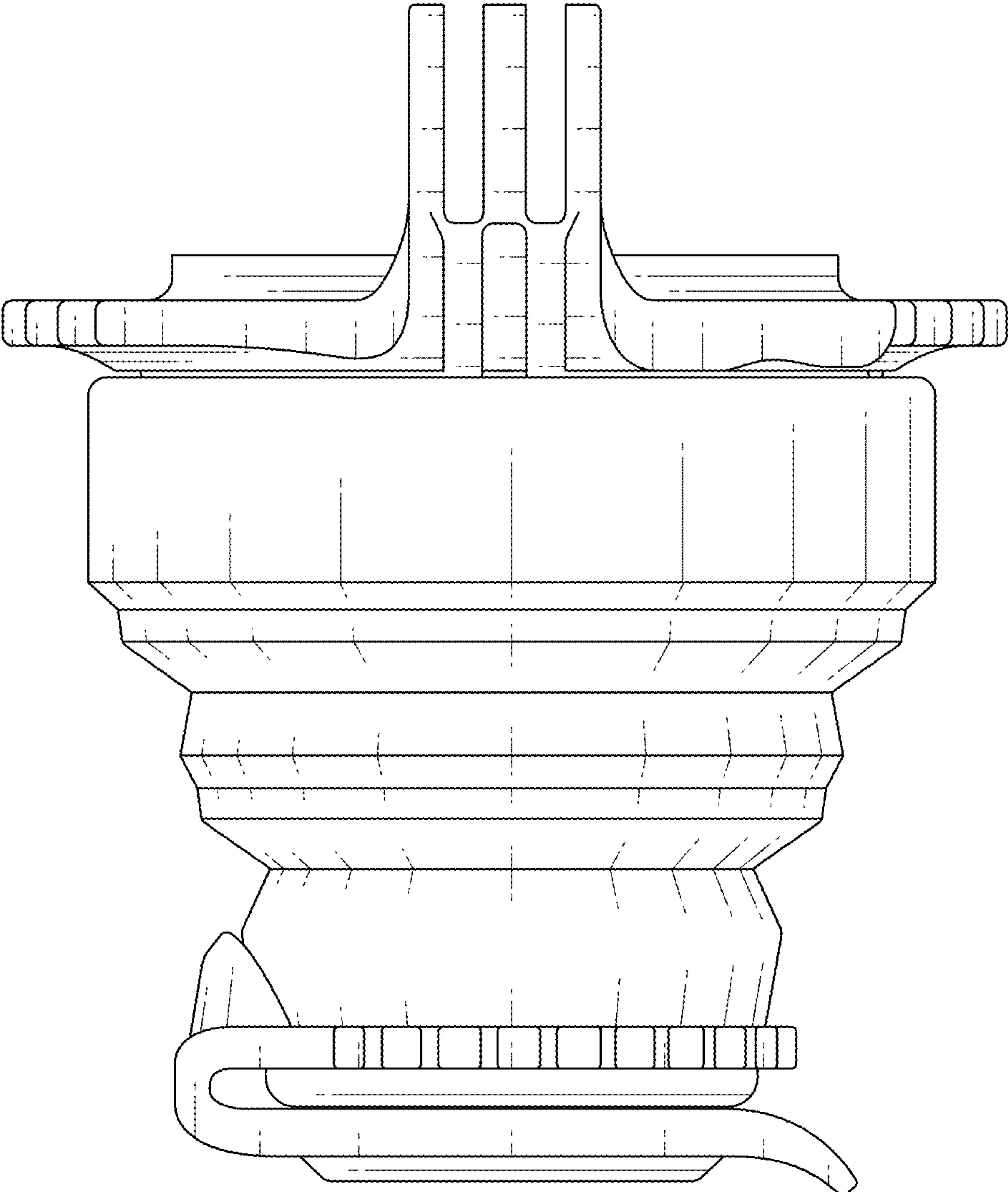


FIG. 8

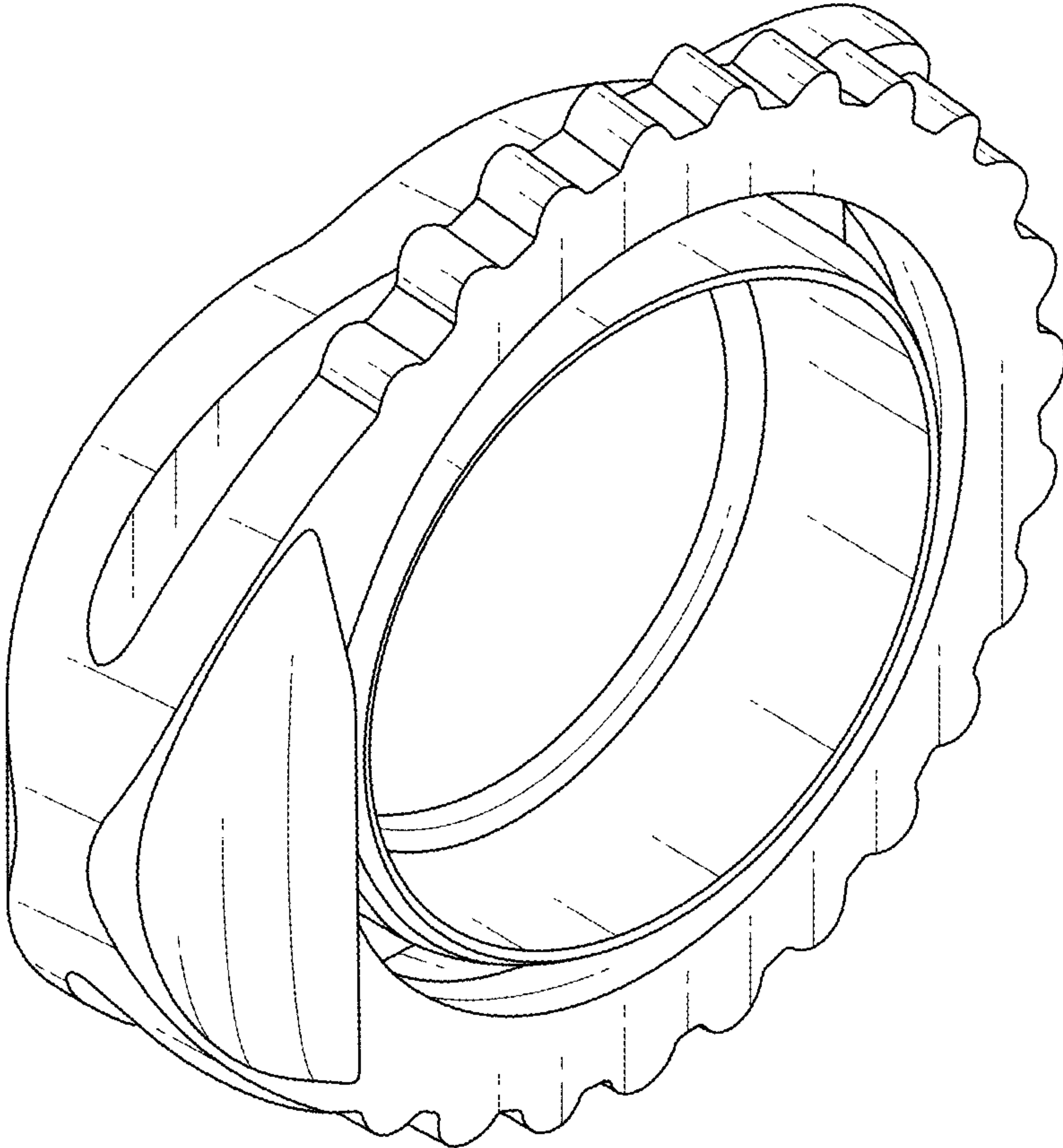


FIG. 9

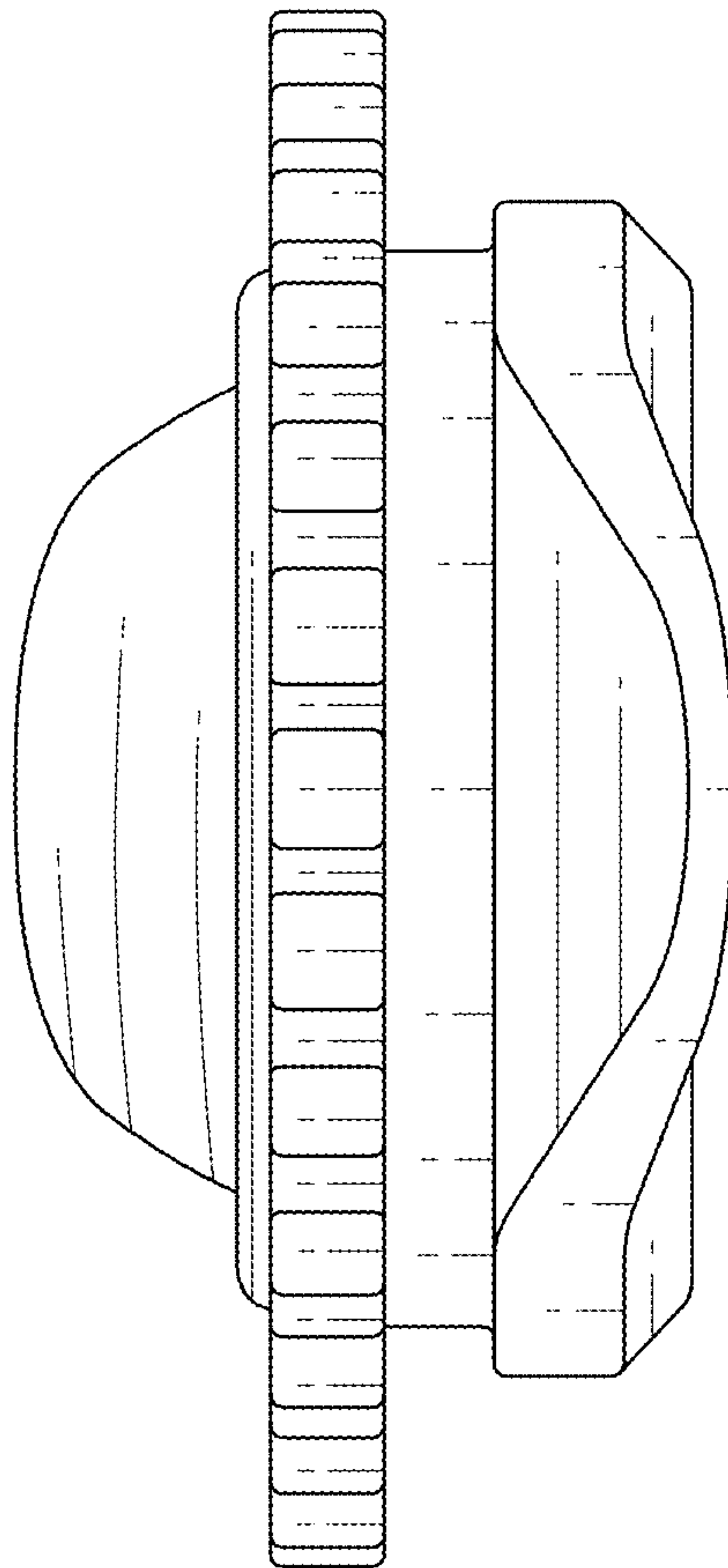


FIG. 10



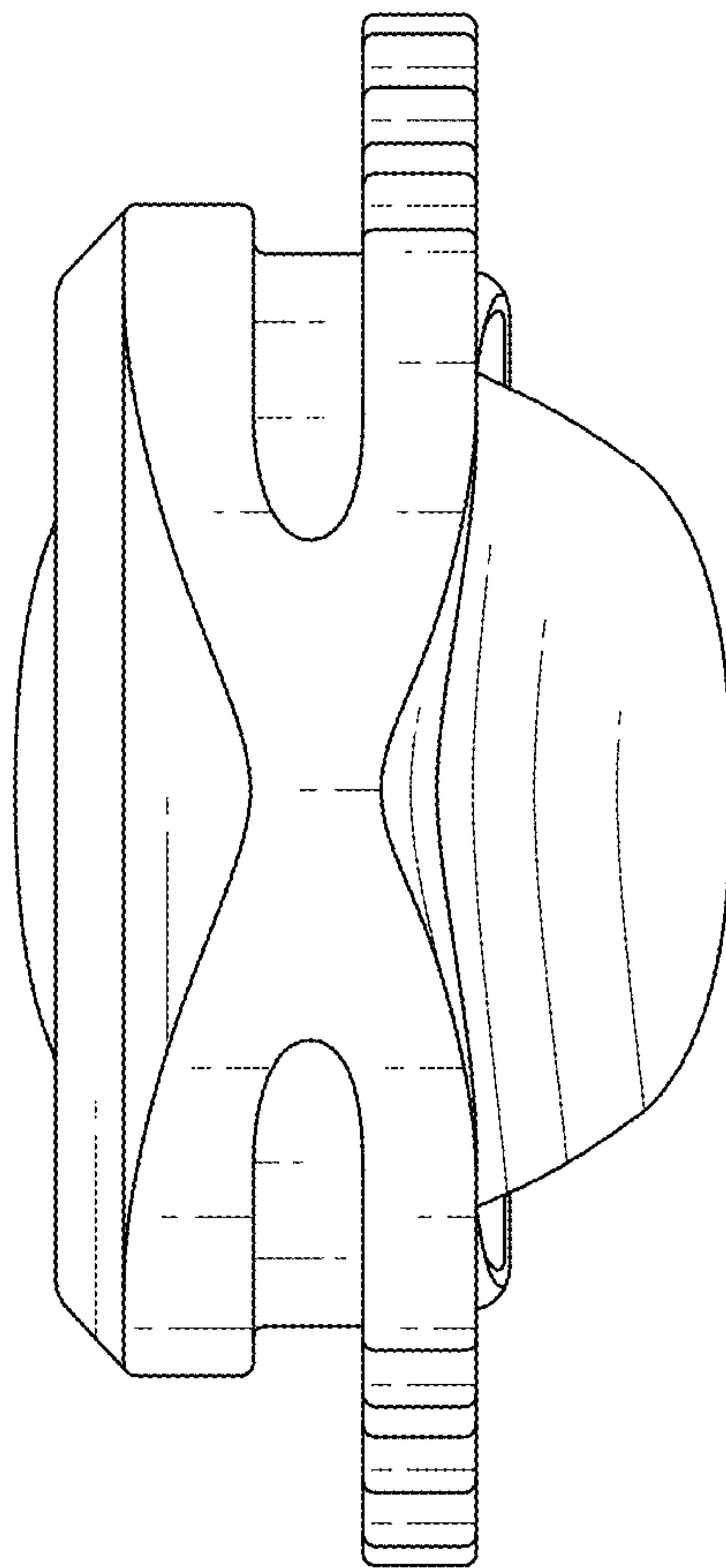


FIG. 11

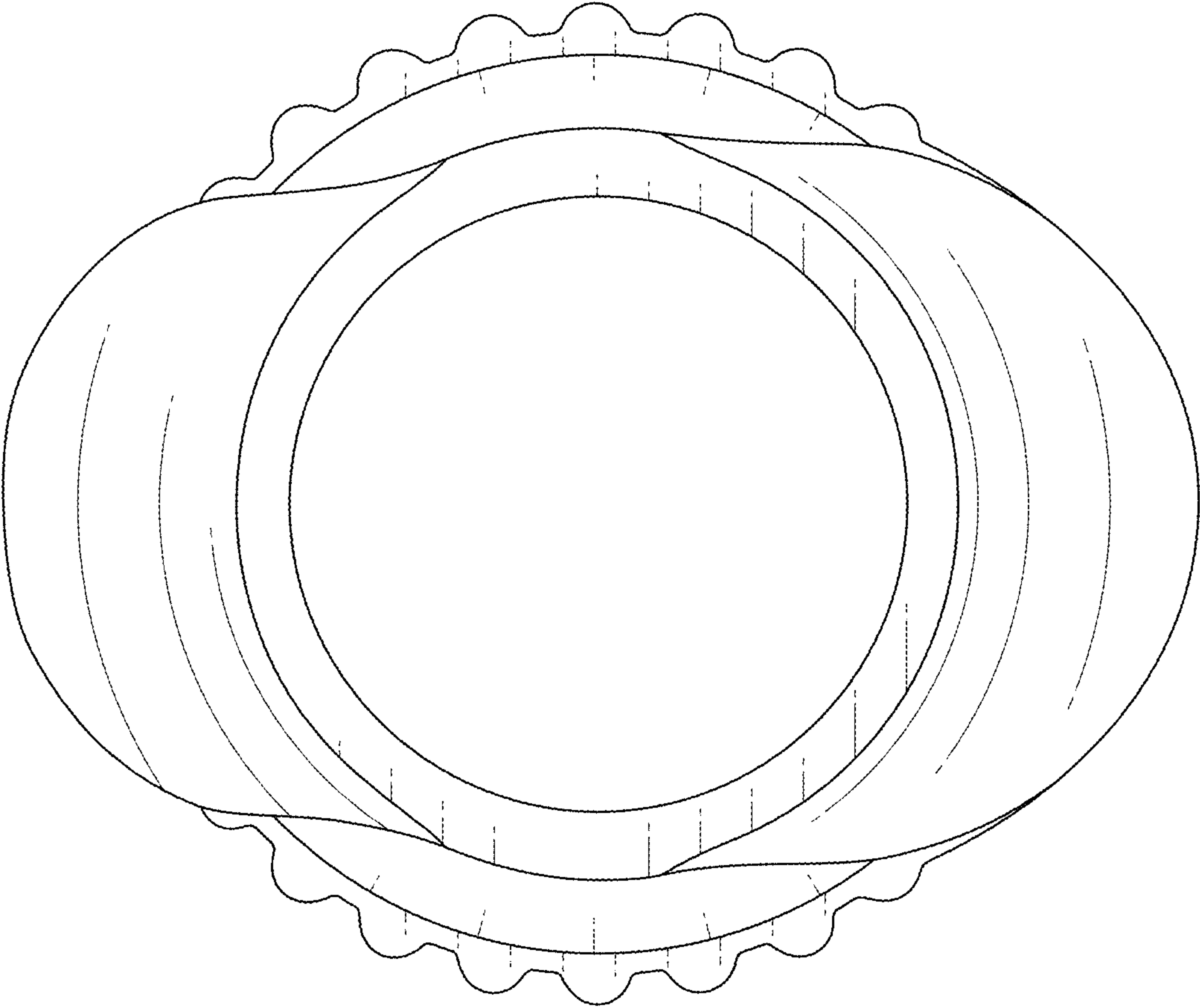


FIG. 12

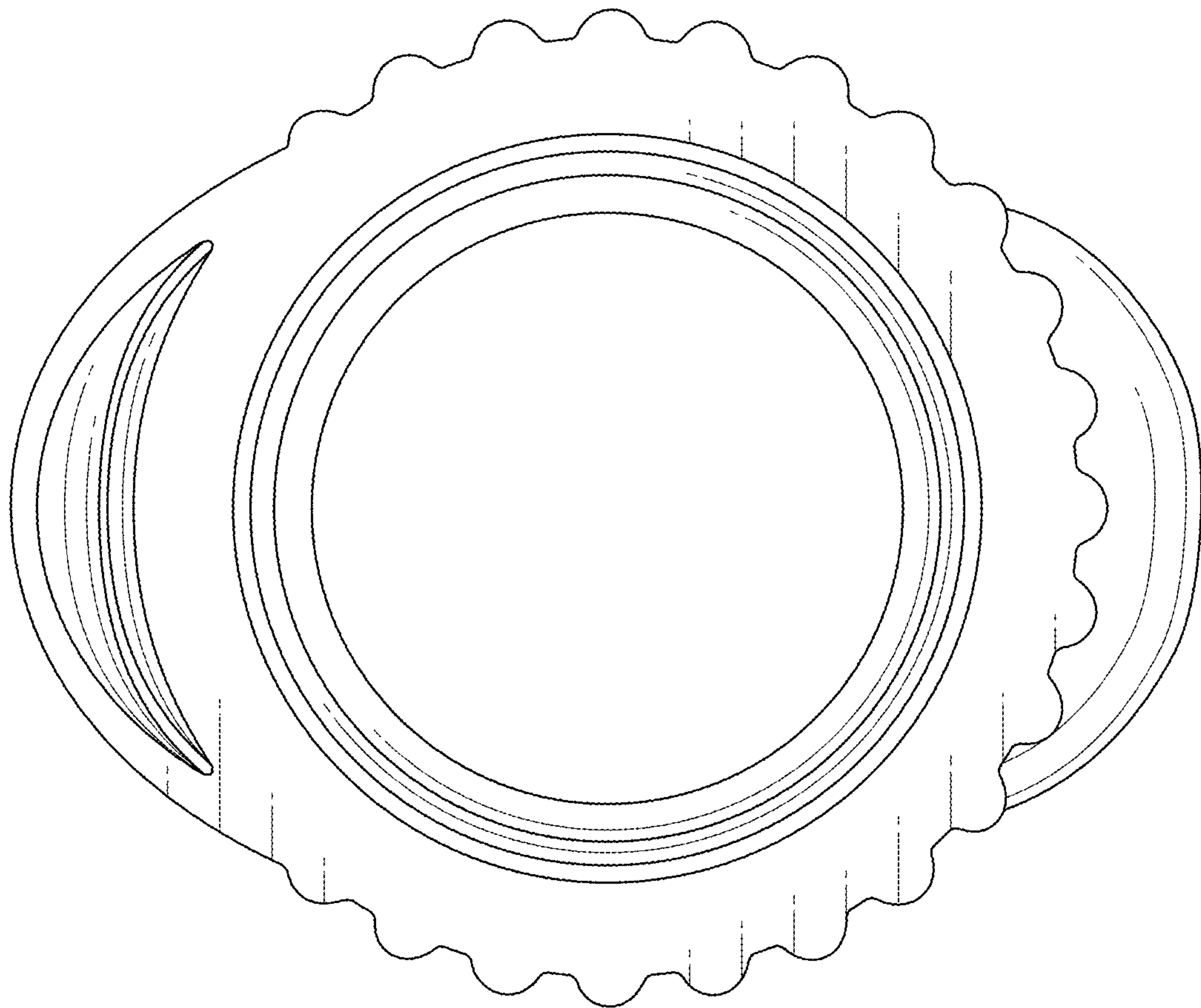


FIG. 13

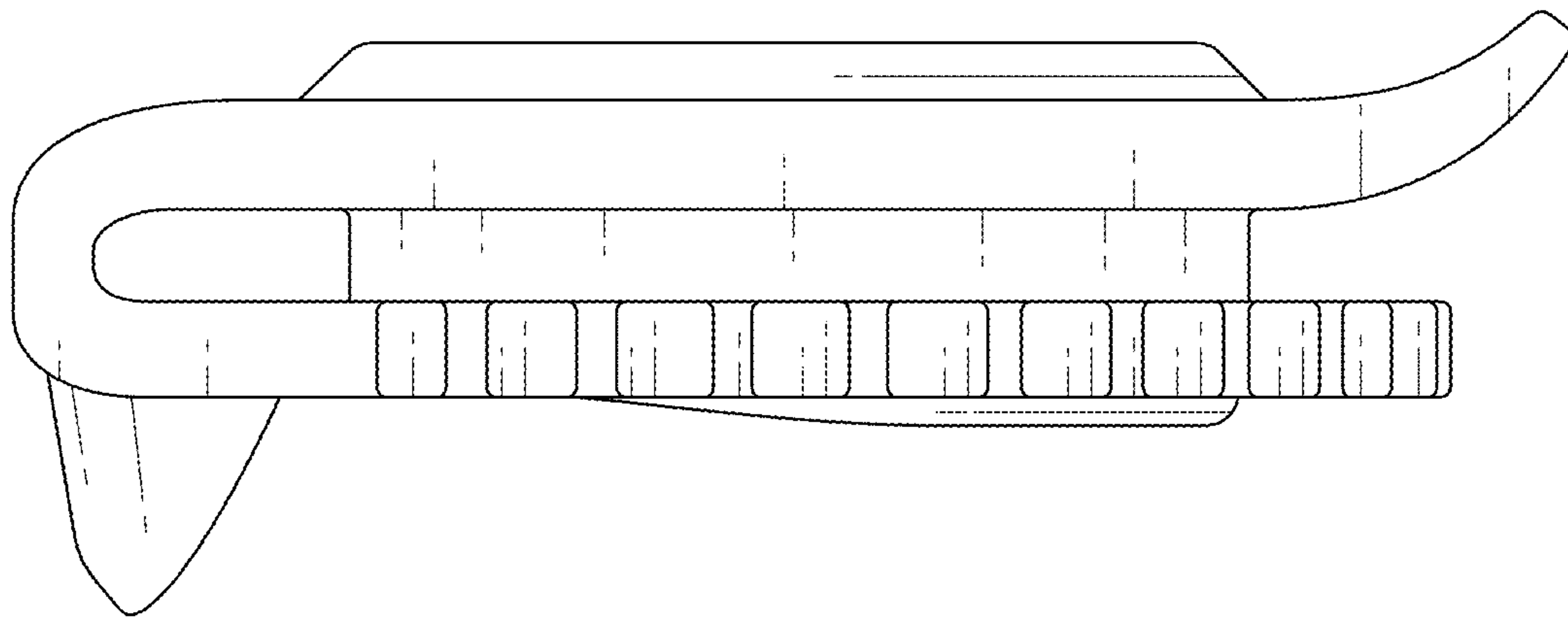


FIG. 14



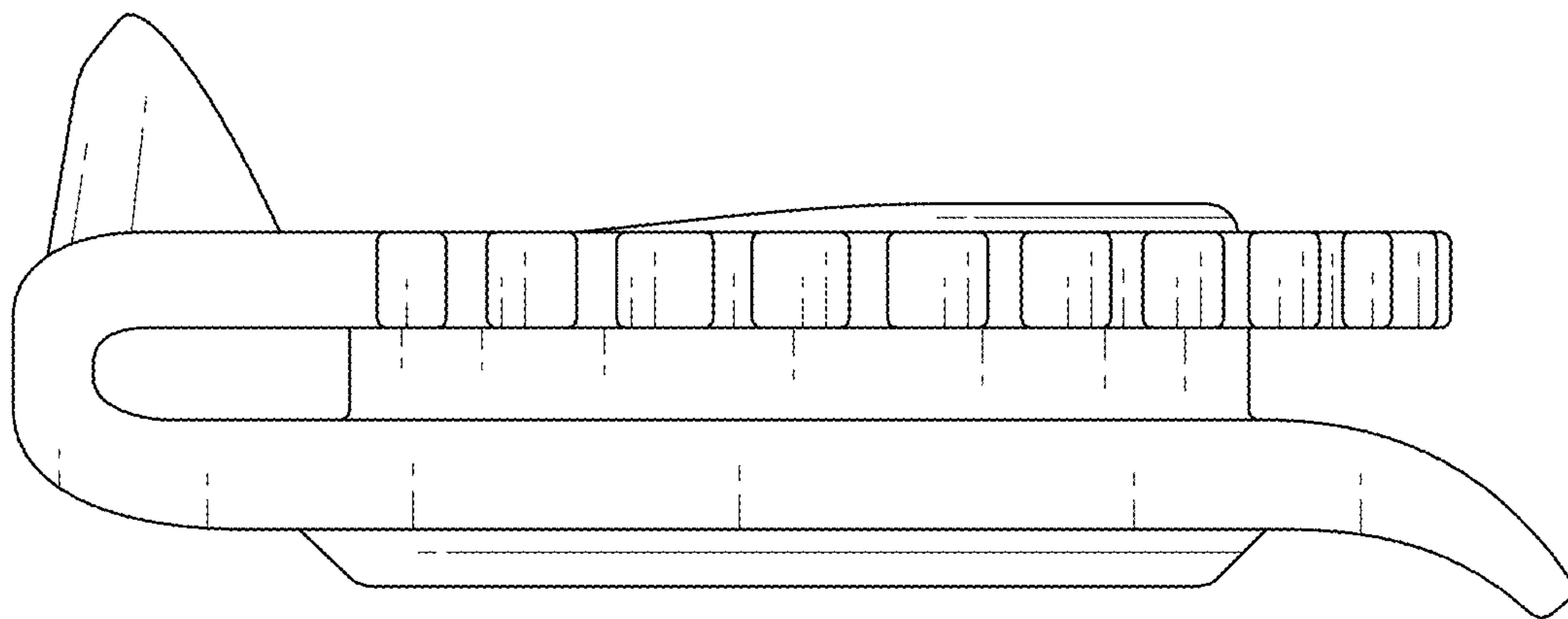


FIG. 15

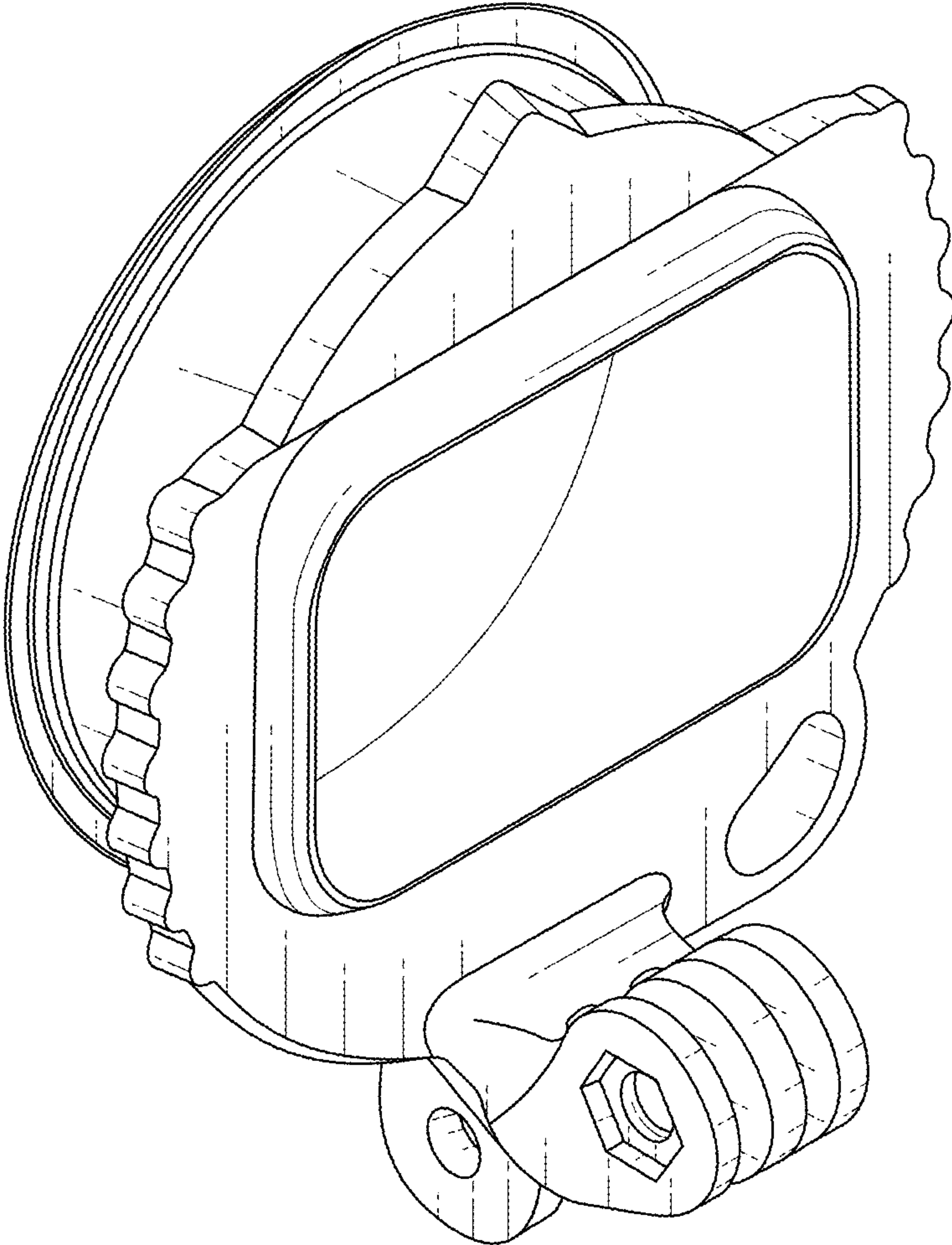


FIG. 16

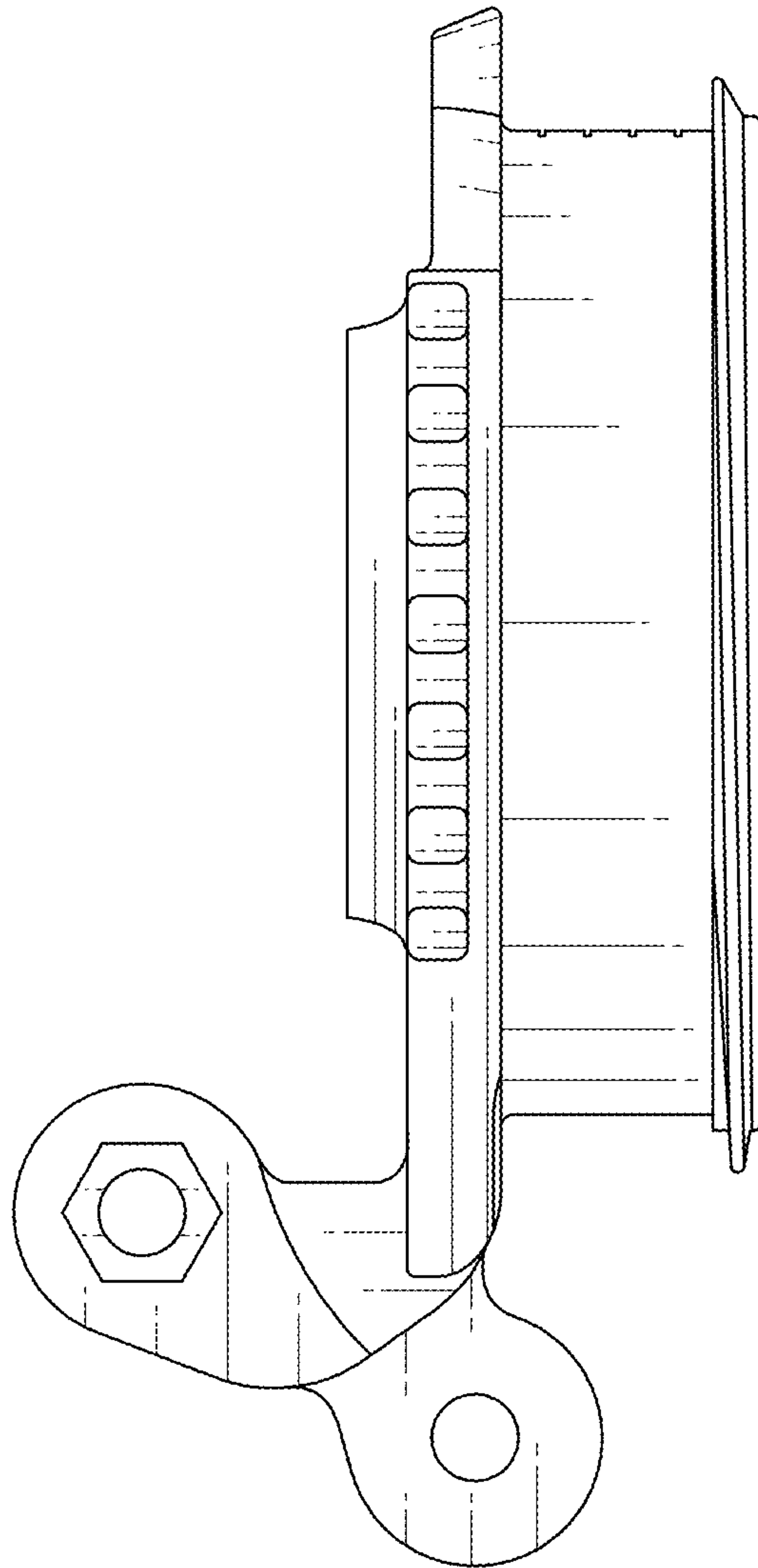


FIG. 17

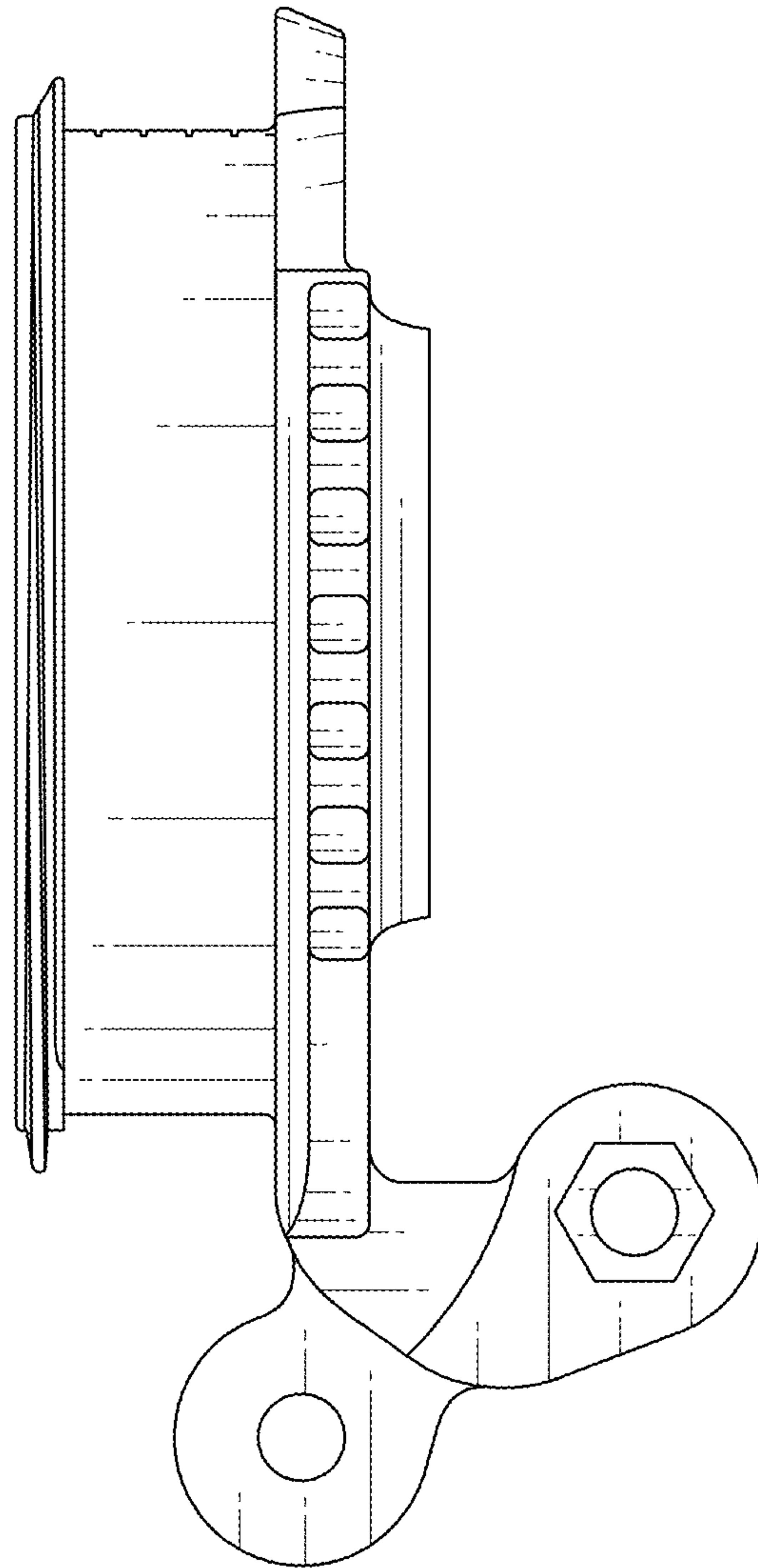


FIG. 18



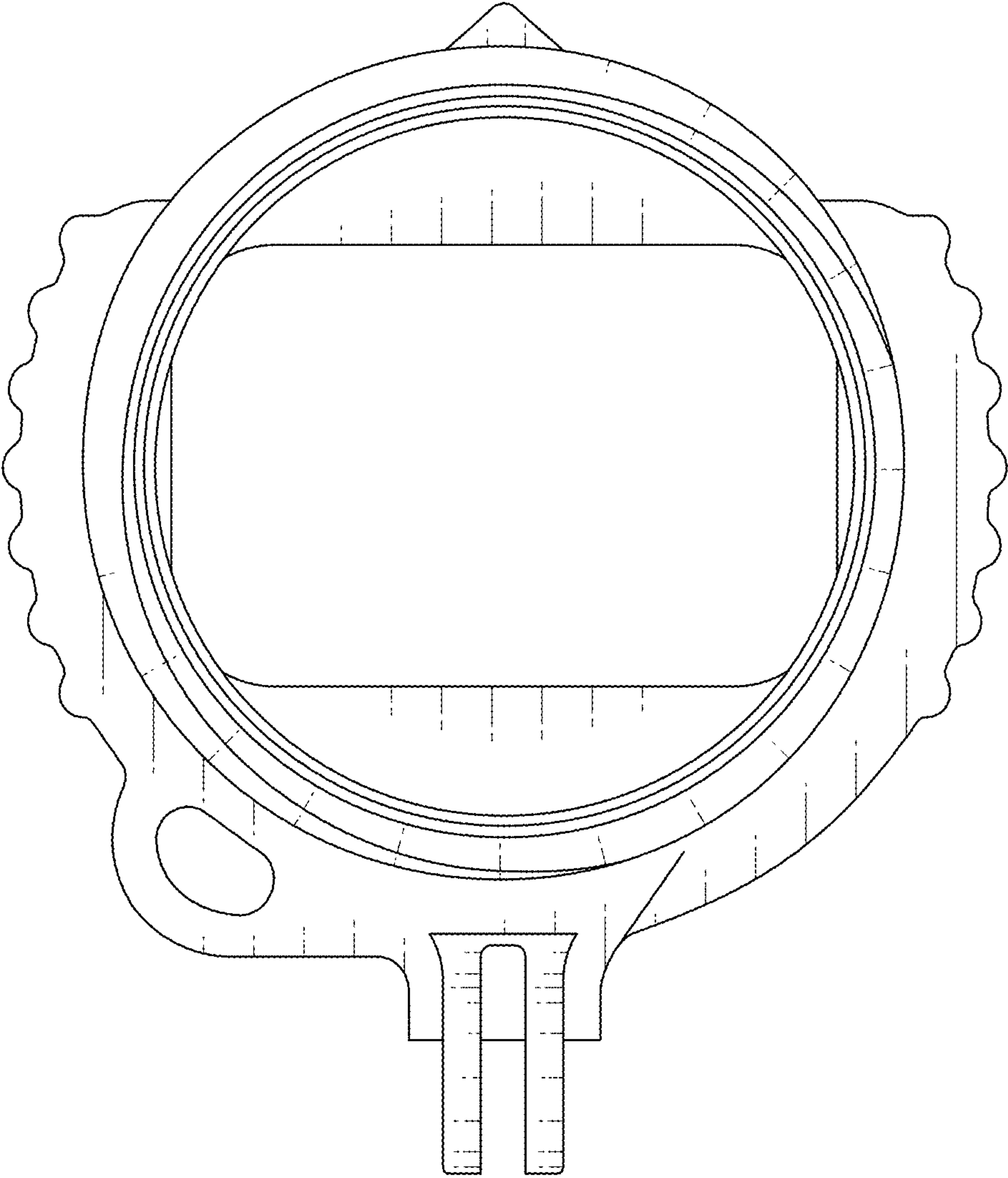


FIG. 19

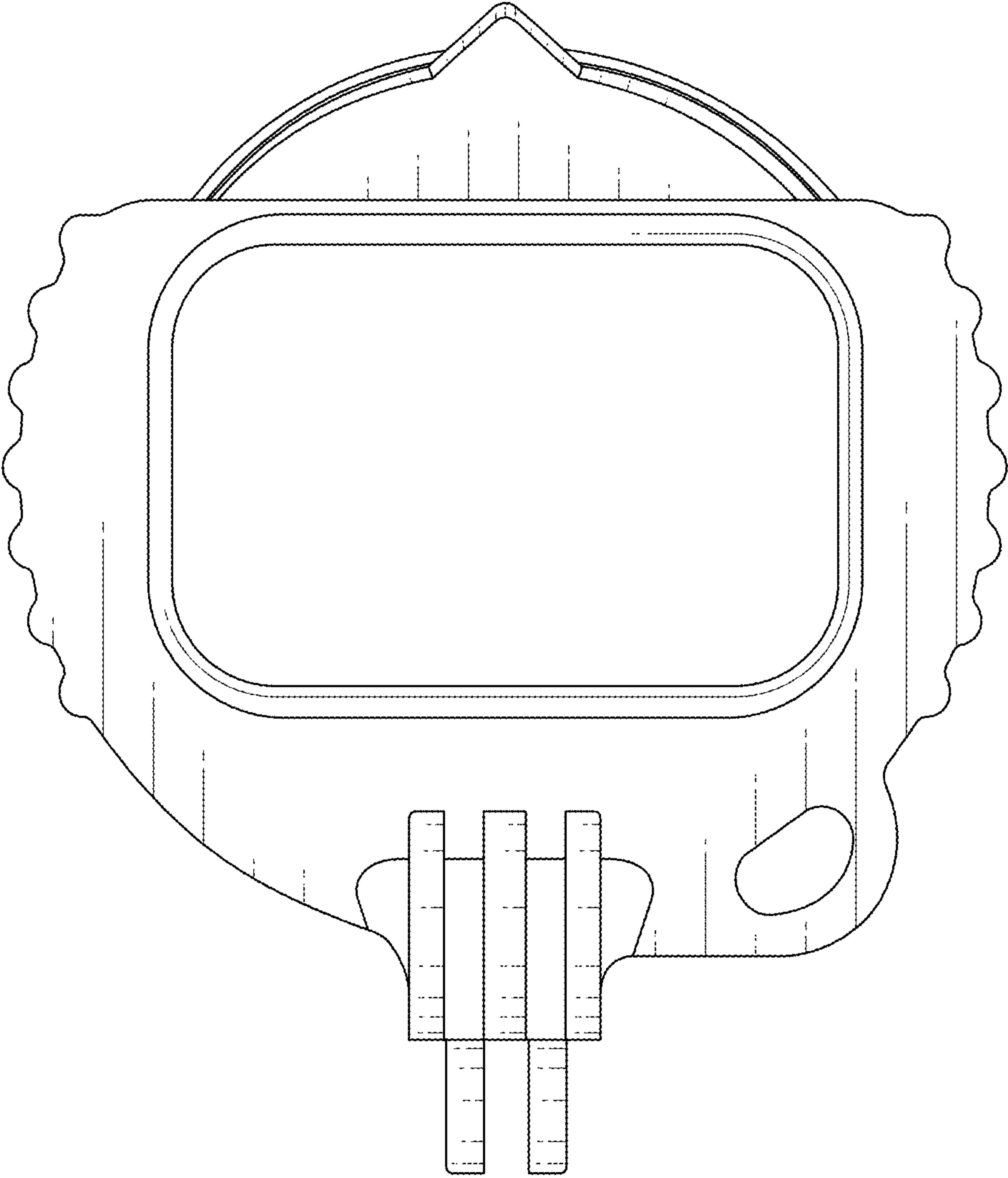


FIG. 20

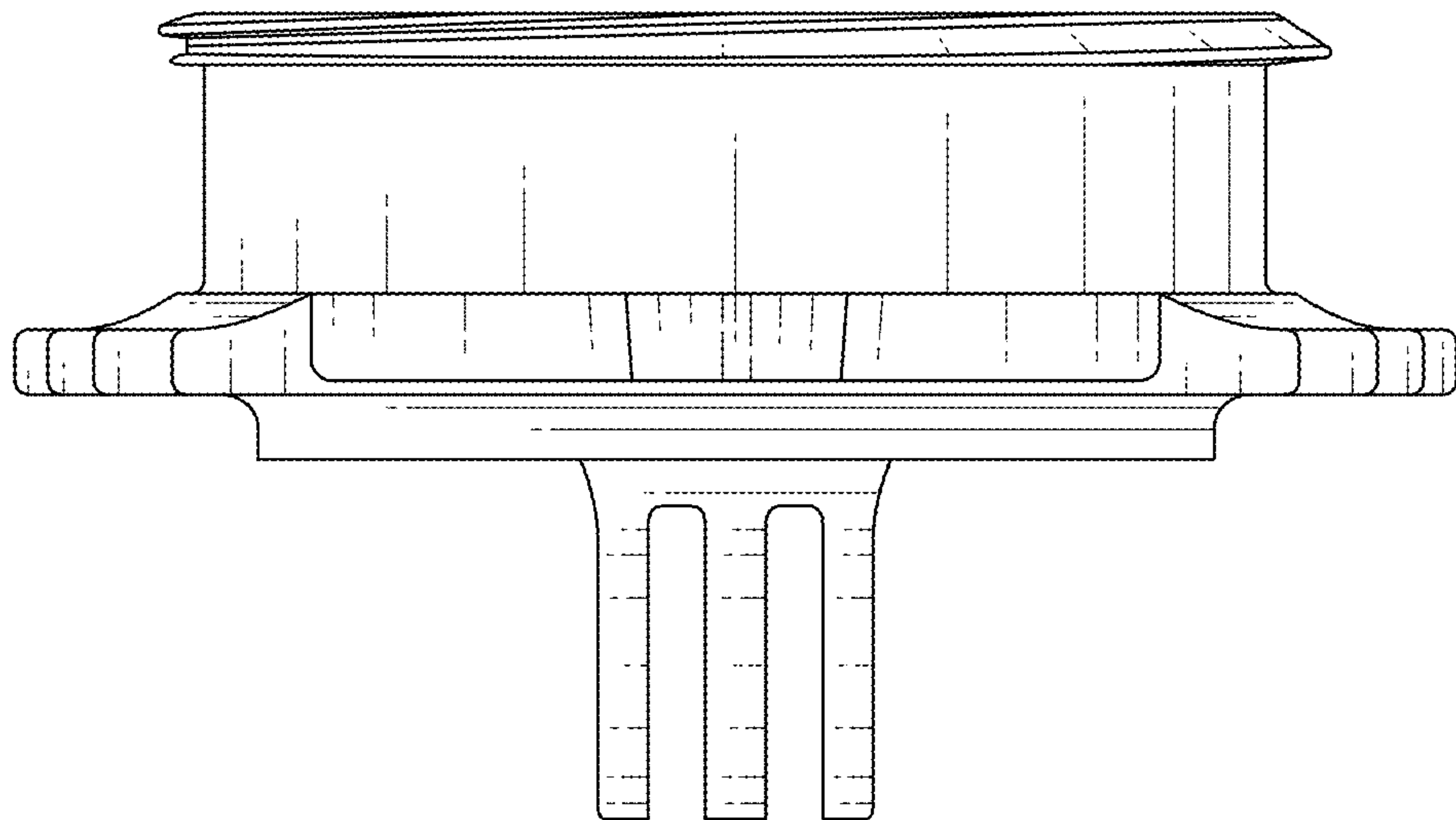


FIG. 21

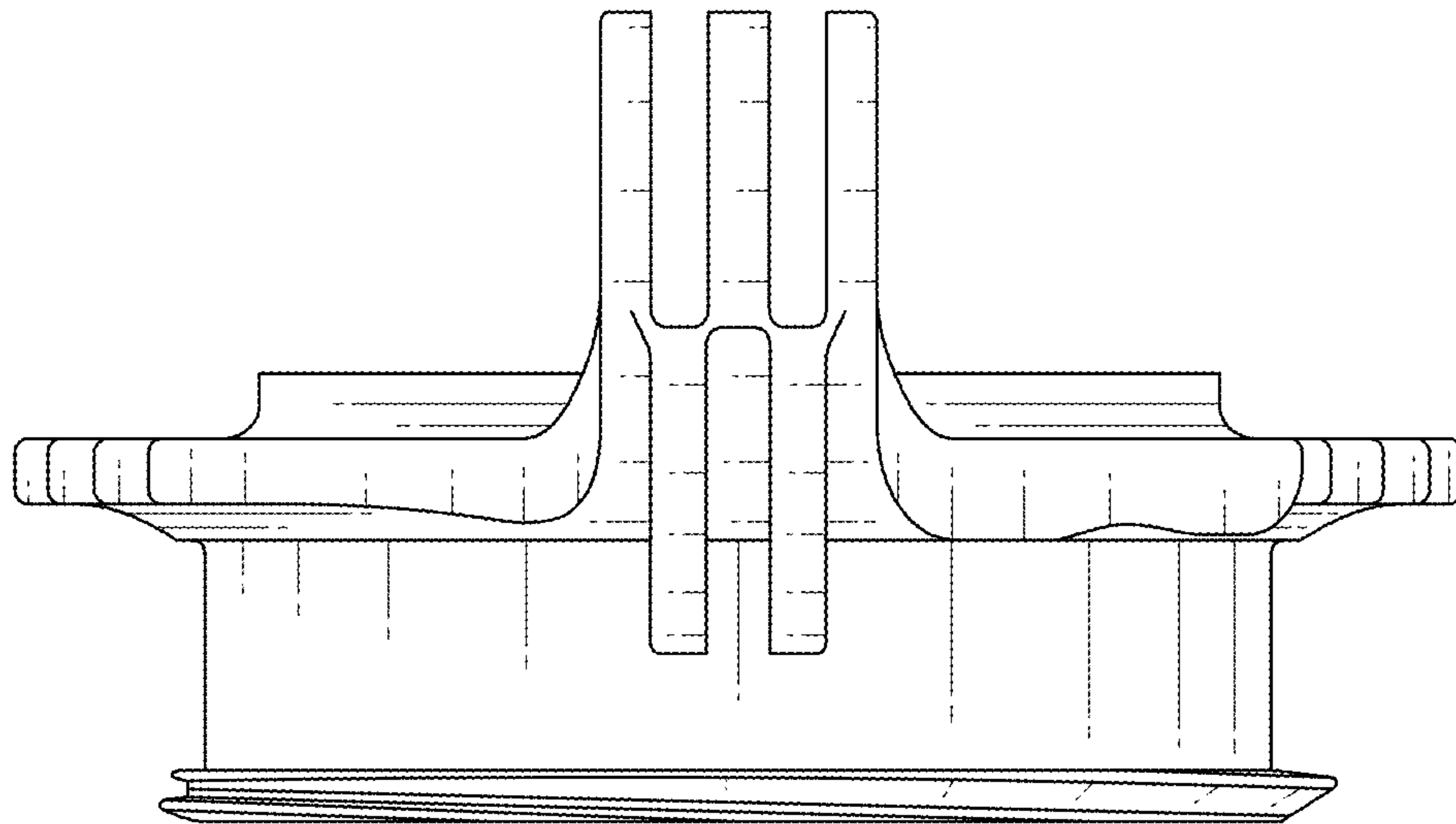


FIG. 22



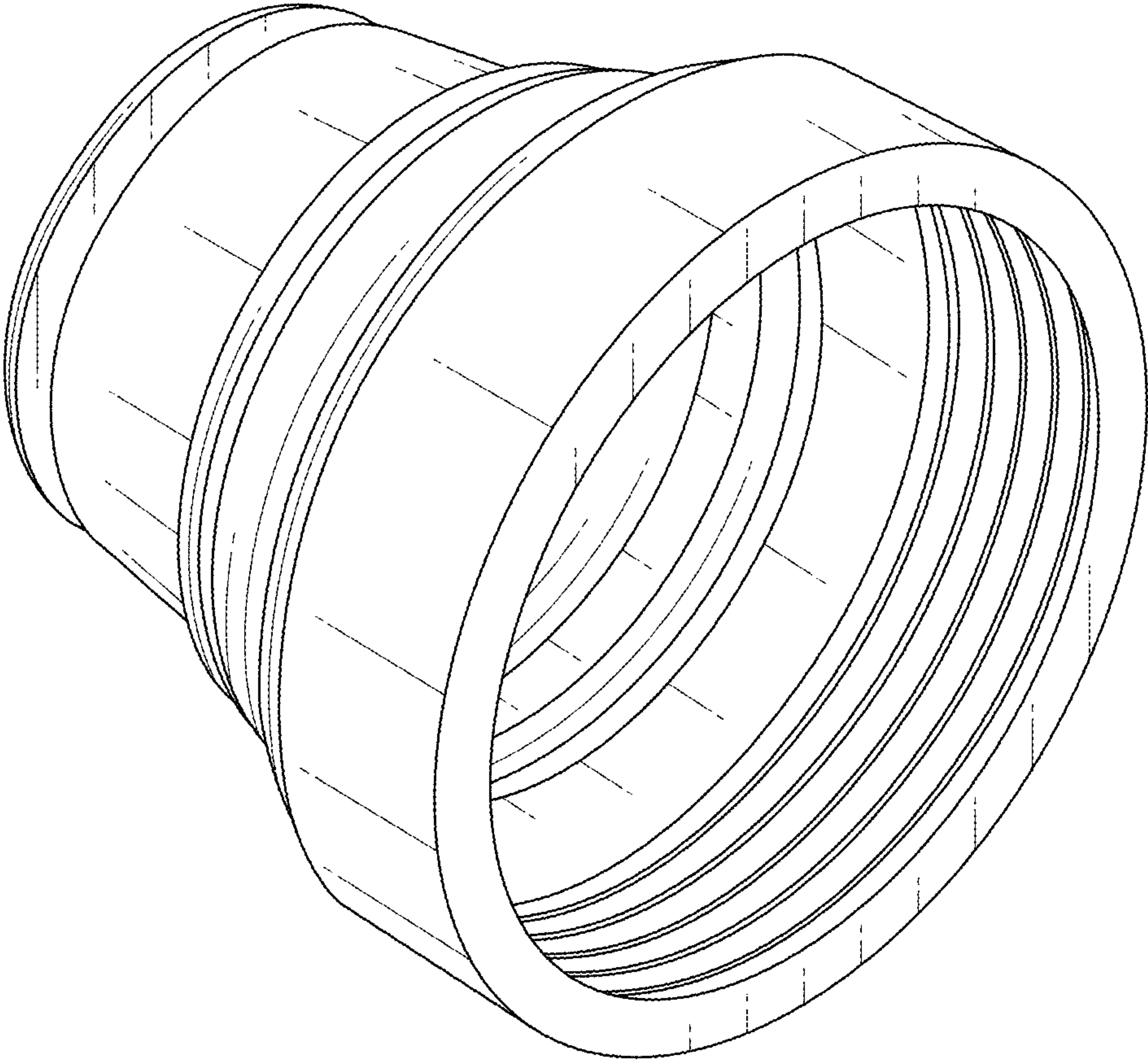


FIG. 23

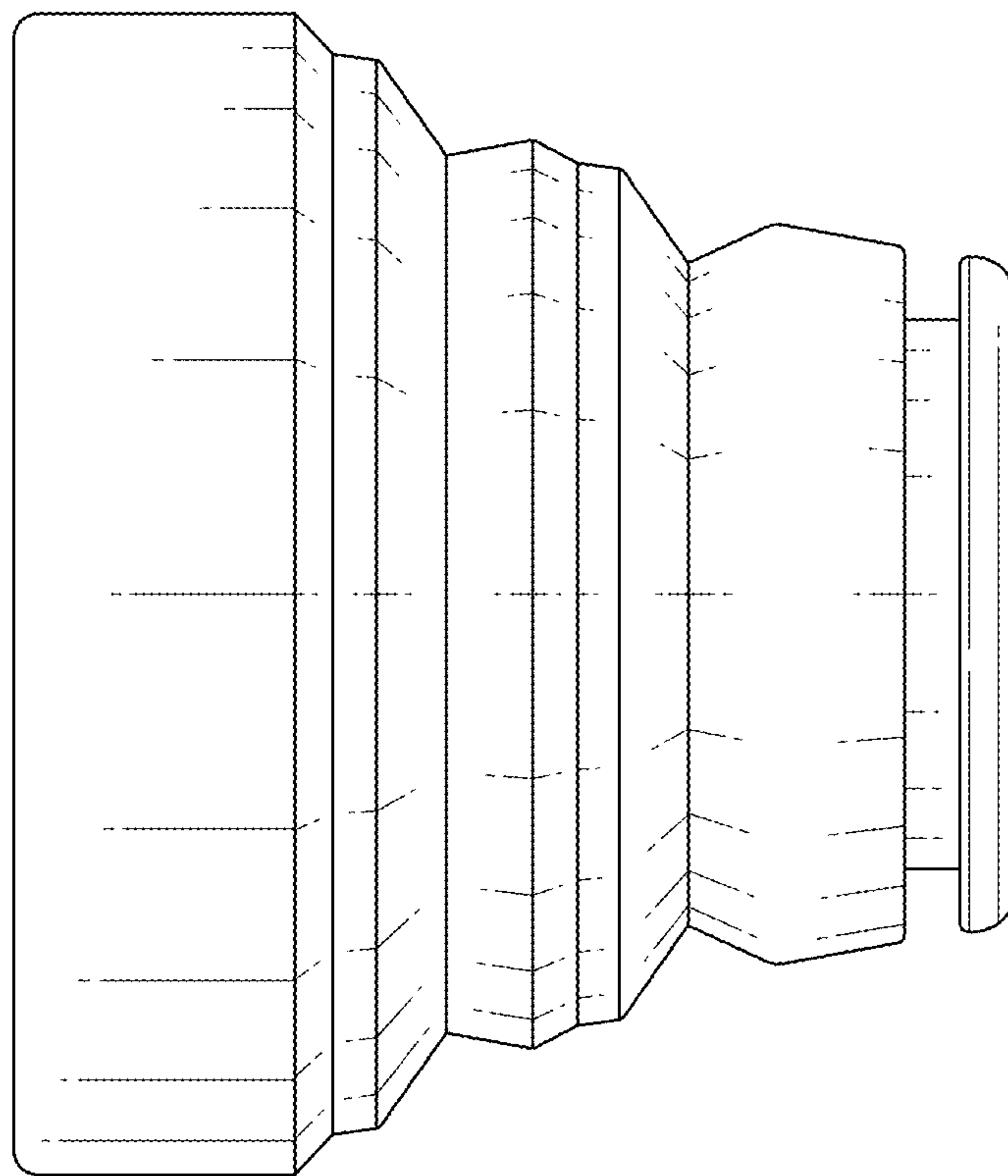


FIG. 24

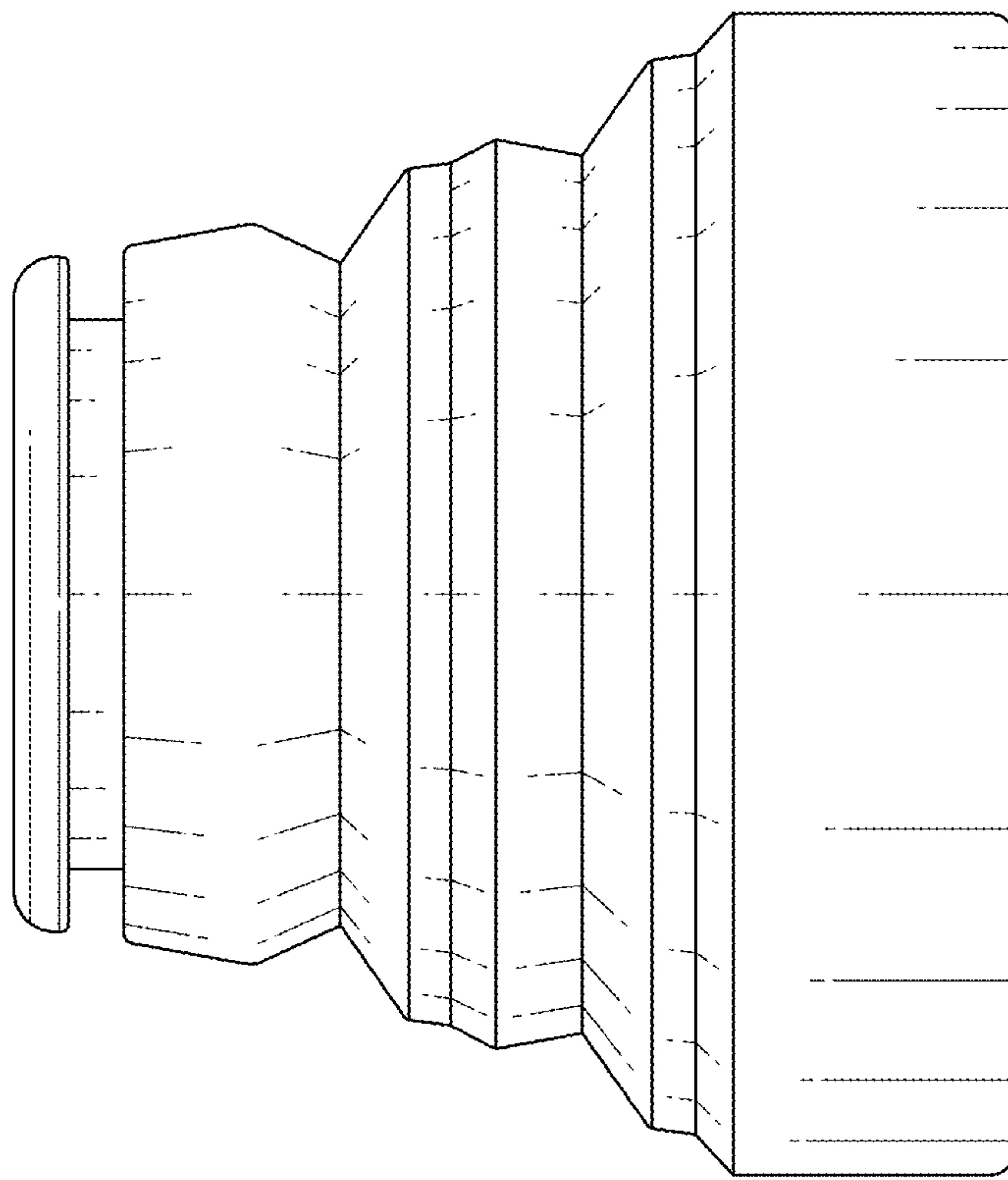


FIG. 25

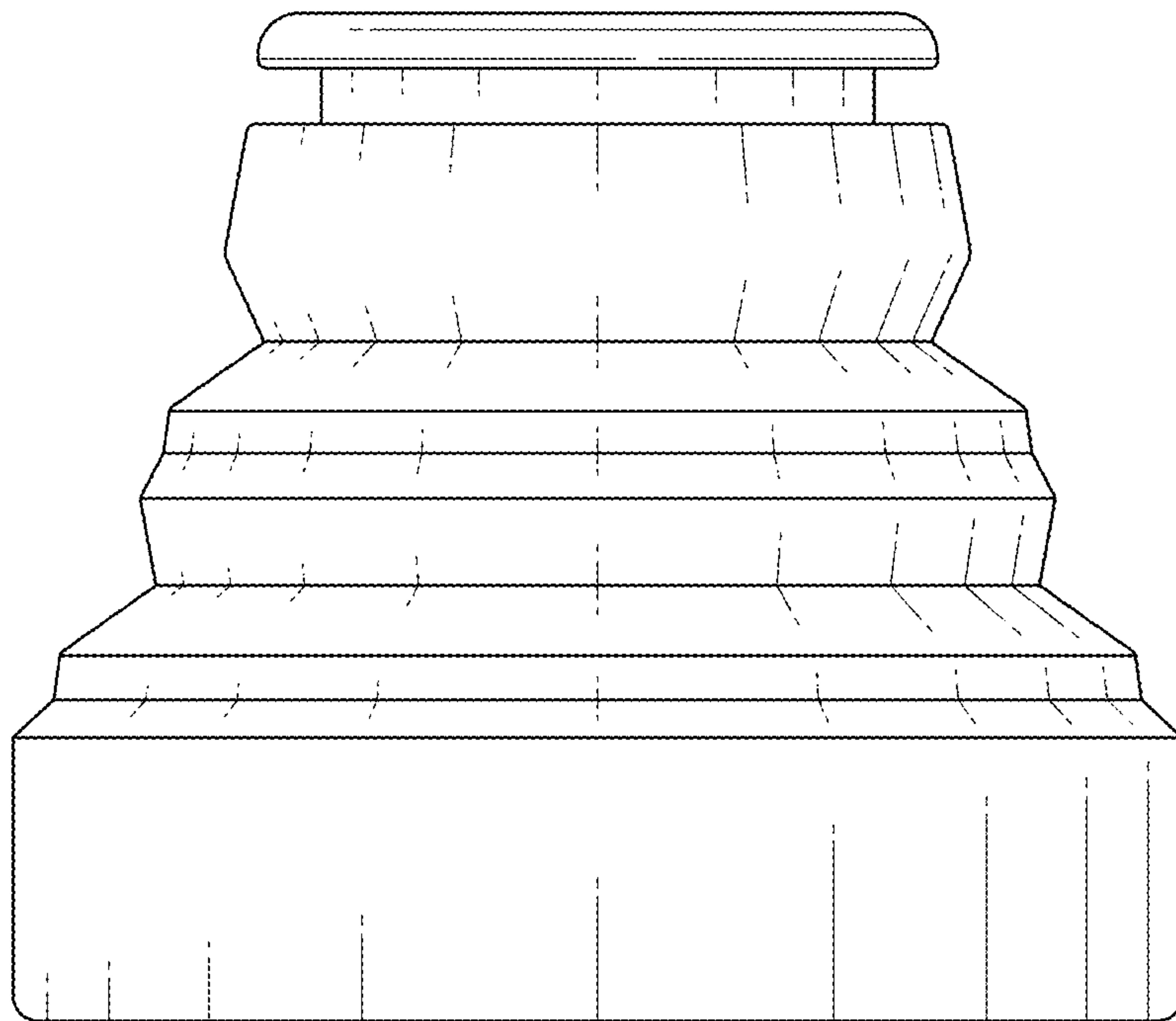


FIG. 26

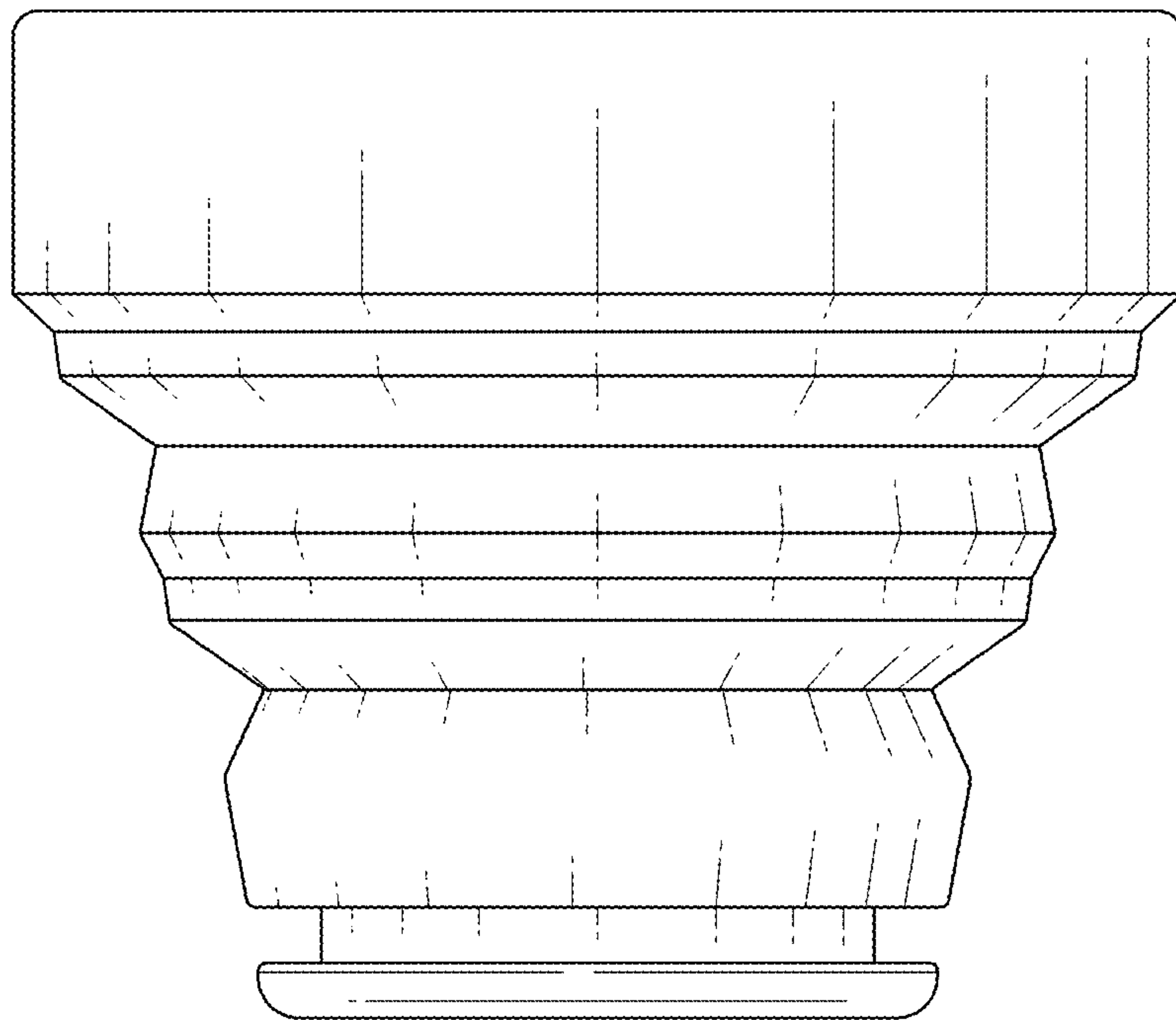


FIG. 27



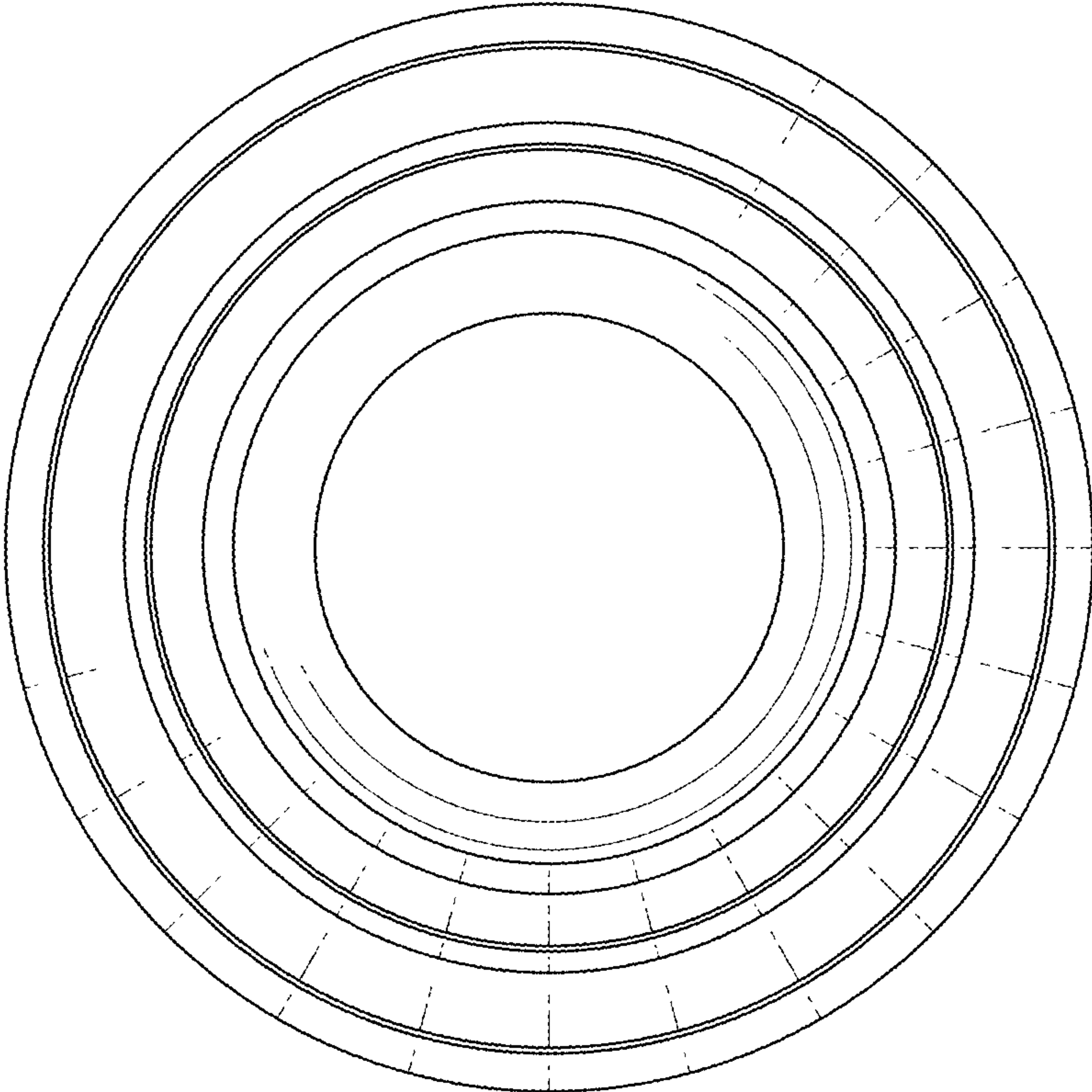


FIG. 28

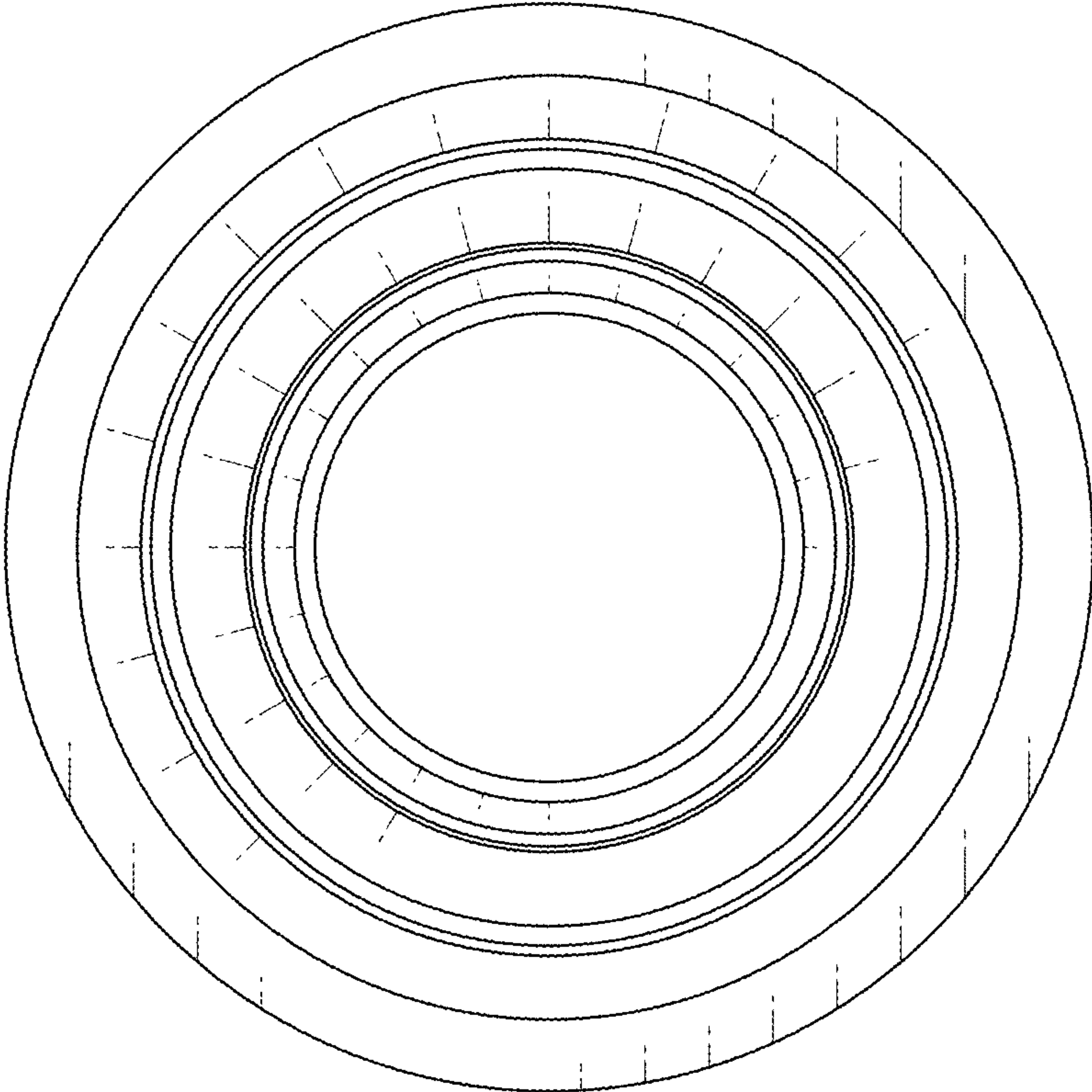


FIG. 29