



US00D956853S

(12) **United States Design Patent**  
**Gao**

(10) **Patent No.:** **US D956,853 S**  
(45) **Date of Patent:** **\*\* Jul. 5, 2022**

(54) **PROJECTOR**

(71) Applicant: **SHENZHEN AOKANG TECHNOLOGY CO., LTD.**, Shenzhen (CN)

(72) Inventor: **Hongbing Gao**, Shenzhen (CN)

(73) Assignee: **SHENZHEN AOKANG TECHNOLOGY CO., LTD.**, Shenzhen (CN)

(\*\*) Term: **15 Years**

(21) Appl. No.: **29/763,213**

(22) Filed: **Dec. 22, 2020**

(51) **LOC (13) Cl.** ..... **16-02**

(52) **U.S. Cl.**  
USPC ..... **D16/230**

(58) **Field of Classification Search**  
USPC ..... D16/221, 225, 230-231, 234; D21/514  
CPC ..... G03B 21/00; G03B 21/14; G03B 21/145;  
G03B 21/16; G03B 21/001; G03B 21/003; G03B 21/12  
See application file for complete search history.

(56) **References Cited**

**U.S. PATENT DOCUMENTS**

D850,518 S \* 6/2019 Gan ..... D16/230  
D871,489 S \* 12/2019 Wan ..... D16/230

D896,299 S \* 9/2020 Ou ..... D16/230  
D903,744 S \* 12/2020 Gao ..... D16/230  
D933,116 S \* 10/2021 Li ..... D16/230  
D939,614 S \* 12/2021 Mao ..... D16/230

\* cited by examiner

*Primary Examiner* — Wan Laymon

(57) **CLAIM**

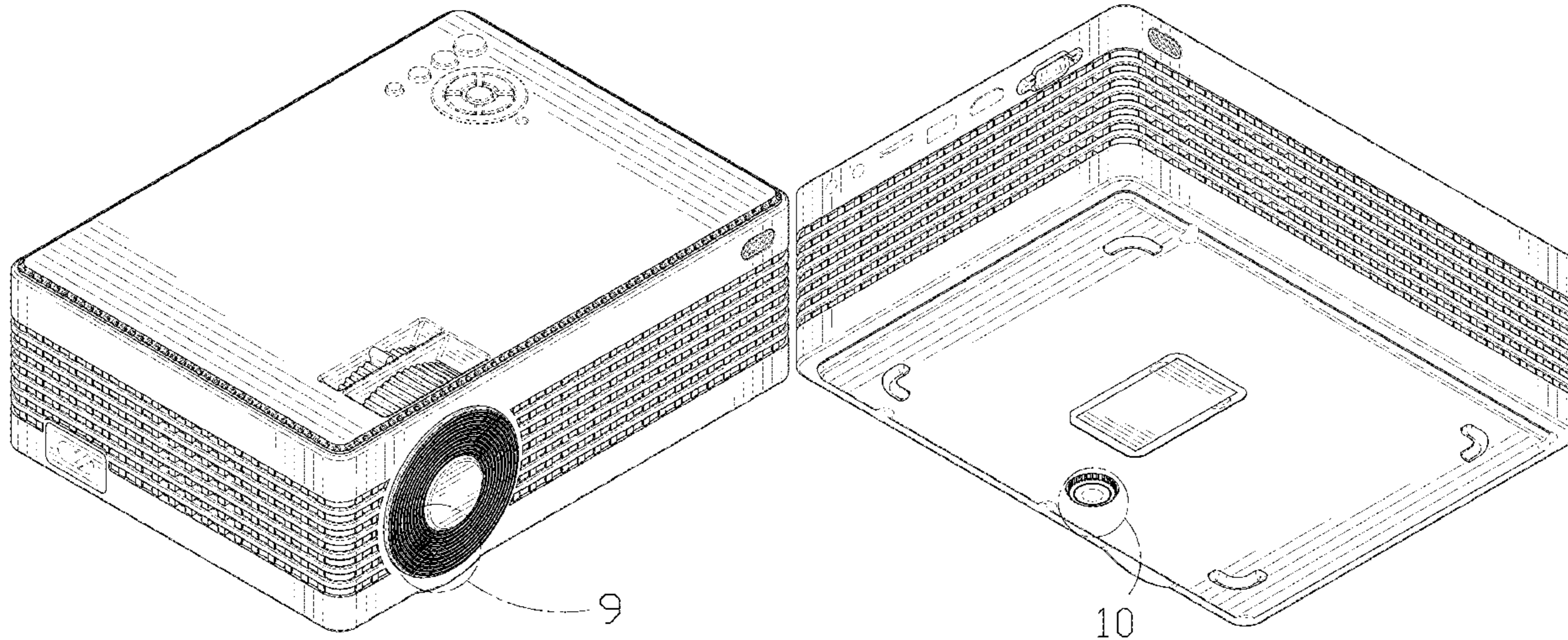
The ornamental design for a projector, as shown and described.

**DESCRIPTION**

FIG. 1 is a perspective view of a projector showing my new design;  
FIG. 2 is another perspective view thereof;  
FIG. 3 is a front elevational view thereof;  
FIG. 4 is a rear elevational view thereof;  
FIG. 5 is a left side elevational view thereof;  
FIG. 6 is a right side elevational view thereof;  
FIG. 7 is a top plan view thereof;  
FIG. 8 is a bottom plan view thereof;  
FIG. 9 is an enlarged view of the encircled portion 9 of FIG. 1; and,  
FIG. 10 is an enlarged view of the encircled portion 10 of FIG. 2.

The broken lines in the drawings are for the purpose of illustrating portions of the projector that form no part of the claimed design.

**1 Claim, 10 Drawing Sheets**



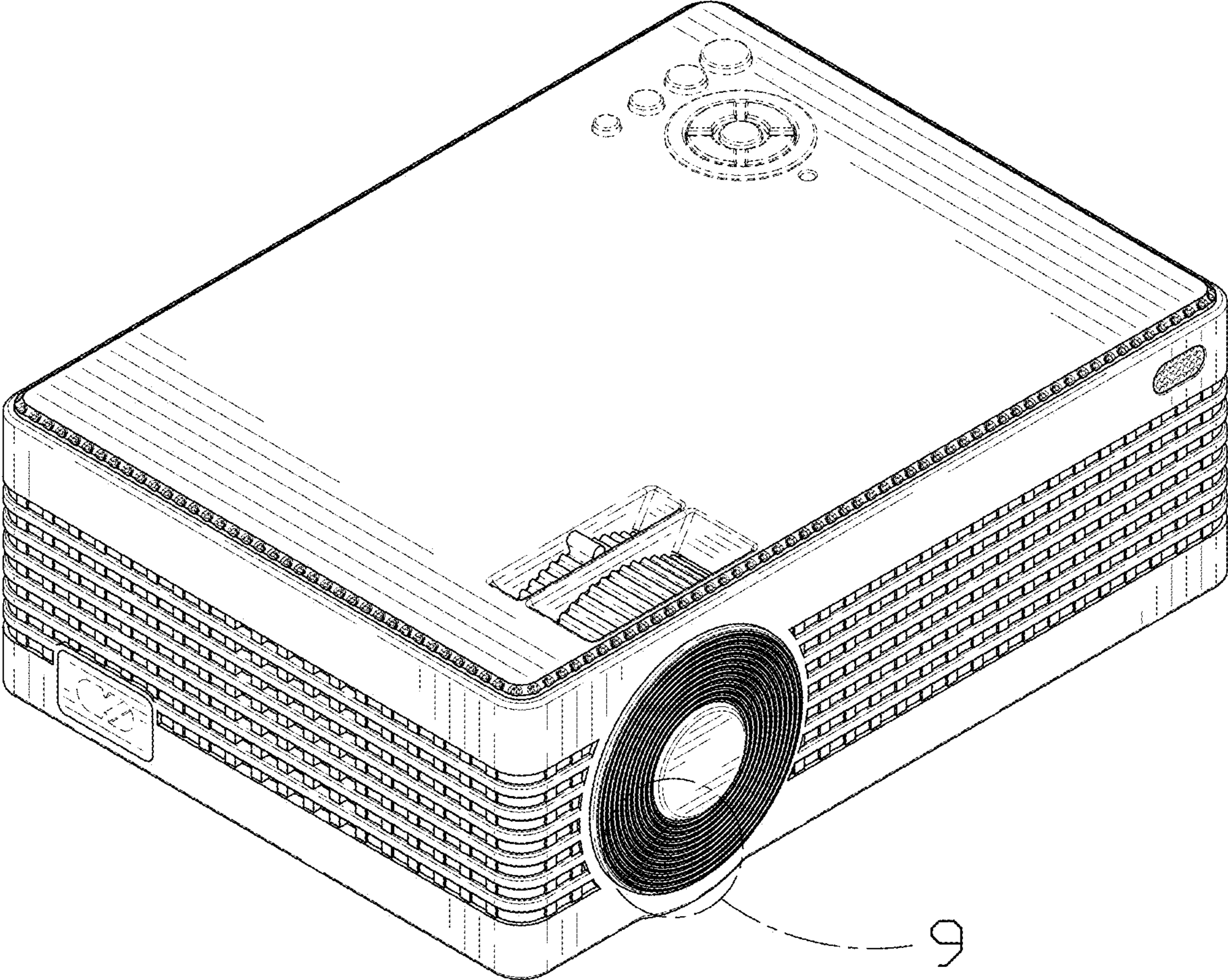


FIG. 1

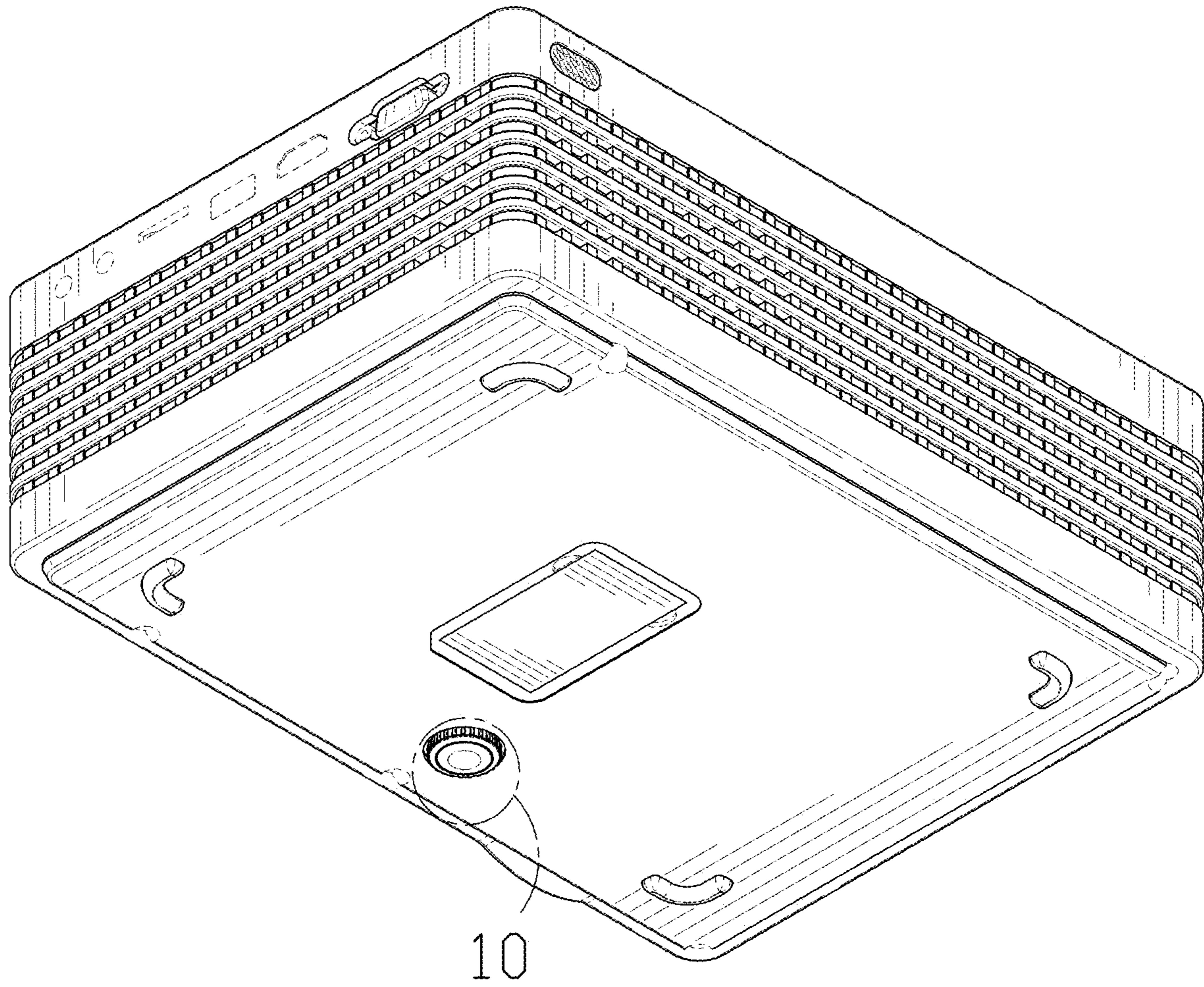


FIG. 2

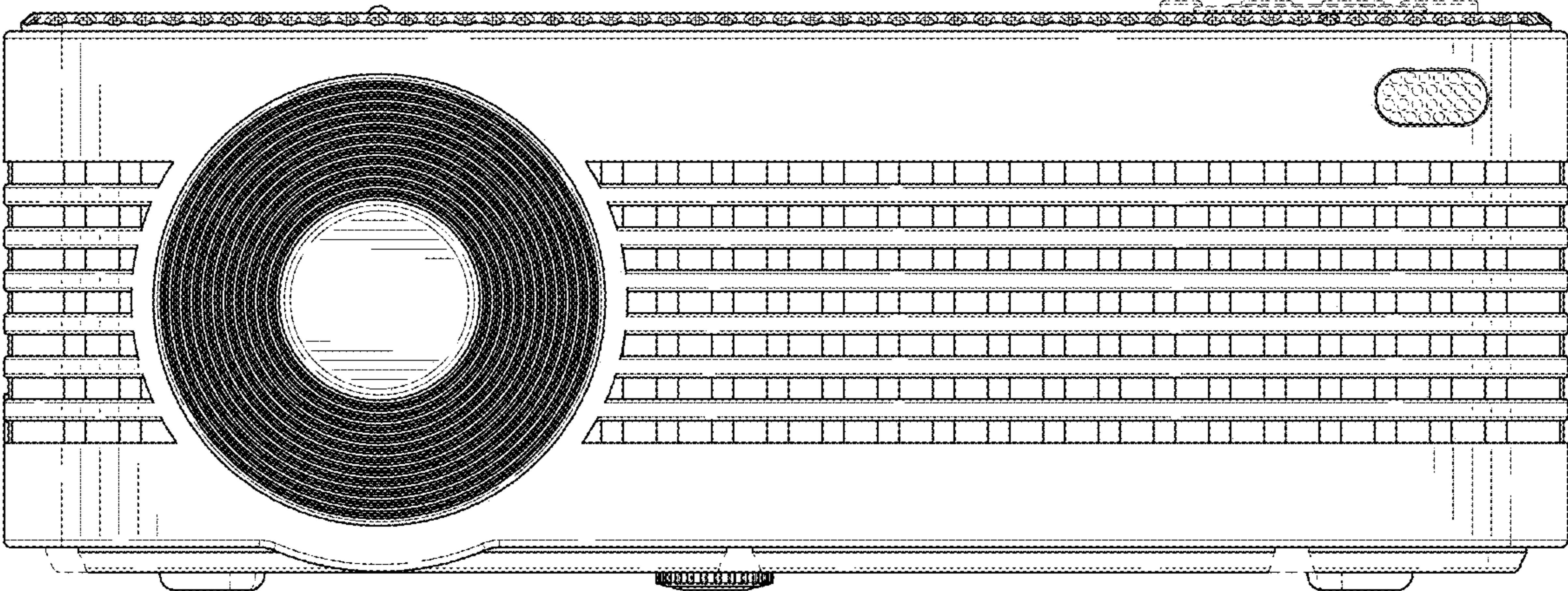


FIG. 3

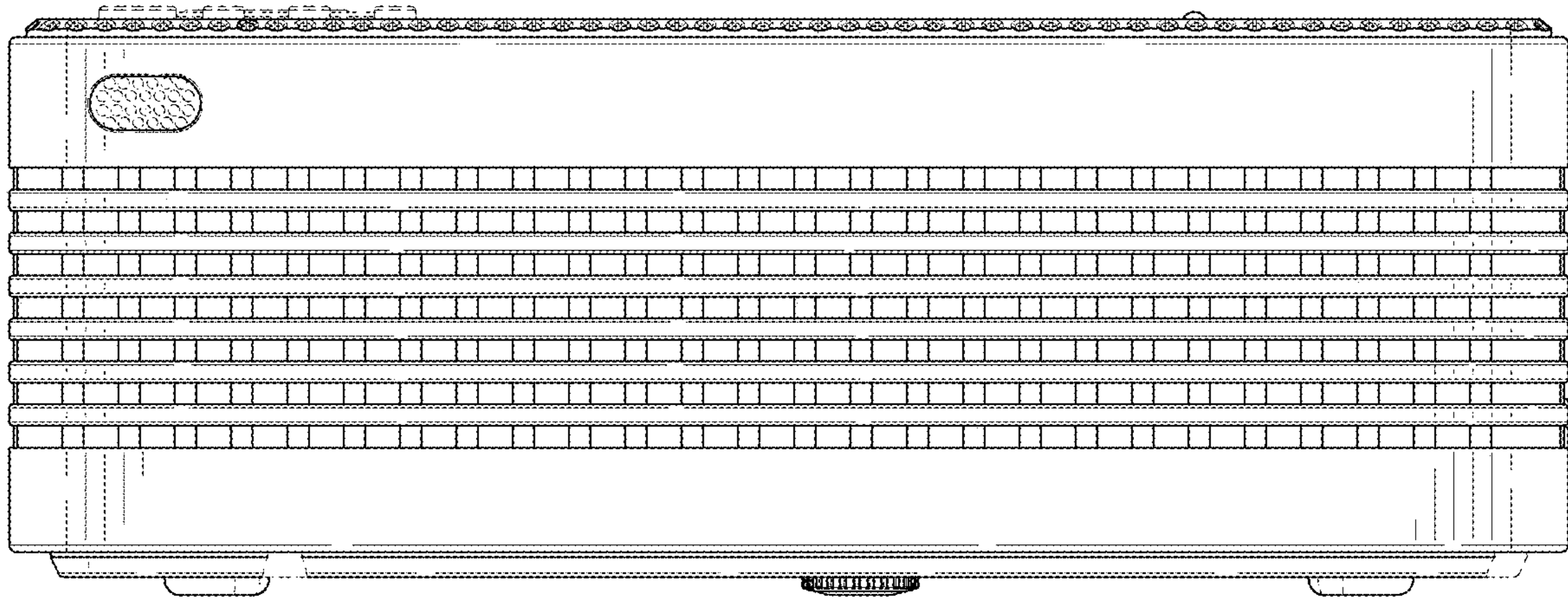


FIG. 4

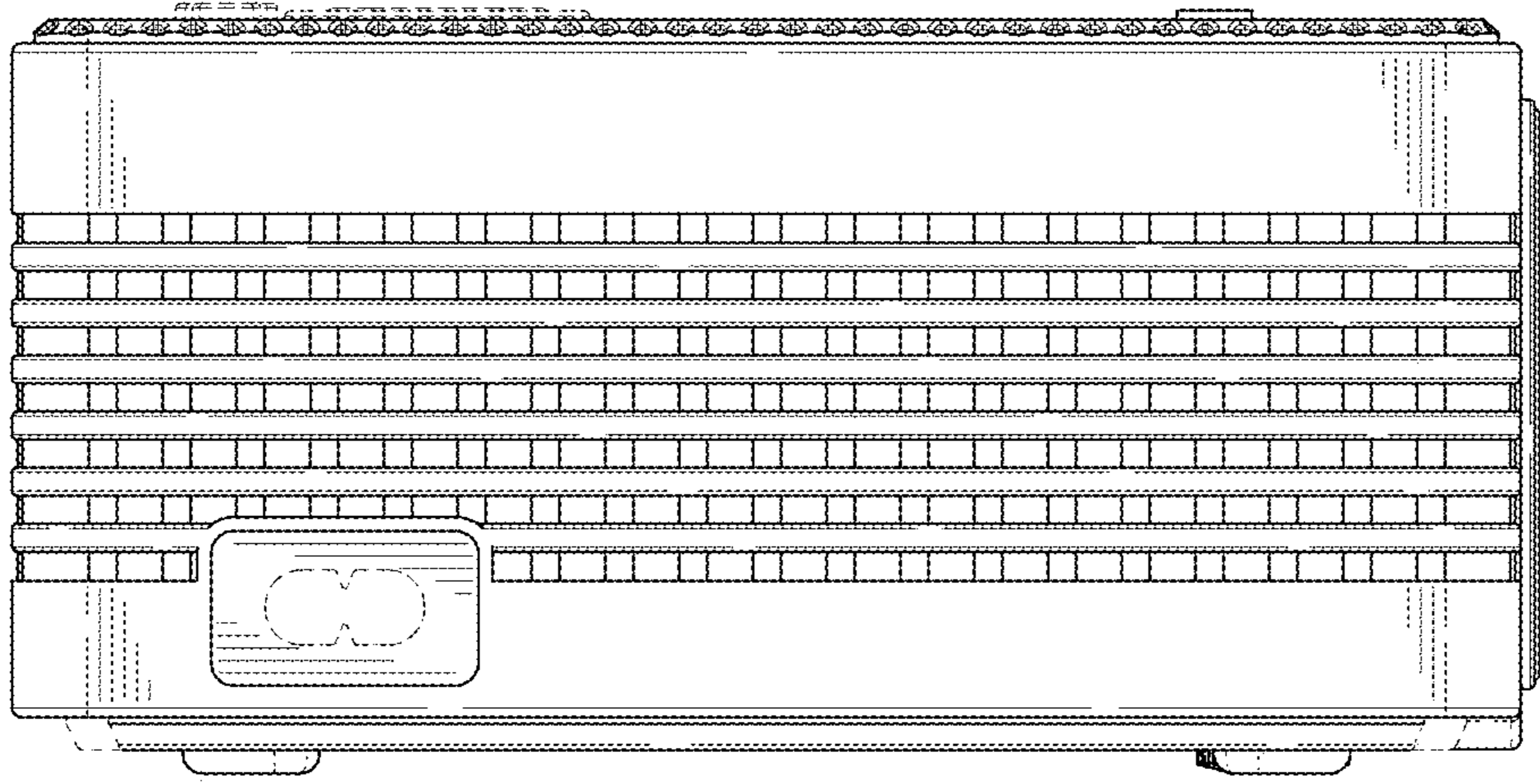


FIG. 5

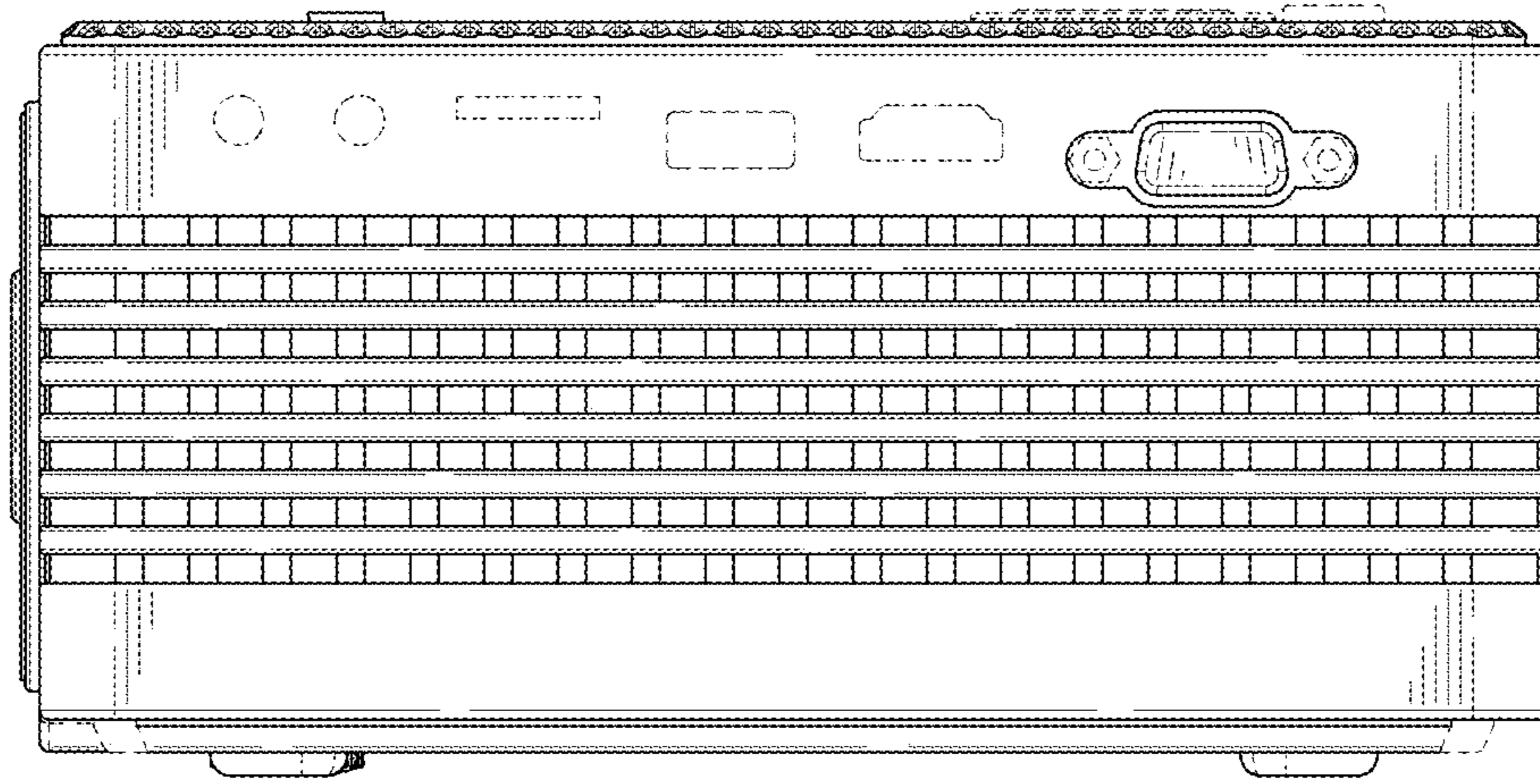


FIG. 6

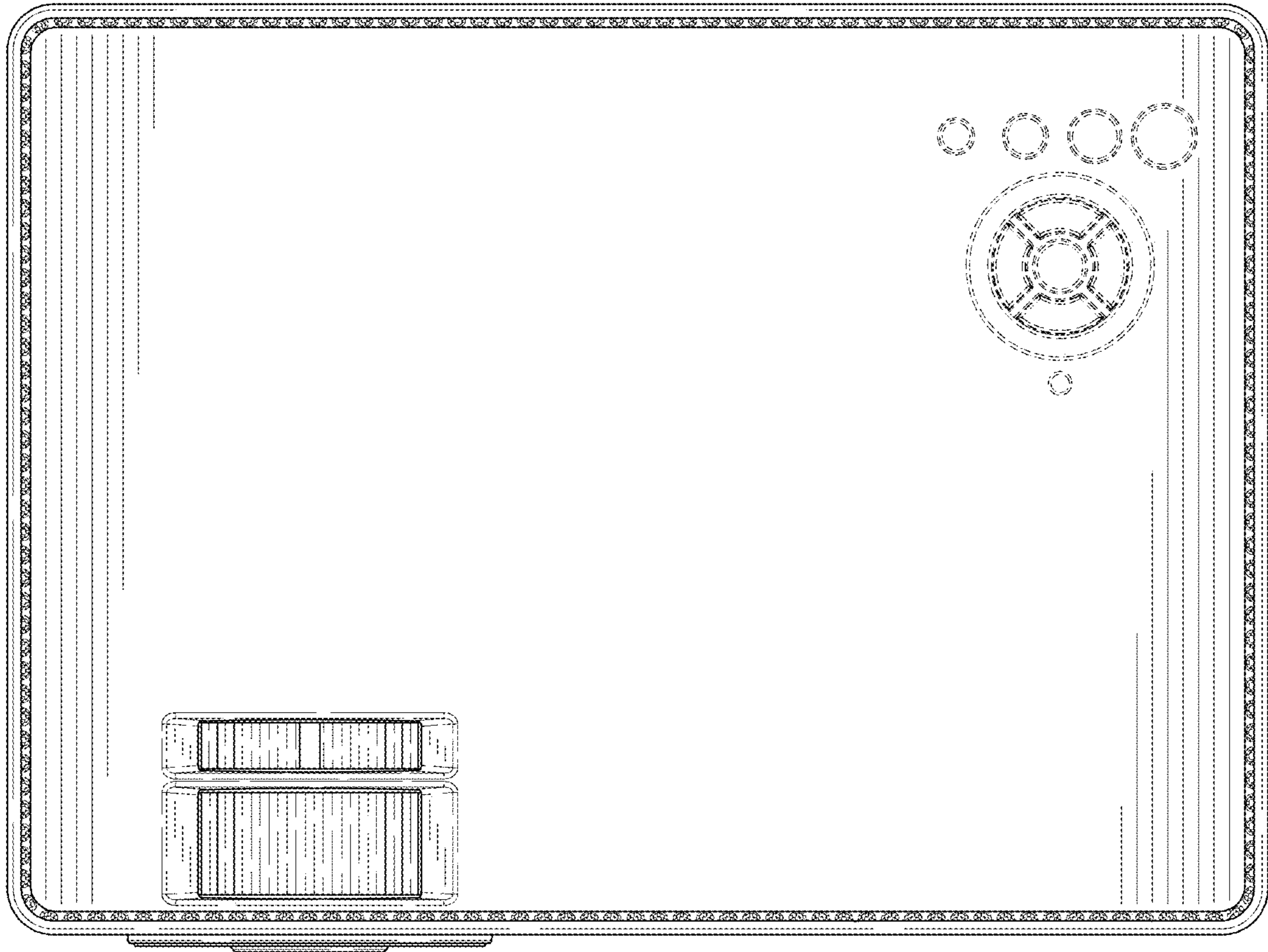


FIG. 7



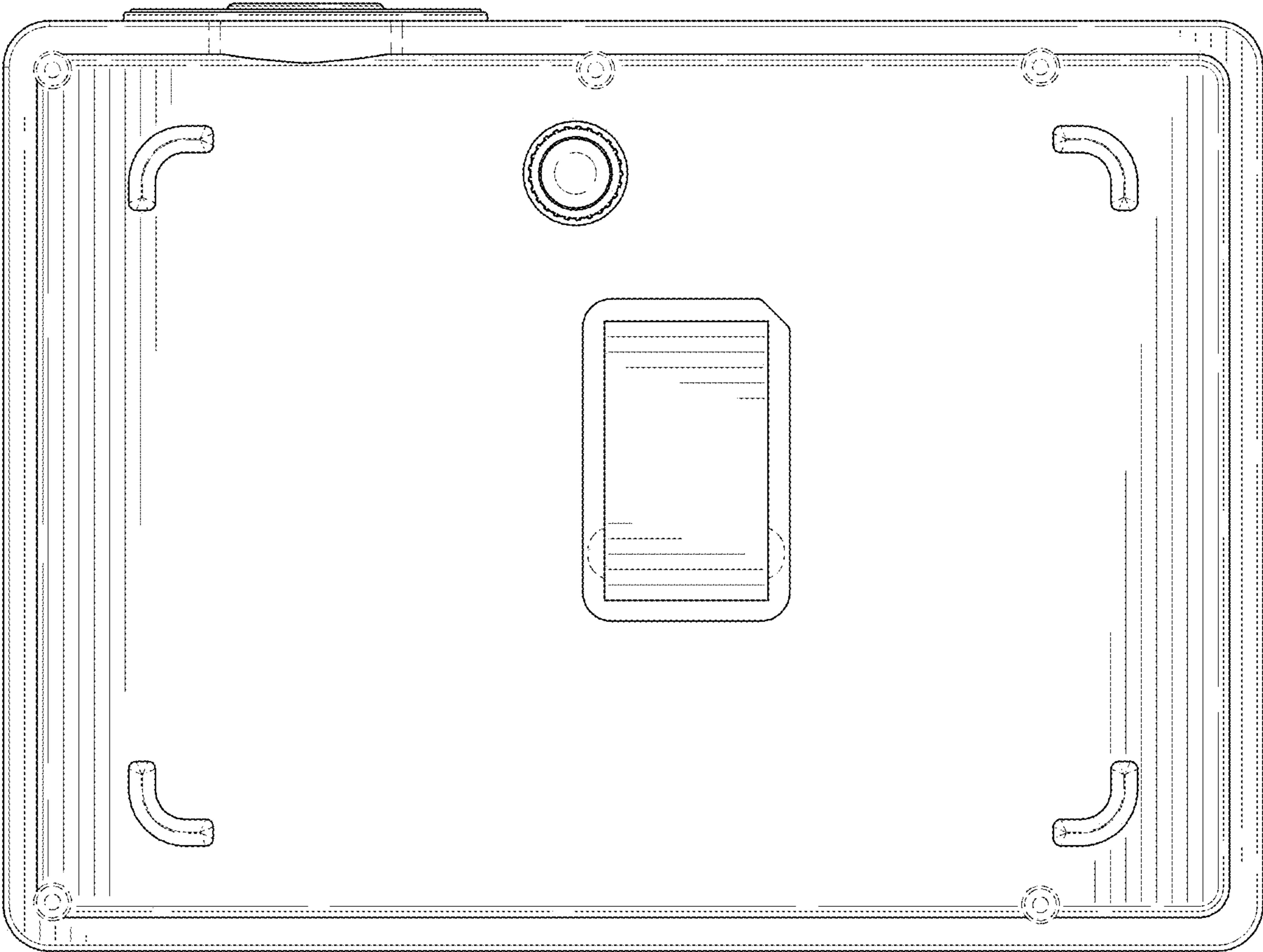


FIG. 8

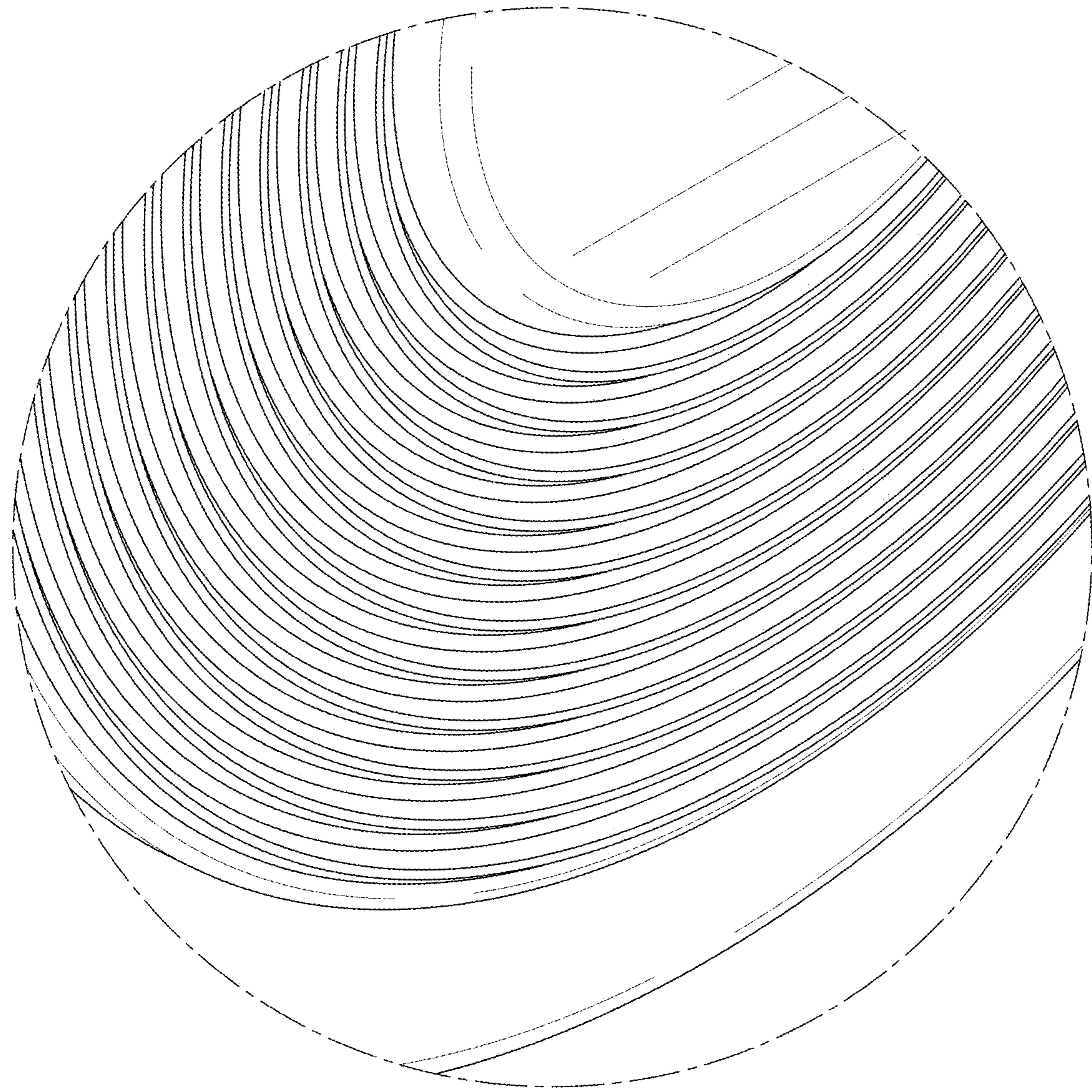


FIG. 9

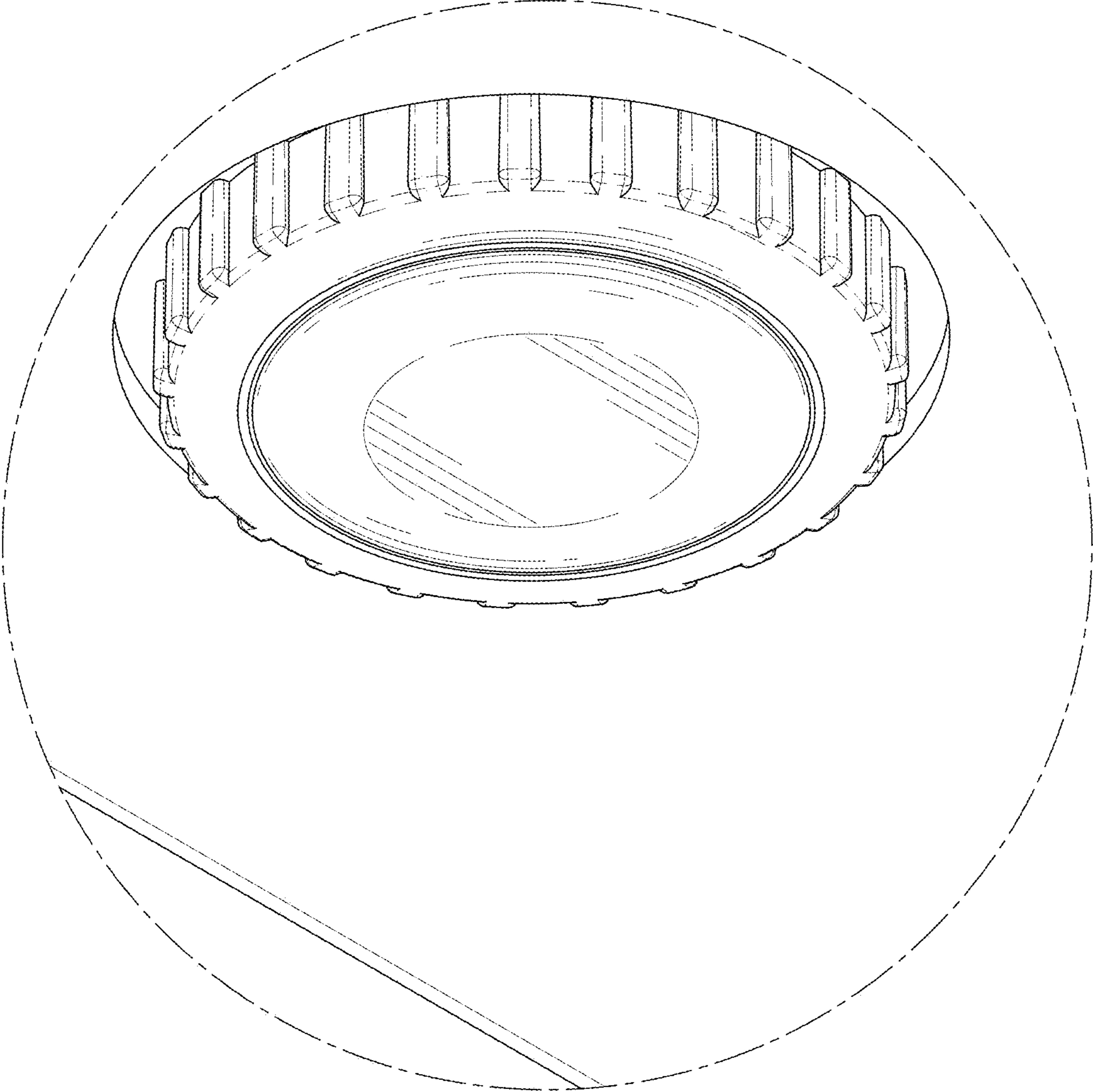


FIG. 10