



US00D956852S

(12) **United States Design Patent**  
**Kitade**

(10) **Patent No.:** **US D956,852 S**

(45) **Date of Patent:** **\*\* Jul. 5, 2022**

(54) **DIGITAL CAMERA**

(71) Applicant: **Panasonic Intellectual Property Management Co., Ltd., Osaka (JP)**

(72) Inventor: **Katsuhiko Kitade, Kyoto (JP)**

(73) Assignee: **PANASONIC INTELLECTUAL PROPERTY MANAGEMENT CO., LTD., Osaka (JP)**

(\*\*) Term: **15 Years**

(21) Appl. No.: **29/683,103**

(22) Filed: **Mar. 11, 2019**

(30) **Foreign Application Priority Data**

Sep. 18, 2018 (JP) ..... 2018-020166

(51) **LOC (13) Cl.** ..... **16-05**

(52) **U.S. Cl.**  
USPC ..... **D16/219**

(58) **Field of Classification Search**

USPC ..... D16/200, 202–206, 208, 209, 218, 219;  
348/294, 373–376; 359/826; 396/6, 301,  
396/529, 535, 539–541

CPC ..... G03B 15/03; G03B 17/02; G03B 17/04;  
G03B 17/08; G03B 17/56; G03B 19/04;  
H04N 5/2251; H04N 5/2252; H04N  
5/2253; H04N 5/2254; H04N 2101/00

See application file for complete search history.

(56) **References Cited**

**U.S. PATENT DOCUMENTS**

D701,257 S \* 3/2014 Ogawa ..... D16/202  
D720,787 S 1/2015 Tainaka  
D724,130 S 3/2015 Ham  
D727,990 S 4/2015 Sakai  
D732,099 S 6/2015 Nagaoka et al.  
D754,772 S 4/2016 Nohara  
D755,273 S 5/2016 Baba et al.

D776,185 S 1/2017 Nohara  
D777,233 S 1/2017 Sakai  
D791,210 S \* 7/2017 Mori ..... D16/202  
D816,146 S 4/2018 Nikaido et al.  
D855,679 S \* 8/2019 Takagi ..... D16/219  
D856,395 S \* 8/2019 Takagi ..... D16/219  
D872,163 S \* 1/2020 Imai ..... D16/219

(Continued)

**FOREIGN PATENT DOCUMENTS**

JP D1573659 4/2017  
JP D1573871 4/2017

*Primary Examiner* — Ramzi Almatrahi

(74) *Attorney, Agent, or Firm* — Crowell & Moring LLP

(57) **CLAIM**

I claim the ornamental design for a digital camera, as shown and described.

**DESCRIPTION**

FIG. 1 is a top, rear and right side perspective view of a digital camera showing the new design;

FIG. 2 is a bottom, rear and left side perspective view thereof;

FIG. 3 is a front elevation view thereof;

FIG. 4 is a rear elevation view thereof;

FIG. 5 is a left side elevation view thereof;

FIG. 6 is a right side elevation view thereof;

FIG. 7 is a top plan view thereof;

FIG. 8 is a bottom plan view thereof;

FIG. 9 is a bottom, rear and left side perspective view thereof; shown with the display screen in an alternate configuration;

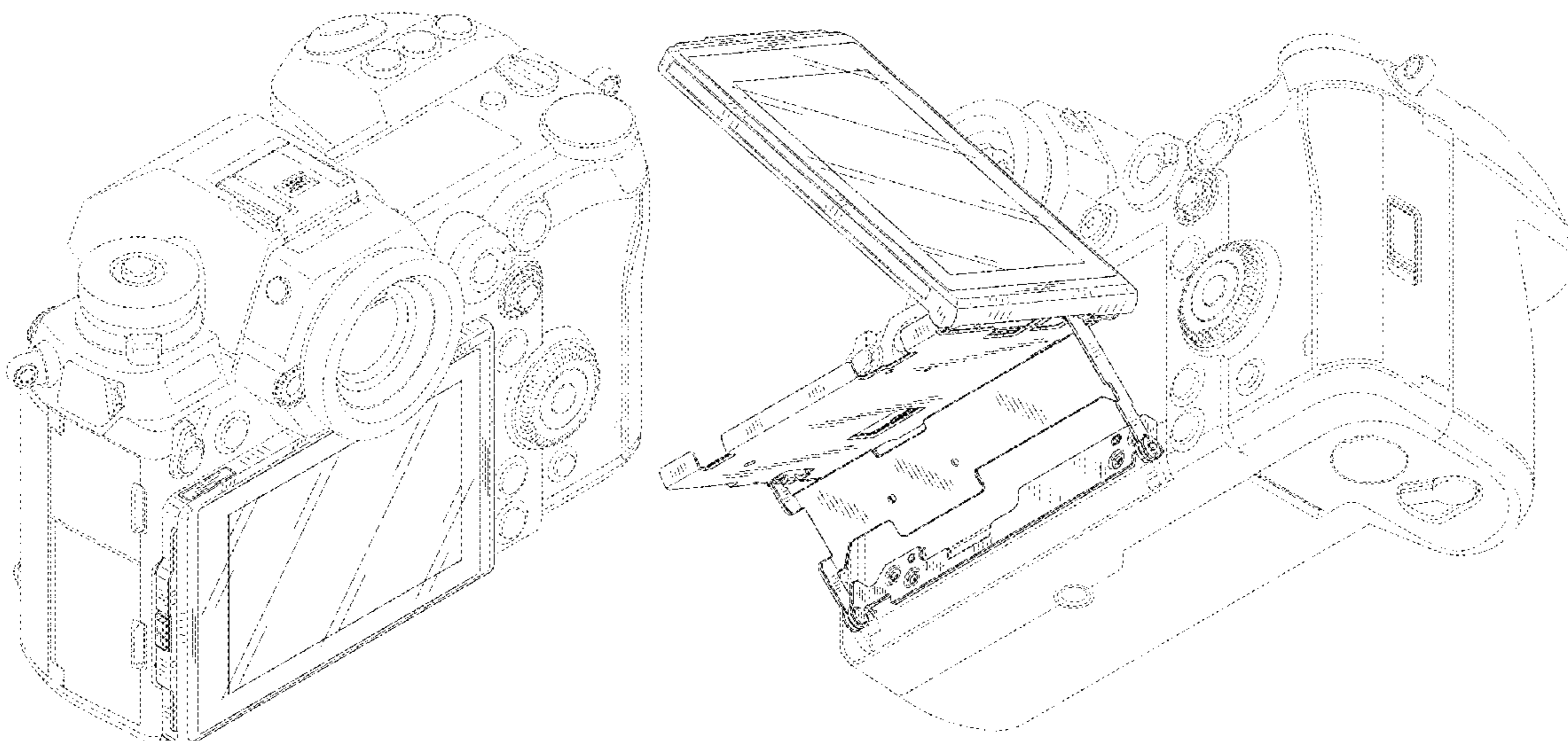
FIG. 10 is a rear elevation view thereof;

FIG. 11 is a right side elevation view thereof; and,

FIG. 12 is a top plan view thereof.

The broken lines depict portions of the digital camera in which the design is embodied that form no part of the claimed design.

**1 Claim, 12 Drawing Sheets**



(56)

**References Cited**

U.S. PATENT DOCUMENTS

2015/0107051 A1\* 4/2015 Sakai ..... G03B 17/02  
16/221  
2017/0078535 A1\* 3/2017 Akiyama ..... H04N 5/225251

\* cited by examiner

FIG. 1

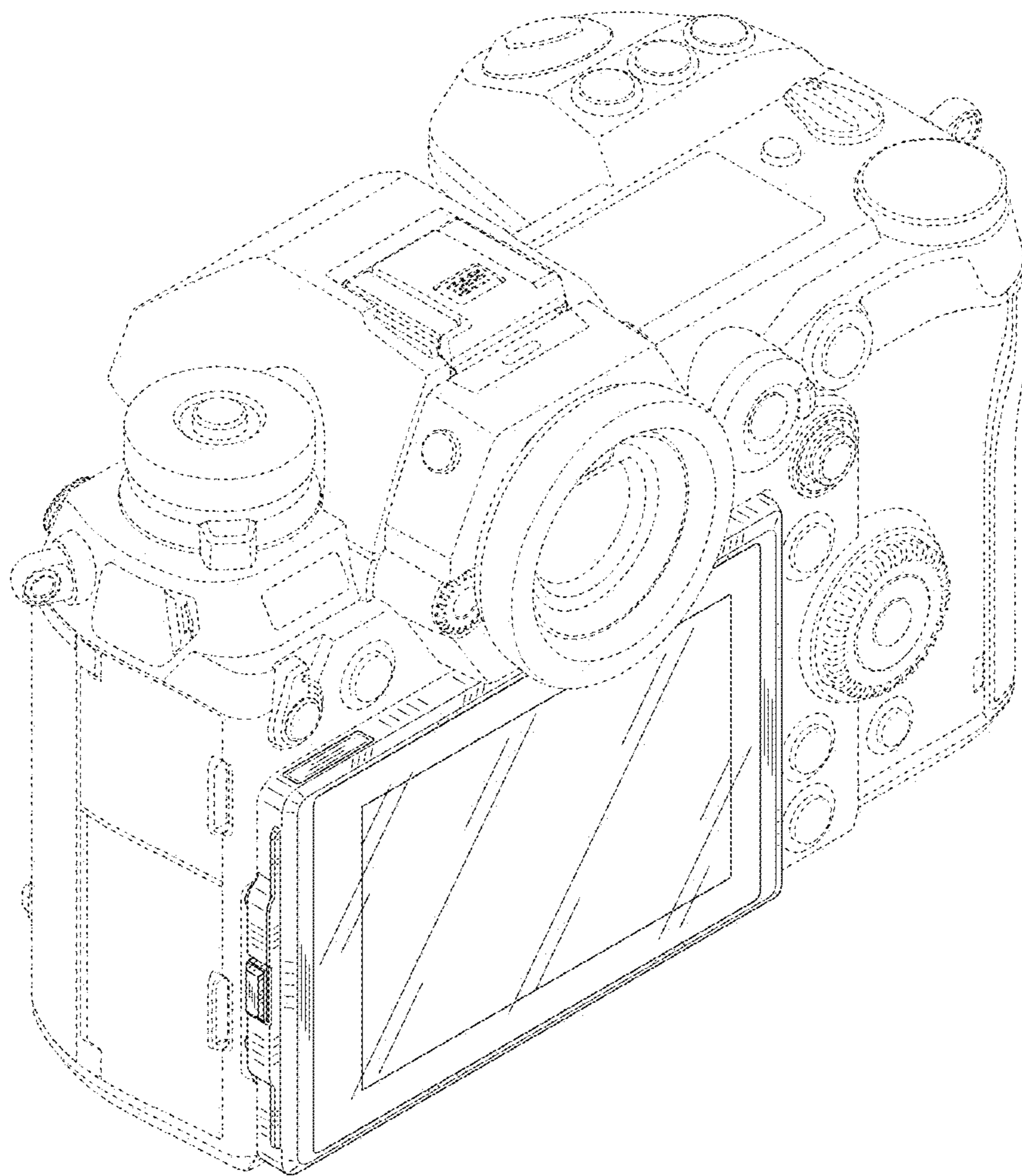


FIG. 2

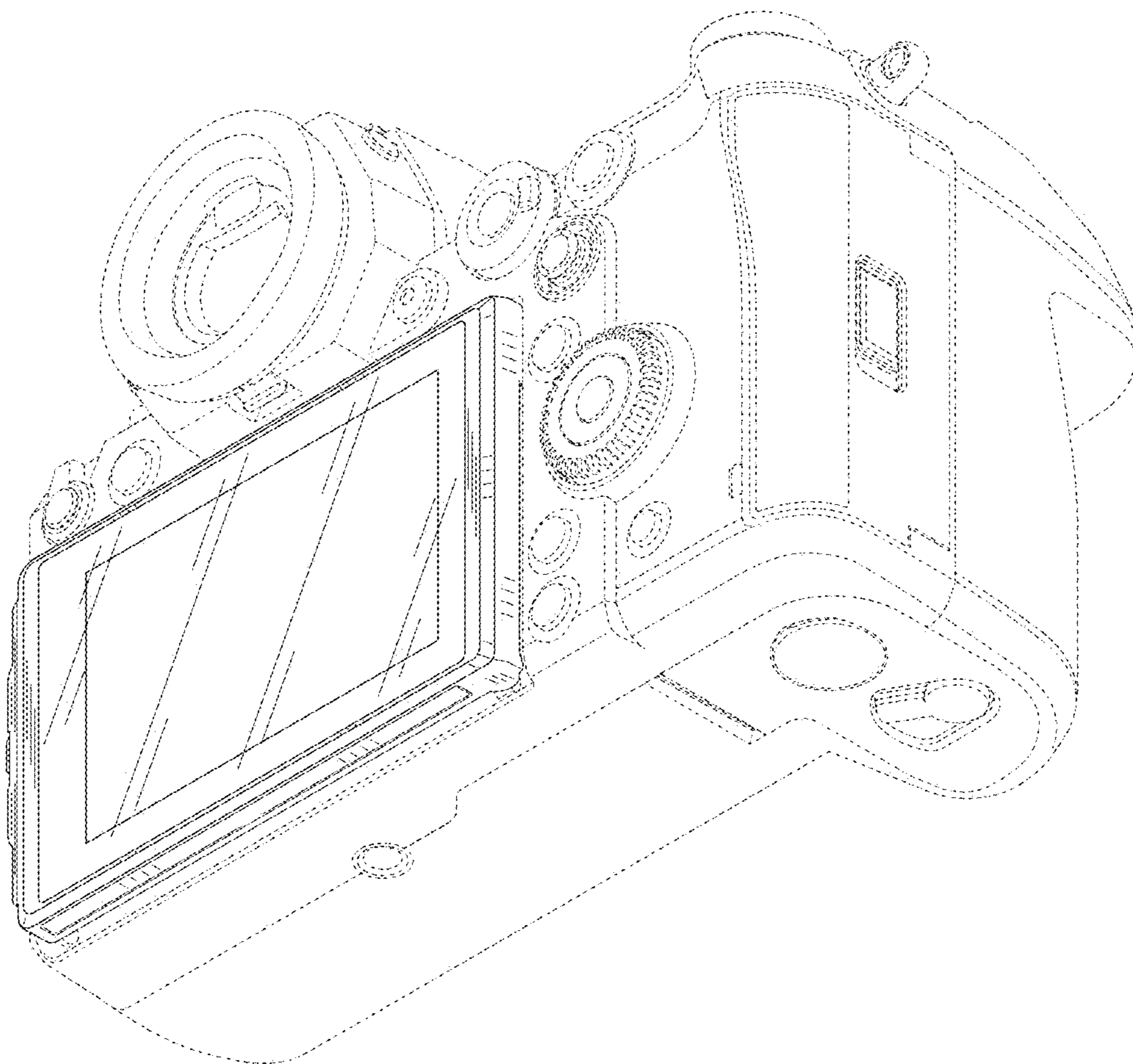


FIG. 3

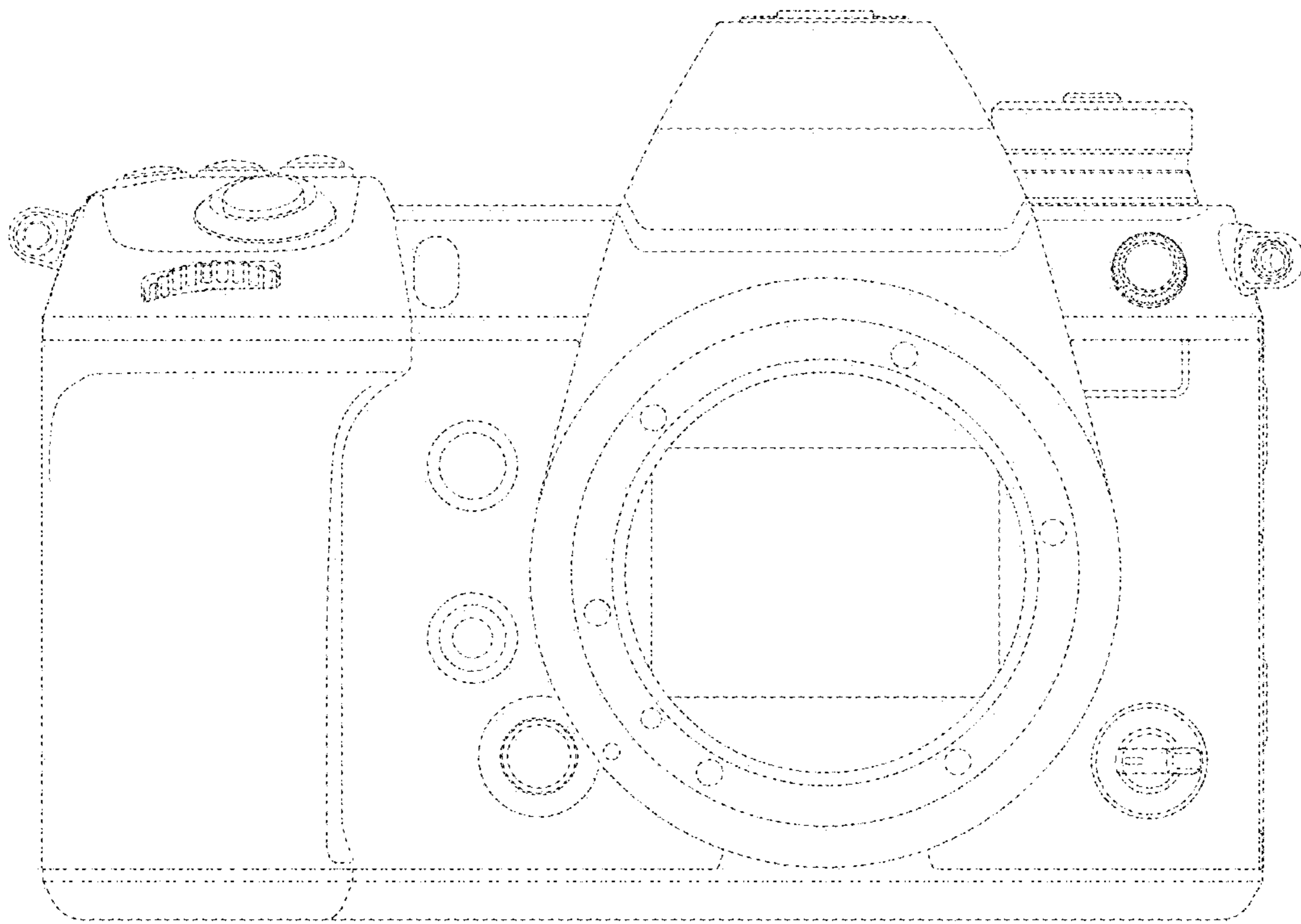


FIG. 4

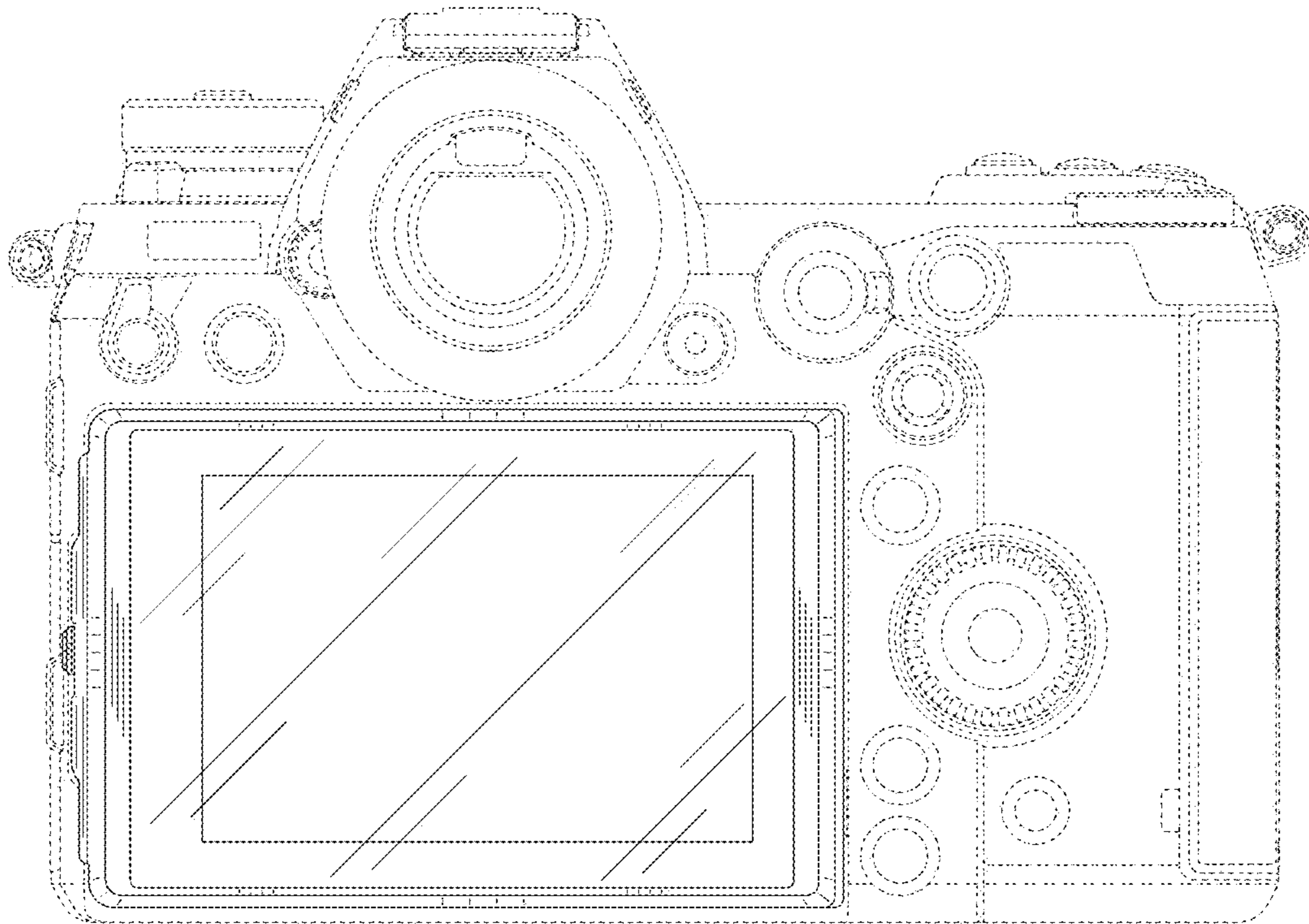


FIG. 5

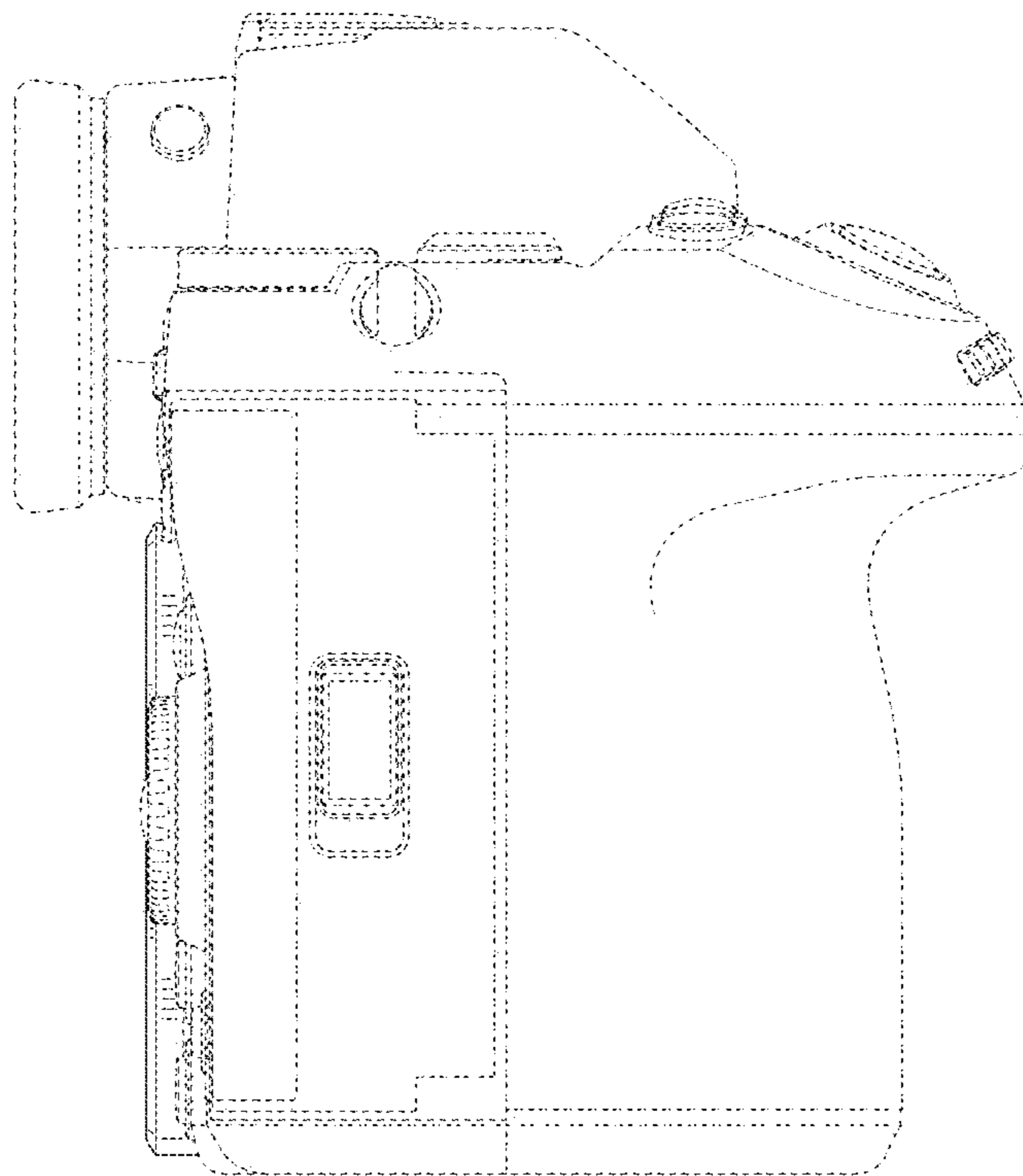


FIG. 6

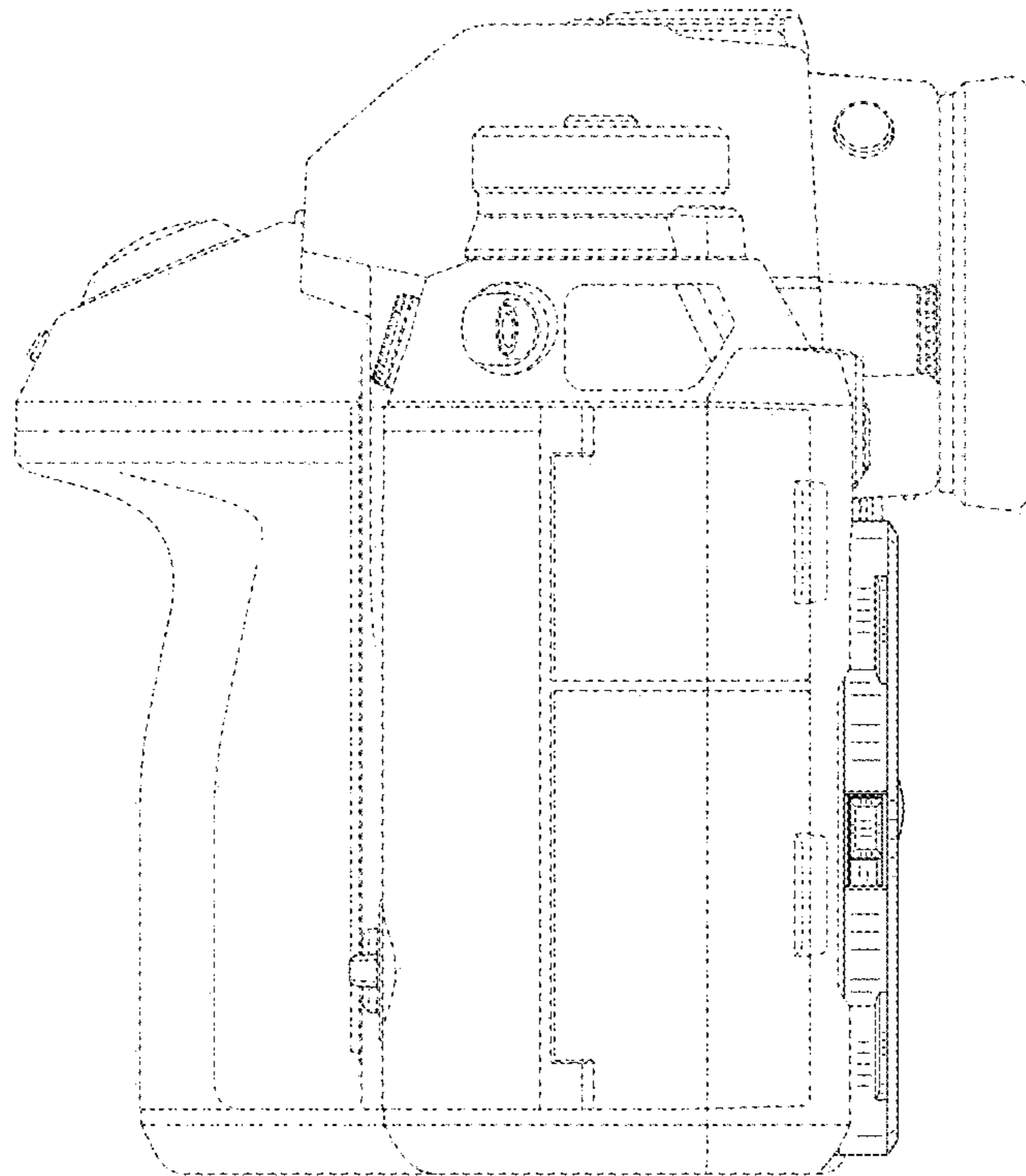




FIG. 7

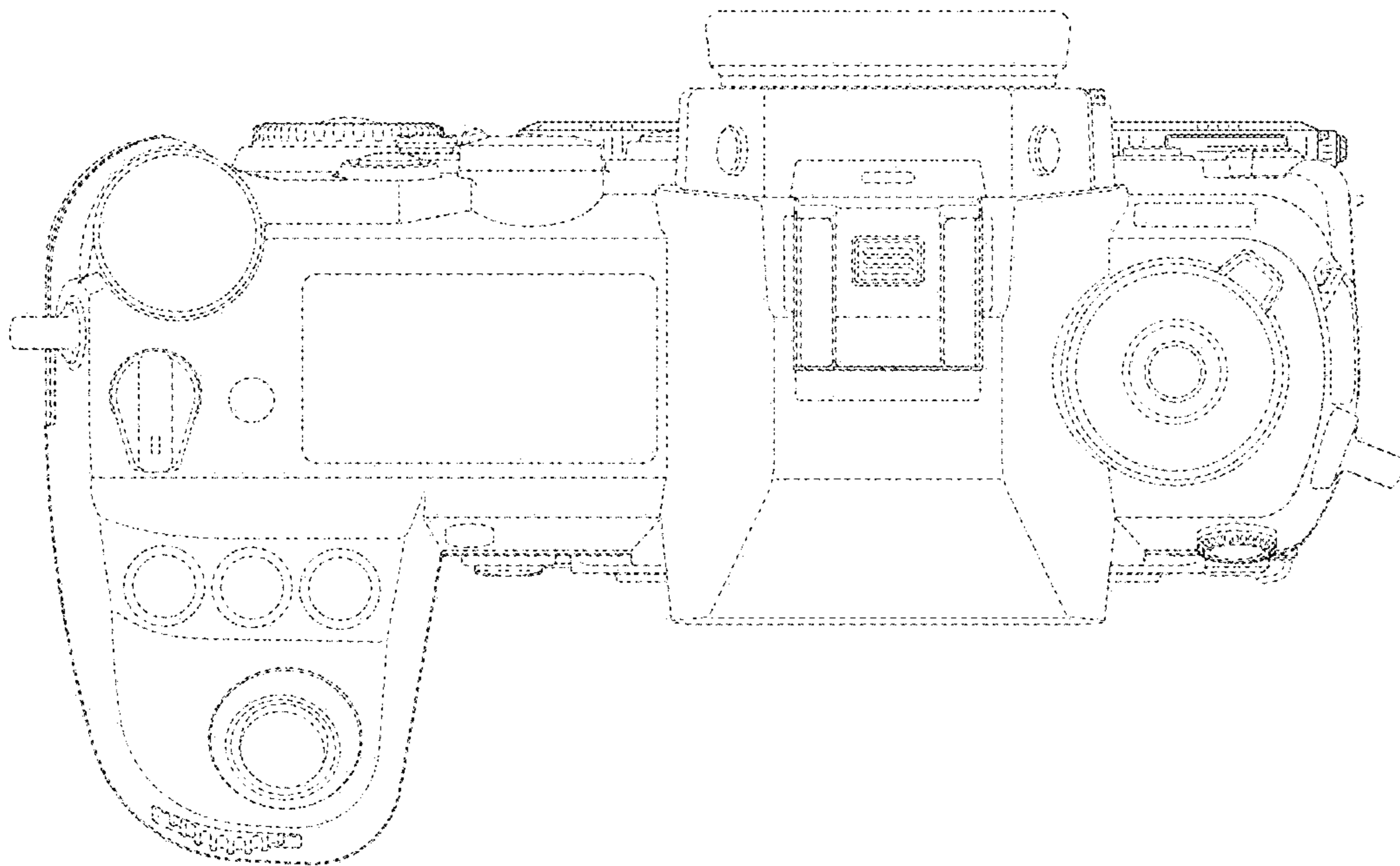


FIG. 8

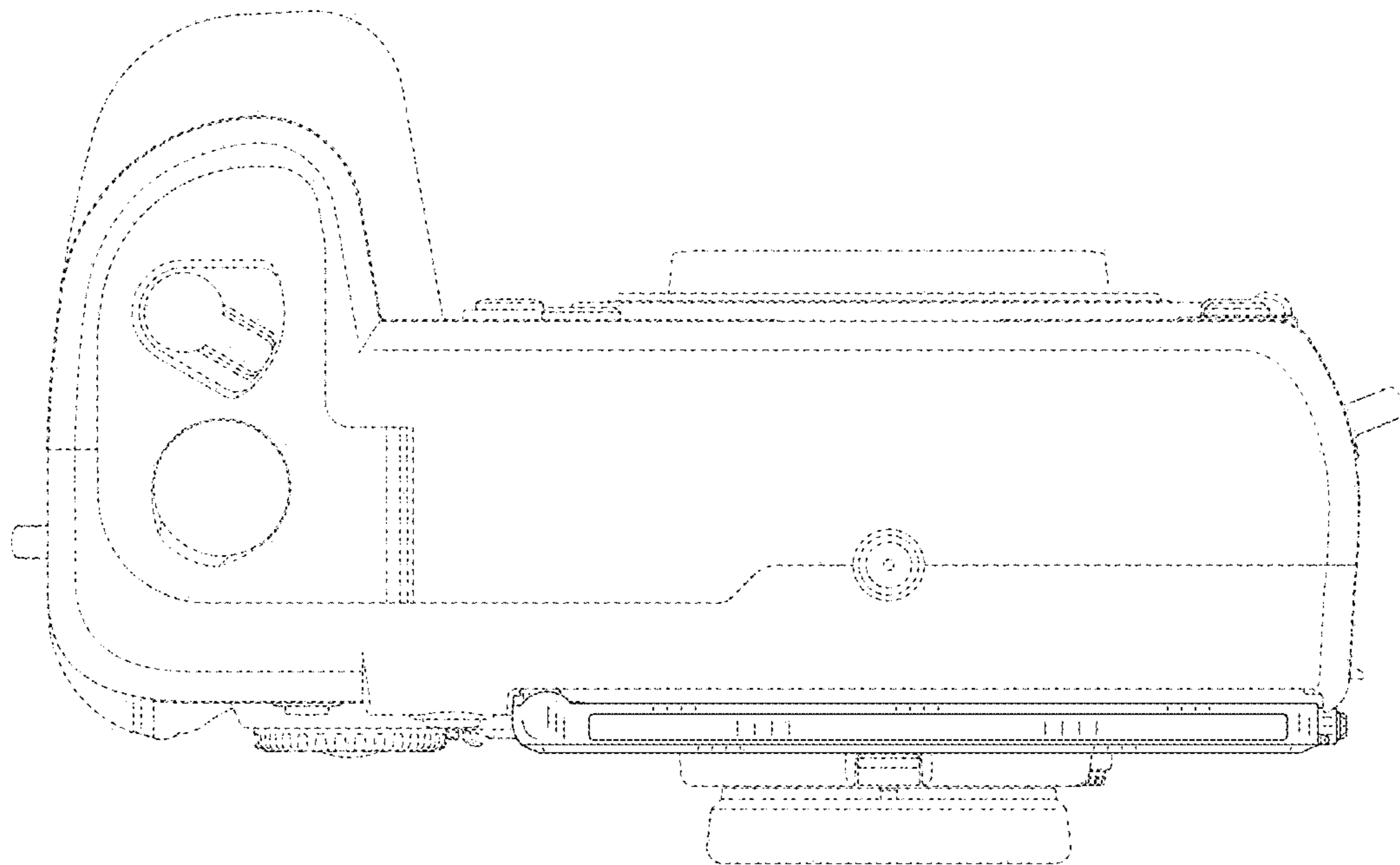


FIG. 9

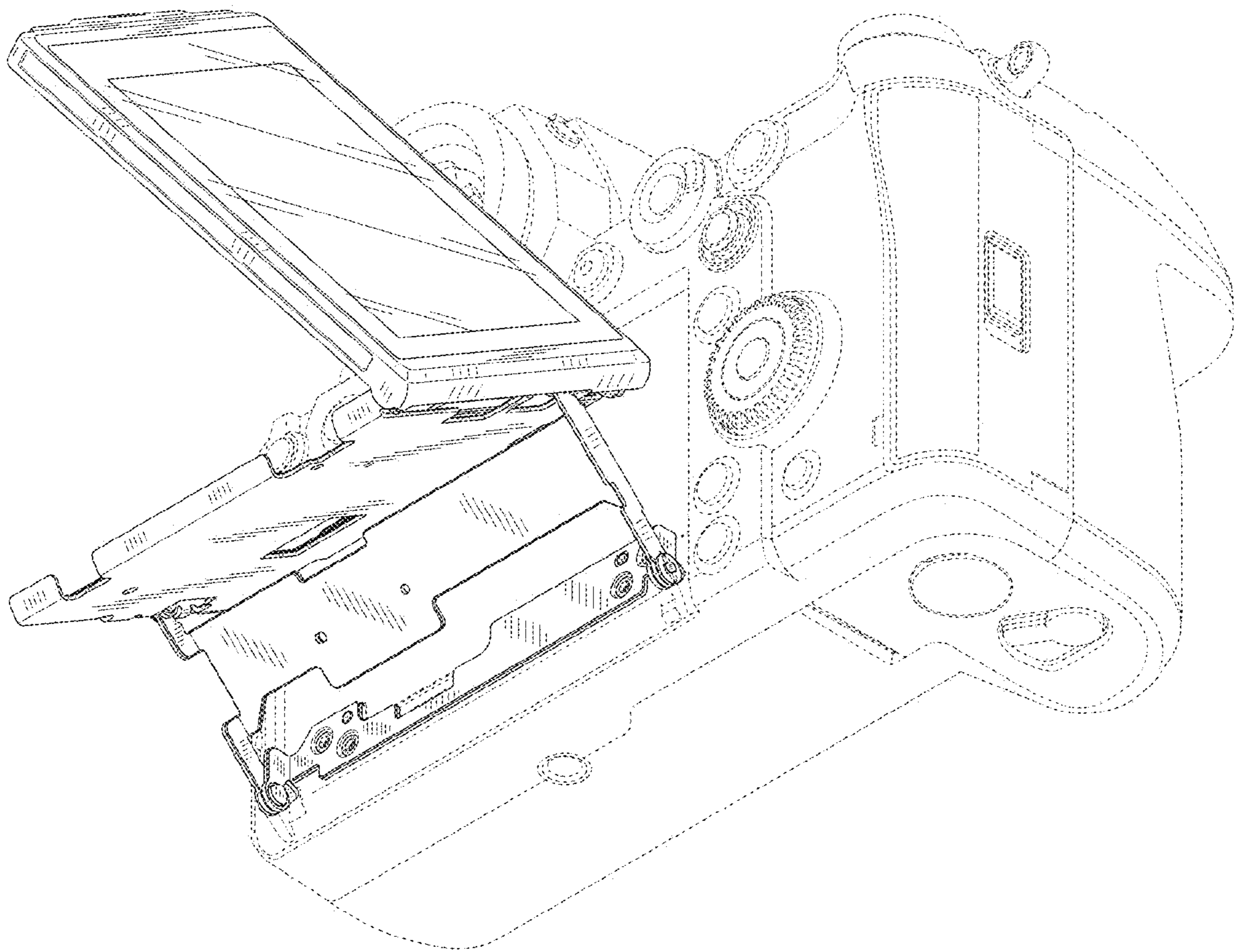


FIG. 10

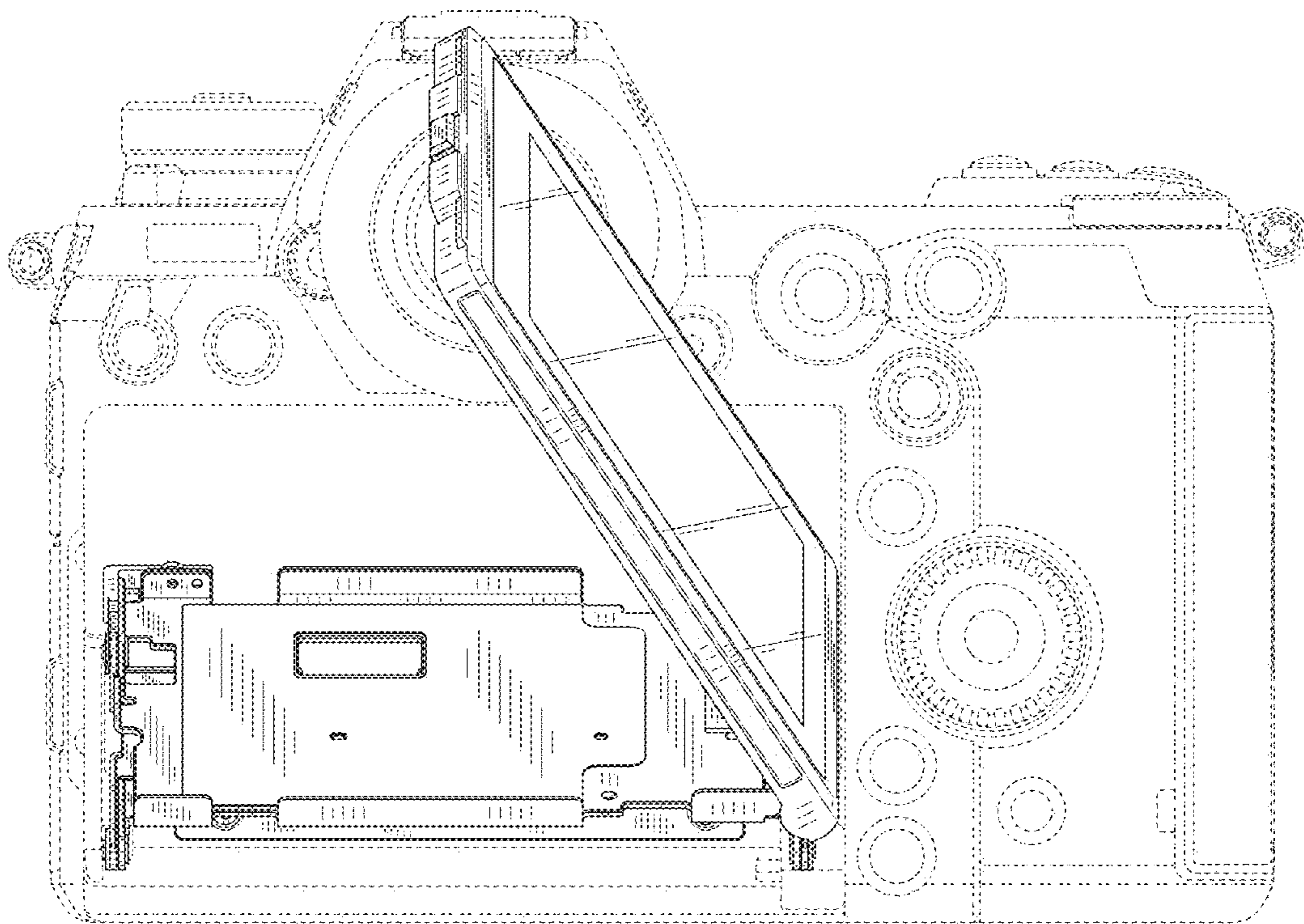


FIG. 11

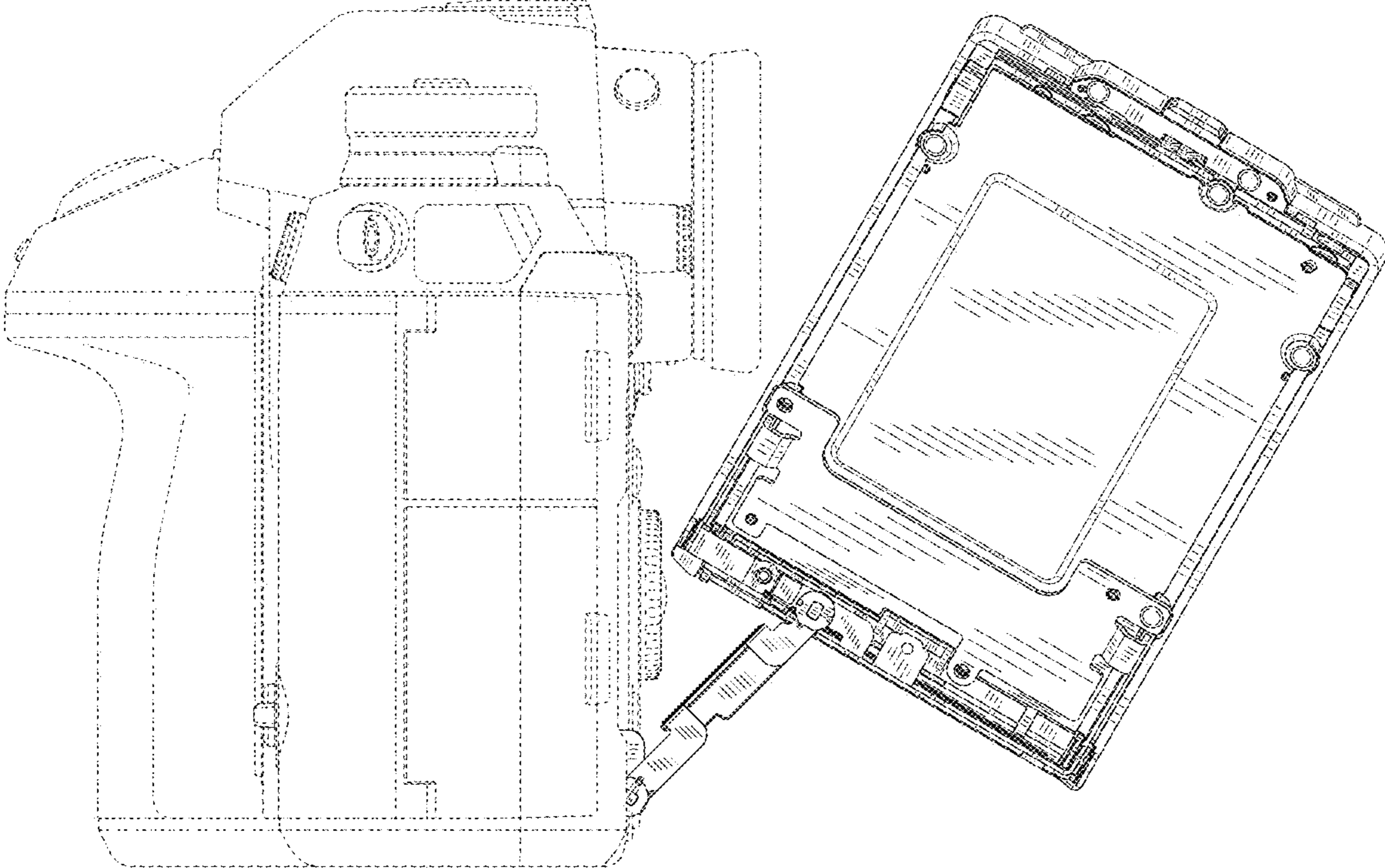


FIG. 12

