



US00D956851S

(12) **United States Design Patent**  
**Zhang**

(10) **Patent No.:** **US D956,851 S**  
(45) **Date of Patent:** **\*\* Jul. 5, 2022**

(54) **MONITORING CAMERA**

(71) Applicant: **Shenzhen Junan Technology Co., Ltd.**, Shenzhen (CN)

(72) Inventor: **Zuwen Zhang**, Shenzhen (CN)

(73) Assignee: **SHENZHEN JUNAN TECHNOLOGY CO., LTD.**, Shenzhen (CN)

(\*\*) Term: **15 Years**

(21) Appl. No.: **29/763,836**

(22) Filed: **Dec. 24, 2020**

(30) **Foreign Application Priority Data**

Dec. 15, 2020 (EM) ..... 008320600-0001

(51) **LOC (13) Cl.** ..... **16-01**

(52) **U.S. Cl.**  
USPC ..... **D16/203**

(58) **Field of Classification Search**  
USPC ..... D16/200-204, 207-208, 218-219;  
D10/46, 61, 62, 65, 70, 71, 104.1, 106.6,  
D10/106.7; D14/203.1, 204, 209.1, 496  
CPC ..... G03B 15/03; G03B 17/02; G03B 17/04;  
G03B 17/56; G03B 19/04; H04N 7/141;  
H04N 7/142; H04N 7/147; H04N 7/148;  
H04N 7/15; H04N 7/152; H04N 5/2251;  
H04N 5/2252; H04N 5/2253; H04N  
5/2254; H04N 5/23216; H04N 5/232939;  
H04N 2101/00; H04N 2007/145  
See application file for complete search history.

(56) **References Cited**

**U.S. PATENT DOCUMENTS**

D520,548 S \* 5/2006 Tsai ..... D16/203  
D542,319 S \* 5/2007 Ishida ..... D16/202  
D626,984 S \* 11/2010 Miyaji ..... D16/202  
D673,989 S \* 1/2013 Ying ..... D16/203

(Continued)

**FOREIGN PATENT DOCUMENTS**

CN 304031393 \* 2/2017  
CN 307019772 \* 12/2021  
KR 301148994.0000 \* 2/2022

**OTHER PUBLICATIONS**

“Solar Security Camera Outdoor, Wireless WiFi 360° PTZ Camera outdoor, 15000mAh Battery Solar Powered Security Cameras with 1080P Night Vision, PIR Motion Detection, 2 Way Audio, IP65, SD/Cloud Storage” from Amazon.com, first available Jun. 11, 2021 from the internet <<https://www.amazon.com/Security-Outdoor-Wireless-15000mAh-Detection/dp/B0972KHGVG/>>.\*

(Continued)

*Primary Examiner* — Rosemary K Tarcza

*Assistant Examiner* — Lacey Chey Bowman

(74) *Attorney, Agent, or Firm* — Chun-Ming Shih;  
Lanway IPR Services

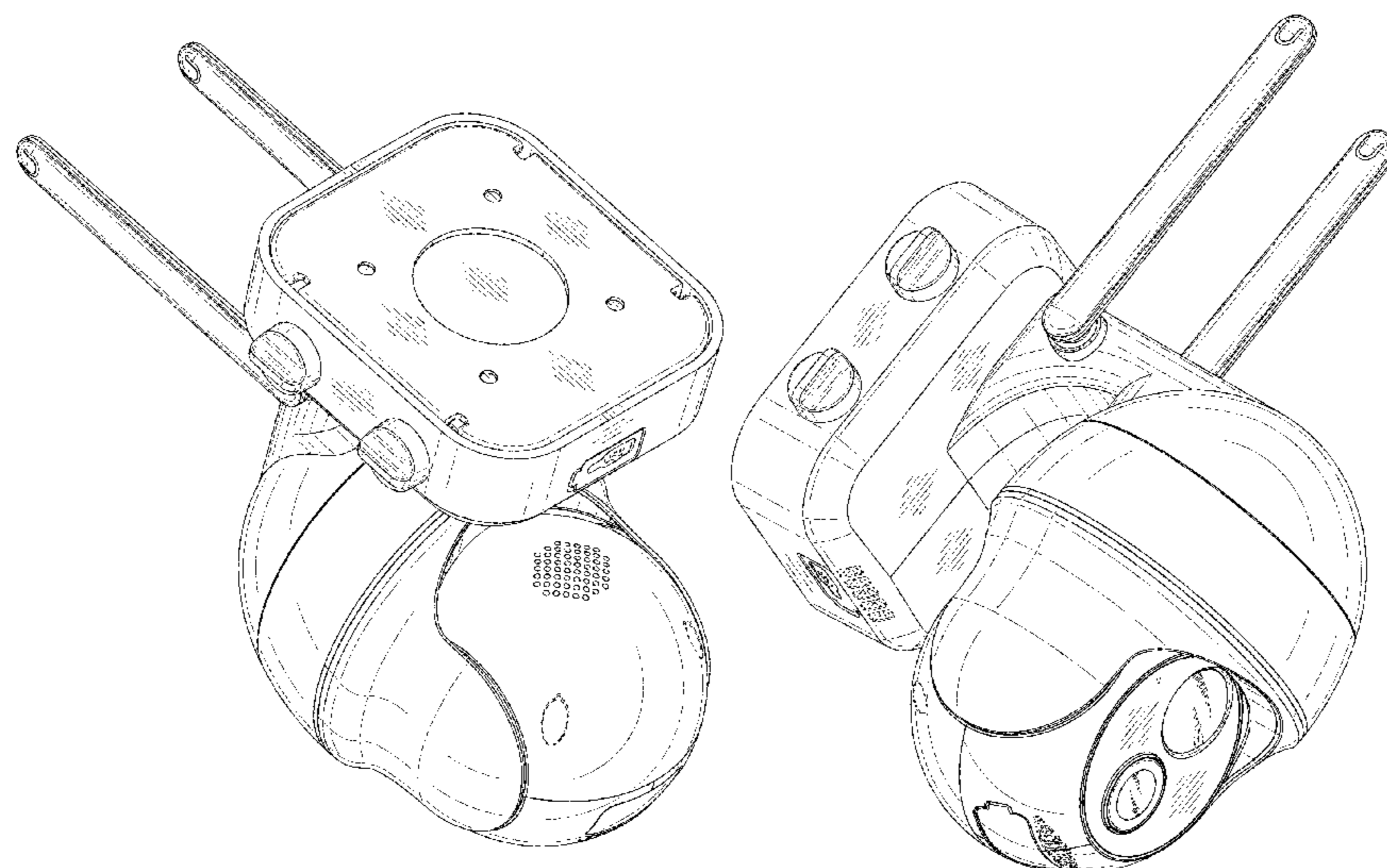
(57) **CLAIM**

The ornamental design for a monitoring camera, as shown and described.

**DESCRIPTION**

FIG. 1 is a perspective view of a monitoring camera showing the new design;  
FIG. 2 is a front view thereof;  
FIG. 3 is a rear view thereof;  
FIG. 4 is a left side elevational view thereof;  
FIG. 5 is a right side elevational view thereof;  
FIG. 6 is a top view thereof;  
FIG. 7 is a bottom view thereof;  
FIG. 8 is another perspective view thereof; and,  
FIG. 9 is still another perspective view thereof.  
The broken lines shown in the figures are for the purpose of illustrating portions of the monitoring camera, which form no part of the claimed design.

**1 Claim, 9 Drawing Sheets**



(56)

**References Cited**

## U.S. PATENT DOCUMENTS

D753,206 S \* 4/2016 Ravat ..... D16/203  
D818,026 S \* 5/2018 Ravat ..... D16/203  
D836,148 S \* 12/2018 Jeong ..... D16/203  
D866,638 S \* 11/2019 Wang ..... D16/203  
D884,769 S \* 5/2020 Katori ..... D16/203  
D898,801 S \* 10/2020 Wu ..... D16/203  
D901,571 S \* 11/2020 Liu ..... D16/203  
D924,961 S \* 7/2021 Xu ..... D16/203  
D940,226 S \* 1/2022 Wang ..... D16/203  
D942,524 S \* 2/2022 Xu ..... D16/203  
2017/0363932 A1 \* 12/2017 Lim ..... G03B 17/561

## OTHER PUBLICATIONS

“Security Camera Wireless Outdoor with 360° PTZ, Zumimall Battery Powered WiFi Camera for Home Security & Surveillance, PIR Motion Alert, 1080P Night Vision, 2-Way Audio, IP66 Waterproof, Cloud/SD Slot” from Amazon.com, first available Jan. 21, 2021 from the internet<<https://www.amazon.com/dp/B08TM9TBTW/>> (Year: 2021).\*

“Security Camera Wireless Outdoor, Pan-Tilt 2.4G WiFi Solar Security Camera, Battery Powered Surveillance Cameras for Home with Night Vision, 2-Way Audio, Motion Detection, SD Card & Cloud Storage, Codnida” from Amazon.com, first available Dec. 30, 2021 from the internet< <https://www.amazon.com/dp/B09HQC39J8/>> (Year: 2021).\*

\* cited by examiner

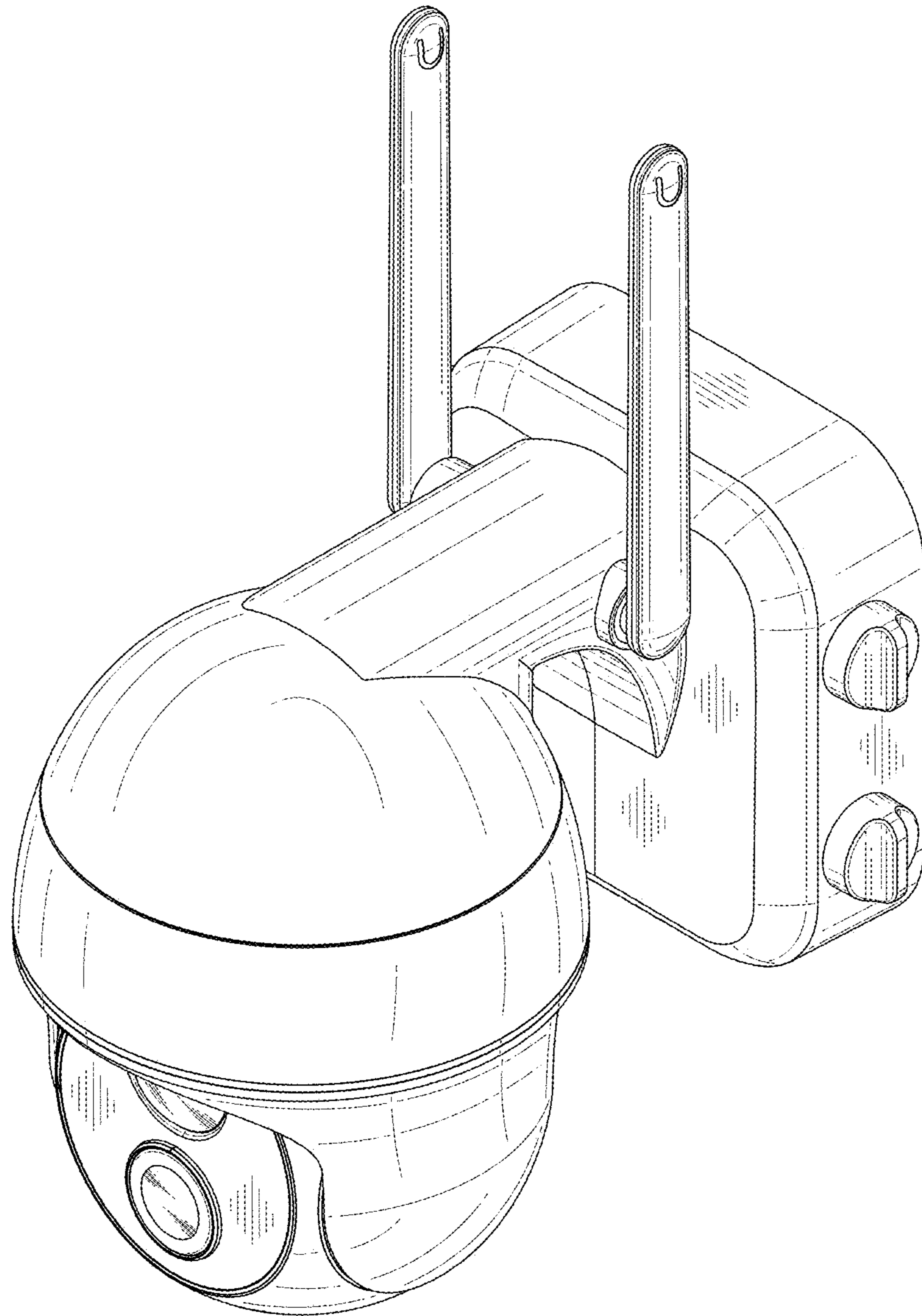


FIG.1



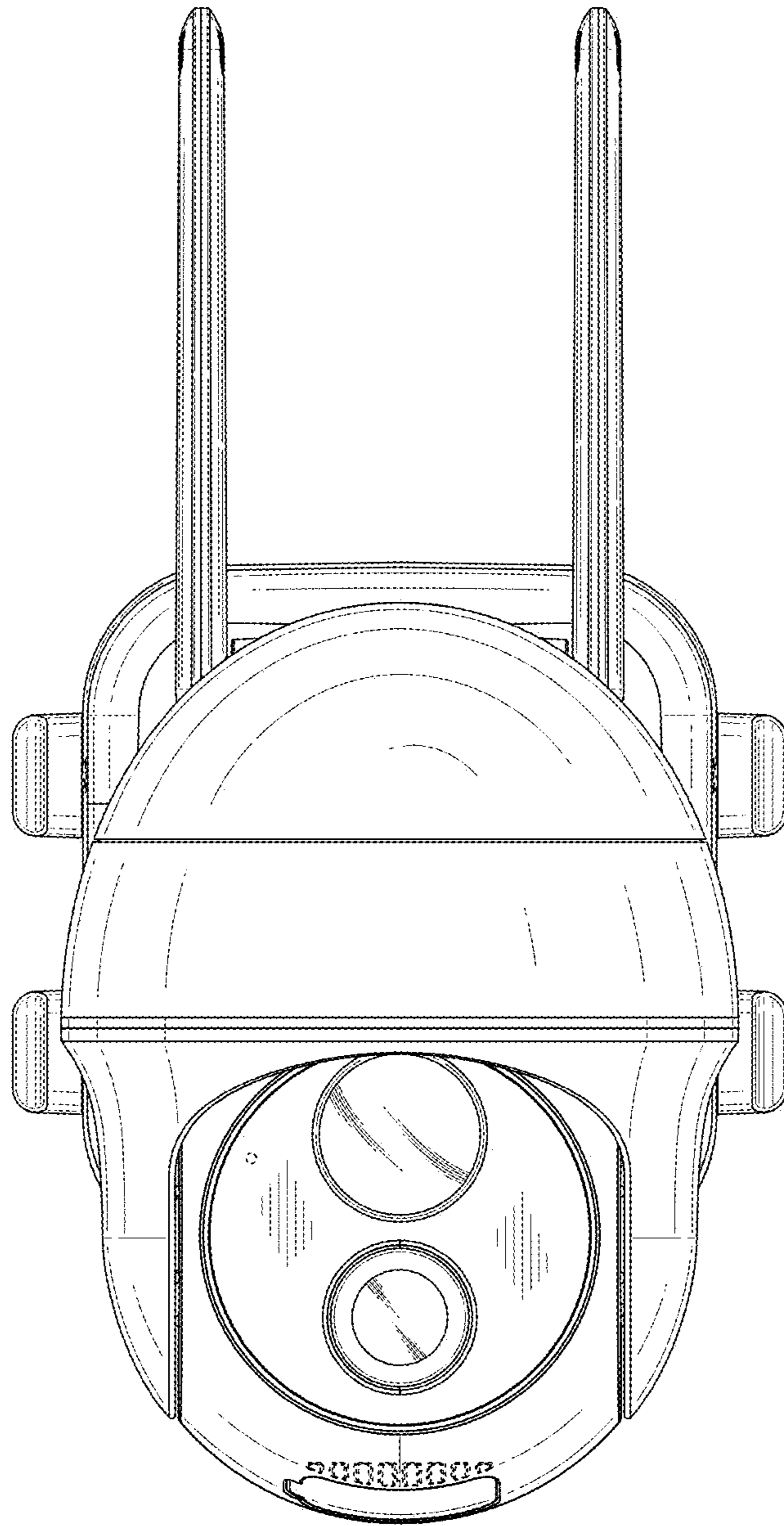


FIG.2

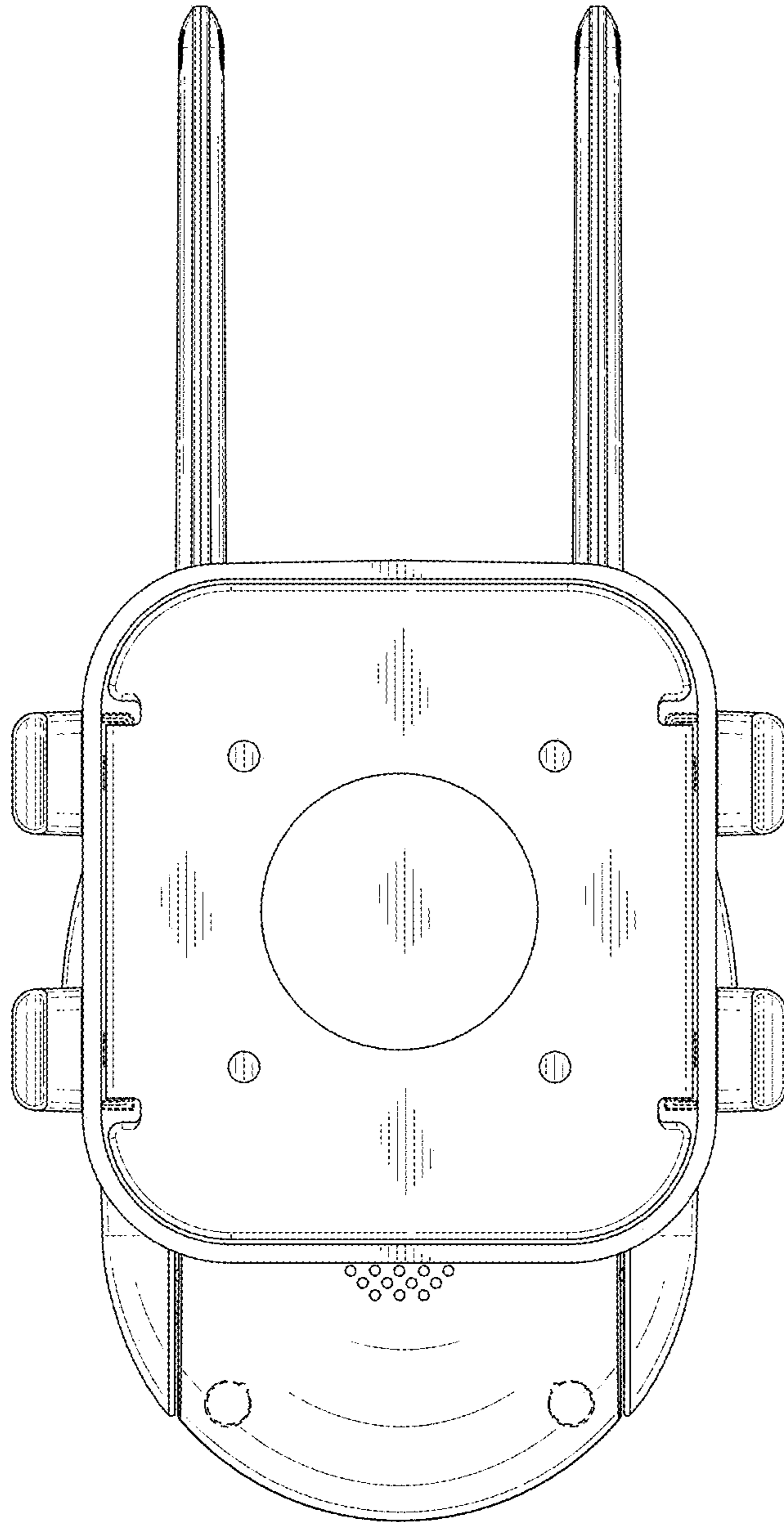


FIG.3

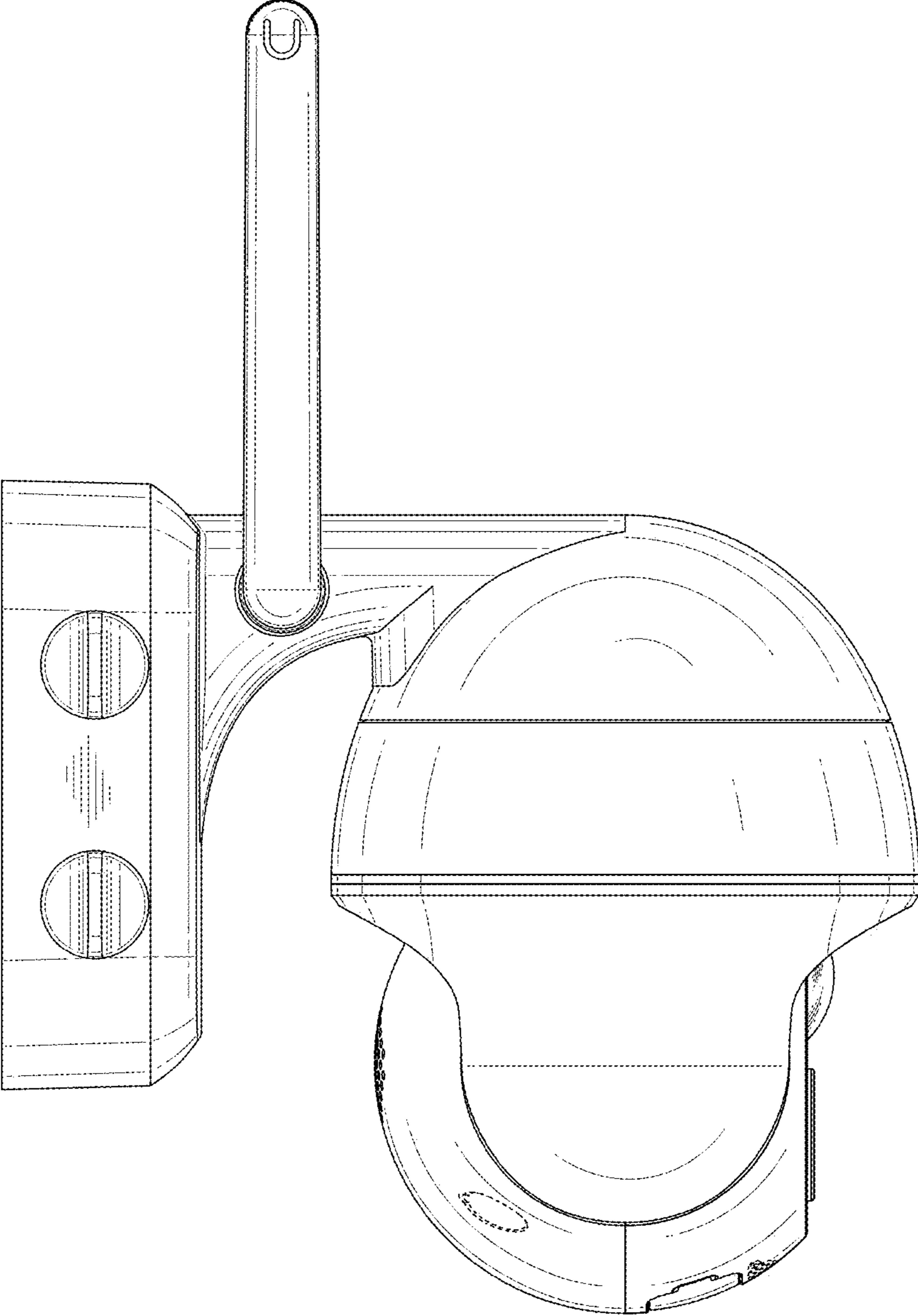


FIG.4

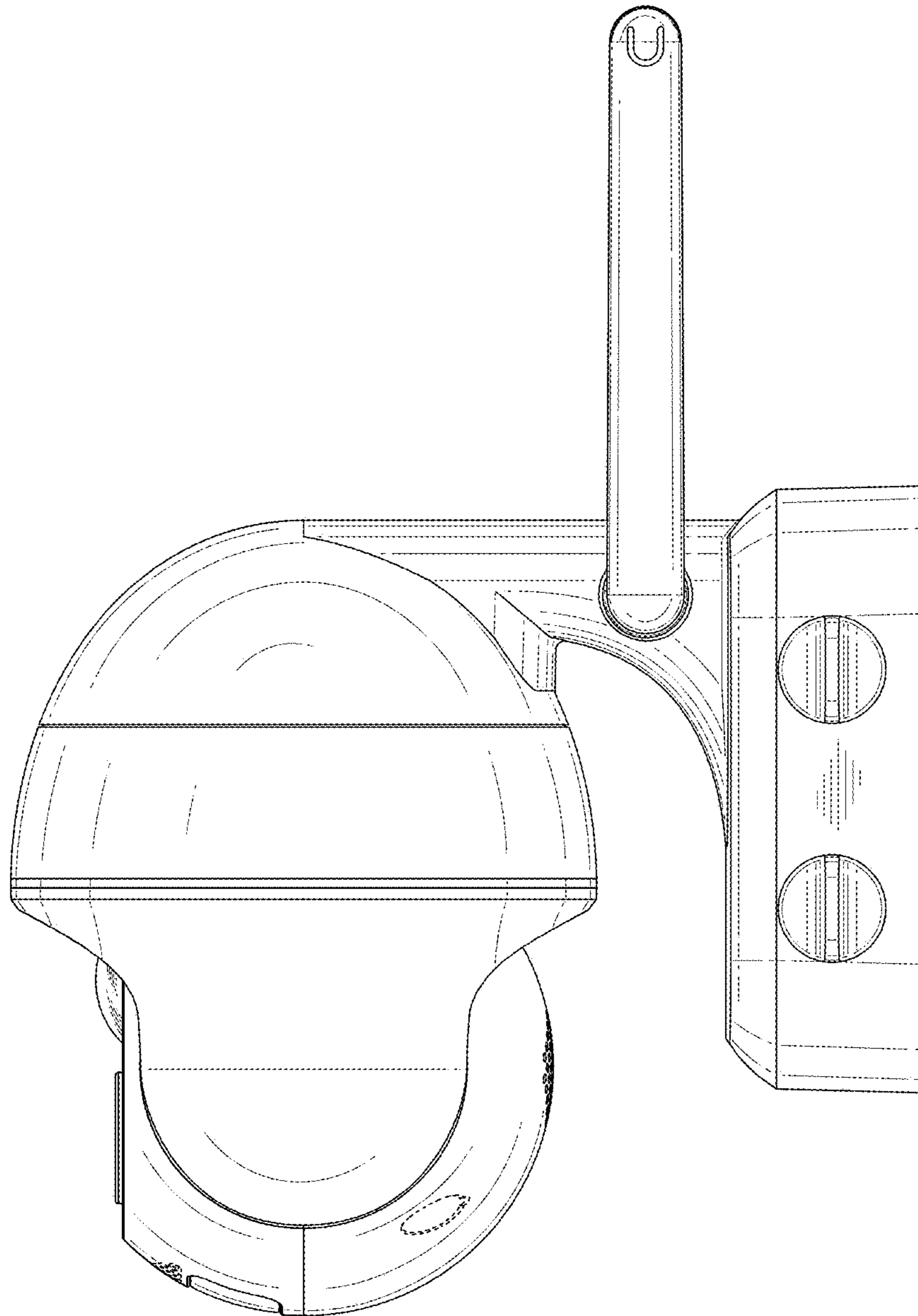


FIG.5

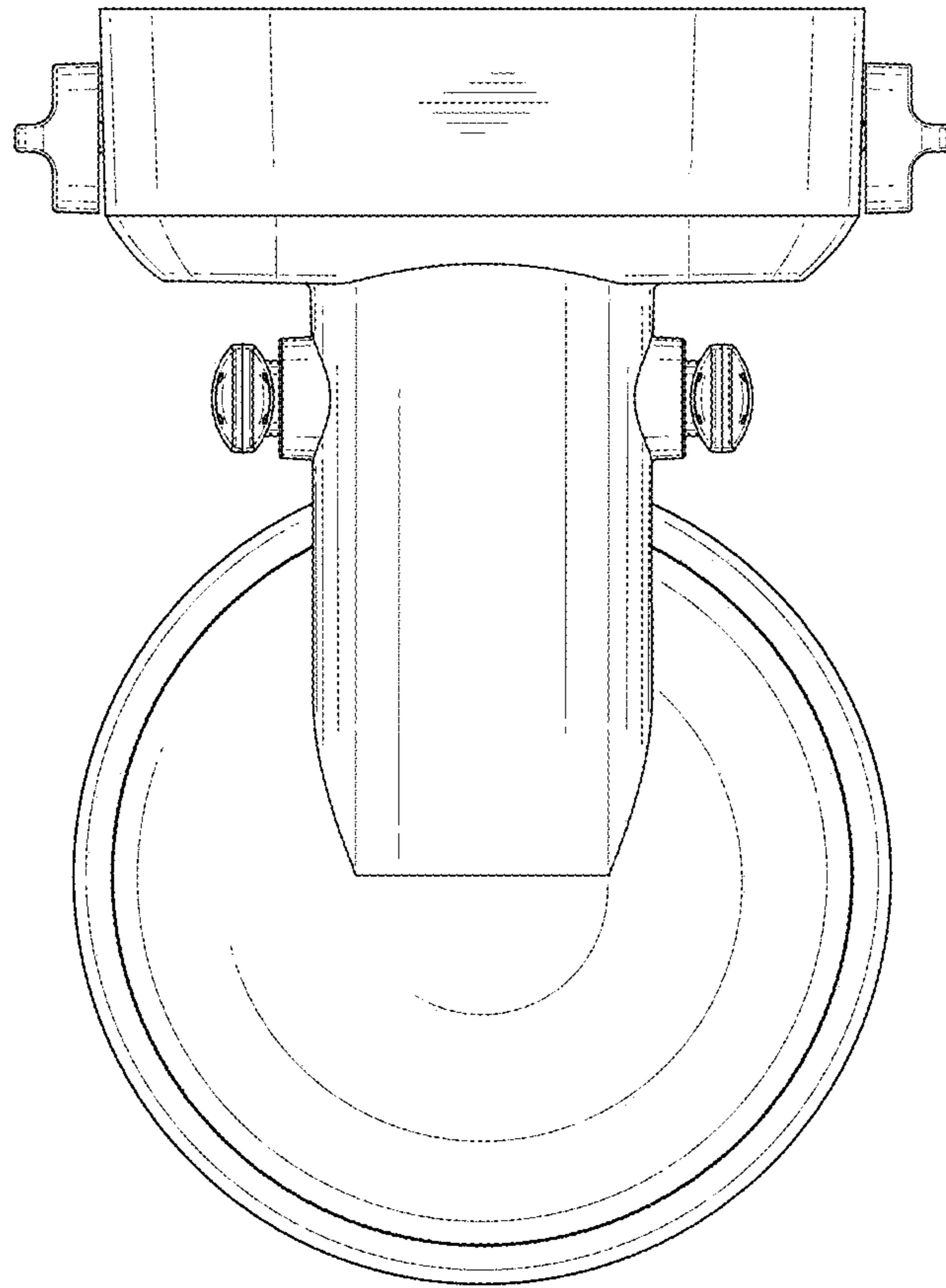


FIG.6



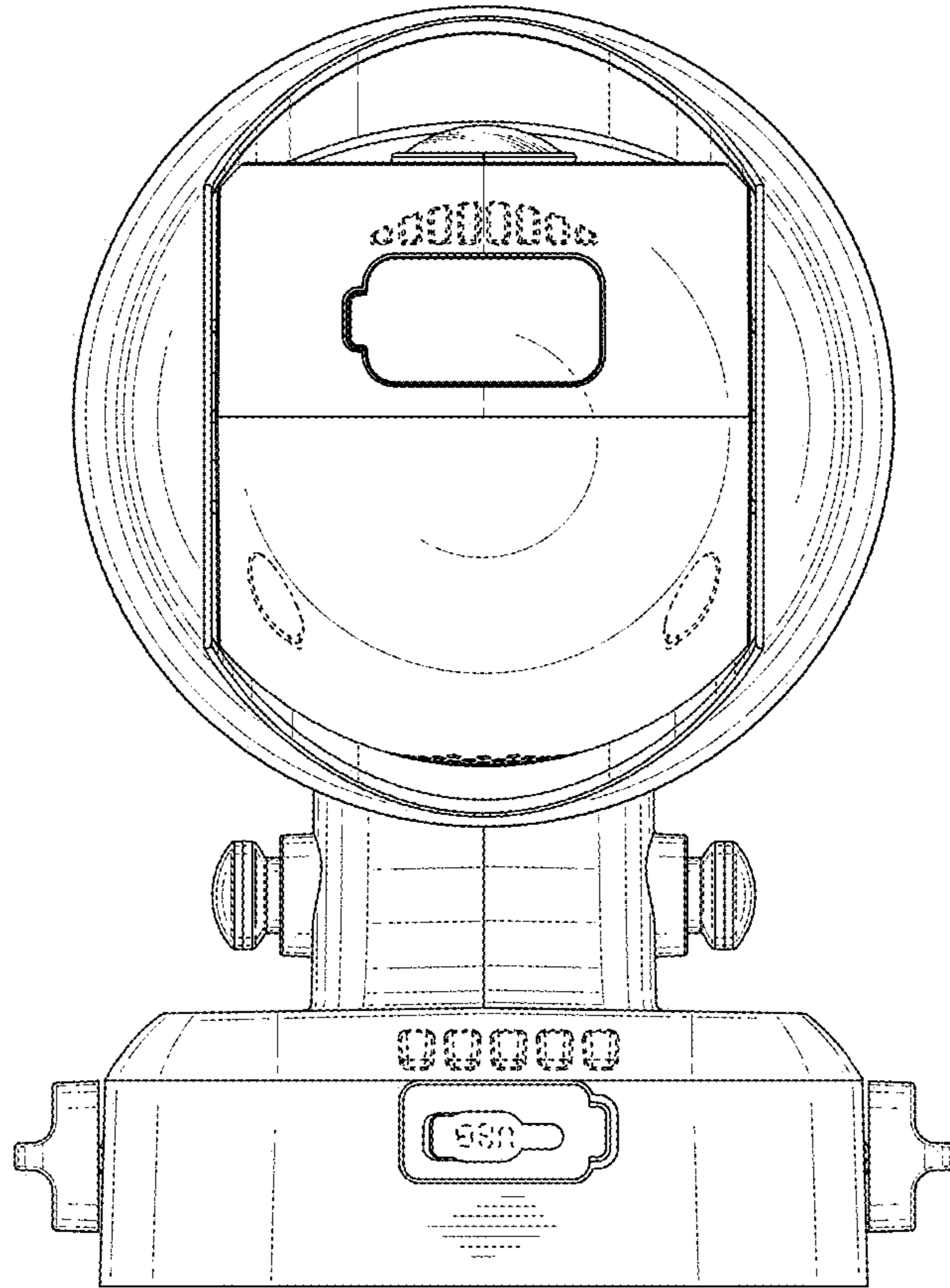


FIG.7

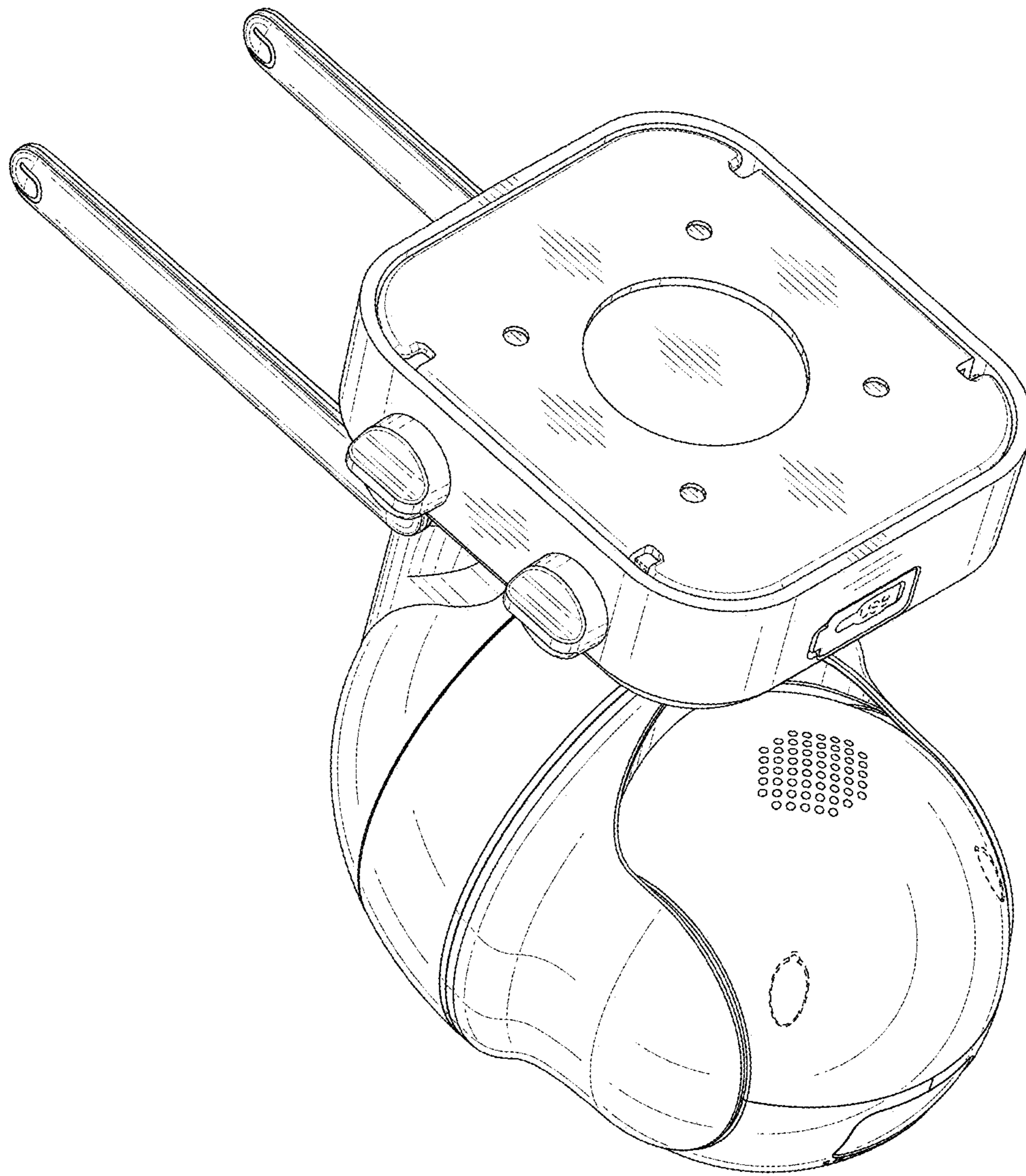


FIG.8

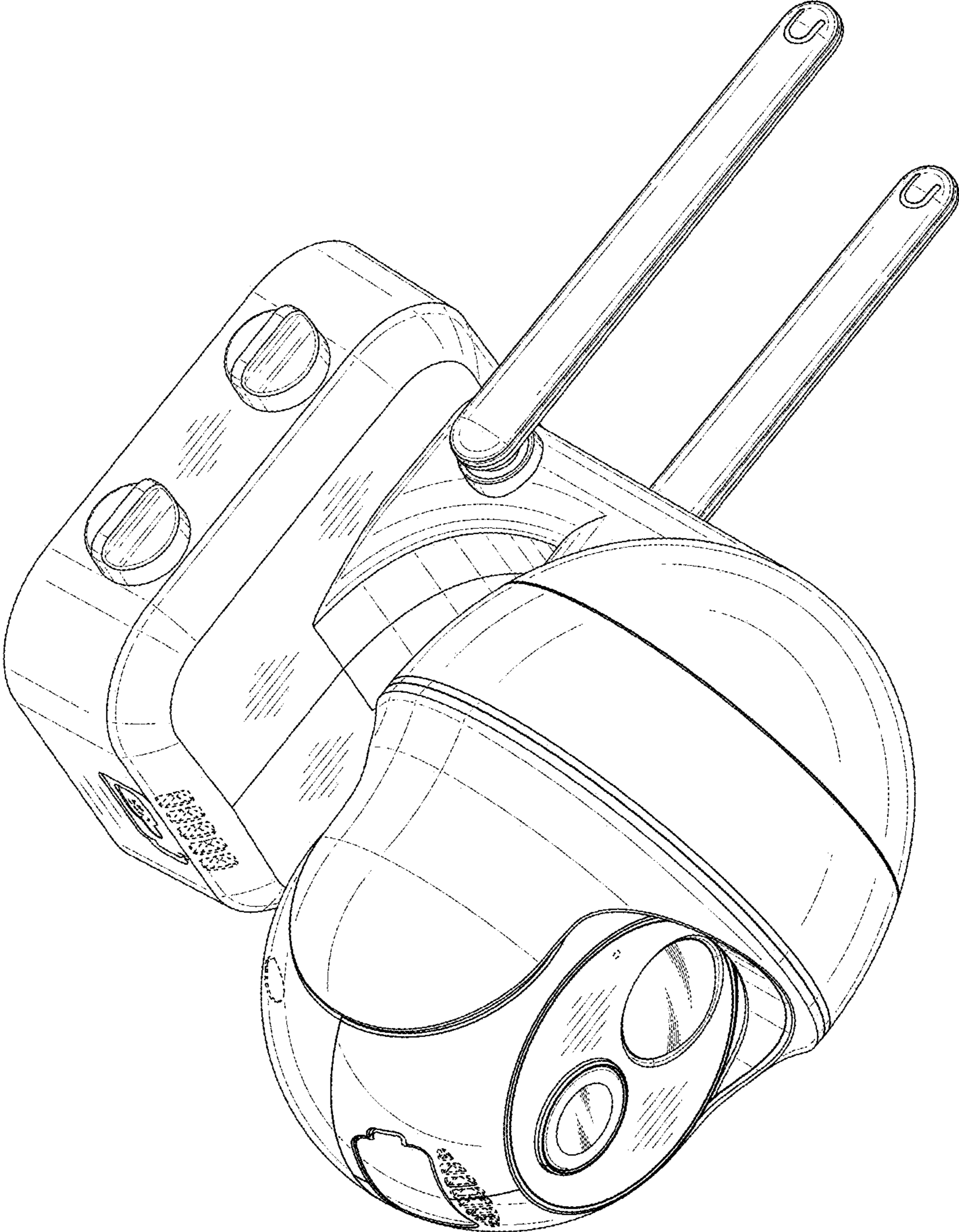


FIG. 9