



US00D956850S

(12) **United States Design Patent**
Yu

(10) **Patent No.:** **US D956,850 S**
(45) **Date of Patent:** **** Jul. 5, 2022**

- (54) **HUNT CAMERA**
- (71) Applicant: **Shenzhen Longzhiyuan Technology Co., Ltd.**, Guangdong (CN)
- (72) Inventor: **Mengchu Yu**, Guangdong (CN)
- (73) Assignee: **SHENZHEN LONGZHUYUAN TECHNOLOGY CO., LTD.**, Shenzhen (CN)

D880,555 S * 4/2020 Yu D16/203
 D883,359 S * 5/2020 Ren D16/203
 D910,734 S * 2/2021 Yu D16/218

(Continued)

FOREIGN PATENT DOCUMENTS

CN 305921533 * 7/2020
 CN 306423498 * 3/2021

OTHER PUBLICATIONS

“Spypoint Force-11D Ultra Compact Trail Camera 11 MP HD Video w/ High Power LEDs, Blur Reduction & Infrared Boost Technology, 2" Viewing Screen, 0.07s Trigger Speed, 80' Detection & 100' Flash Range” from Amazon.com, first available Mar. 29, 2016 from the internet <<https://www.amazon.com/SPYPOINT-FORCE-11D-Reduction-Technology-Detection/dp/B01BE8K87Q/>> (Year: 2016).*

(Continued)

- (**) Term: **15 Years**
- (21) Appl. No.: **29/759,655**
- (22) Filed: **Nov. 24, 2020**
- (30) **Foreign Application Priority Data**

Nov. 2, 2020 (CN) 202030658275.0

- (51) **LOC (13) Cl.** **16-01**
- (52) **U.S. Cl.**
USPC **D16/200; D16/203**

- (58) **Field of Classification Search**
USPC D16/200–204, 207–208; D10/61, 65, 70, D10/71, 104.1, 106.6; D14/203.1
CPC G03B 15/03; G03B 17/02; G03B 17/04; G03B 17/56; G03B 19/04; H04N 7/141; H04N 7/142; H04N 7/147; H04N 7/148; H04N 7/15; H04N 7/152; H04N 5/2251; H04N 5/2252; H04N 5/2253; H04N 5/2254; H04N 5/23216; H04N 5/232939; H04N 2101/00; H04N 2007/145
See application file for complete search history.

- (56) **References Cited**

U.S. PATENT DOCUMENTS

D838,763 S * 1/2019 Yu D16/218
 D874,537 S * 2/2020 Ye D16/203
 D874,546 S * 2/2020 Yu D16/218
 D874,547 S * 2/2020 Yu D16/218

Primary Examiner — Rosemary K Tarcza
Assistant Examiner — Lacey Chey Bowman
 (74) *Attorney, Agent, or Firm* — Dragon Sun Law Firm, PC; Jinggao Li, Esq.; Nathaniel Perkins

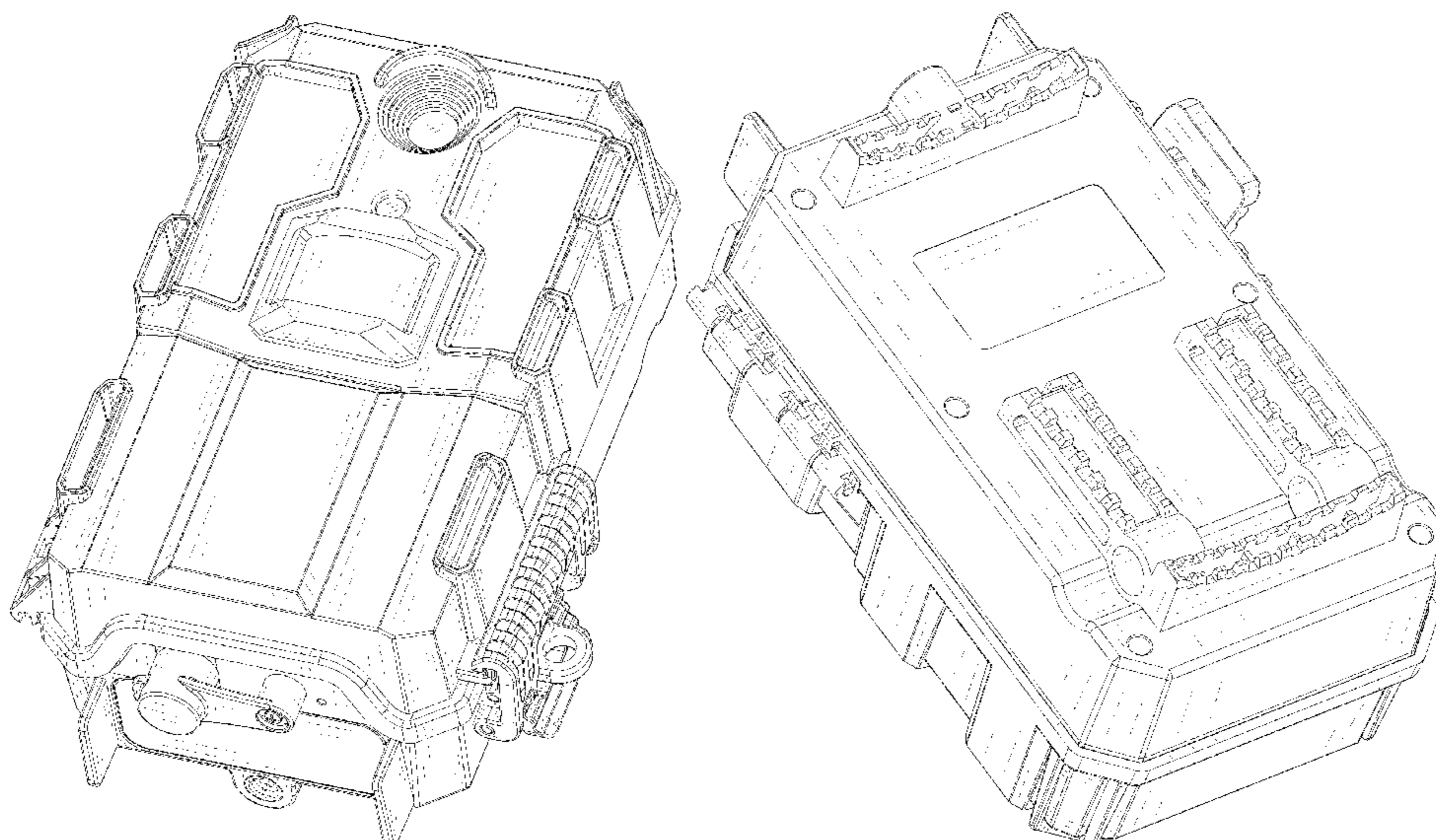
(57) **CLAIM**

The ornamental design for a hunt camera, as shown and described.

DESCRIPTION

FIG. 1 is a perspective view of a hunt camera showing my new design;
 FIG. 2 is another perspective view of FIG. 1;
 FIG. 3 is a front view of FIG. 1;
 FIG. 4 is a rear view of FIG. 1;
 FIG. 5 is a top view of FIG. 1;
 FIG. 6 is a bottom view of FIG. 1;
 FIG. 7 is a left view of FIG. 1; and,
 FIG. 8 is a right view of FIG. 1.
 The broken lines illustrate portions of the hunt camera that form no part of the claimed design.

1 Claim, 8 Drawing Sheets



(56)

References Cited

U.S. PATENT DOCUMENTS

D918,986 S * 5/2021 Yu D16/218
D921,735 S * 6/2021 Yu D16/203

OTHER PUBLICATIONS

“Bushnell Primos 20MP Prime L20 Tan Low Glow Trail Camera (2-Pack) with 32GB SD Cards (2-Pack) and Card Reader Bundle (5 Items)” from Amazon.com, first available Aug. 30, 2021 from the internet <<https://www.amazon.com/Bushnell-Primos-Camera-2-Pack-Reader/dp/B09DYWVRPL>> (Year: 2021).*

* cited by examiner

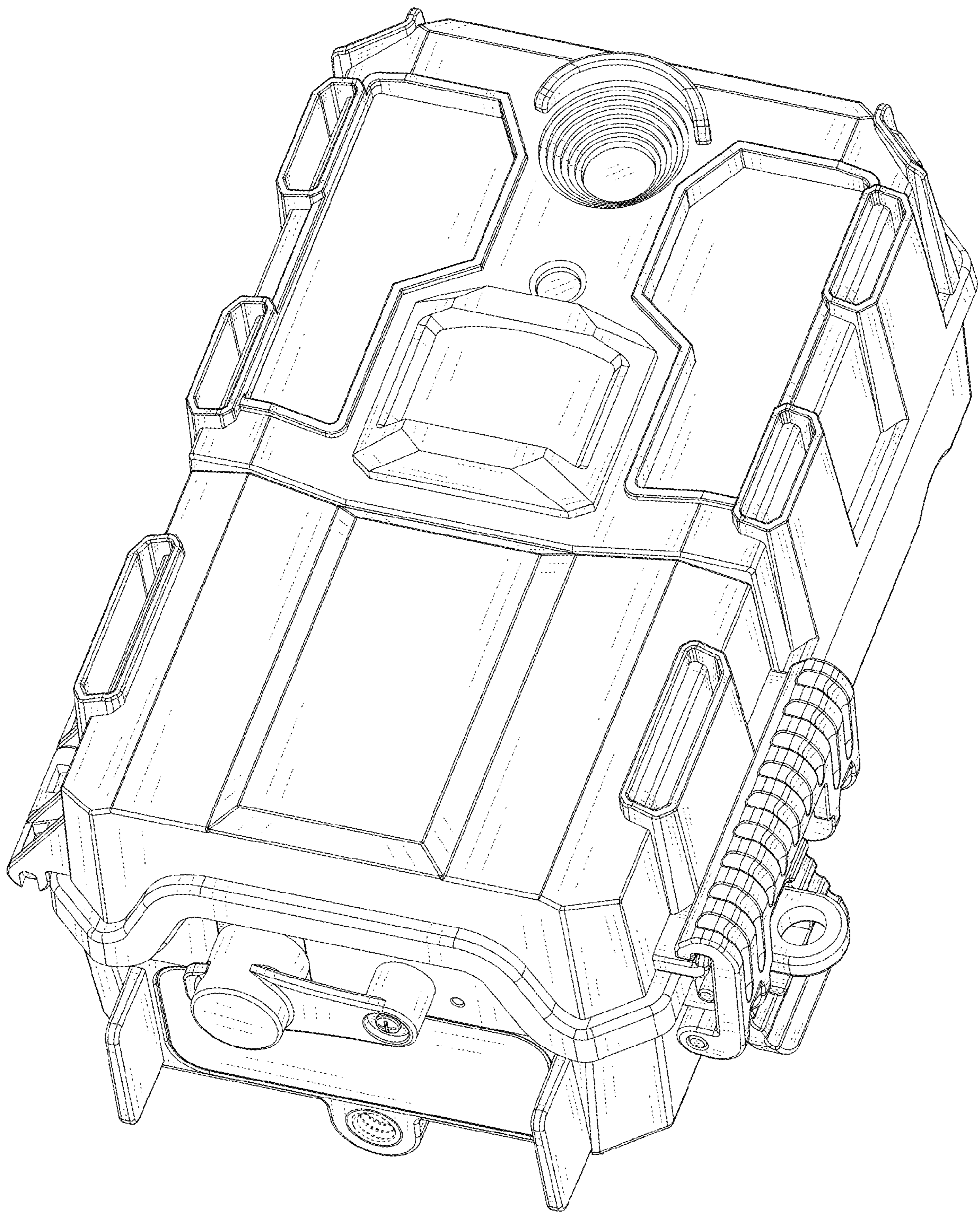


FIG. 1

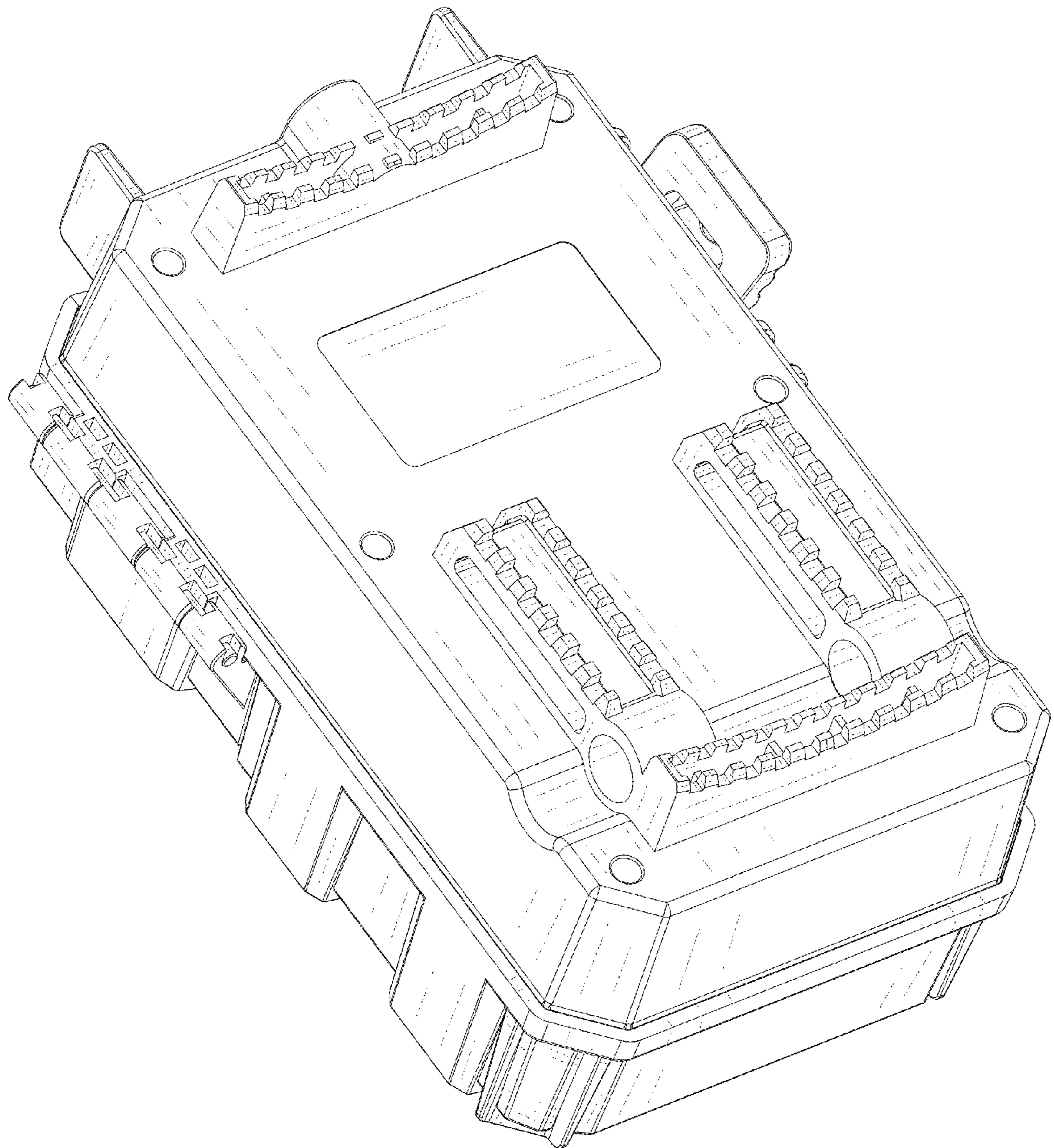


FIG. 2

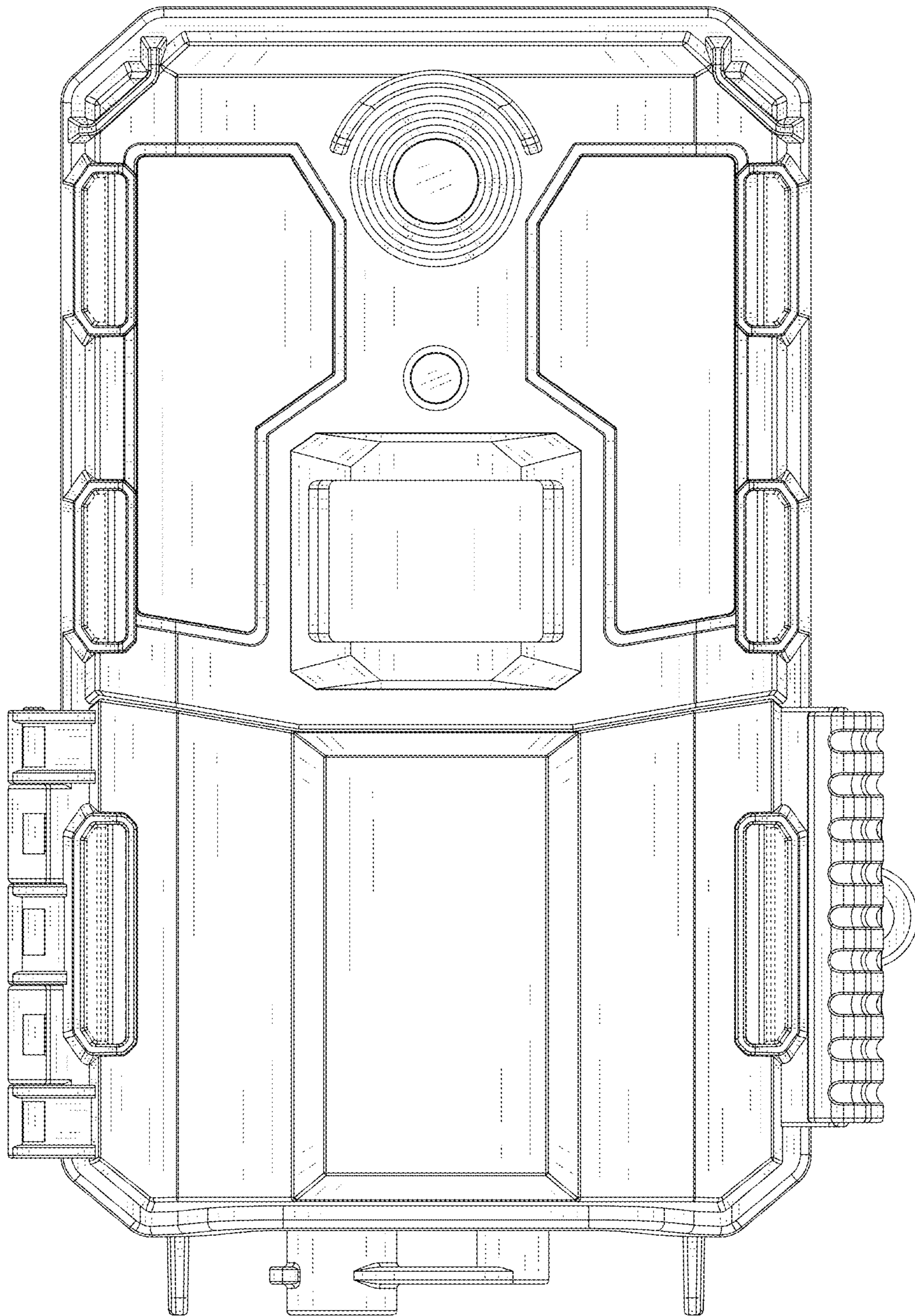


FIG. 3

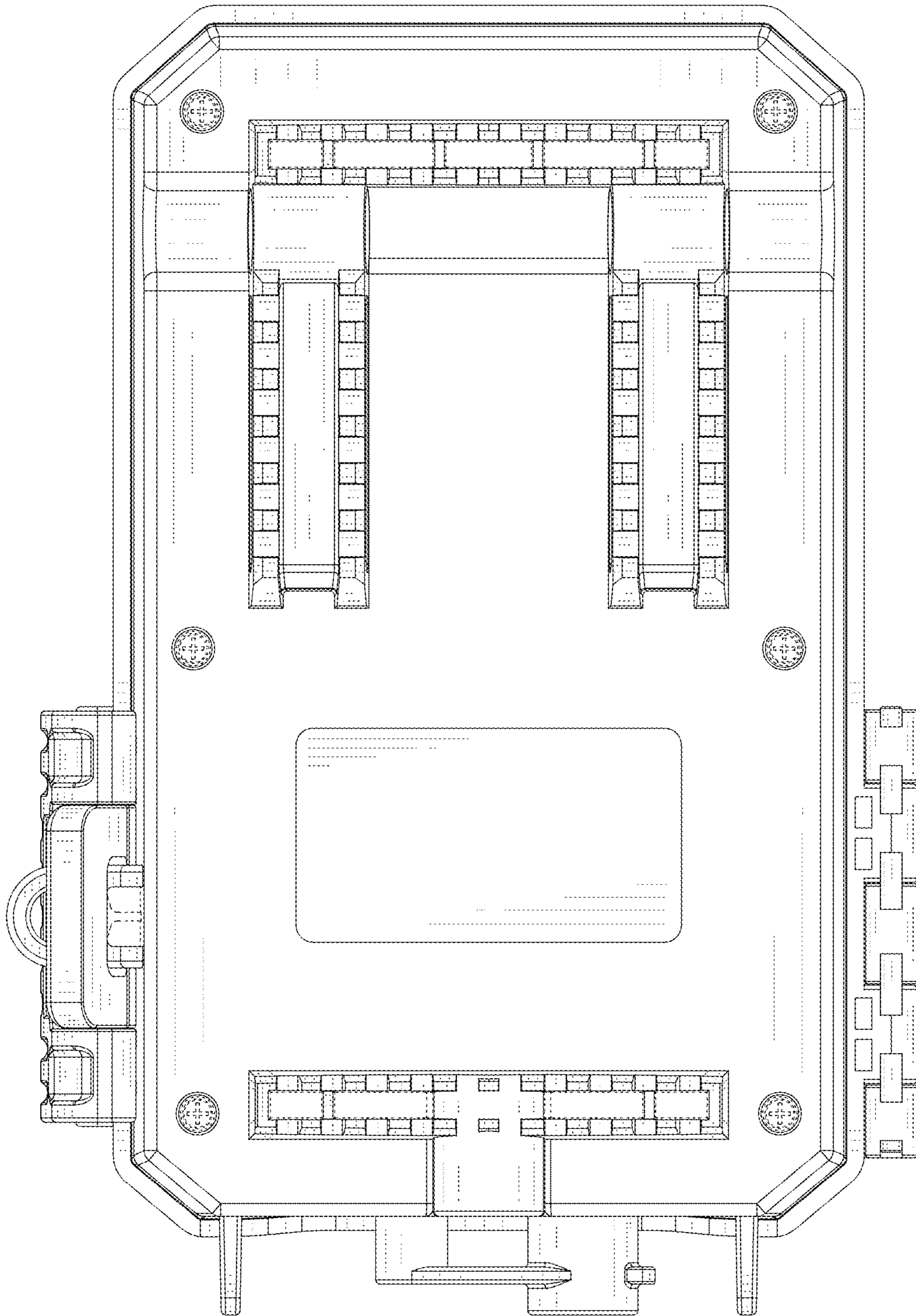


FIG. 4

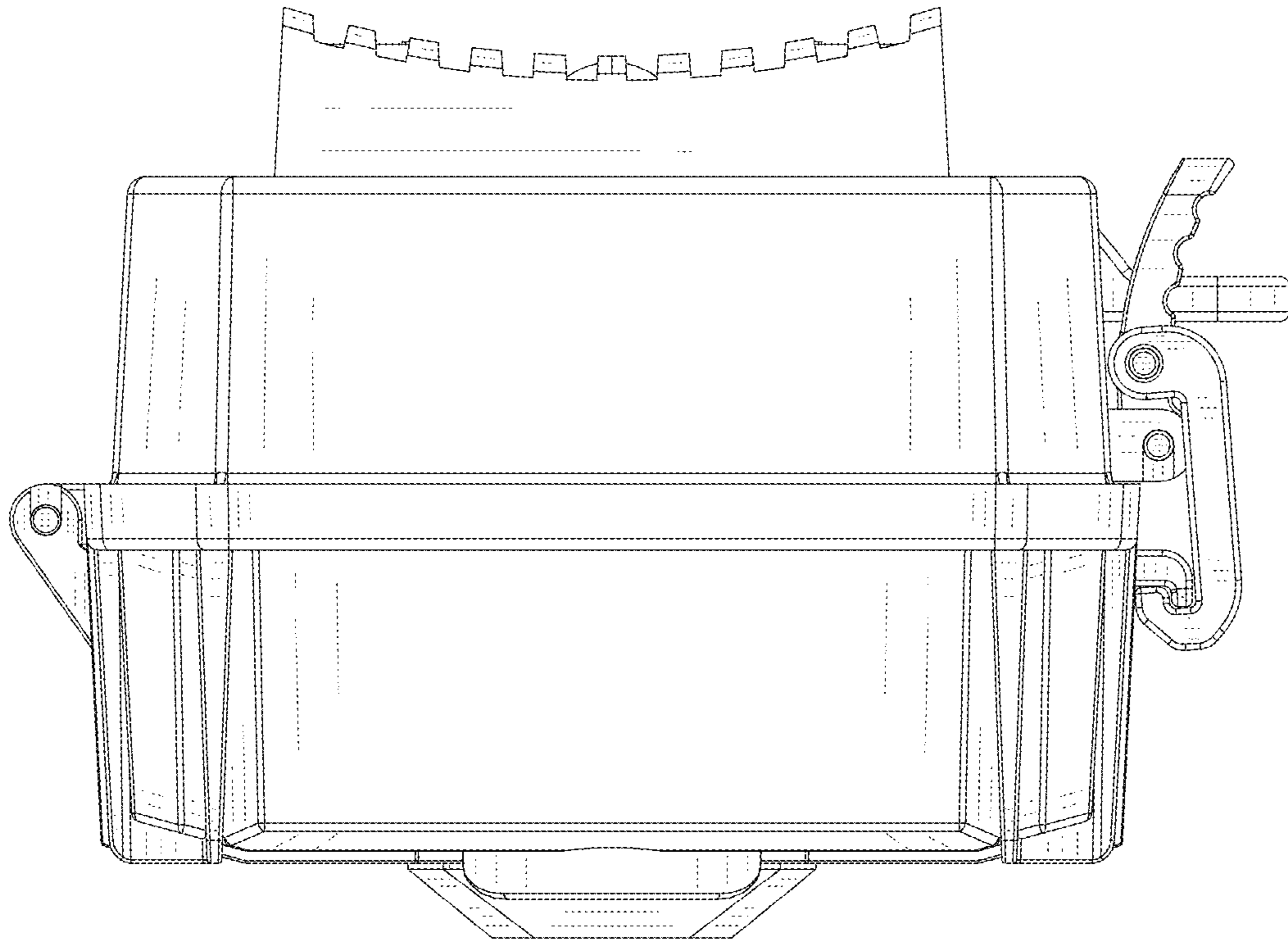


FIG. 5

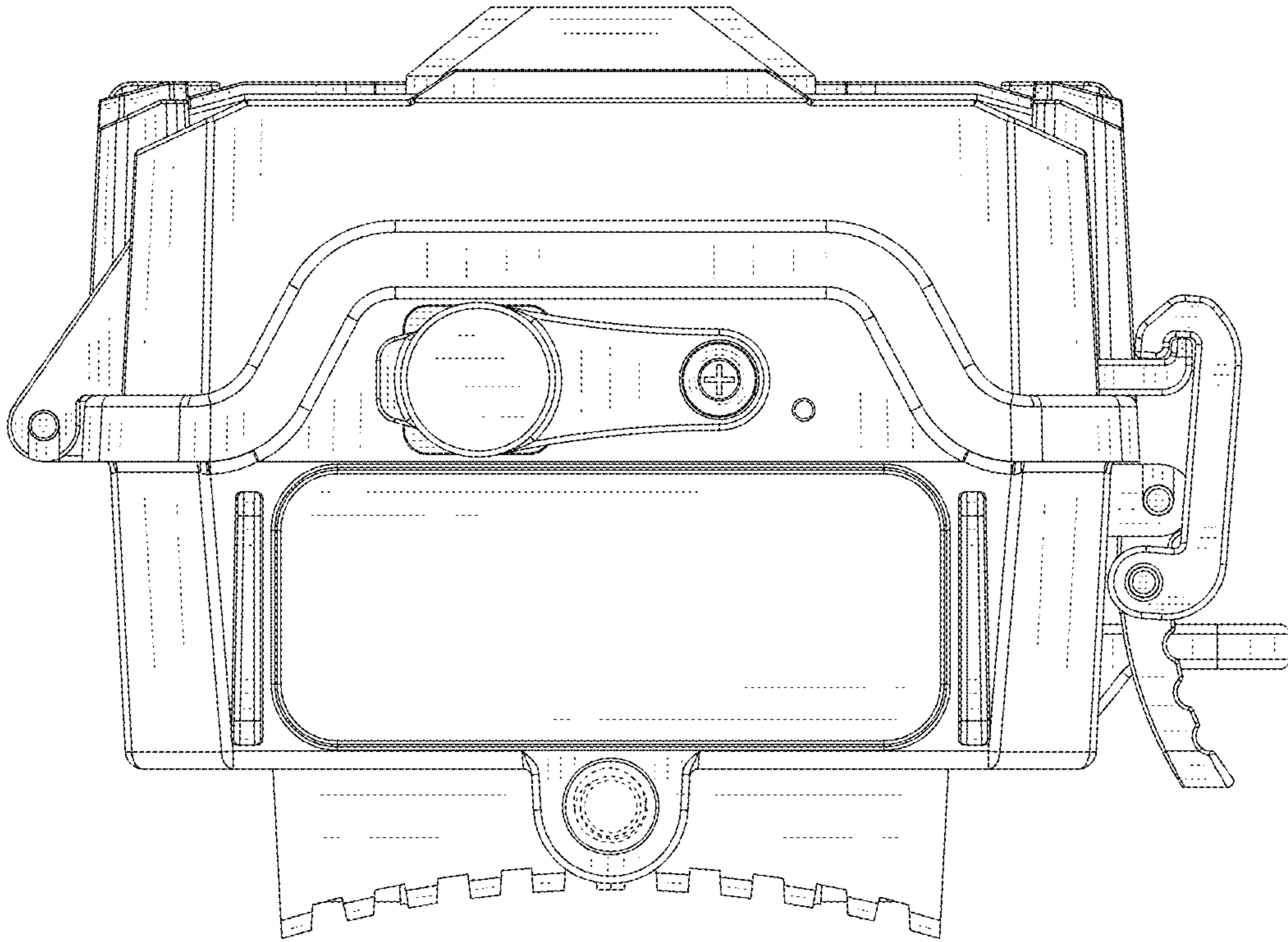


FIG. 6

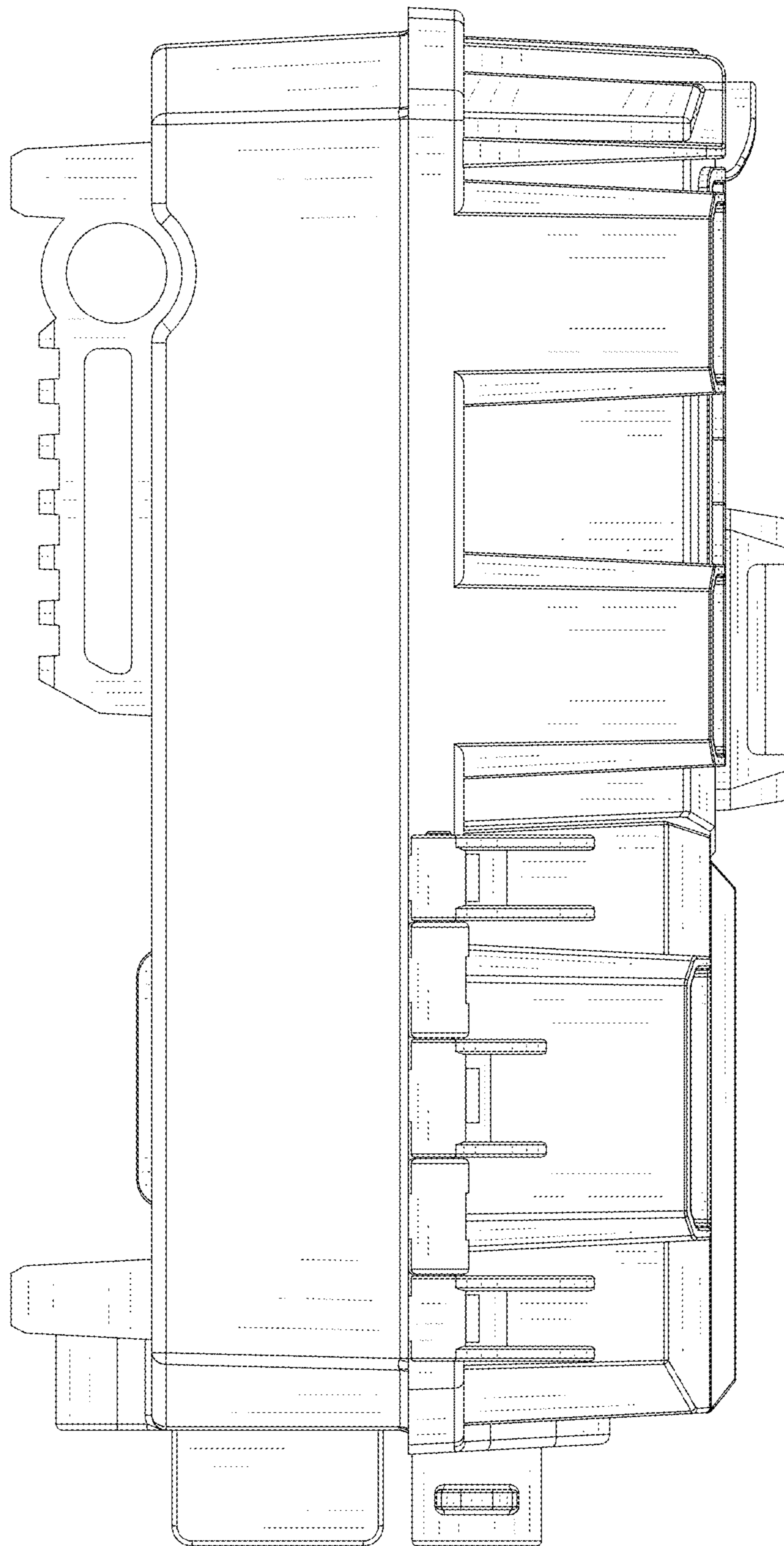


FIG. 7

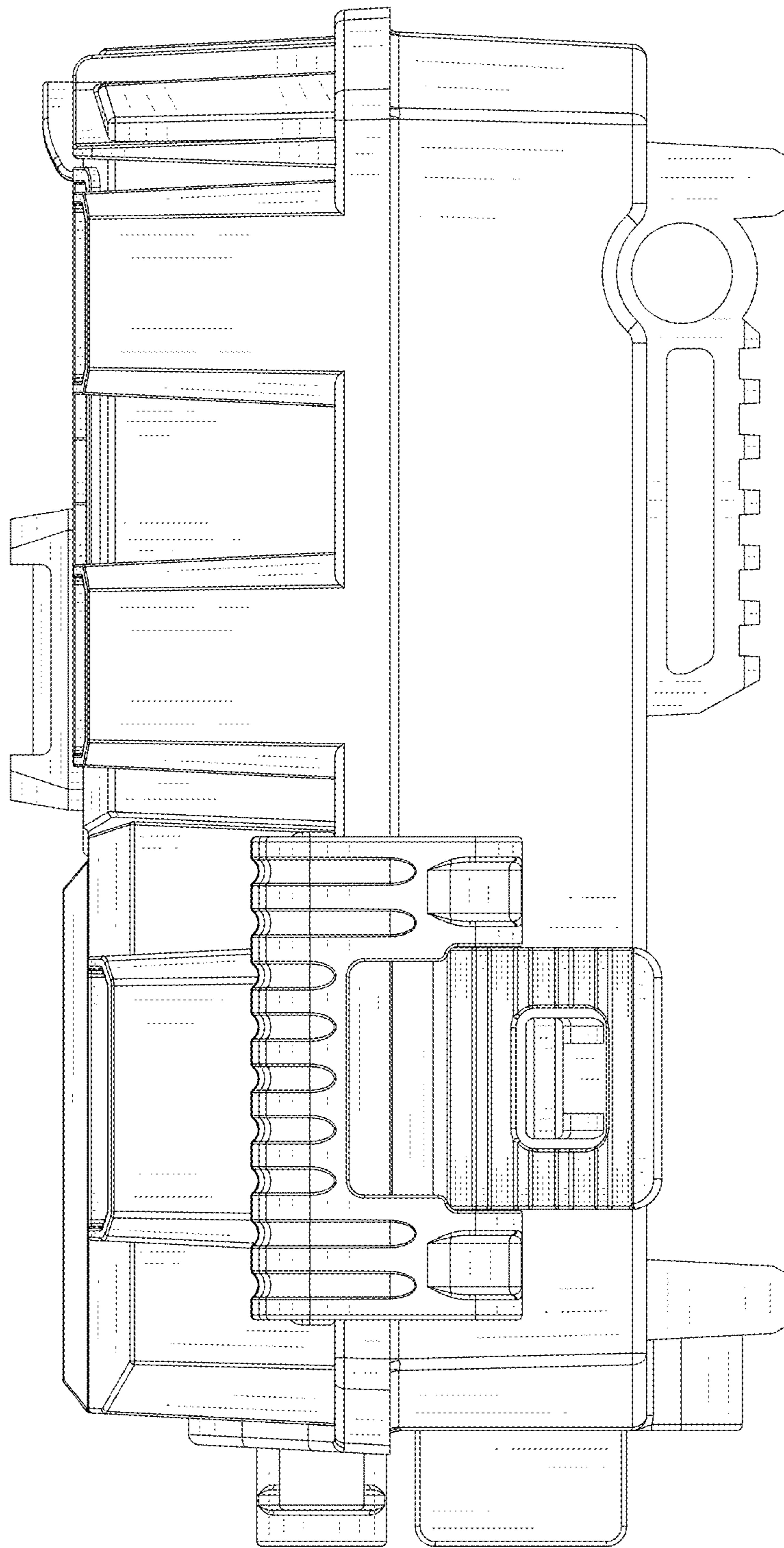


FIG. 8