



US00D956849S

(12) **United States Design Patent**  
**Yu**

(10) **Patent No.:** **US D956,849 S**  
(45) **Date of Patent:** **\*\* Jul. 5, 2022**

(54) **HUNT CAMERA**

(71) Applicant: **Shenzhen Longzhiyuan Technology Co., Ltd.**, Guangdong (CN)

(72) Inventor: **Mengchu Yu**, Guangdong (CN)

(73) Assignee: **SHENZHEN LONGZHIYUAN TECHNOLOGY CO., LTD.**, Shenzhen (CN)

(\*\*) Term: **15 Years**

(21) Appl. No.: **29/759,652**

(22) Filed: **Nov. 24, 2020**

(30) **Foreign Application Priority Data**

Nov. 2, 2020 (CN) ..... 202030657582.7

(51) **LOC (13) Cl.** ..... **16-01**

(52) **U.S. Cl.**  
USPC ..... **D16/200**; D16/203

(58) **Field of Classification Search**  
USPC ..... D16/200–204, 207–208; D10/61, 65, 70, D10/71, 104.1, 106.6; D14/203.1  
CPC ..... G03B 15/03; G03B 17/02; G03B 17/04; G03B 17/56; G03B 19/04; H04N 7/141; H04N 7/142; H04N 7/147; H04N 7/148; H04N 7/15; H04N 7/152; H04N 5/2251; H04N 5/2252; H04N 5/2253; H04N 5/2254; H04N 5/23216; H04N 5/232939; H04N 2101/00; H04N 2007/145  
See application file for complete search history.

(56) **References Cited**

**U.S. PATENT DOCUMENTS**

D838,763 S \* 1/2019 Yu ..... D16/218  
D874,537 S \* 2/2020 Ye ..... D16/203  
D874,546 S \* 2/2020 Yu ..... D16/218  
D874,547 S \* 2/2020 Yu ..... D16/218  
D880,555 S \* 4/2020 Yu ..... D16/203

D883,359 S \* 5/2020 Ren ..... D16/203  
D910,734 S \* 2/2021 Yu ..... D16/218  
D918,986 S \* 5/2021 Yu ..... D16/218

(Continued)

**FOREIGN PATENT DOCUMENTS**

CN 305921533 \* 7/2020  
CN 306423497 \* 3/2021

**OTHER PUBLICATIONS**

“Tasco Low Glow 12 Mega Pixels Trail Camera, 720P Video, 70FT Low Glow IR Flash, Color: OD Green” from Amazon.com, first available Sep. 25, 2021 from the internet <<https://www.amazon.com/Tasco-Pixels-Trail-Camera-Video/dp/B09H4ZVFDM>> (Year: 2021).\*

(Continued)

*Primary Examiner* — Rosemary K Tarcza  
*Assistant Examiner* — Lacey Chey Bowman  
(74) *Attorney, Agent, or Firm* — Dragon Sun Law Firm, PC; Jinggao Li, Esq.; Nathaniel Perkins

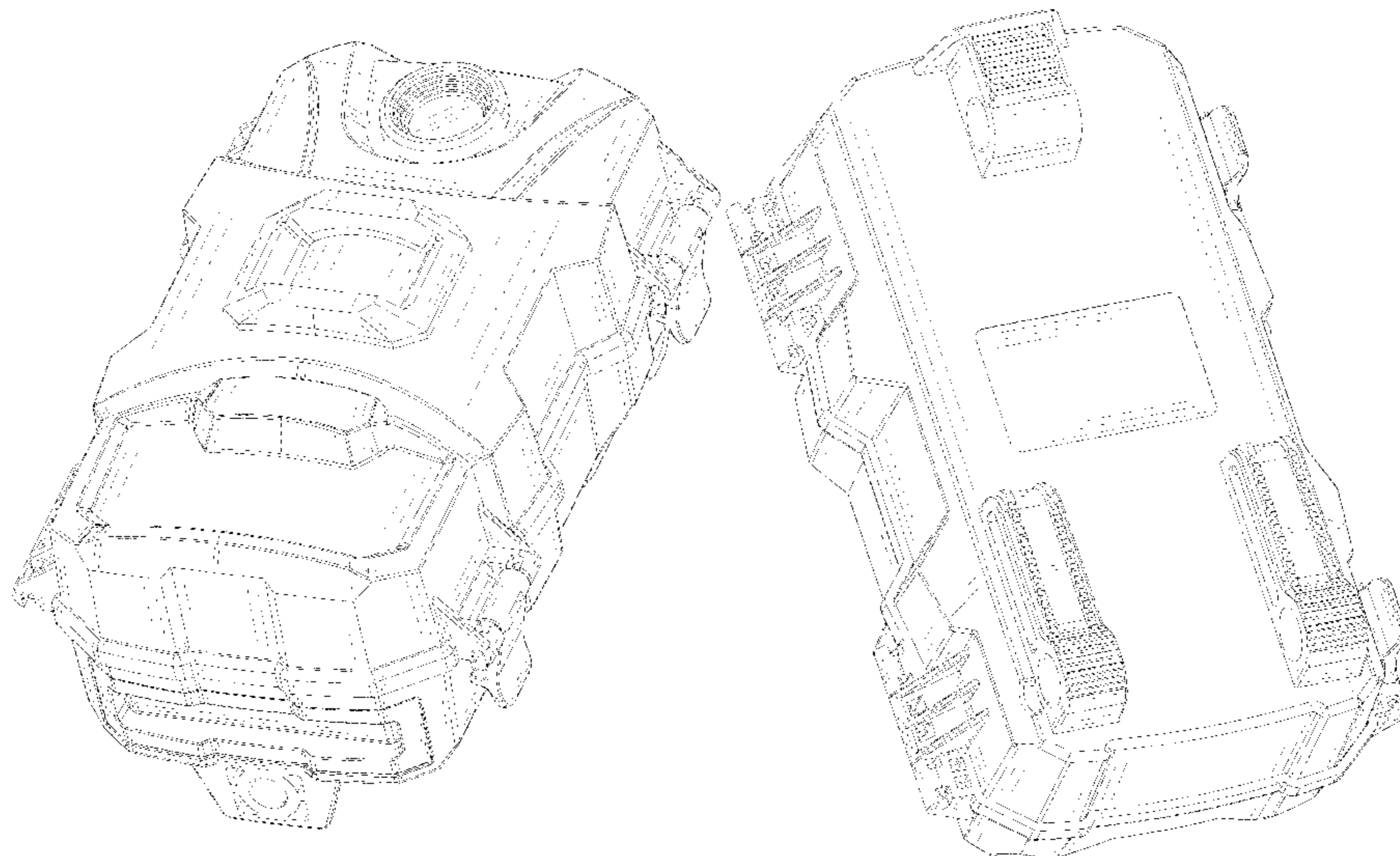
(57) **CLAIM**

The ornamental design for a hunt camera, as shown and described.

**DESCRIPTION**

FIG. 1 is a perspective view of a hunt camera showing my new design;  
FIG. 2 is another perspective view of FIG. 1  
FIG. 3 is a front view of FIG. 1;  
FIG. 4 is a rear view of FIG. 1;  
FIG. 5 is a left view of FIG. 1;  
FIG. 6 is a right view of FIG. 1;  
FIG. 7 is an enlarged top view of FIG. 1; and,  
FIG. 8 is an enlarged bottom view of FIG. 1.  
The broken lines illustrate portions of the hunt camera that form no part of the claimed design.

**1 Claim, 8 Drawing Sheets**



(56)

**References Cited**

U.S. PATENT DOCUMENTS

D921,735 S \* 6/2021 Yu ..... D16/203

OTHER PUBLICATIONS

“WOSODA Trail Camera, Waterproof 16MP 1080P Hunting Game Camera, Wildlife Camera with IR LEDs Night Vision, for Home Security Wildlife Monitoring Hunting” from Amazon.com, first available Jun. 30, 2020 from the internet <<https://www.amazon.com/WOSODA-Trail-Waterproof-Wildlife-Monitoring/dp/B08C21K7XQ/>> (Year: 2020).\*

“Trail Camera, Ceyomur 20MP 1080P Hunting Camera with Low Glow IR LEDs Night Vision Motion Activated, Video Game Camera with IP66 Waterproof for Wildlife Monitoring” from Amazon.com, first available Aug. 31, 2021 from the internet <<https://www.amazon.com/dp/B09F2KFVGC/>> (Year: 2021).\*

\* cited by examiner

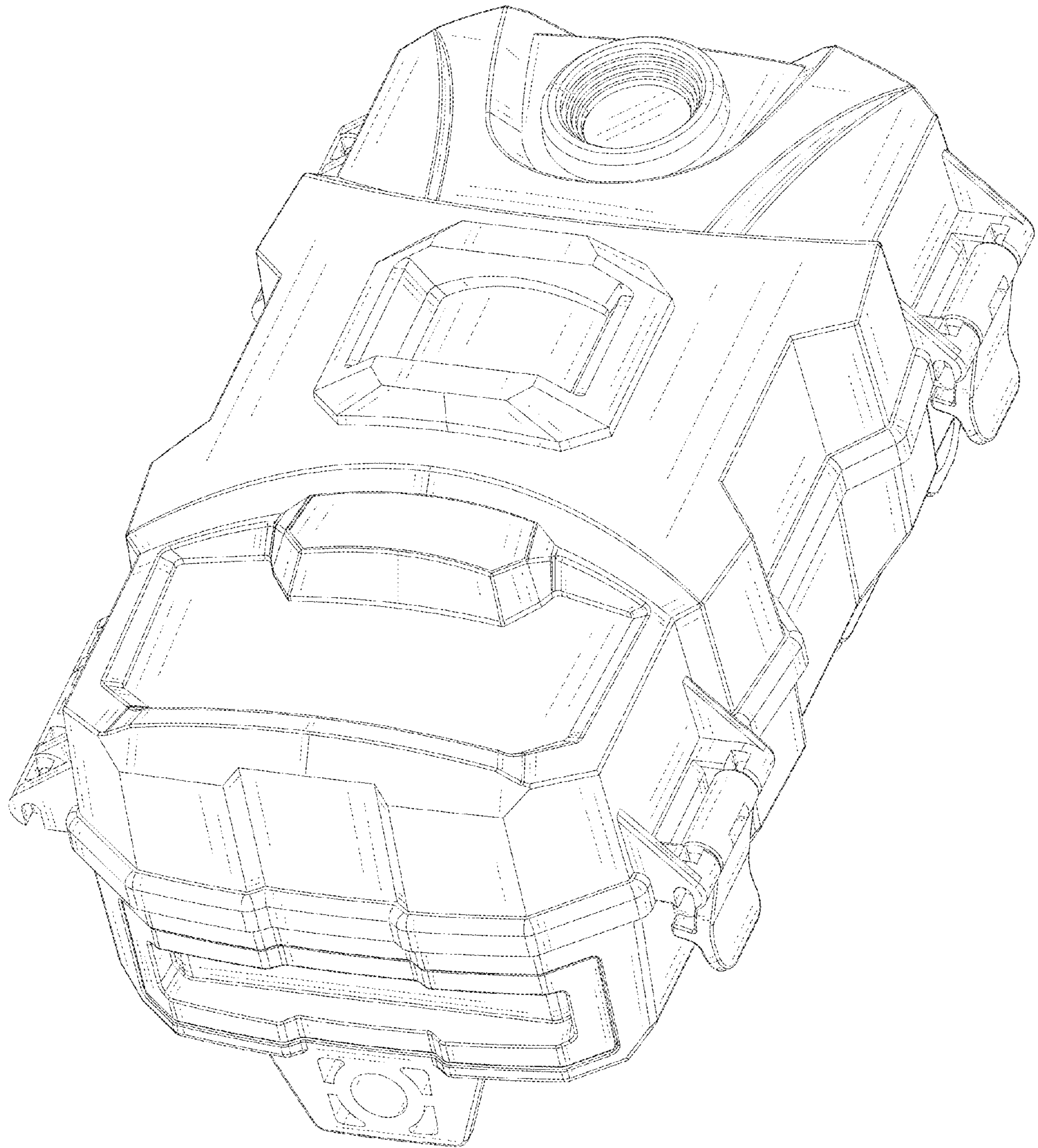


FIG. 1

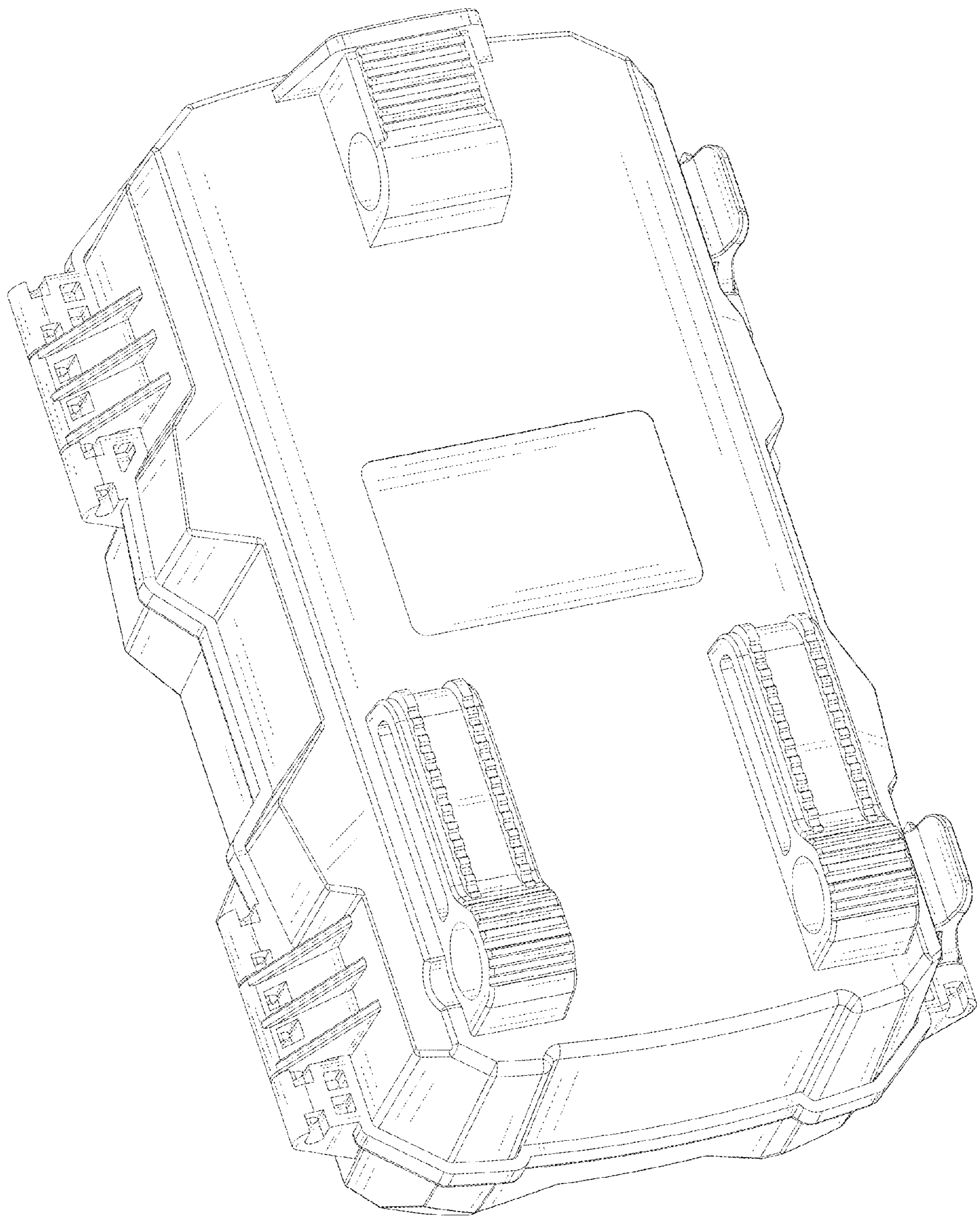


FIG. 2

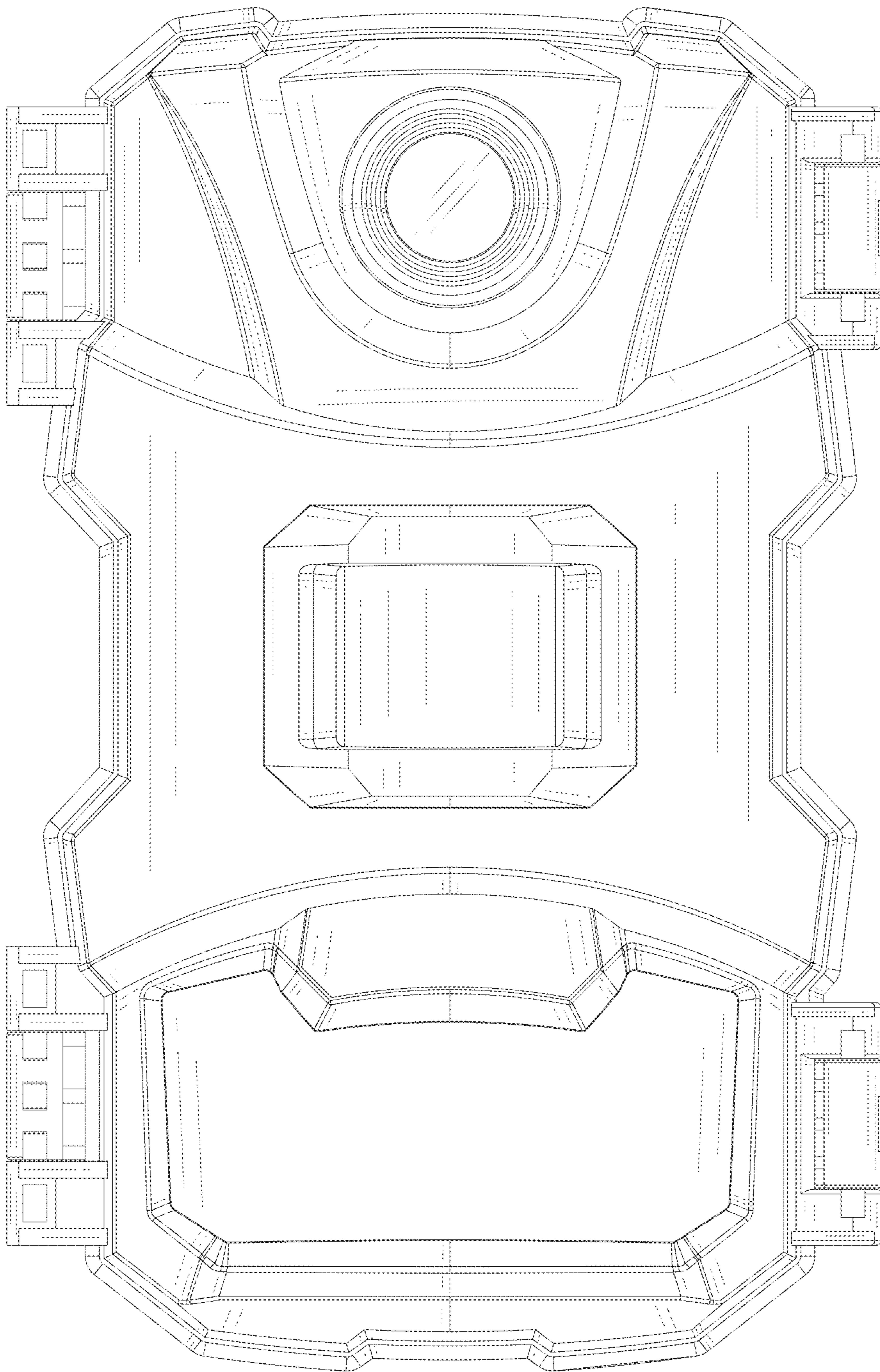


FIG. 3

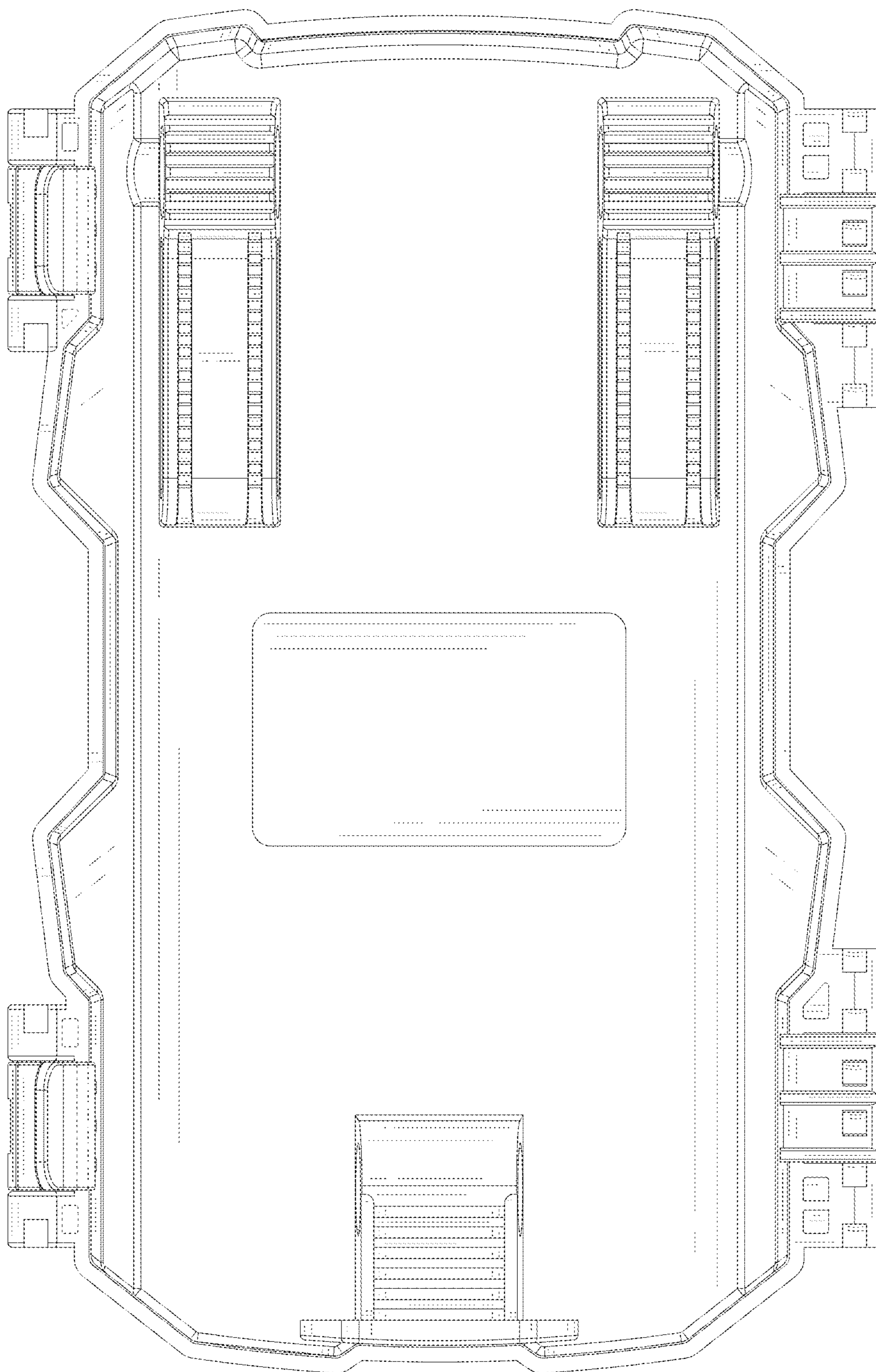


FIG. 4

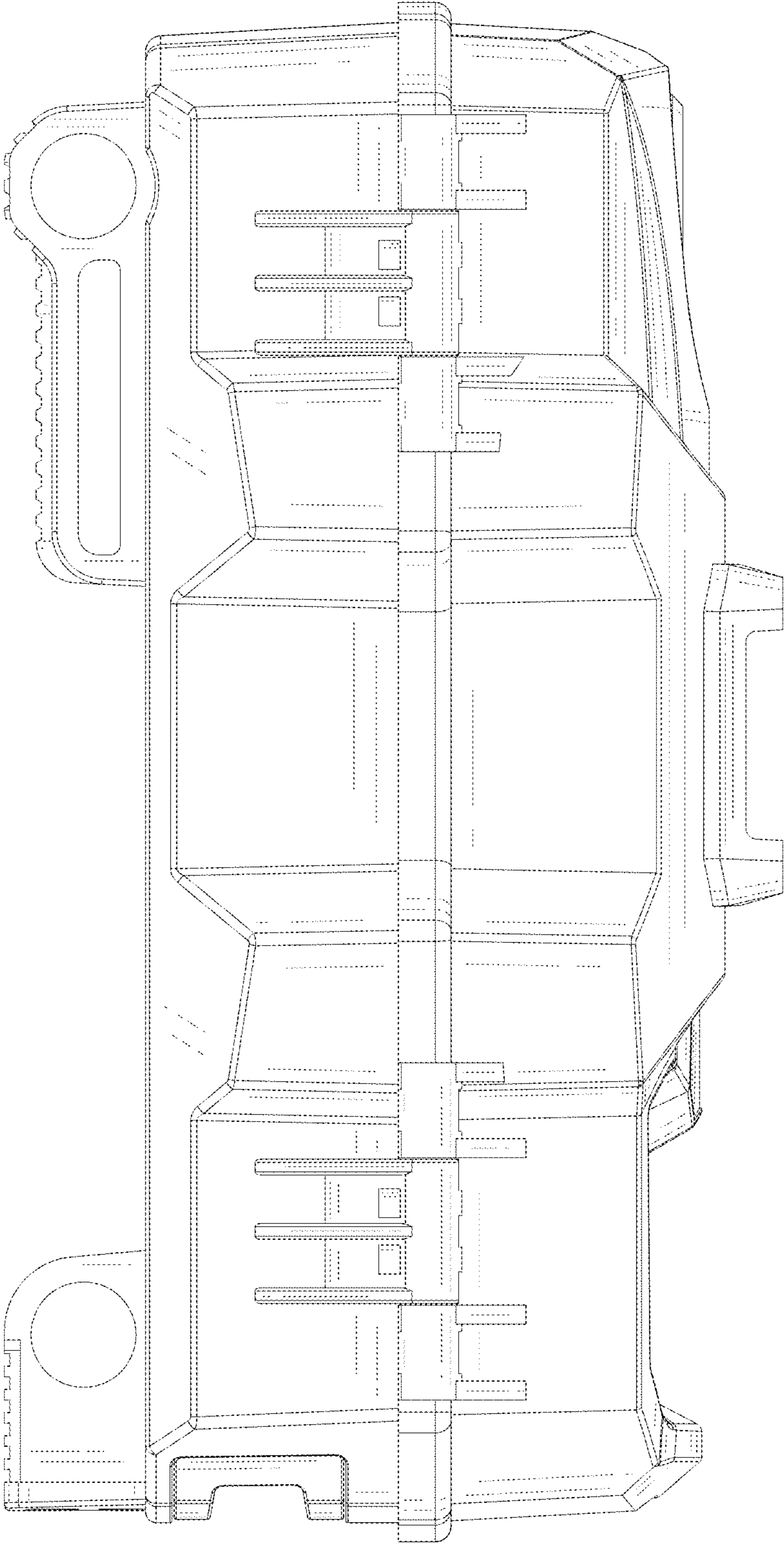


FIG. 5

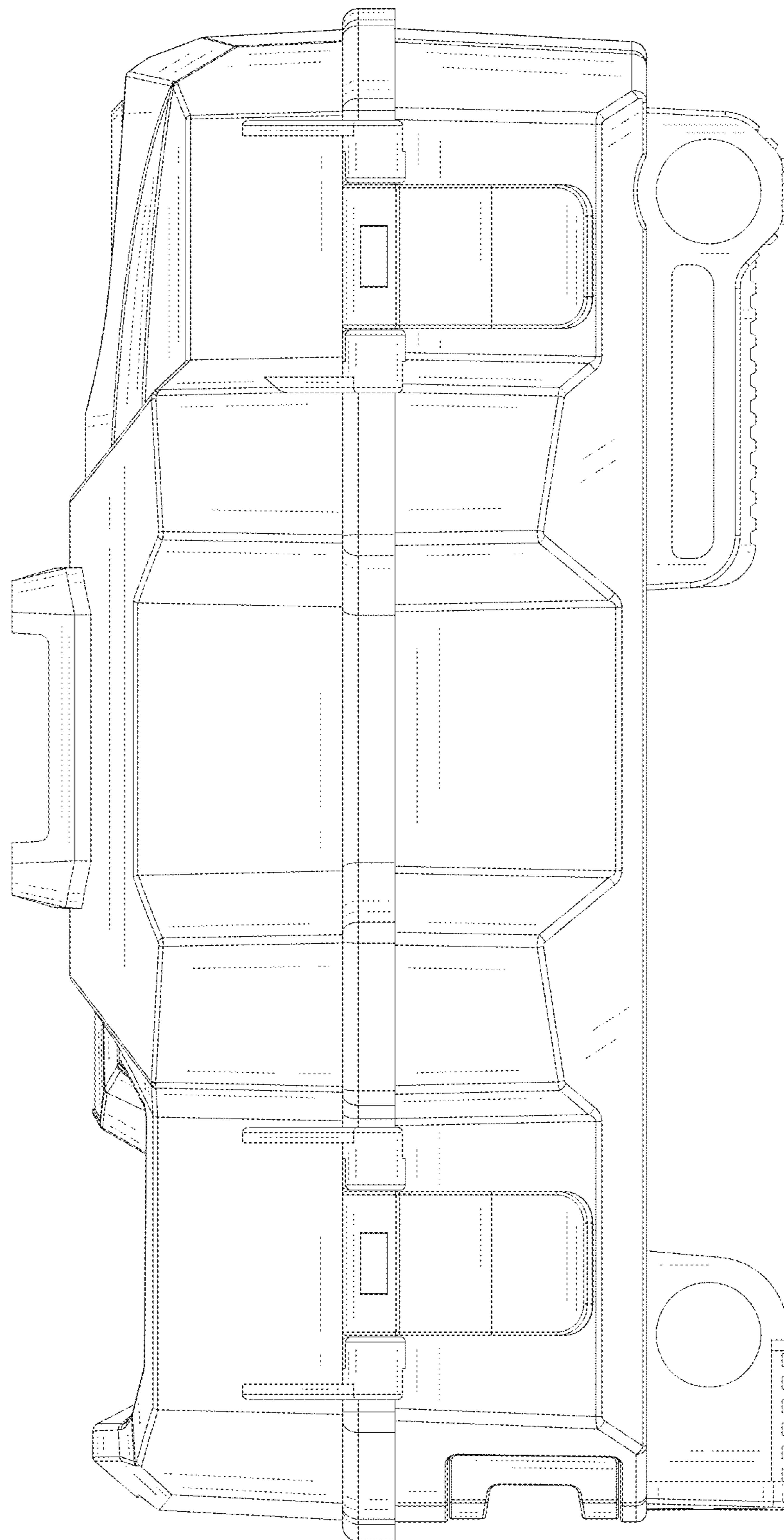


FIG. 6



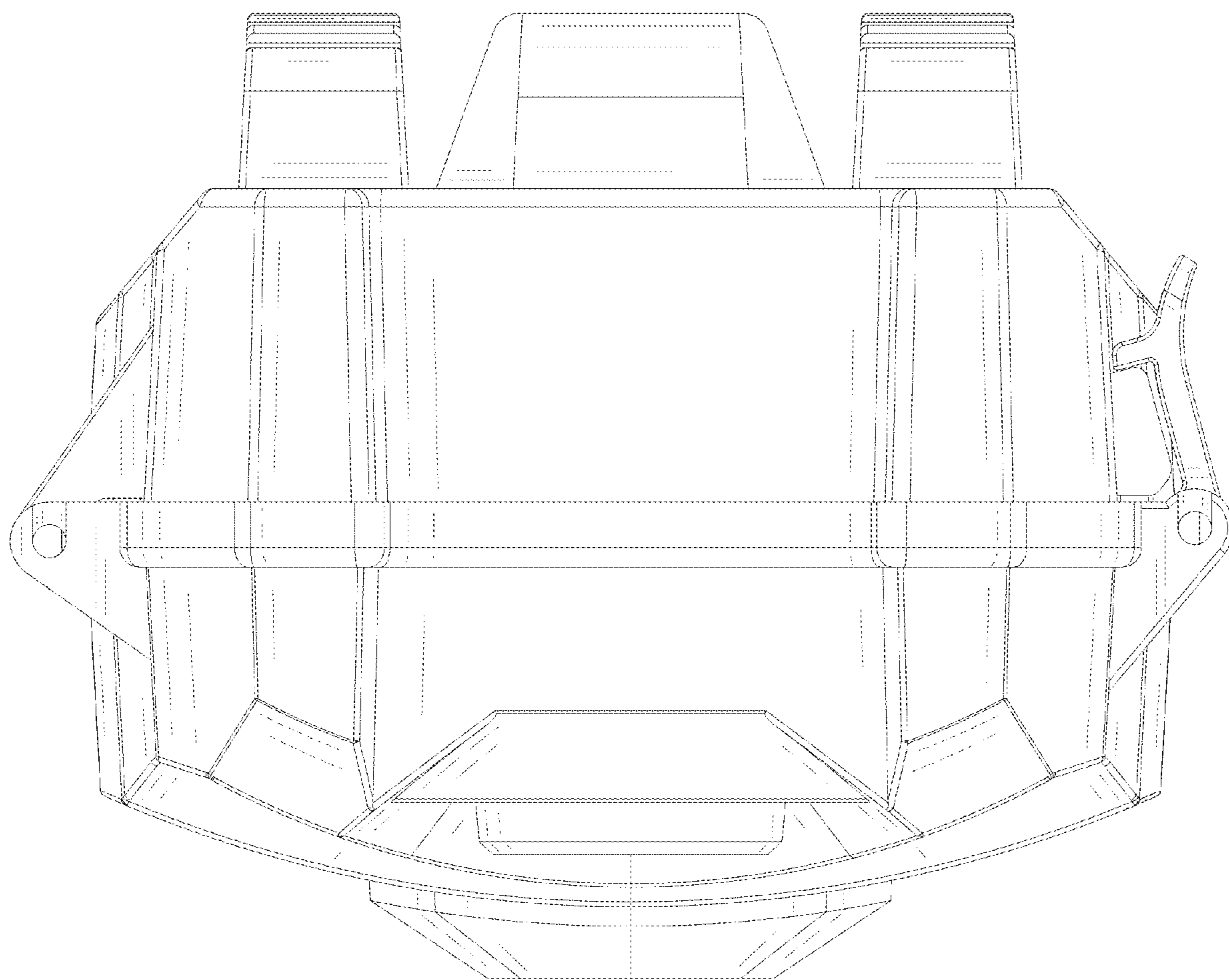


FIG. 7

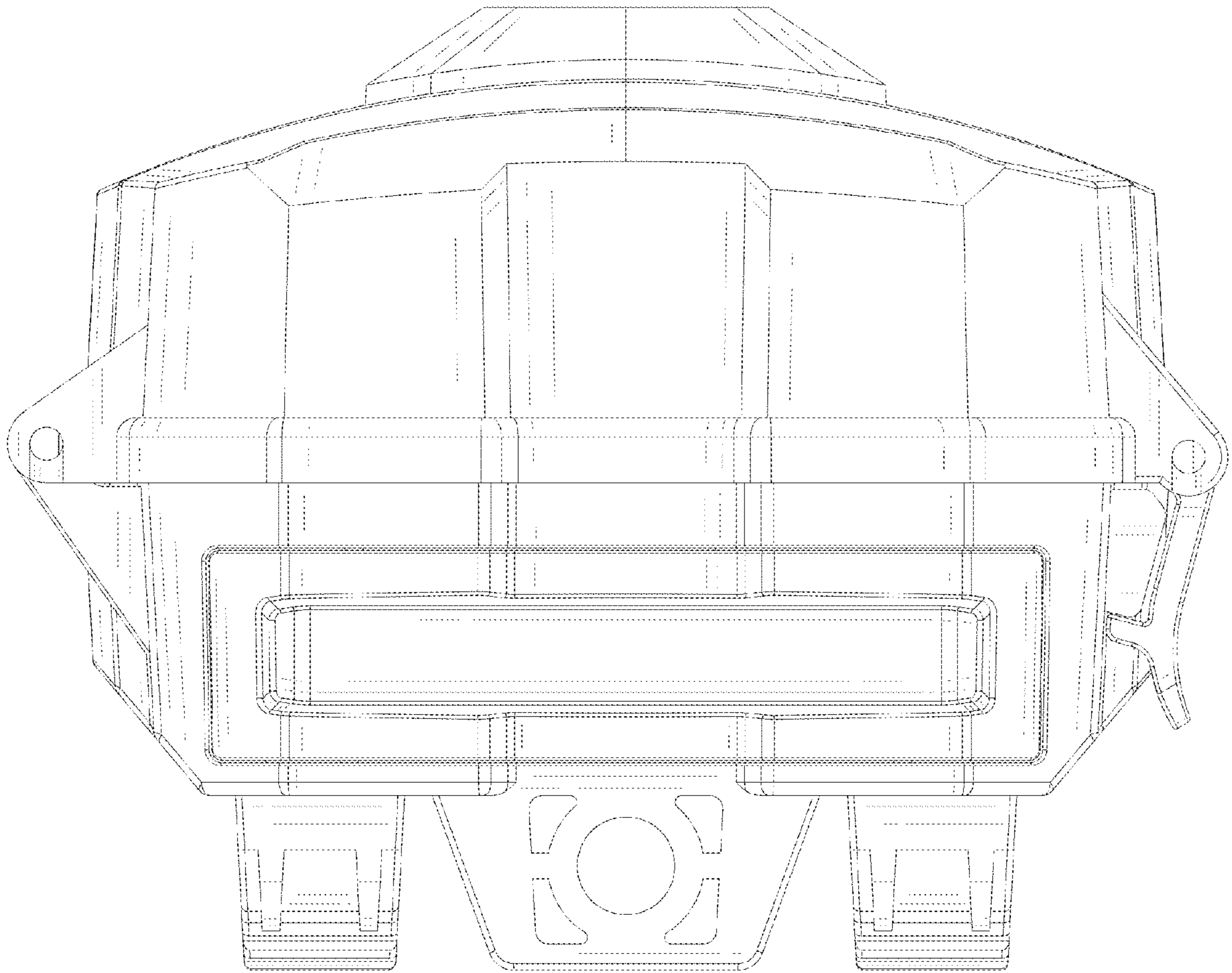


FIG. 8