



US00D956848S

(12) **United States Design Patent** (10) **Patent No.:** **US D956,848 S**  
**Yu** (45) **Date of Patent:** **\*\* Jul. 5, 2022**

(54) **HUNT CAMERA**

FOREIGN PATENT DOCUMENTS

(71) Applicant: **Shenzhen Longzhiyuan Technology Co., Ltd.**, Guangdong (CN)

CN 306423498 \* 3/2021  
CN 306496220 \* 4/2021

(72) Inventor: **Mengchu Yu**, Guangdong (CN)

OTHER PUBLICATIONS

(73) Assignee: **SHENZHEN LONGZHIYUAN TECHNOLOGY CO., LTD.**, Shenzhen (CN)

“Bushnell 18MP SpotOn Tree Bark Camo No Glow Trail Camera—66061WM” from dailysteals.com, first retrieved Mar. 8, 2022 from the internet <[https://dailysteals.com/bushnell-18mp-spoton-tree-bark-camo-no-glow-trail-camera-66061wm/?utm\\_source=adwords\\_shopping&utm\\_campaign=G:DS:US:Shopping:Smart:US:EN:Tier2&gclid=EAlalQobChM1wZP5td-29glVyopaBR3e4QvWEAQYAiABEgL0ivD\\_BwE](https://dailysteals.com/bushnell-18mp-spoton-tree-bark-camo-no-glow-trail-camera-66061wm/?utm_source=adwords_shopping&utm_campaign=G:DS:US:Shopping:Smart:US:EN:Tier2&gclid=EAlalQobChM1wZP5td-29glVyopaBR3e4QvWEAQYAiABEgL0ivD_BwE)> (Year: 2022).\*

(\*\*) Term: **15 Years**

(21) Appl. No.: **29/759,646**

(Continued)

(22) Filed: **Nov. 24, 2020**

(30) **Foreign Application Priority Data**

*Primary Examiner* — Michelle E. Wilson

Nov. 2, 2020 (CN) ..... 202030657569.1

*Assistant Examiner* — Lacey Chey Bowman

(51) **LOC (13) Cl.** ..... **16-01**

(74) *Attorney, Agent, or Firm* — Dragon Sun Law Firm, PC; Jinggao Li, Esq.; Nathaniel Perkins

(52) **U.S. Cl.**

USPC ..... **D16/200**; D16/203

(58) **Field of Classification Search**

USPC ..... D16/200–204, 207–208; D10/61, 65, 70, D10/71, 104.1, 106.6; D14/203.1

CPC ..... G03B 15/03; G03B 17/02; G03B 17/04; G03B 17/56; G03B 19/04; H04N 7/141; H04N 7/142; H04N 7/147; H04N 7/148; H04N 7/15; H04N 7/152; H04N 5/2251; H04N 5/2252; H04N 5/2253; H04N 5/2254; H04N 5/23216; H04N 5/232939; H04N 2101/00; H04N 2007/145

See application file for complete search history.

(57) **CLAIM**

The ornamental design for a hunt camera, as shown and described.

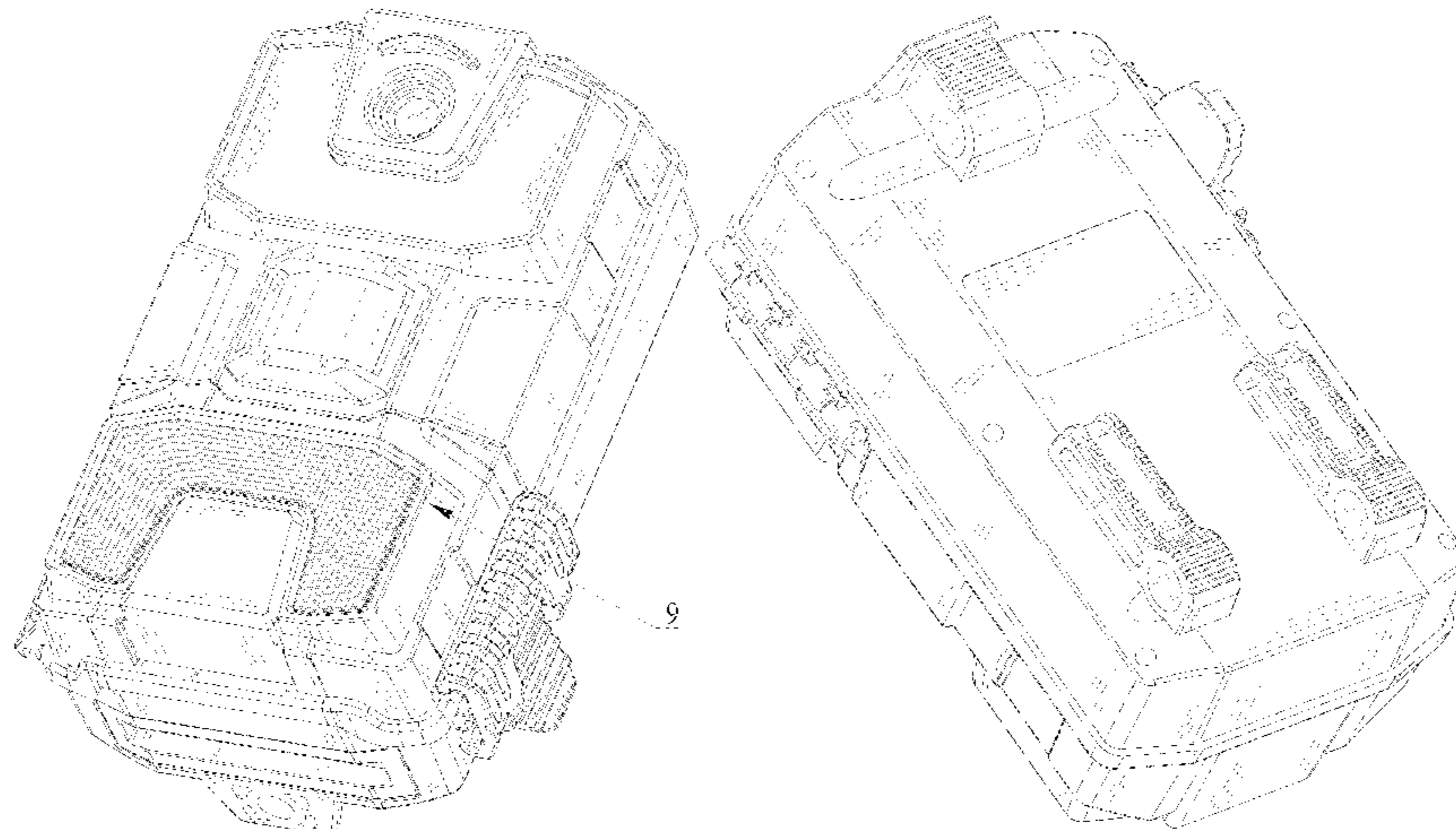
(56) **References Cited**

U.S. PATENT DOCUMENTS

D838,763 S \* 1/2019 Yu ..... D16/218  
D874,537 S \* 2/2020 Ye ..... D16/203  
D874,546 S \* 2/2020 Yu ..... D16/218  
D874,547 S \* 2/2020 Yu ..... D16/218  
D880,555 S \* 4/2020 Yu ..... D16/203  
D883,359 S \* 5/2020 Ren ..... D16/203  
D910,734 S \* 2/2021 Yu ..... D16/218

(Continued)

**1 Claim, 9 Drawing Sheets**



(56)

**References Cited**

U.S. PATENT DOCUMENTS

D918,986 S \* 5/2021 Yu ..... D16/218  
D921,735 S \* 6/2021 Yu ..... D16/203

OTHER PUBLICATIONS

“Nasitos Wifi Trail Camera with APP Control,30 MP 4K Game Camera Bluetooth Wireless Trail cam for Hunting,65FT Night Vision 0.2S Motion Activated Camera with Low Glow IR LEDs,120° Wide Angle 2"LCD” from Amazon.com, first available Nov. 19, 2021 from the internet <<https://www.amazon.com/dp/B09M83T5WD/>> (Year: 2021).\*

\* cited by examiner

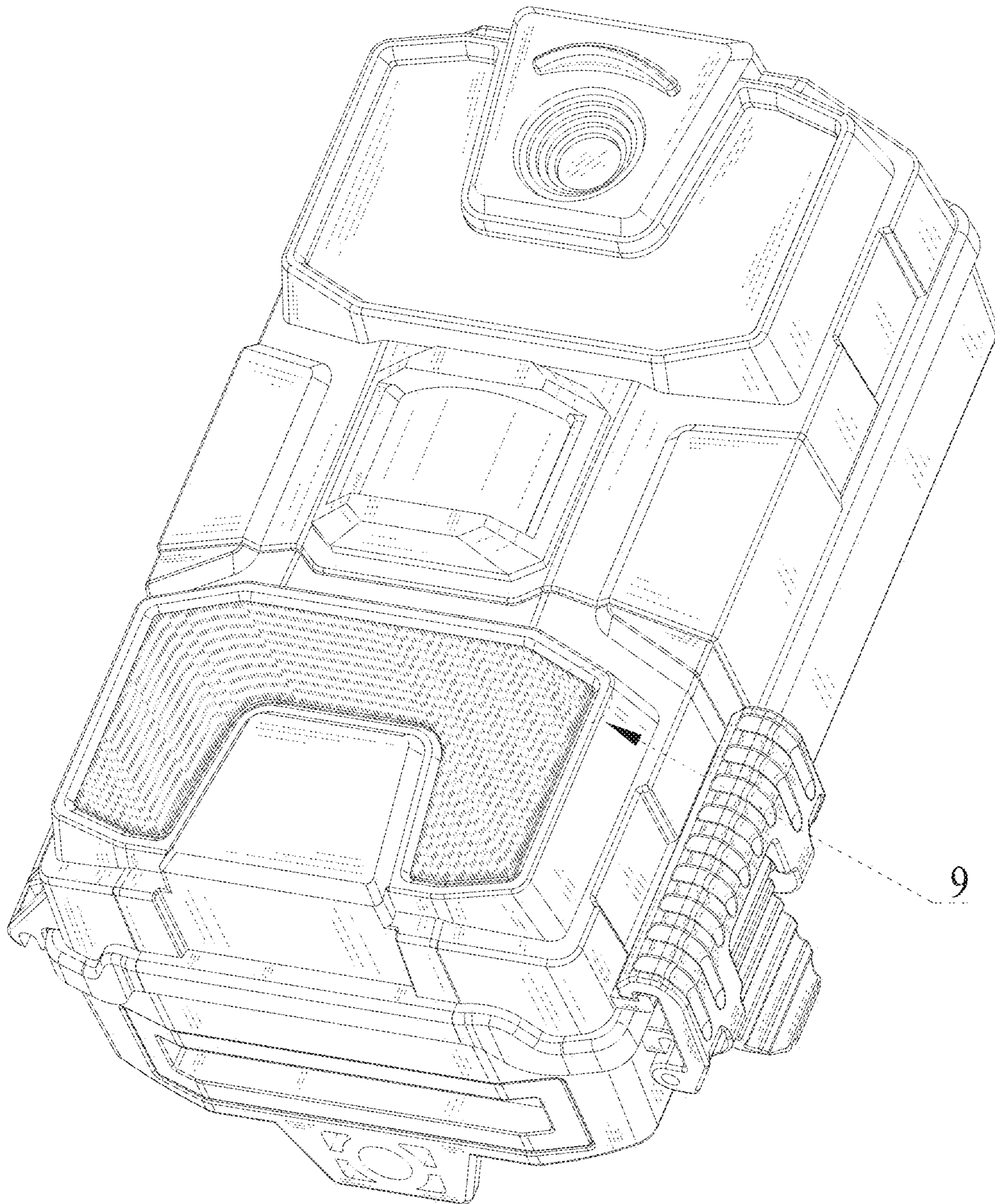


FIG. 1

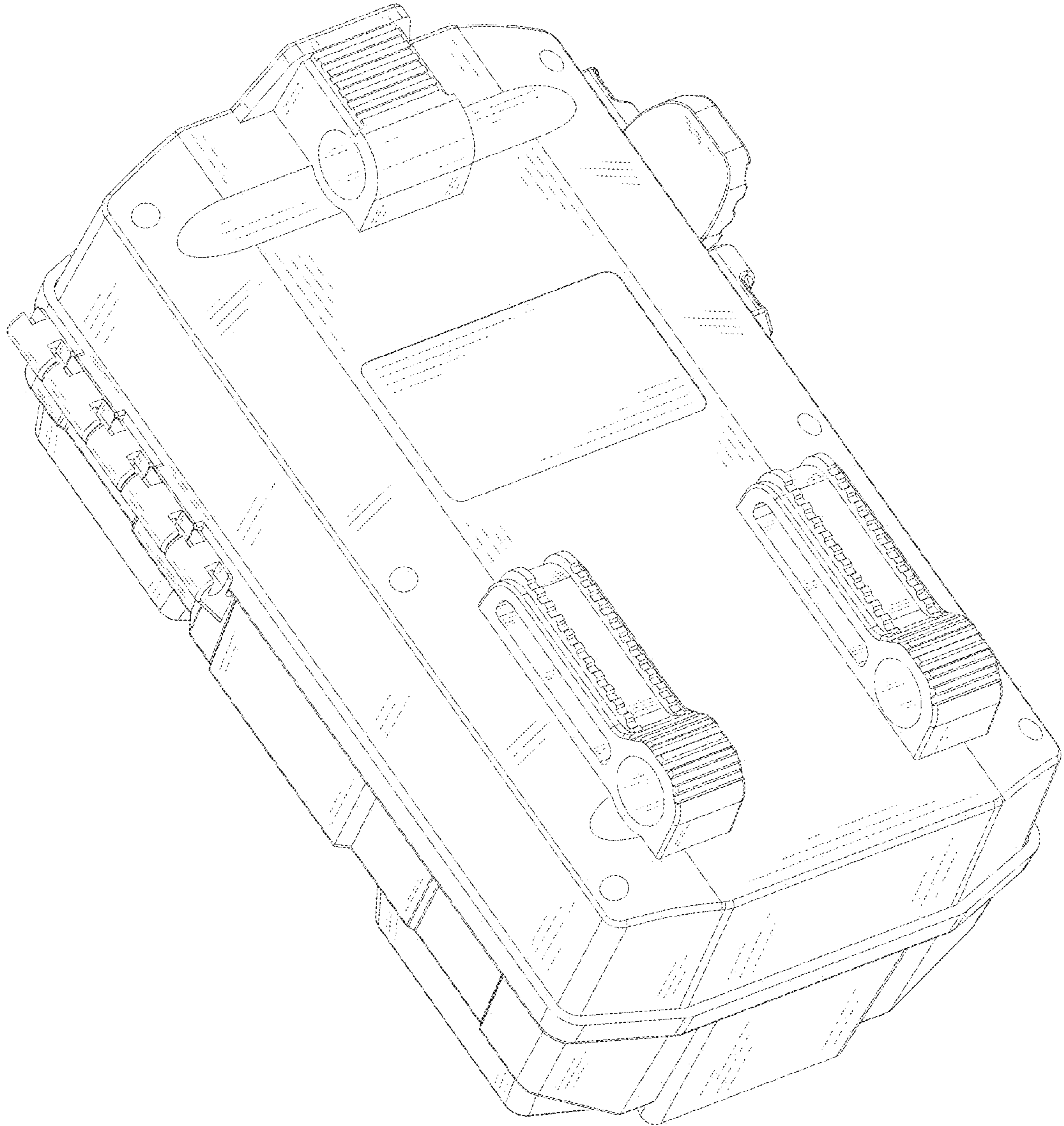


FIG. 2

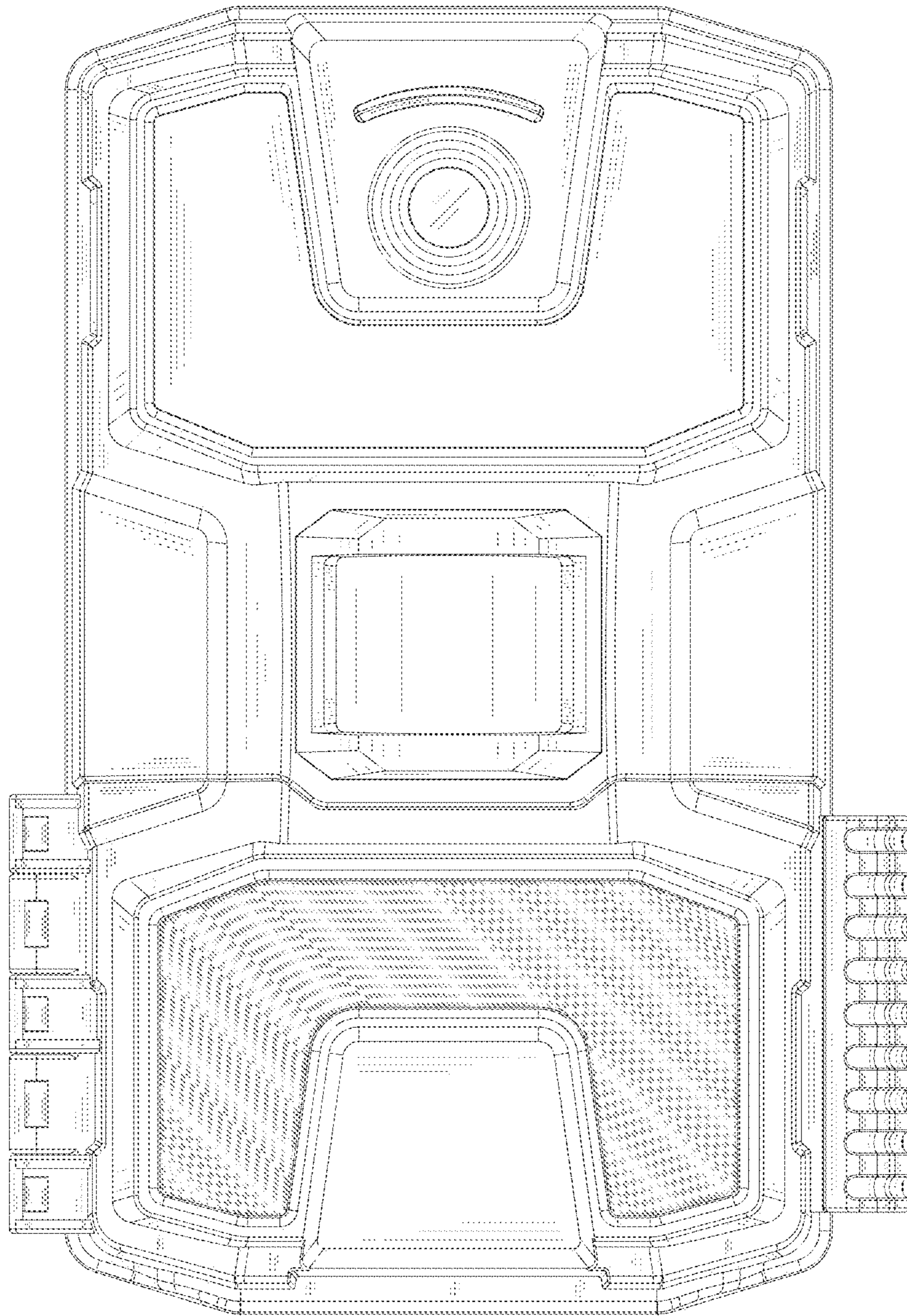


FIG. 3

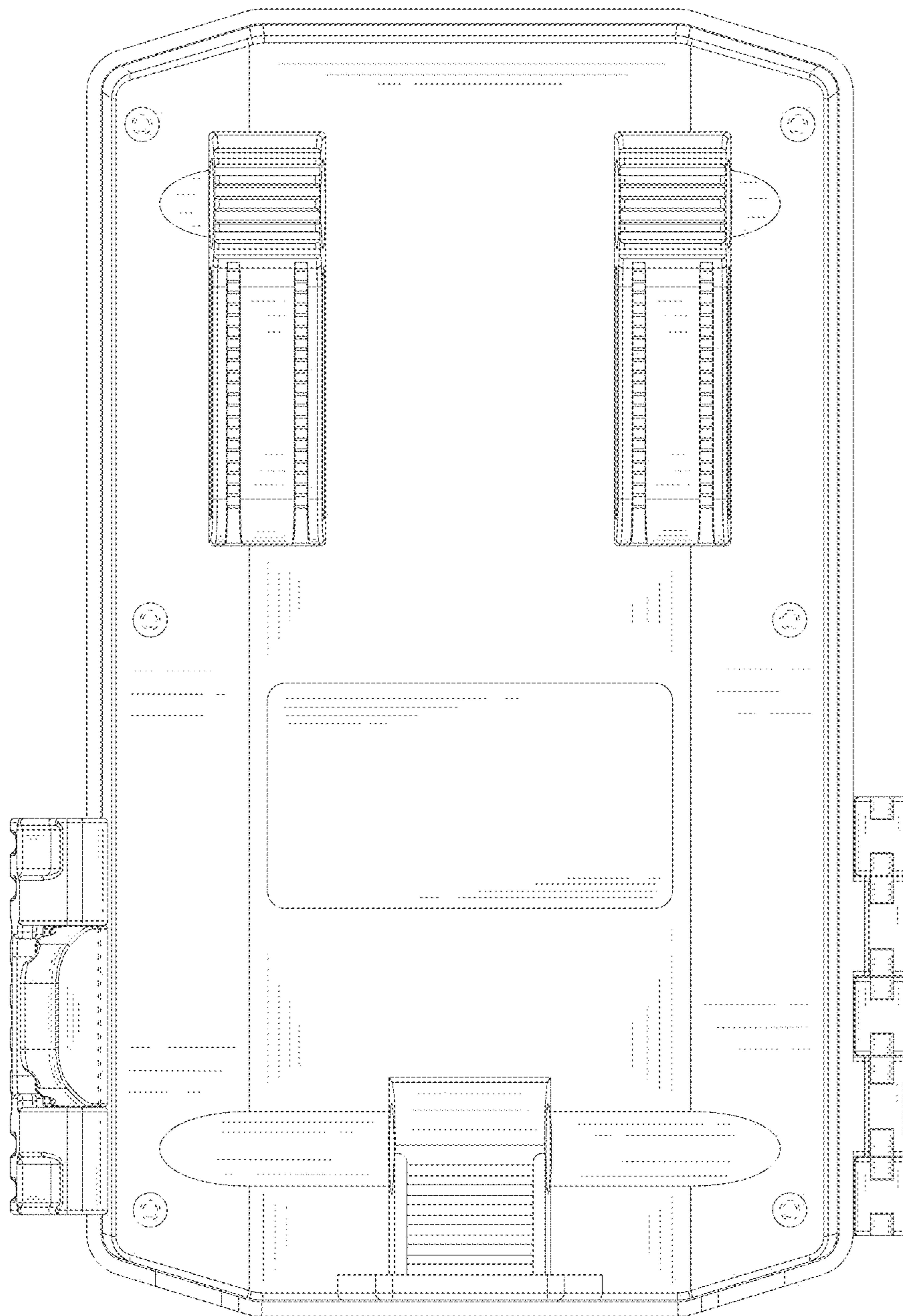


FIG. 4

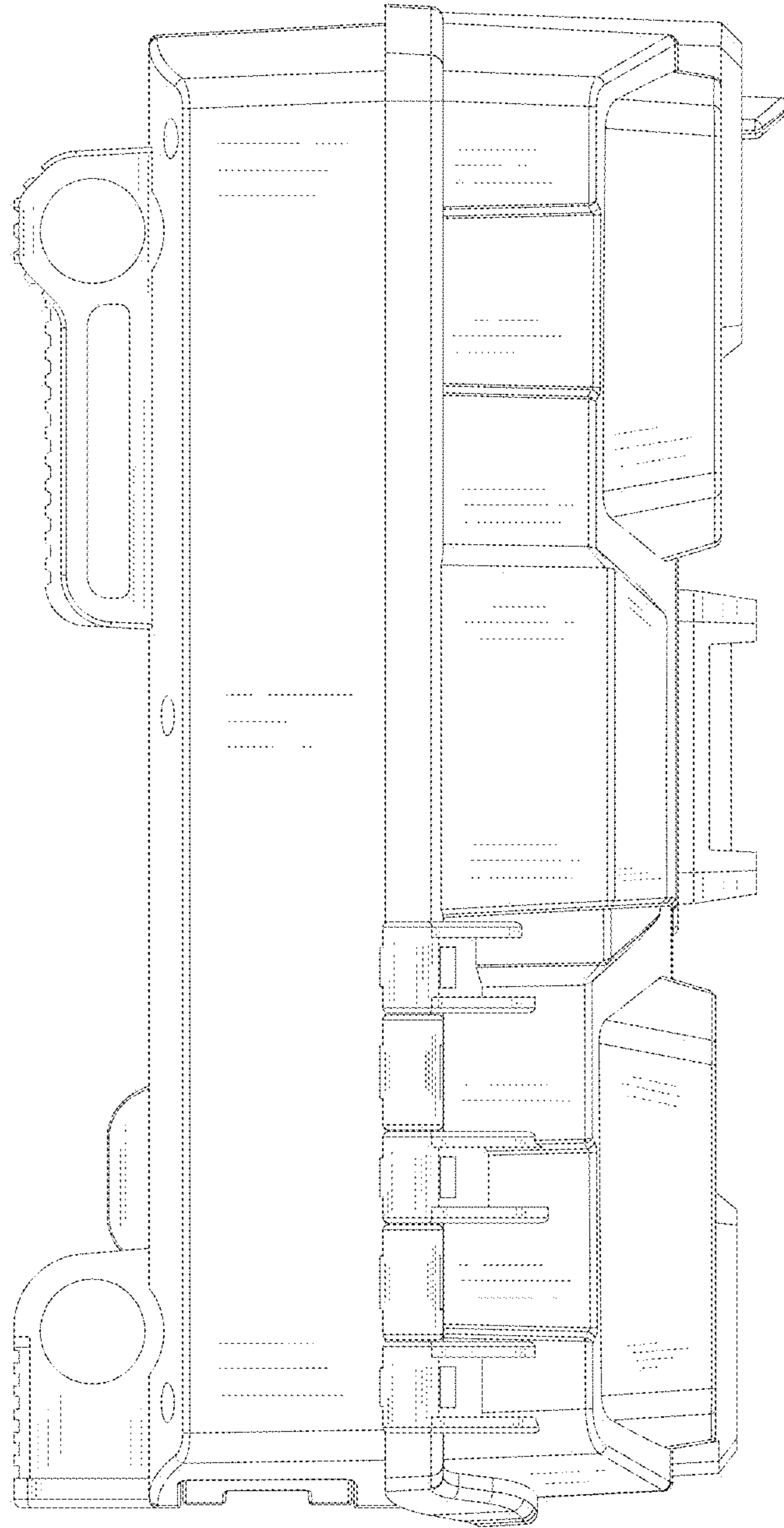


FIG. 5

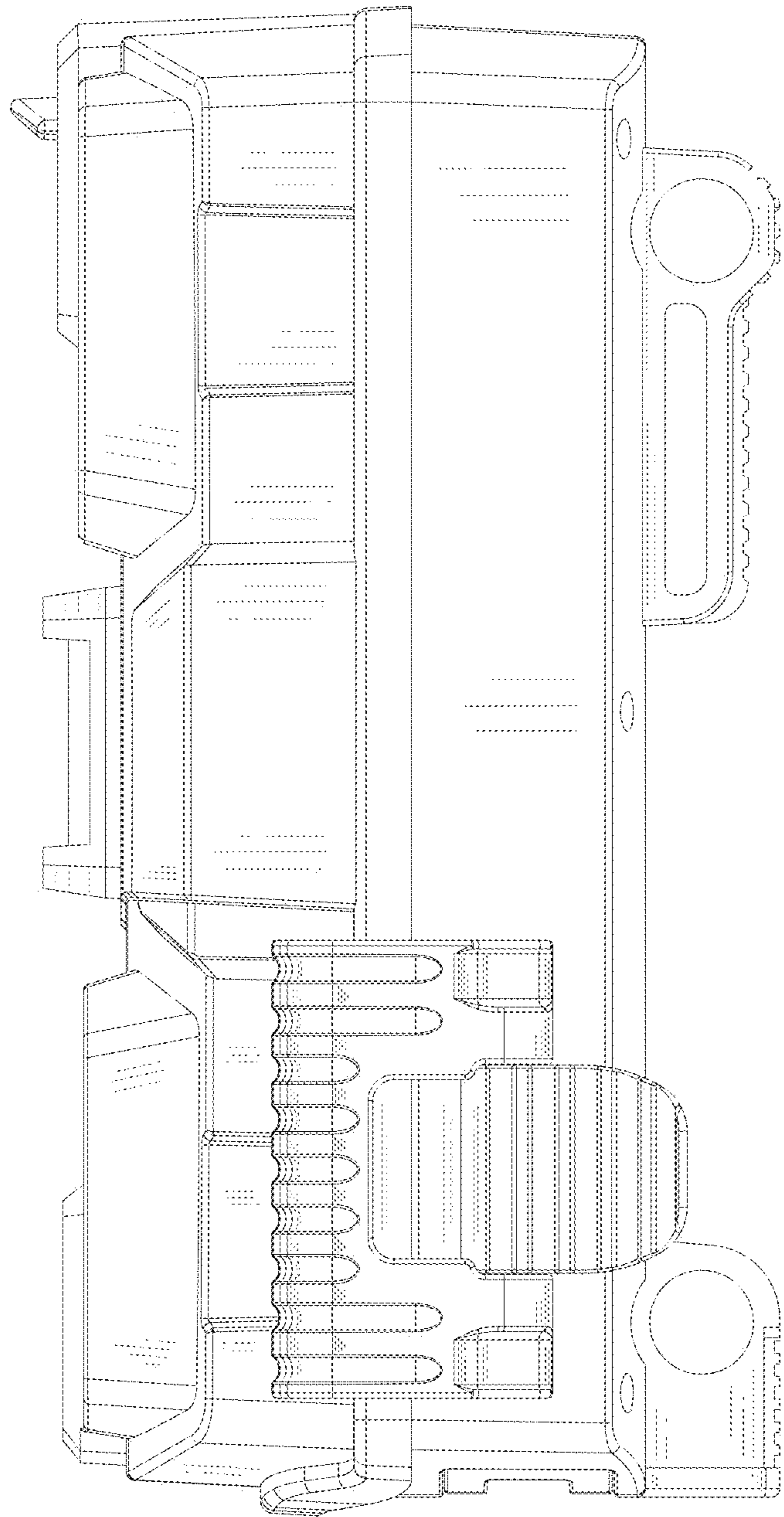


FIG. 6



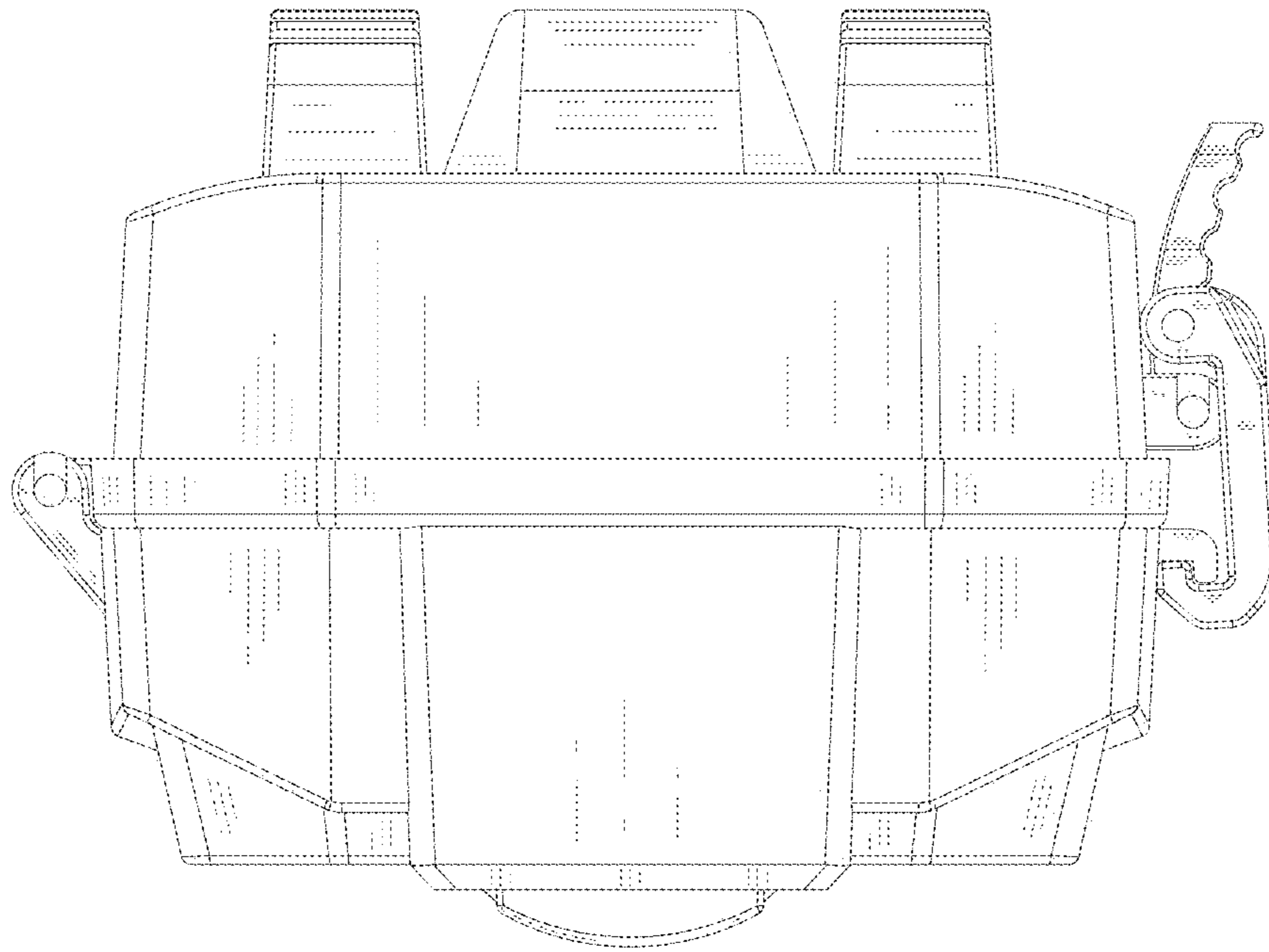


FIG. 7

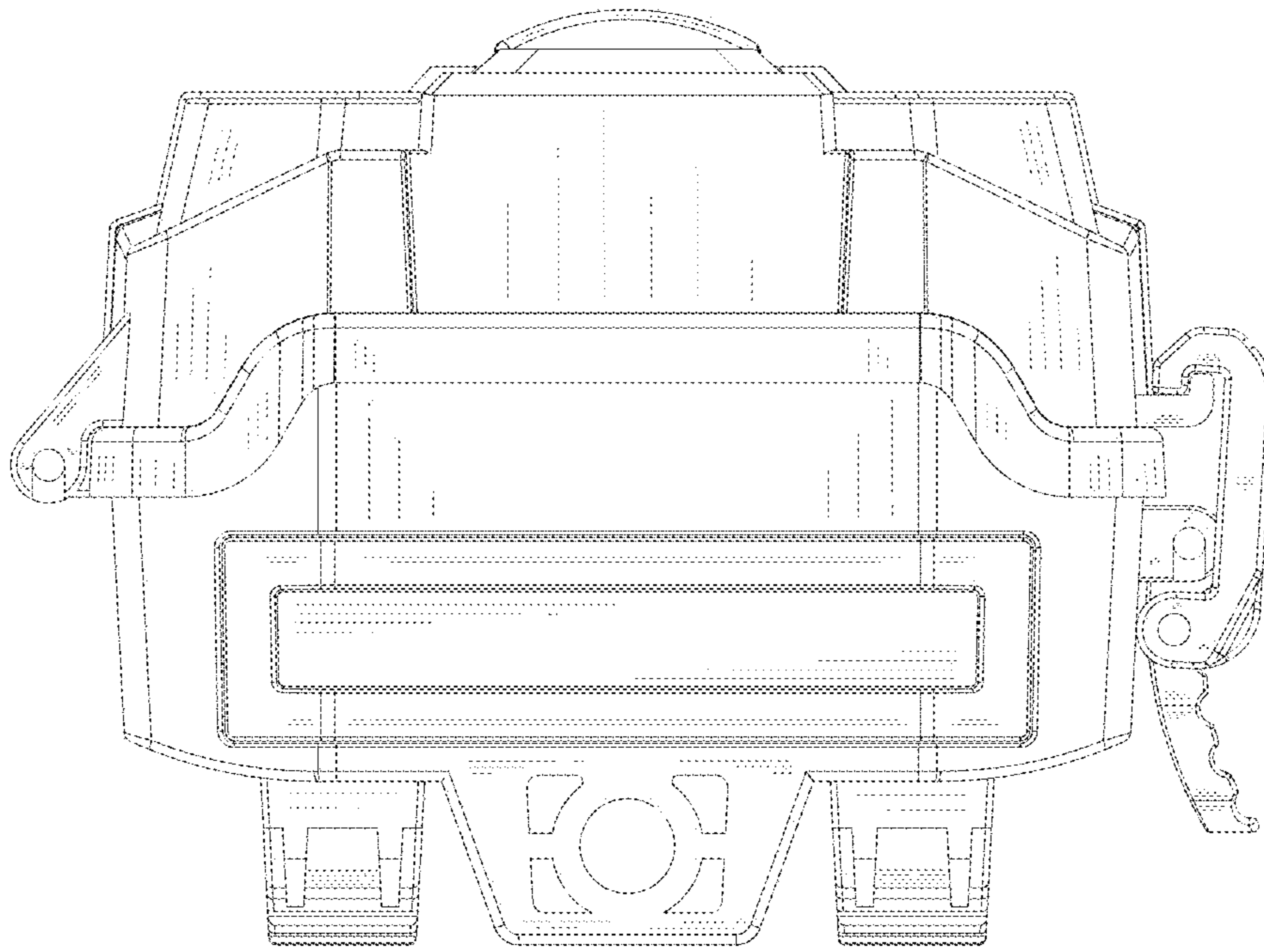


FIG. 8

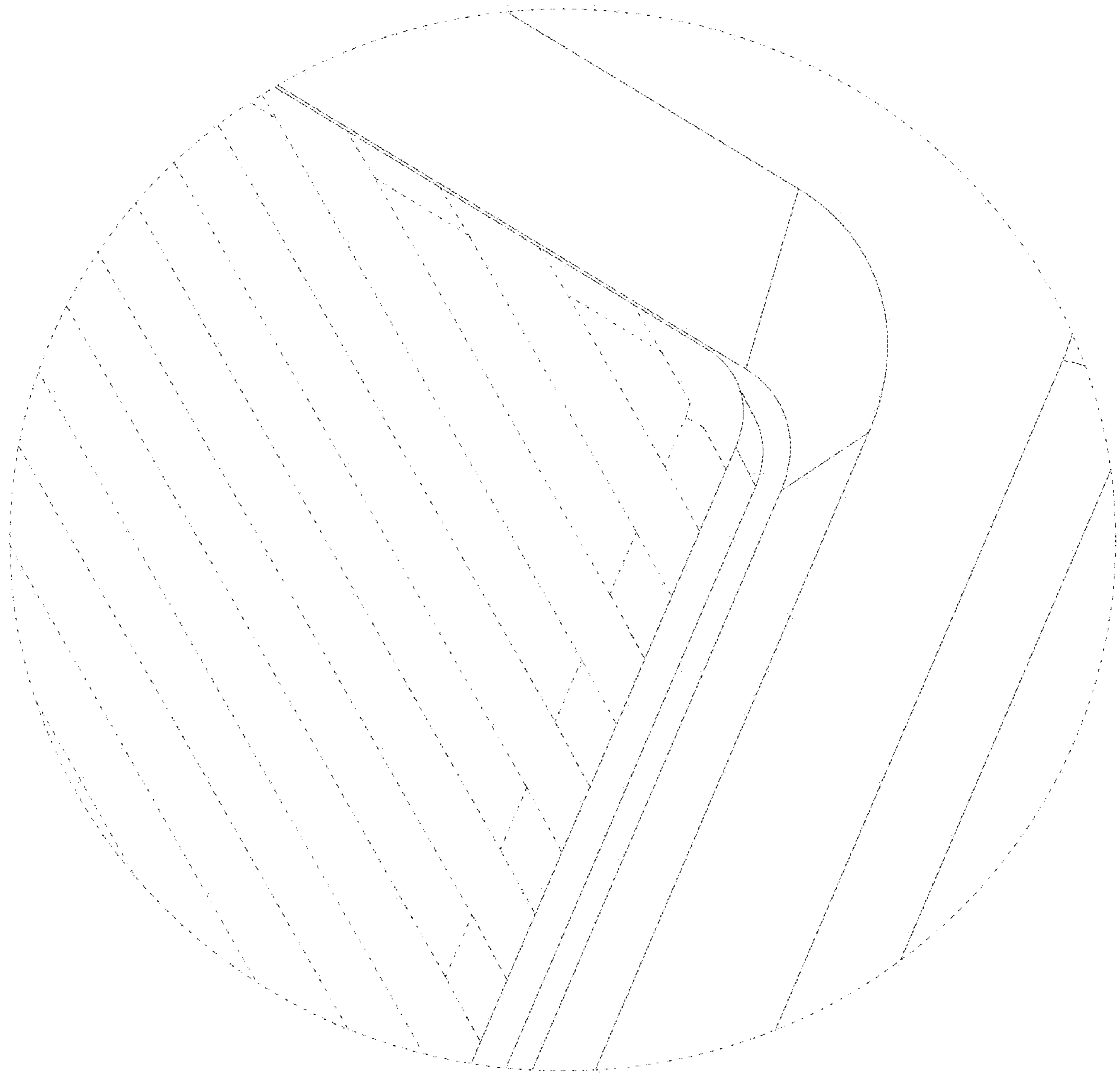


FIG. 9