



US00D956847S

(12) **United States Design Patent**
Yu

(10) **Patent No.:** **US D956,847 S**
(45) **Date of Patent:** **** Jul. 5, 2022**

(54) **HUNT CAMERA**

(71) Applicant: **Shenzhen Longzhiyuan Technology Co., Ltd.**, Shenzhen (CN)

(72) Inventor: **Mengchu Yu**, Shenzhen (CN)

(73) Assignee: **SHENZHEN LONGZHUYUAN TECHNOLOGY CO., LTD.**, Shenzhen (CN)

(**) Term: **15 Years**

(21) Appl. No.: **29/759,642**

(22) Filed: **Nov. 24, 2020**

(30) **Foreign Application Priority Data**

Nov. 2, 2020 (CN) 202030657567.2

(51) **LOC (13) Cl.** **16-01**

(52) **U.S. Cl.**
USPC **D16/200**; D16/203

(58) **Field of Classification Search**
USPC D16/200–204, 207–208; D10/61, 65, 70, D10/71, 104.1, 106.6; D14/203.1
CPC G03B 15/03; G03B 17/02; G03B 17/04; G03B 17/56; G03B 19/04; H04N 7/141; H04N 7/142; H04N 7/147; H04N 7/148; H04N 7/15; H04N 7/152; H04N 5/2251; H04N 5/2252; H04N 5/2253; H04N 5/2254; H04N 5/23216; H04N 5/232939; H04N 2101/00; H04N 2007/145
See application file for complete search history.

(56) **References Cited**

U.S. PATENT DOCUMENTS

D838,763 S * 1/2019 Yu D16/218
D874,537 S * 2/2020 Ye D16/203
D874,546 S * 2/2020 Yu D16/218
D874,547 S * 2/2020 Yu D16/218

D880,555 S * 4/2020 Yu D16/203
D883,359 S * 5/2020 Ren D16/203
D910,734 S * 2/2021 Yu D16/218
D918,986 S * 5/2021 Yu D16/218
D921,735 S * 6/2021 Yu D16/203

FOREIGN PATENT DOCUMENTS

CN 305603666 * 2/2020
CN 306423496 * 3/2021

OTHER PUBLICATIONS

“Covert MP9 Camera, Multicolor (CC8038)” from Amazon.com, first available Mar. 24, 2021 from the internet <<https://www.amazon.com/Covert-MP9-Camera-Multicolor-CC8038/dp/B08ZYX8XMZ>> (Year: 2021).*

(Continued)

Primary Examiner — Michelle E. Wilson

Assistant Examiner — Lacey Chey Bowman

(74) *Attorney, Agent, or Firm* — Dragon Sun Law Firm, PC; Jinggao Li, Esq.; Nathaniel Perkins

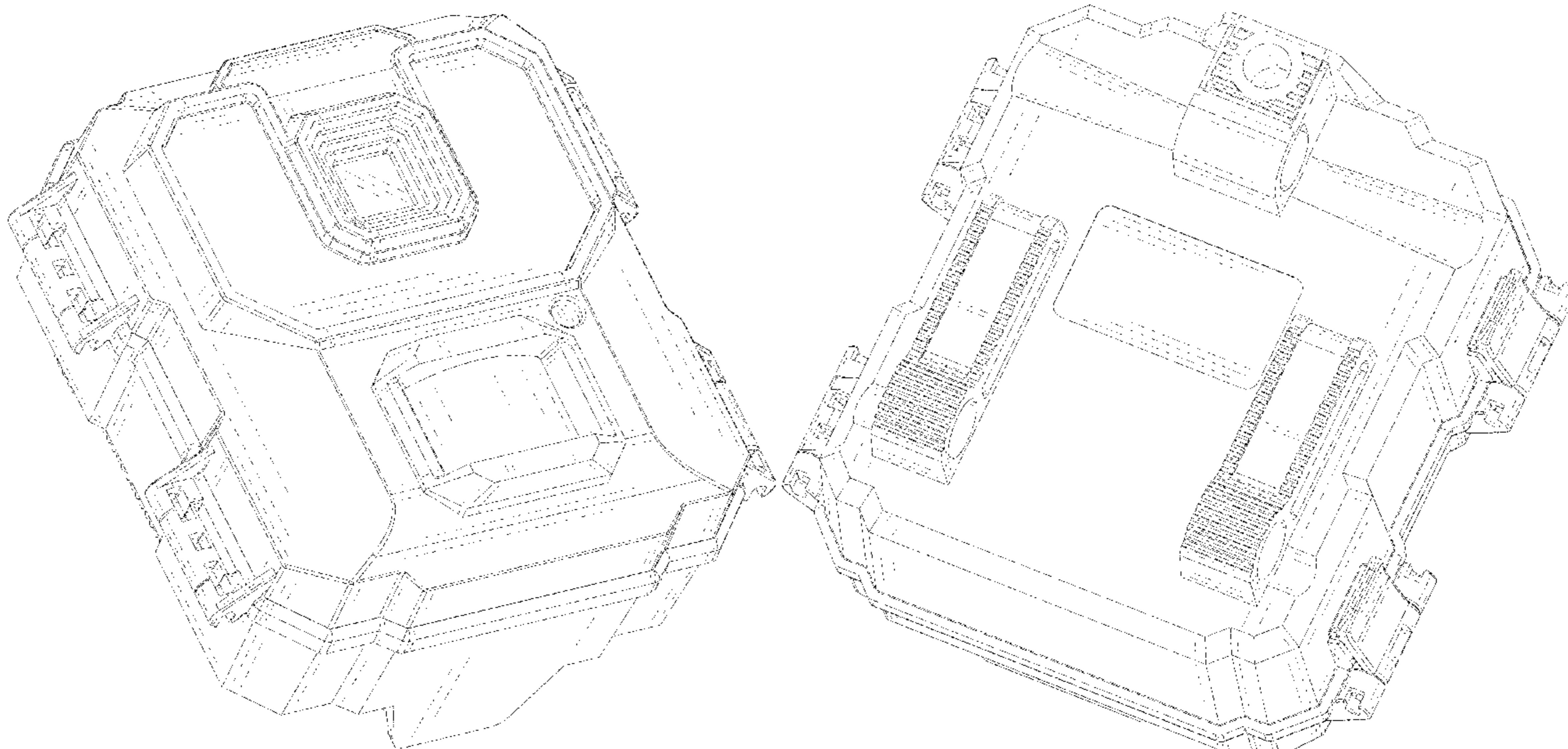
(57) **CLAIM**

The ornamental design for a hunt camera, as shown and described.

DESCRIPTION

FIG. 1 is a perspective view of a hunt camera showing my new design;
FIG. 2 is another perspective view of FIG. 1
FIG. 3 is a front view of FIG. 1;
FIG. 4 is a rear view of FIG. 1;
FIG. 5 is a left view of FIG. 1;
FIG. 6 is a right view of FIG. 1;
FIG. 7 is a top view of FIG. 1; and,
FIG. 8 is bottom view of FIG. 1.
The broken lines illustrate portions of the hunt camera that form no part of the claimed design.

1 Claim, 8 Drawing Sheets



(56)

References Cited

OTHER PUBLICATIONS

“4K 30MP Trail Camera, BSTCAM Hunting Game Camera 0.2s Trigger Time Trail Cam, Deer Camera with Night Vision Motion Activated, IP67 Waterproof Wireless GPS Trail Camera for Outdoor Wildlife Monitoring” from Amazon.com, first available Jun. 15, 2021 from the internet <<https://www.amazon.com/dp/B09377JM72/>> (Year: 2021).*

* cited by examiner

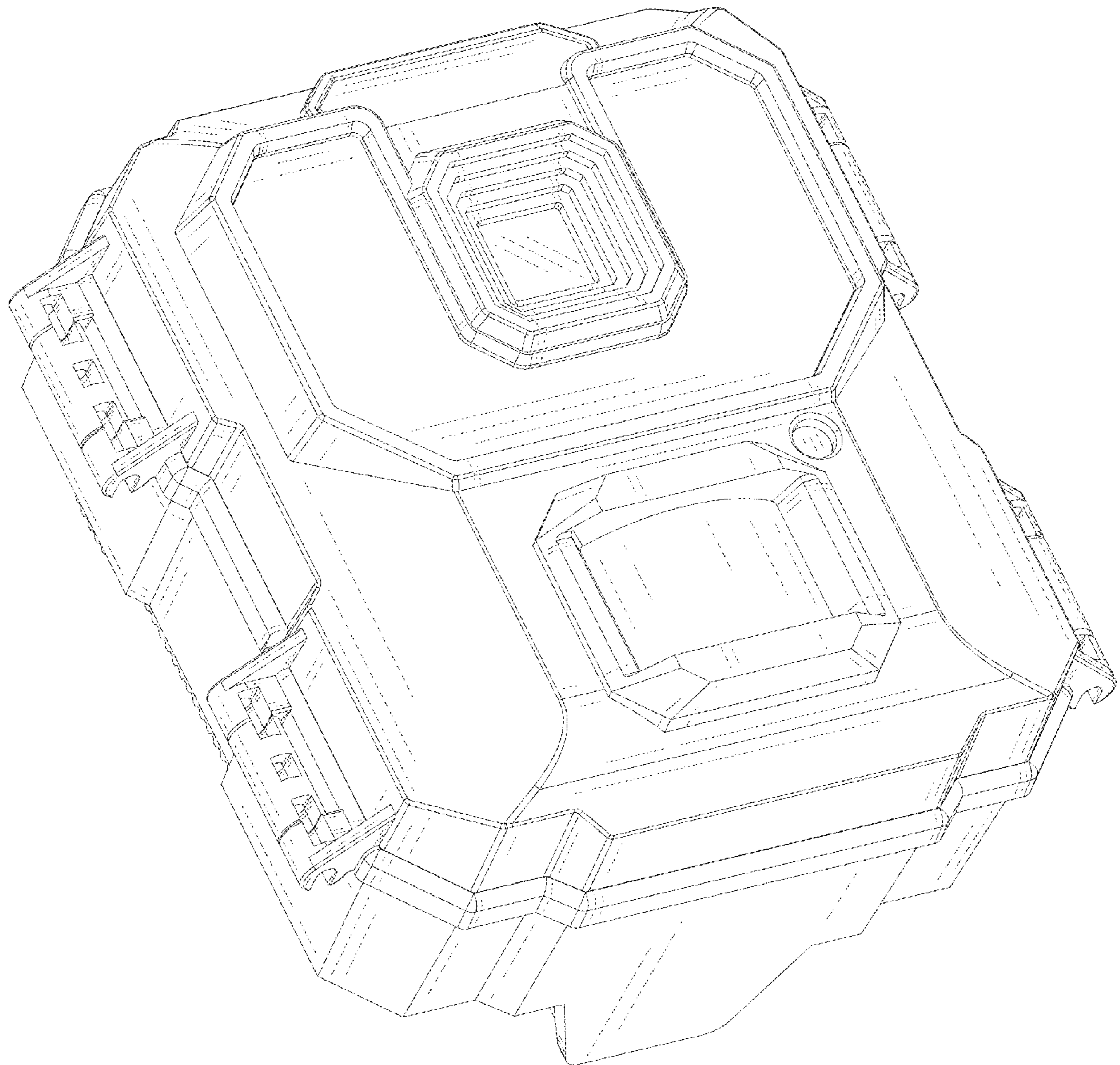


FIG. 1

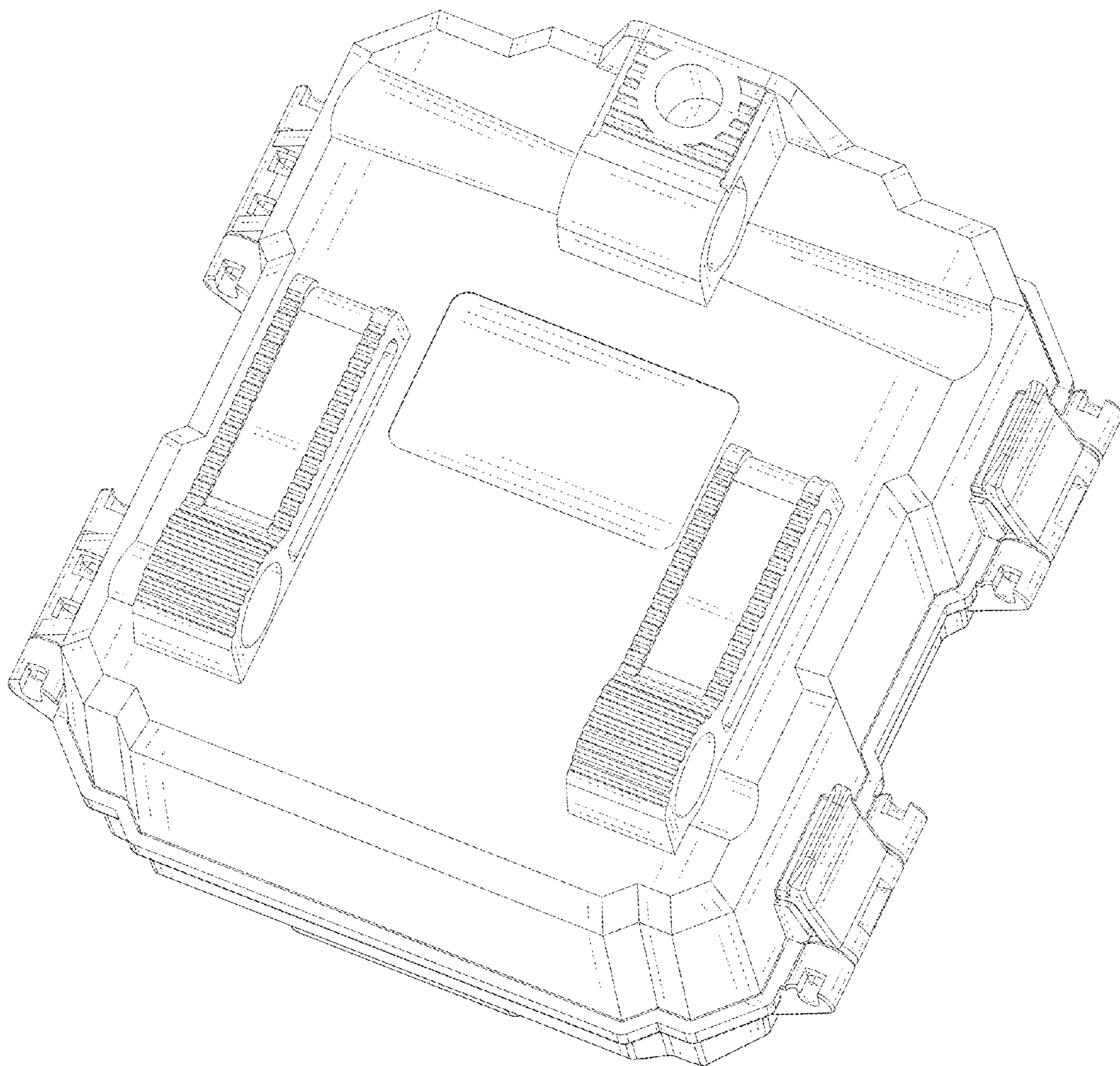


FIG. 2

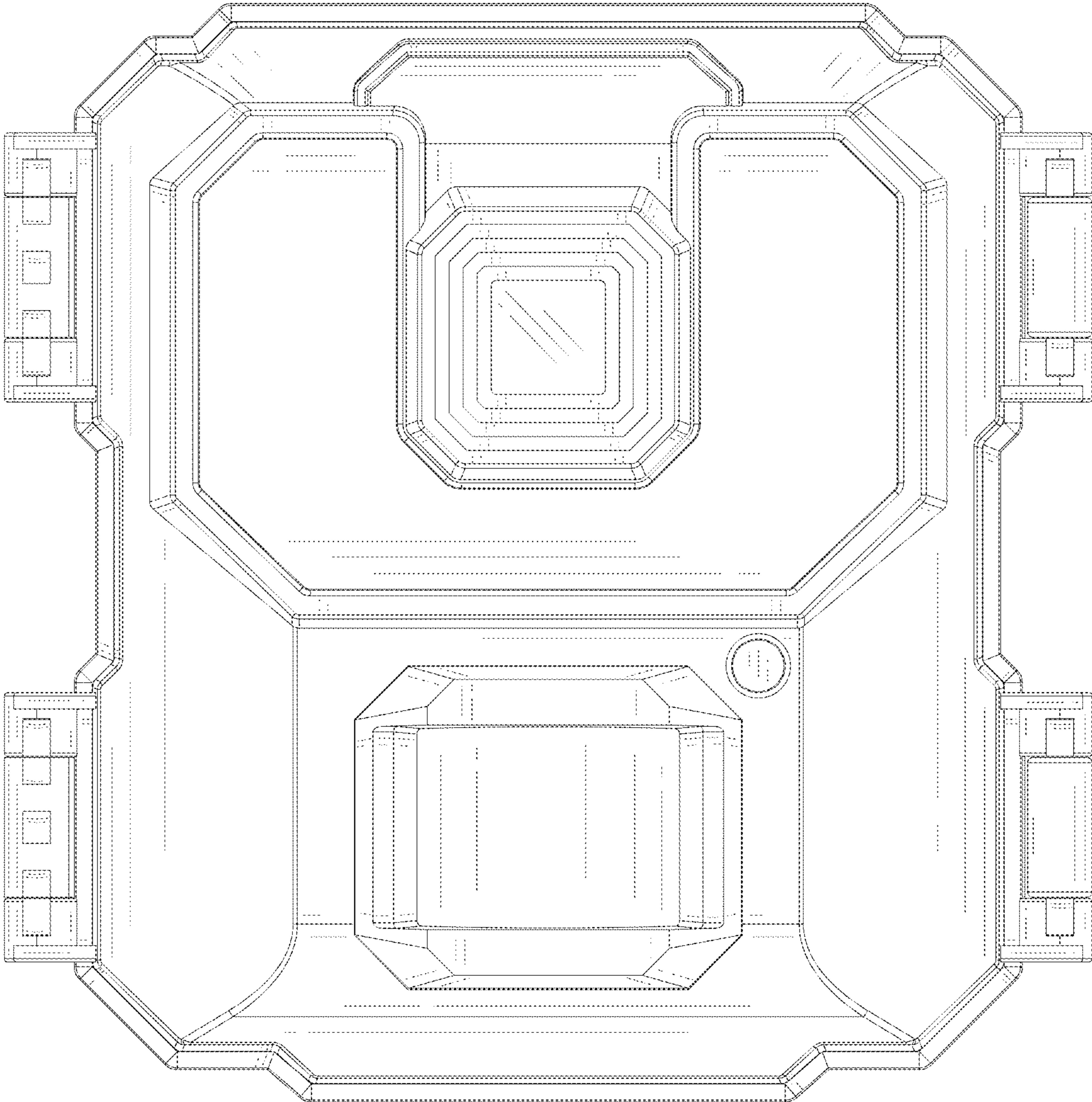


FIG. 3

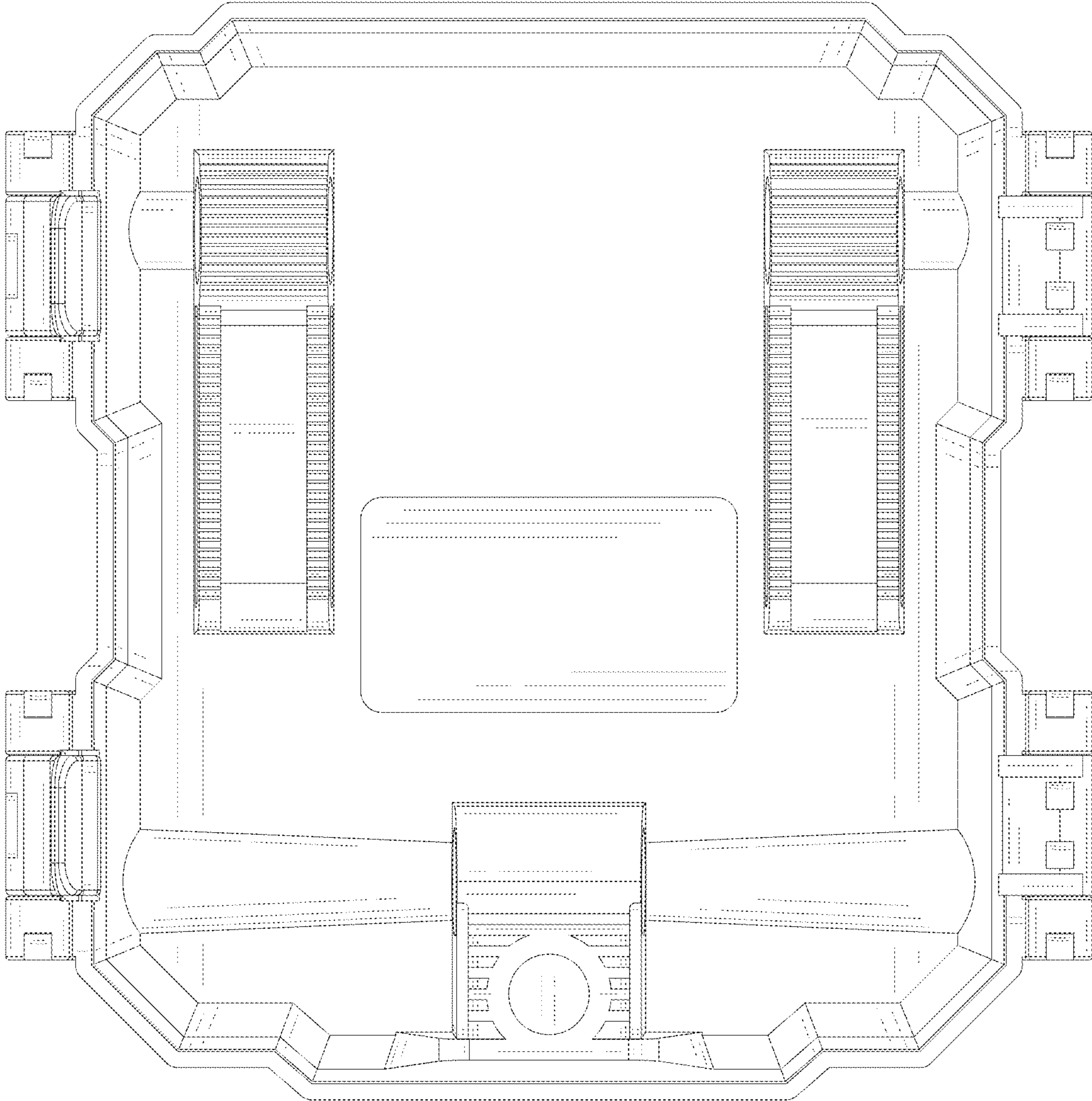


FIG. 4

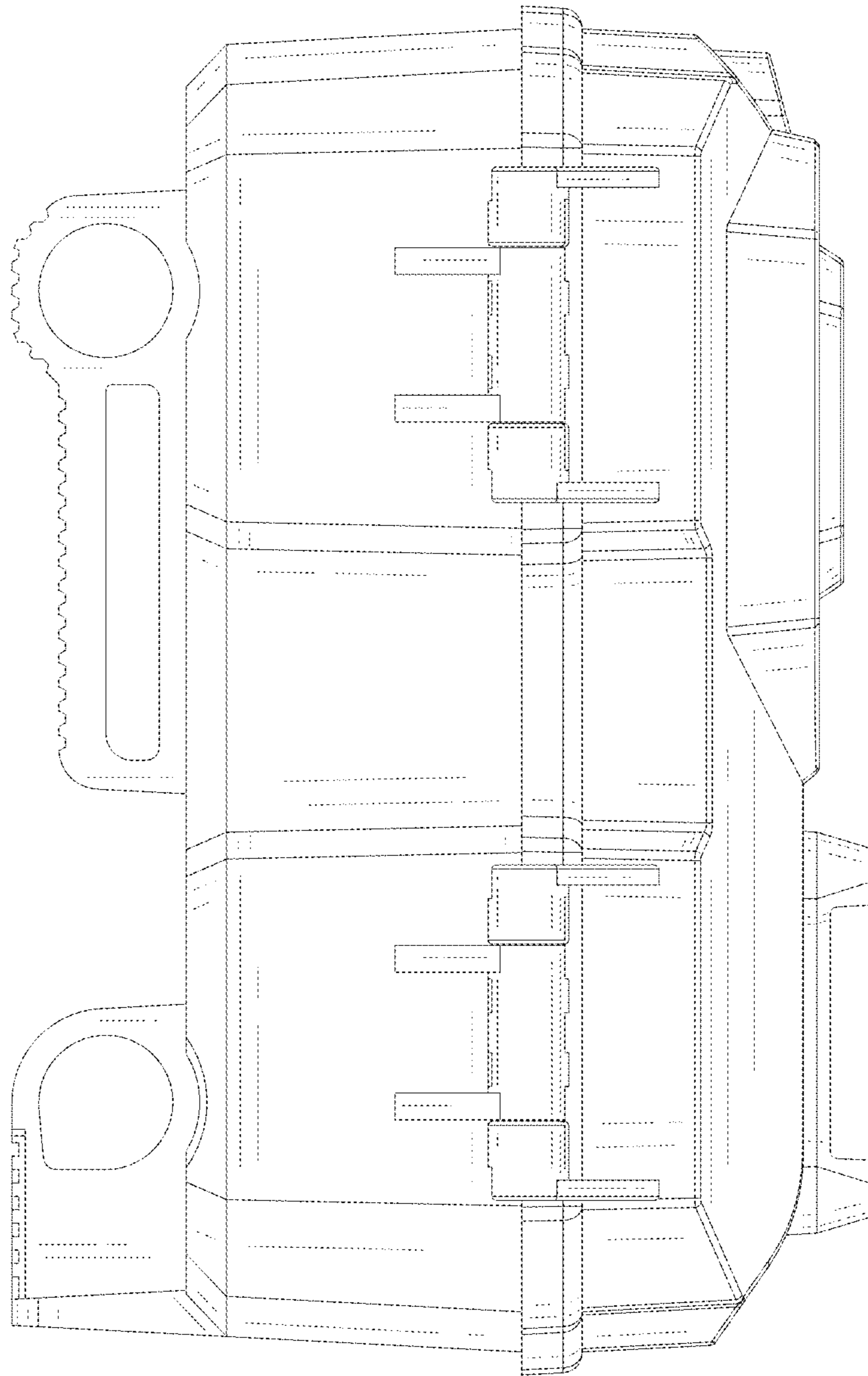


FIG. 5

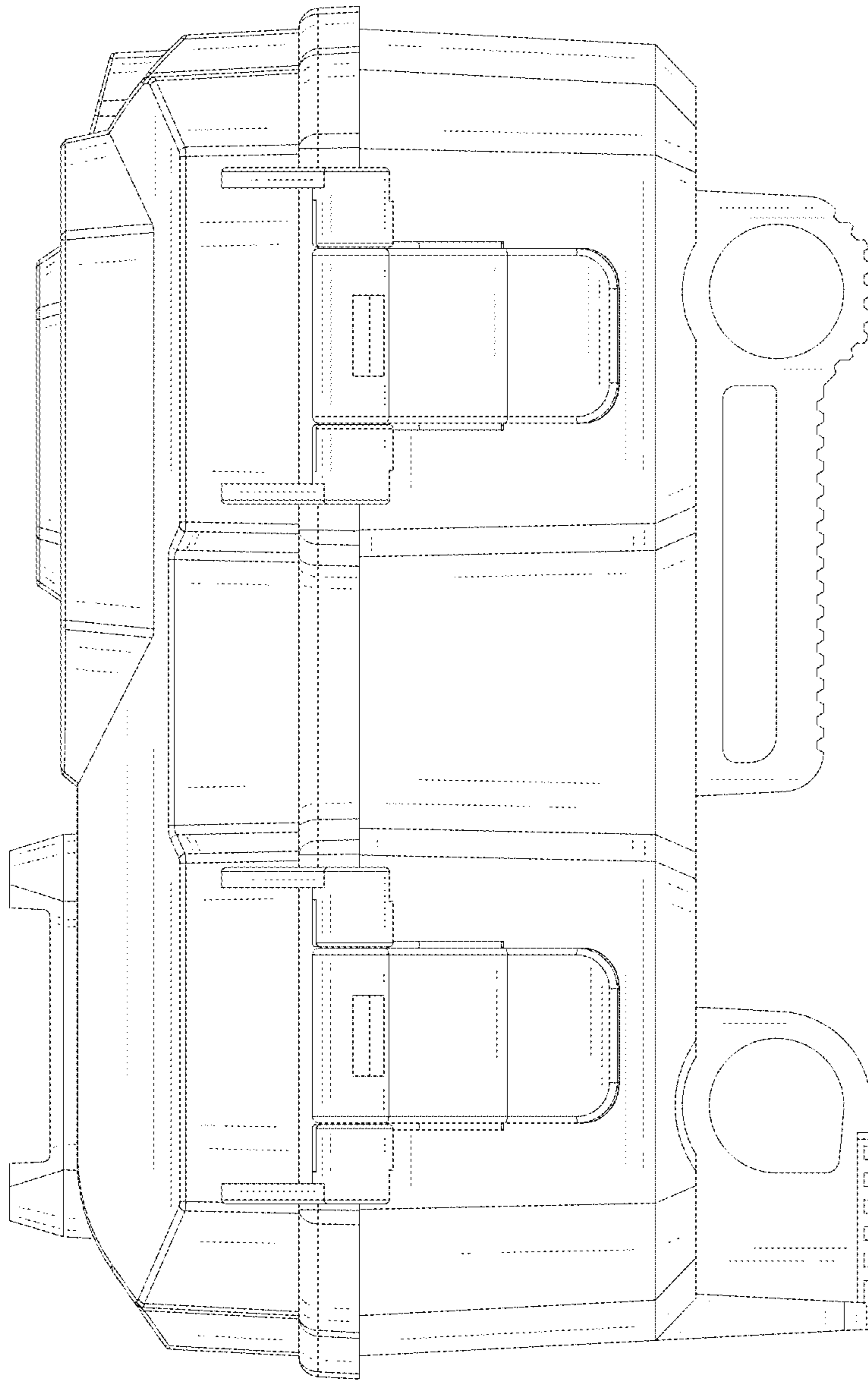


FIG. 6

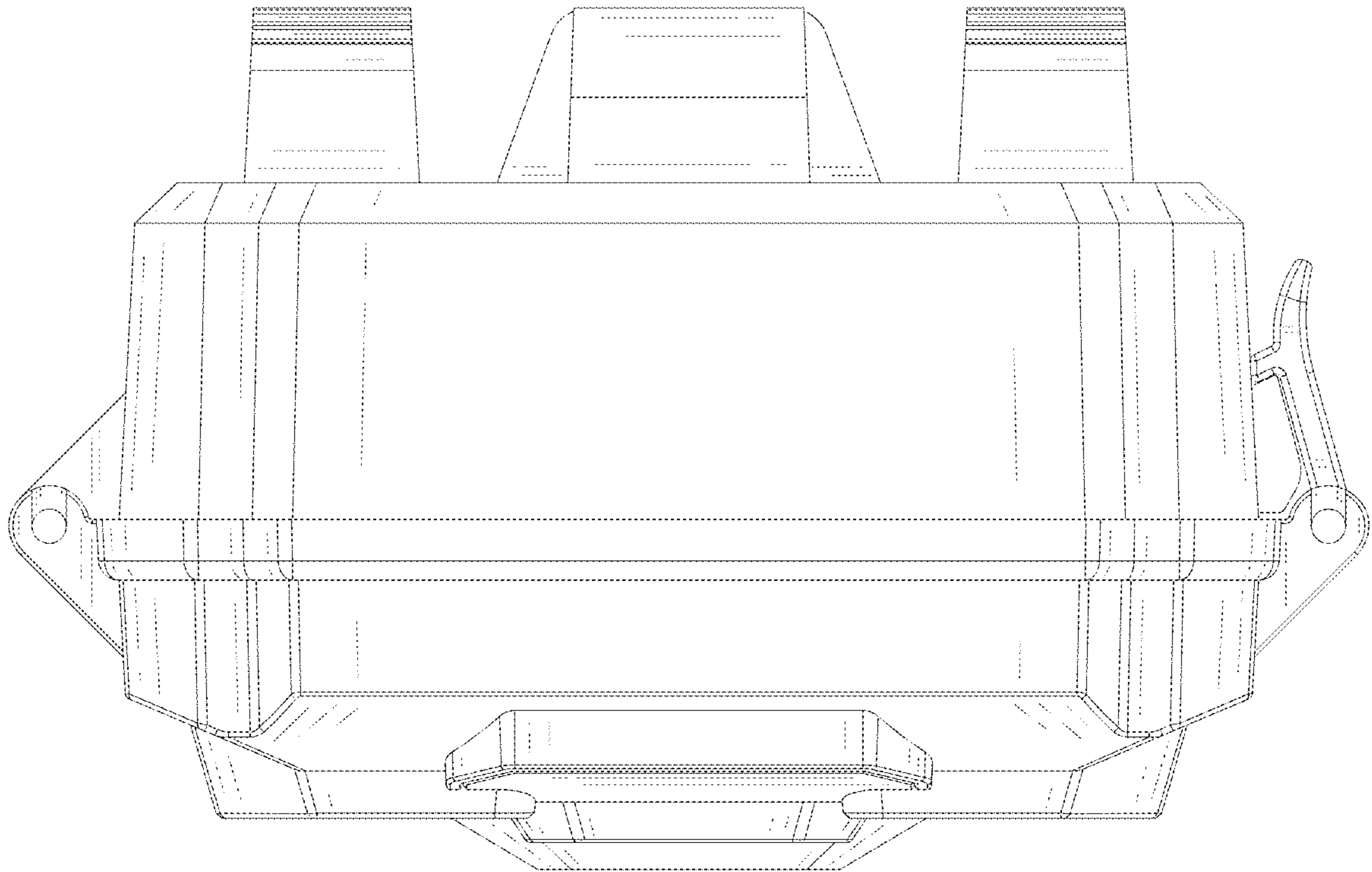


FIG. 7

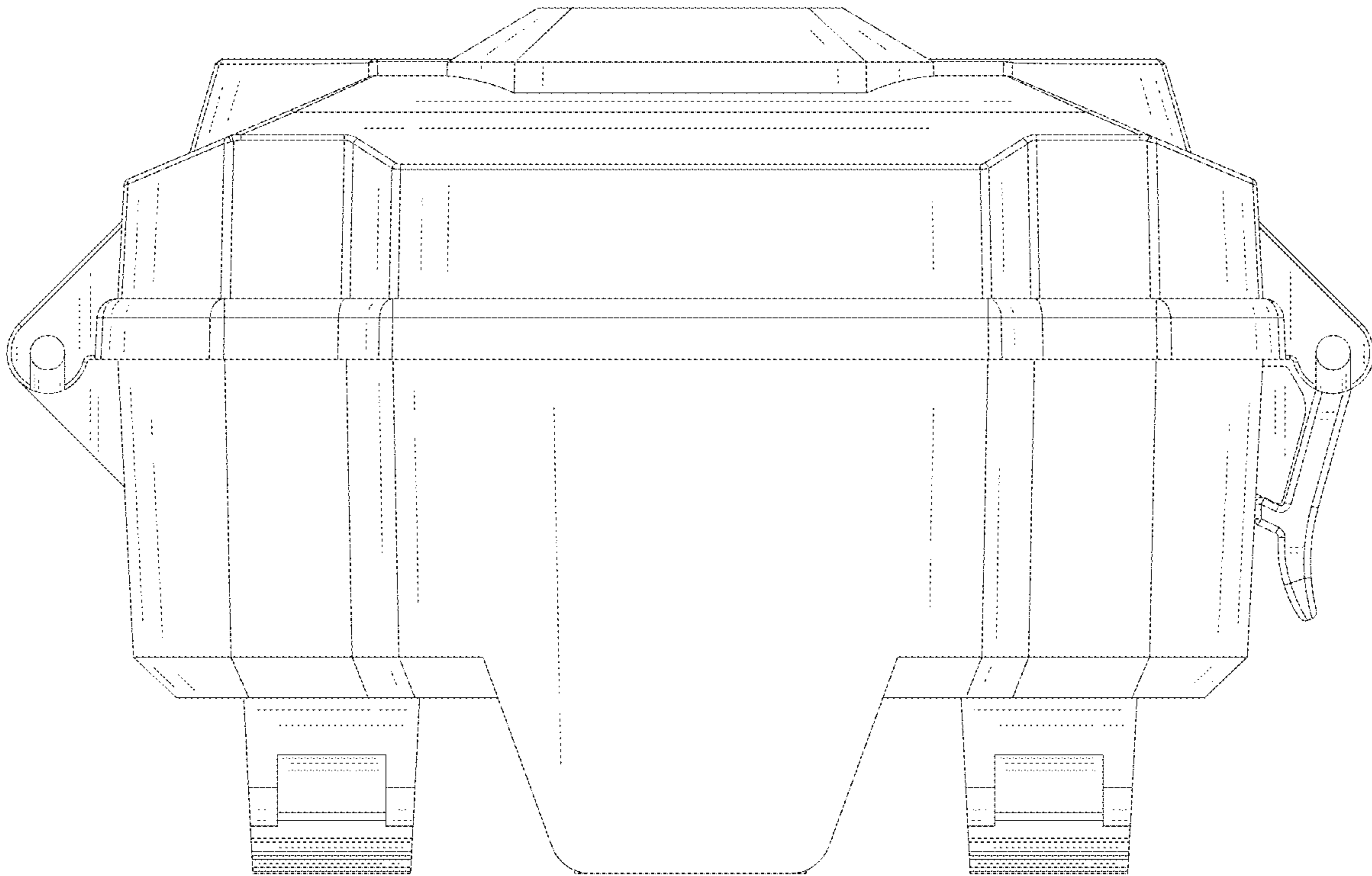


FIG. 8