



US00D956845S

(12) **United States Design Patent** (10) **Patent No.:** **US D956,845 S**
Plange (45) **Date of Patent:** **** Jul. 5, 2022**

- (54) **MAGNIFYING GLASSES WITH REMOVABLE LENS**
- (71) Applicant: **Richemont International SA**, Villars-sur-Glâne (CH)
- (72) Inventor: **Gerd Thomas Rudolf Plange**, Beringen (CH)
- (73) Assignee: **RICHEMONT INTERNATIONAL SA**, Villars-sur-Glâne (CH)
- (**) Term: **15 Years**
- (21) Appl. No.: **29/755,922**
- (22) Filed: **Oct. 23, 2020**
- (30) **Foreign Application Priority Data**
Apr. 24, 2020 (WO) 970051068
- (51) **LOC (13) Cl.** **16-06**
- (52) **U.S. Cl.**
USPC **D16/135**
- (58) **Field of Classification Search**
USPC D16/100, 130, 133, 135, 136, 310, 340
CPC . G02C 7/088; G02C 7/86; G02C 7/08; G02C 7/14; G02C 9/00
See application file for complete search history.

- (56) **References Cited**
U.S. PATENT DOCUMENTS
3,597,041 A * 8/1971 Frantz G02B 23/18 359/410
4,013,341 A * 3/1977 Riley G02B 23/20 359/408
D275,205 S * 8/1984 Nakayama D16/133
D389,826 S * 1/1998 Cousins D14/372
D409,637 S * 5/1999 Tomita D16/133

- 5,966,239 A * 10/1999 Shirayanagi G02B 7/002 359/411
- D711,949 S * 8/2014 Koenck D16/130
- D806,318 S * 12/2017 Yang D24/110.2
- D835,694 S * 12/2018 Dancsecs D16/130
- D840,396 S * 2/2019 Zhou D14/372
- D917,608 S * 4/2021 Bartlett D16/340

* cited by examiner

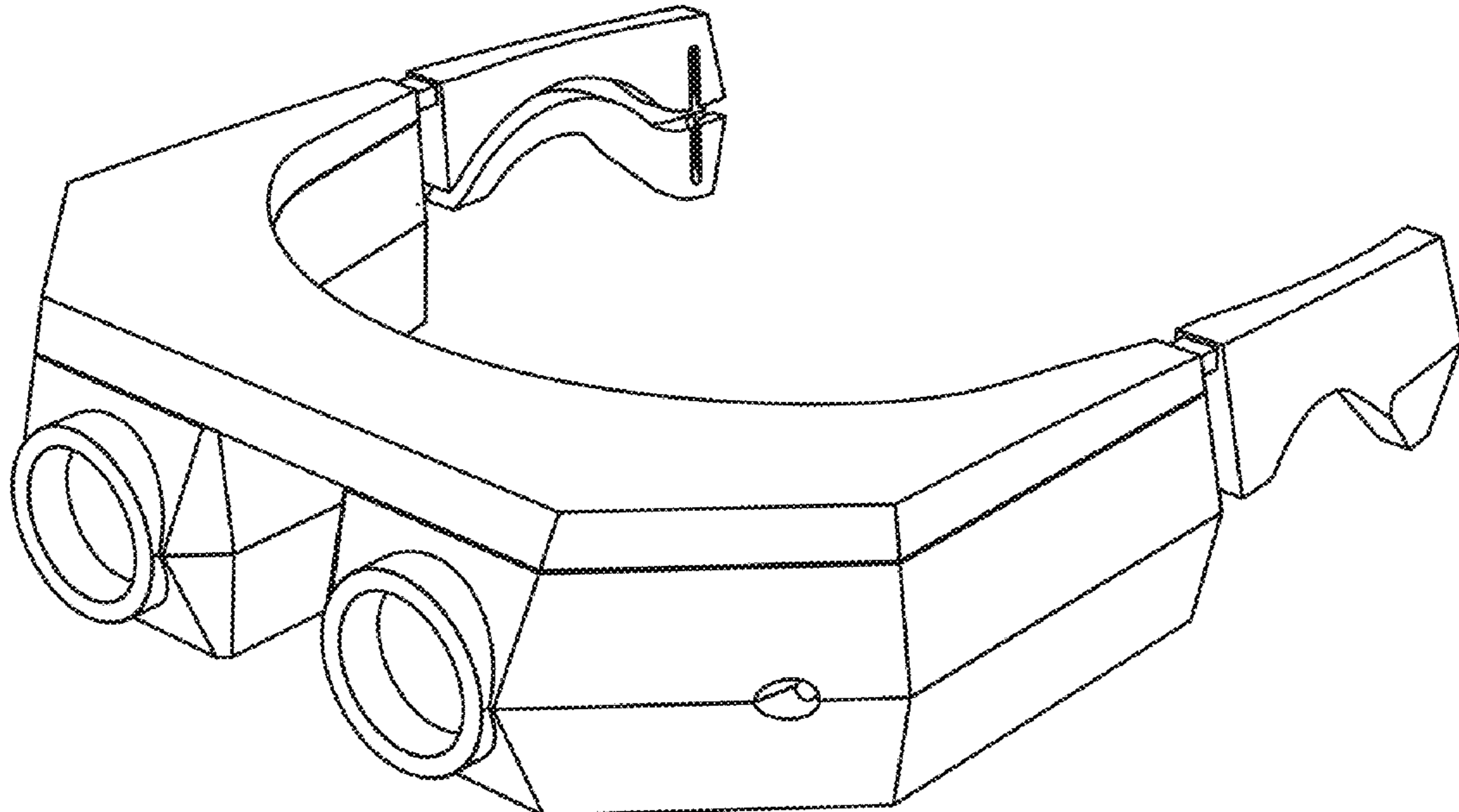
Primary Examiner — Richard Kearney
Assistant Examiner — Benjamin M Weeks
(74) *Attorney, Agent, or Firm* — Floss Zelnick Lehrman & Zissu, P.C.; Charles T. J. Weigell, Esq.

(57) **CLAIM**
The ornamental design for magnifying glasses with removable lens, as shown and described.

DESCRIPTION

FIG. 1 is a front elevational view of magnifying glasses with removable lens showing my new design;
FIG. 2 is a back elevational thereof;
FIG. 3 is a right side elevational view thereof;
FIG. 4 is a left side elevational view thereof;
FIG. 5 is a top plan view thereof;
FIG. 6 is a bottom plan view thereof;
FIG. 7 is a front, top, right side perspective view thereof;
FIG. 8 is a front, bottom, right side perspective view thereof;
FIG. 9 is a front, bottom, right side perspective view thereof illustrating an alternate configuration of the magnifying glasses with removable lens with one of the removable lenses removed from the frame; and,
FIG. 10 is a front, top, left side perspective view thereof illustrating an alternate configuration of the magnifying glasses with removable lens with both of the removable lenses removed from the frame.

1 Claim, 10 Drawing Sheets



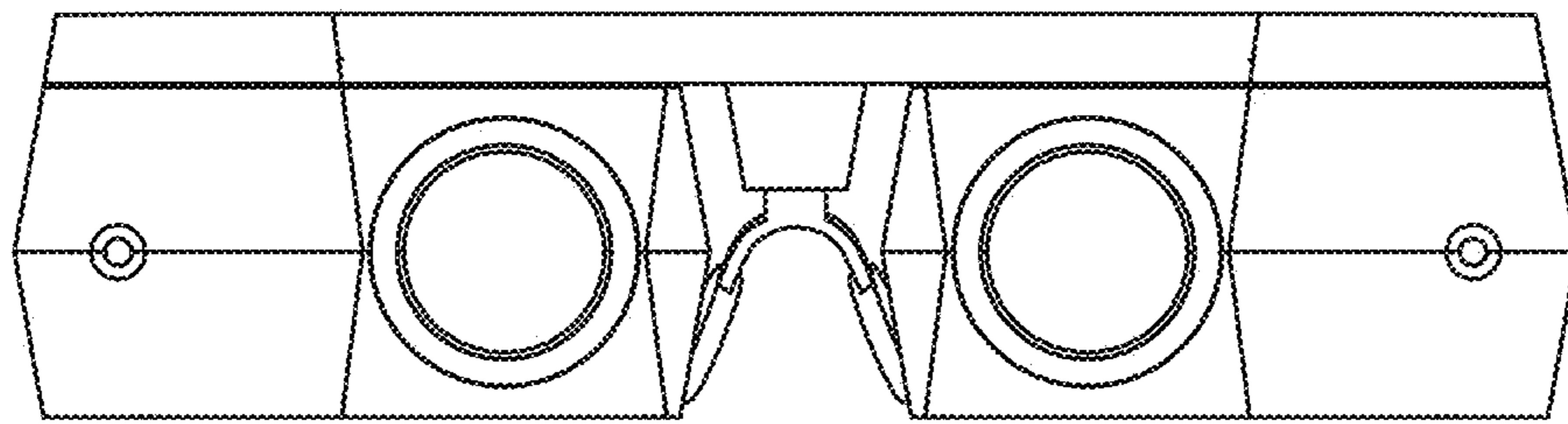


Fig. 1

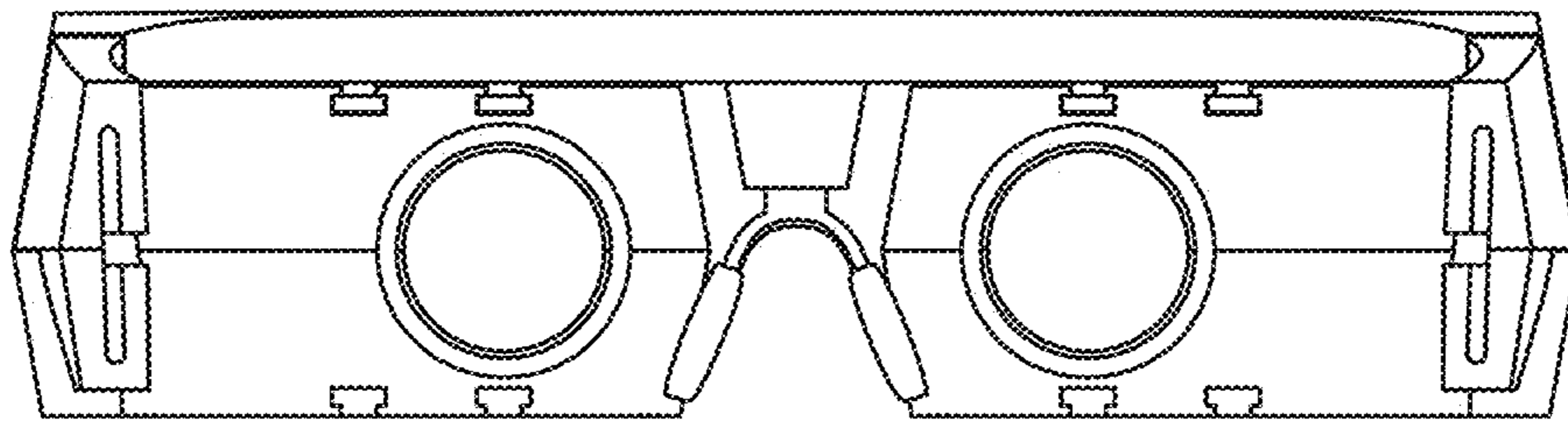


Fig. 2

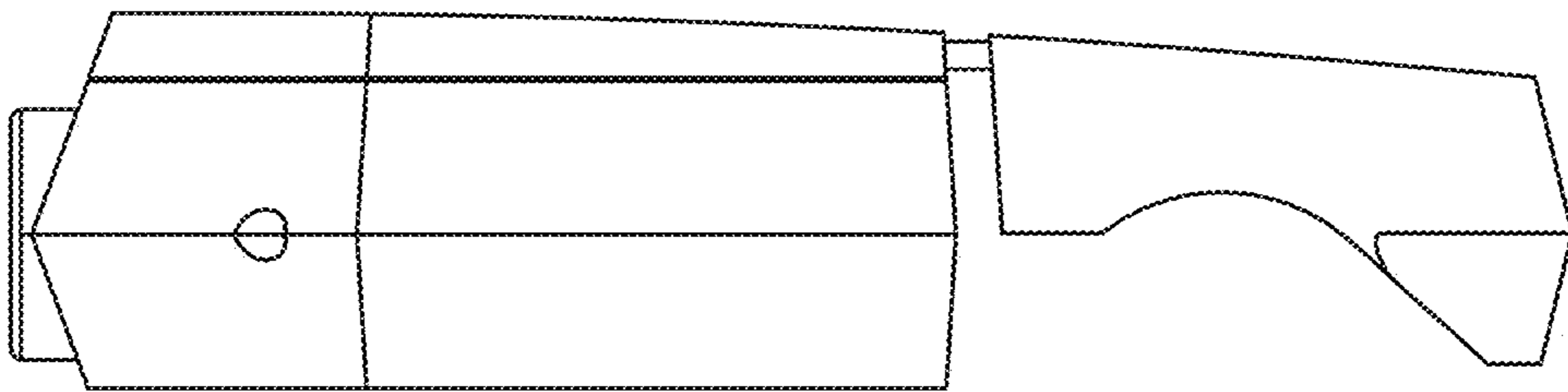


Fig. 3

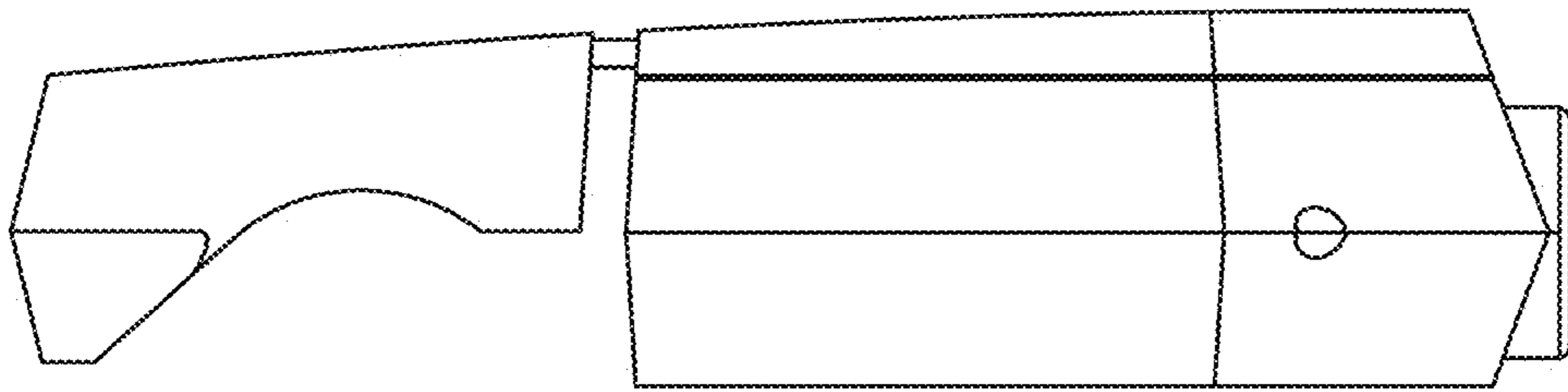


Fig. 4

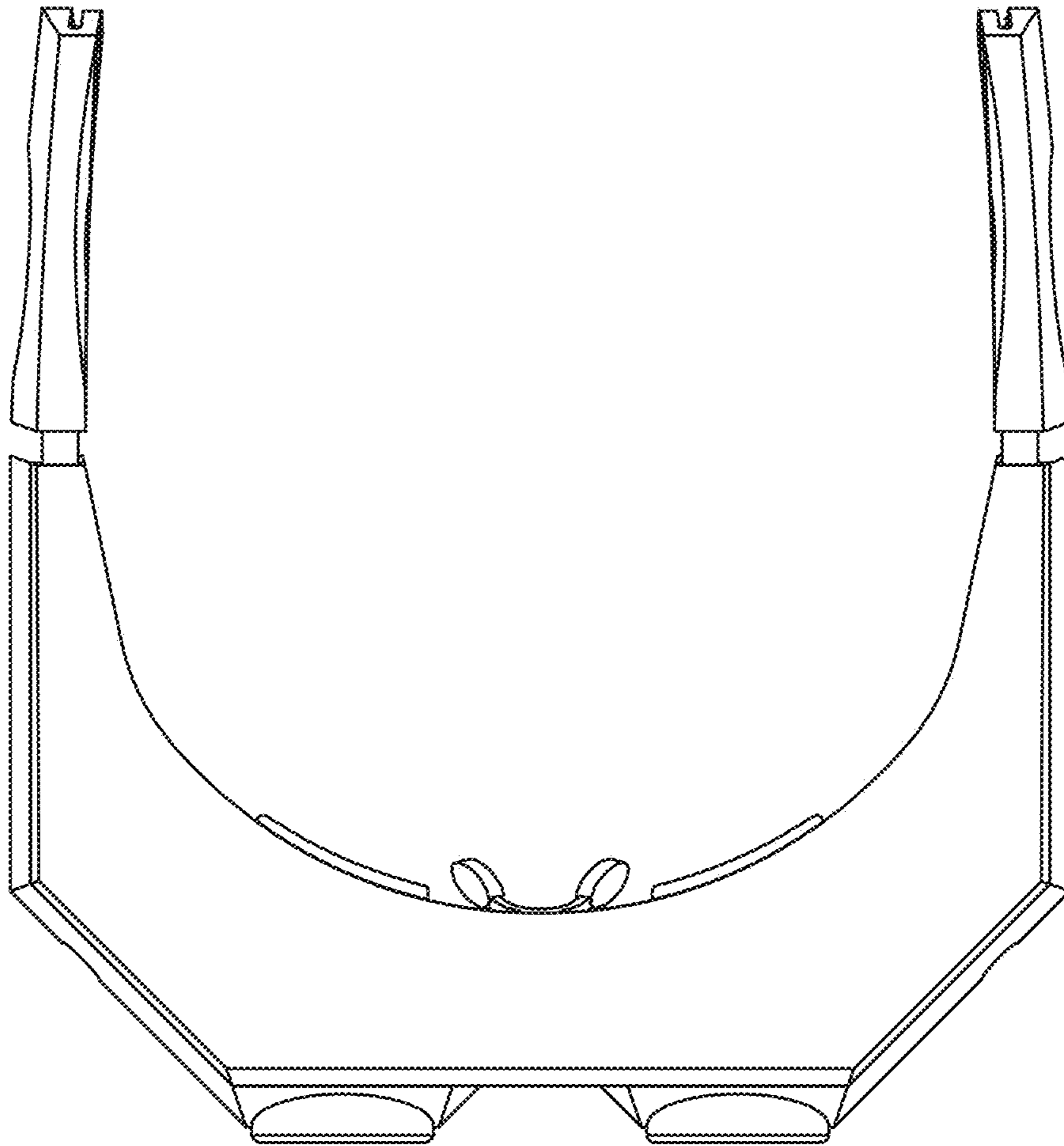


Fig. 5

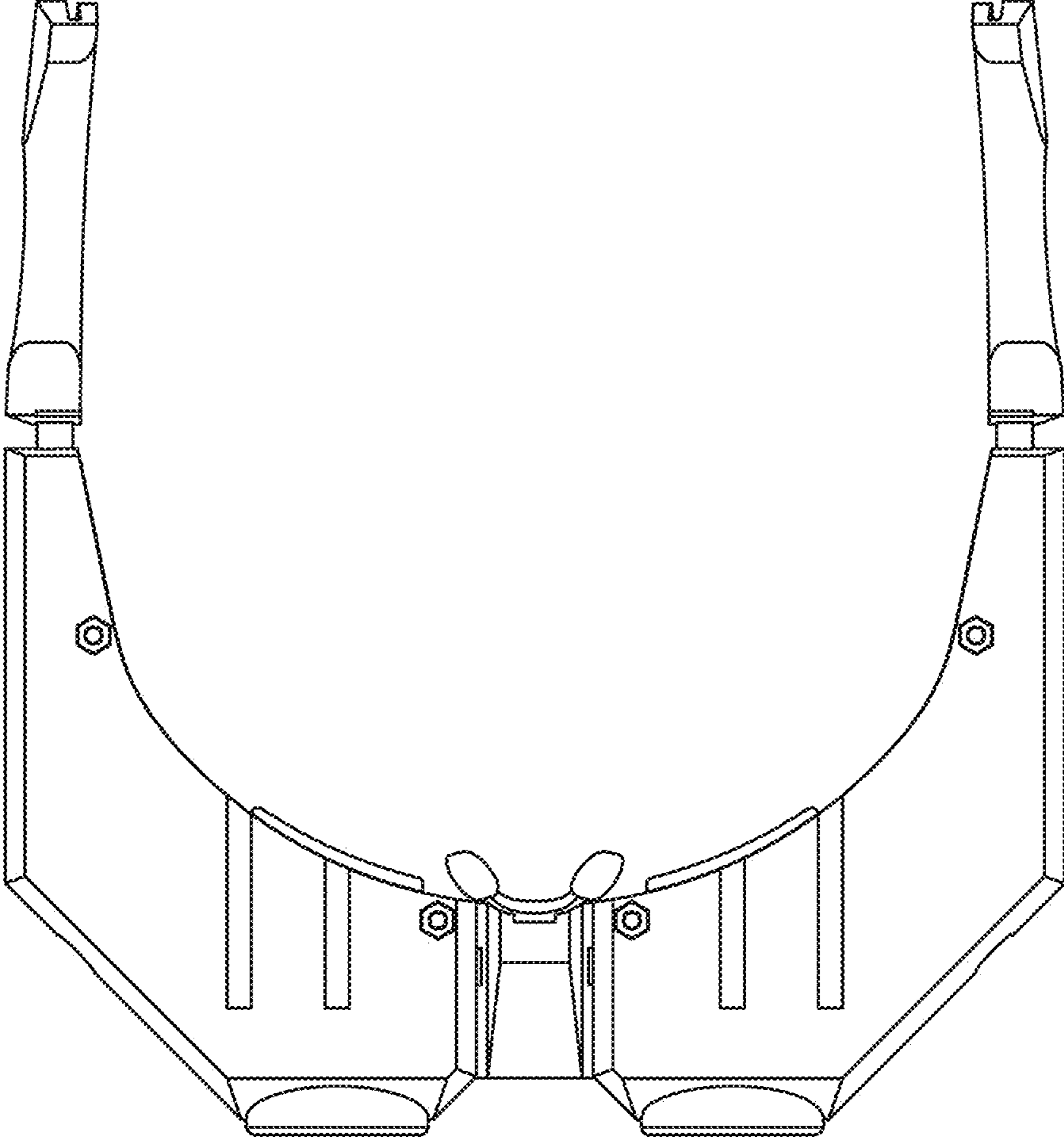


Fig. 6

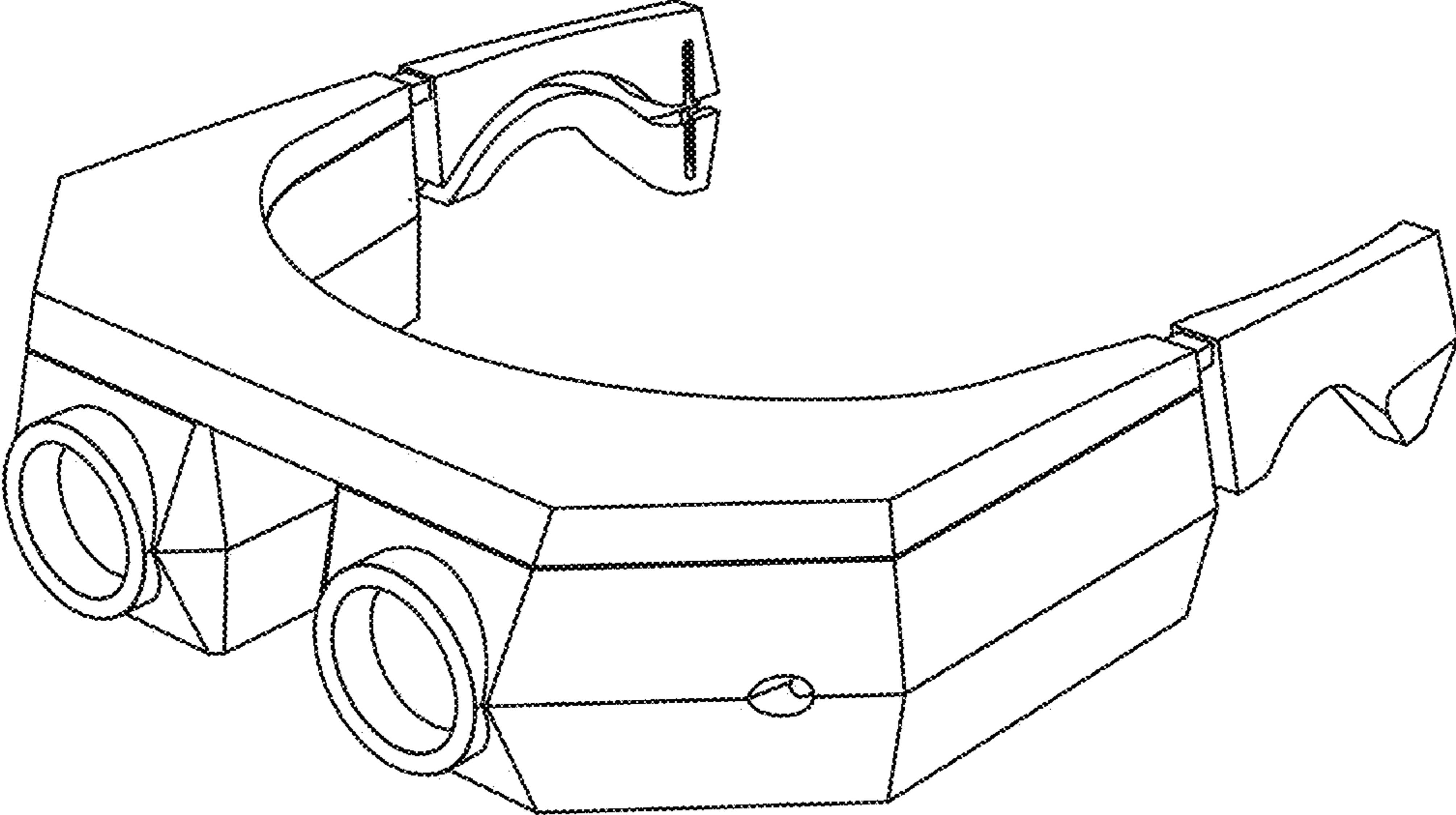


Fig. 7

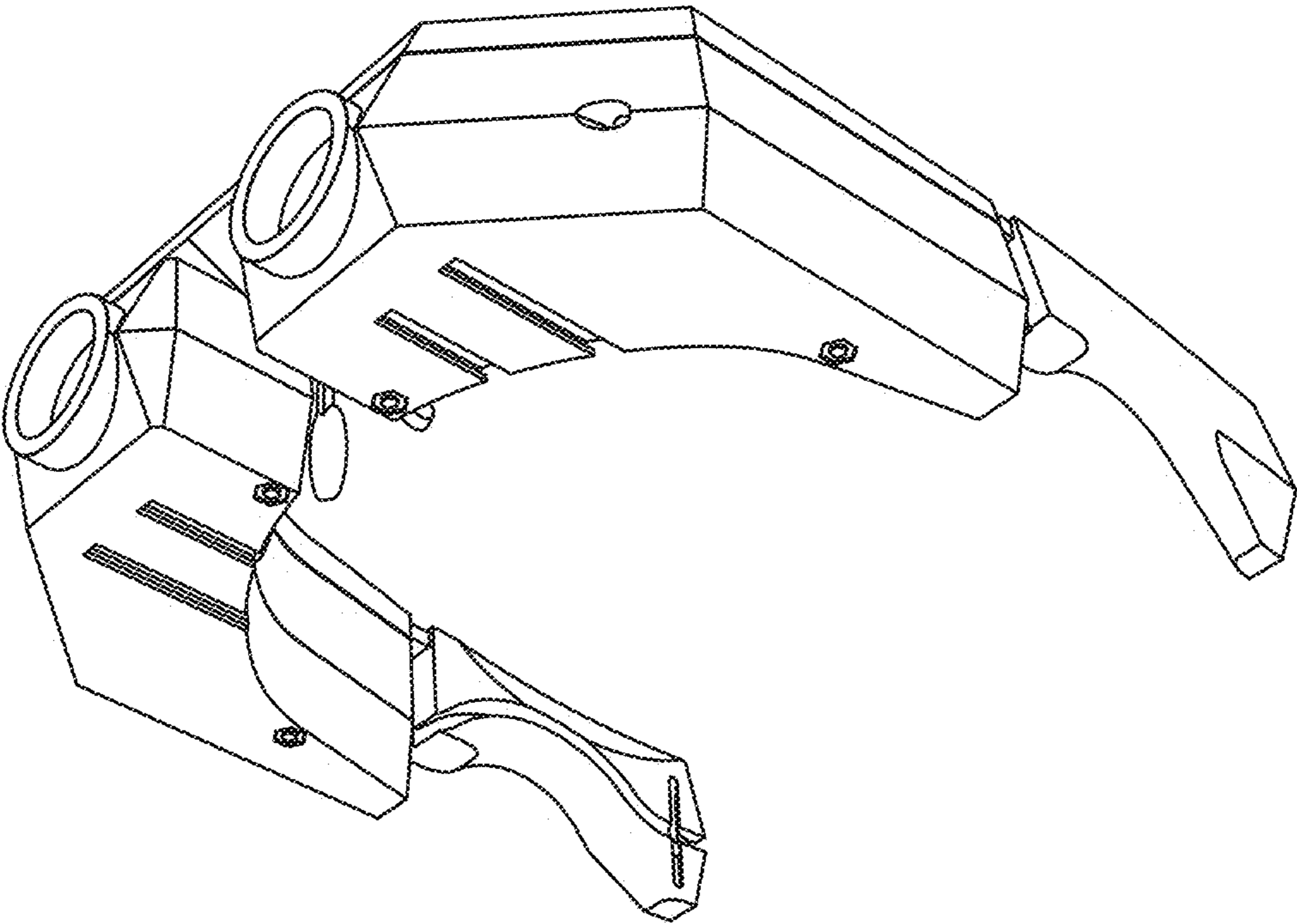


Fig. 8

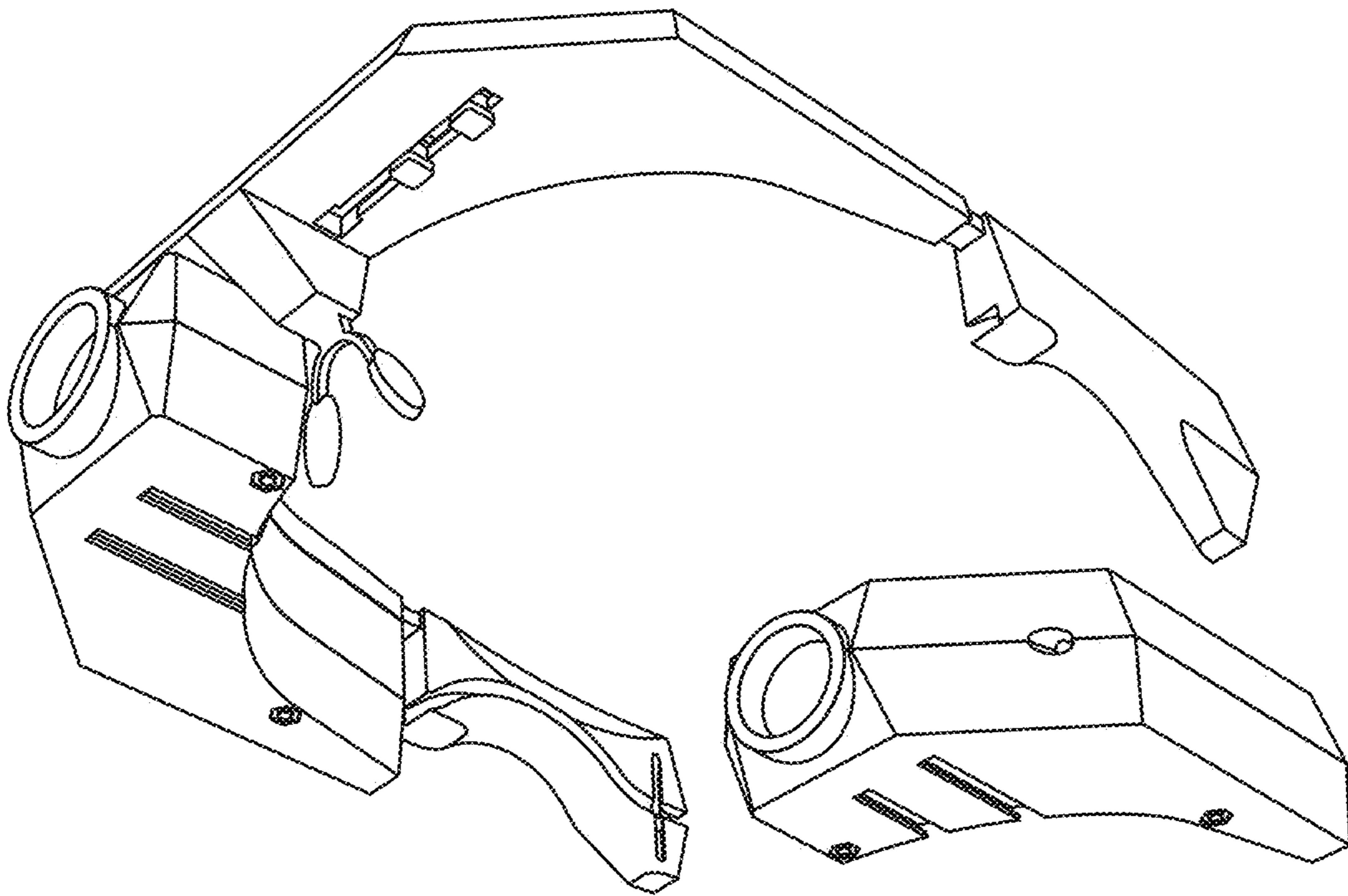


Fig. 9

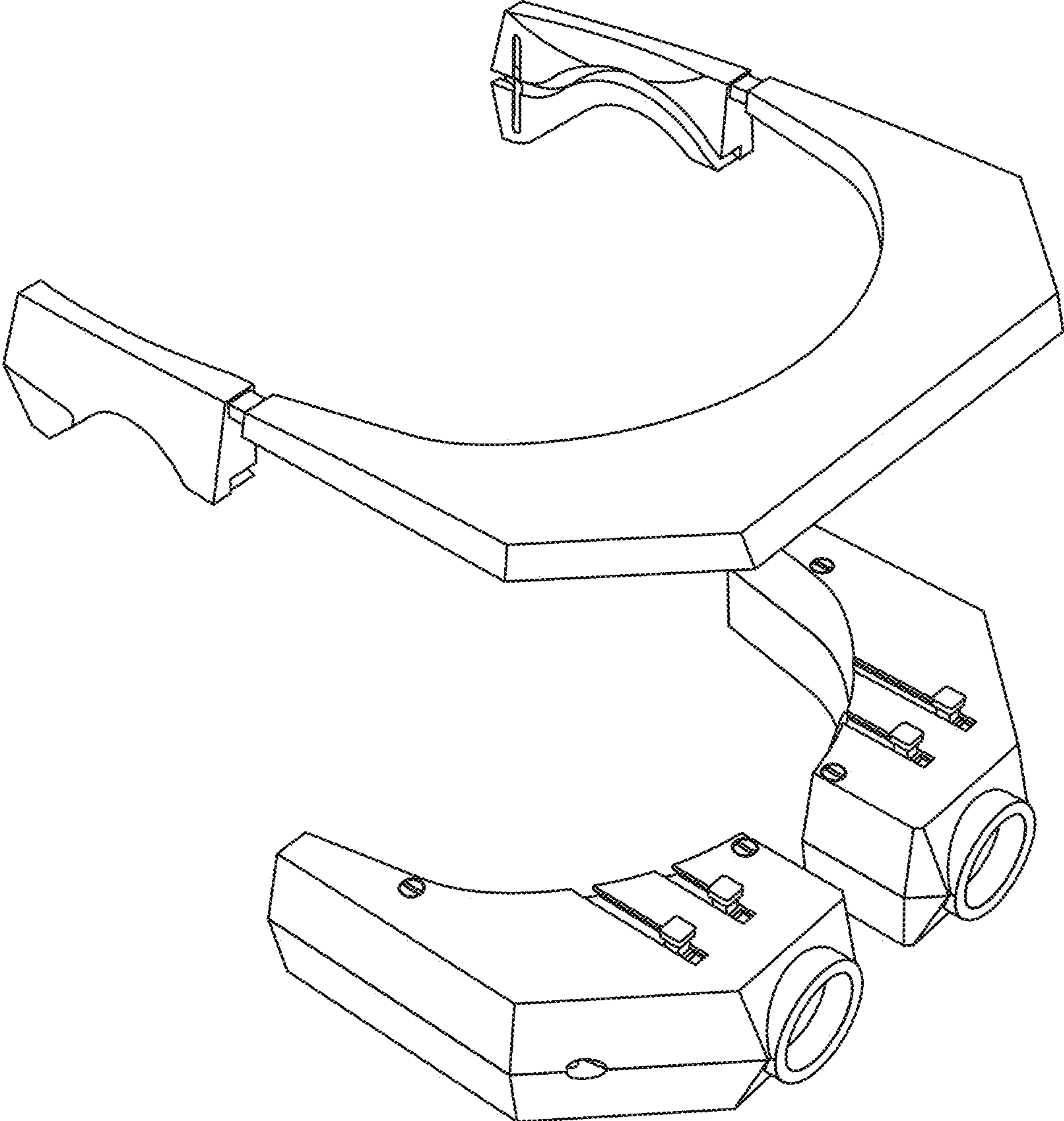


Fig. 10