



US00D956844S

(12) **United States Design Patent**
Huang

(10) **Patent No.:** **US D956,844 S**

(45) **Date of Patent:** **** Jul. 5, 2022**

(54) **MAGNIFIER WITH LIGHTING ARRANGEMENT**

(71) Applicant: **Kuan Da Huang**, Alhambra, CA (US)

(72) Inventor: **Kuan Da Huang**, Alhambra, CA (US)

(*) Notice: This patent is subject to a terminal disclaimer.

(**) Term: **15 Years**

(21) Appl. No.: **29/682,324**

(22) Filed: **Mar. 4, 2019**

(51) **LOC (13) Cl.** **16-06**

(52) **U.S. Cl.**
USPC **D16/135**

(58) **Field of Classification Search**
USPC D16/130, 134, 135, 136; D10/62, 71
CPC G01B 3/04
See application file for complete search history.

(56) **References Cited**

U.S. PATENT DOCUMENTS

2,322,441	A *	6/1943	Holliday	G02B 25/002 359/812
D559,876	S *	1/2008	Yip	D16/135
D565,069	S *	3/2008	Yip	D16/135
D637,220	S *	5/2011	Levine	D16/135
D637,221	S *	5/2011	Levine	D16/135
D654,107	S *	2/2012	Huang	D16/135

D705,842 S * 5/2014 Su G02B 25/02
D16/135

D707,278 S * 6/2014 Tang G02B 25/02
D16/135

D786,328 S * 5/2017 Schuss D16/135

* cited by examiner

Primary Examiner — Holly E Thurman

(74) *Attorney, Agent, or Firm* — Tsz Lung Yeung

(57) **CLAIM**

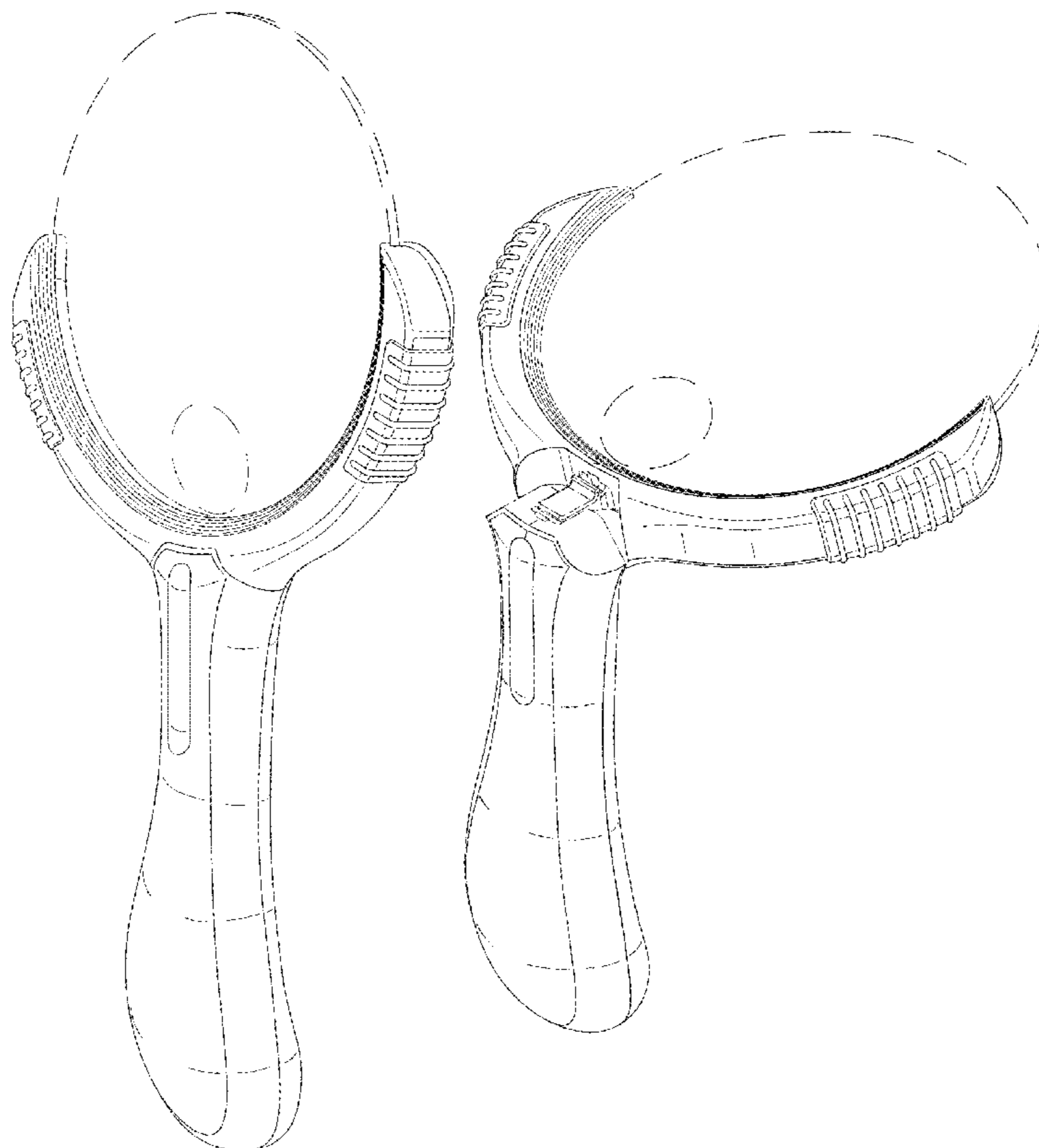
The ornamental design for a magnifier with lighting arrangement, as shown and described.

DESCRIPTION

FIG. 1 is a front perspective view of a magnifier with lighting arrangement showing my new design; FIG. 2 is a front view thereof; FIG. 3 is a rear view thereof; FIG. 4 is a right end view thereof; FIG. 5 is a left end view thereof; FIG. 6 is a top view thereof; FIG. 7 is a bottom view thereof; FIG. 8 is a rear perspective view thereof; and, FIG. 9 is a front perspective view thereof, shown in a folded condition.

The broken lines in the drawings represent portions of the magnifier with lighting arrangement that forms no part of the claimed design.

1 Claim, 9 Drawing Sheets



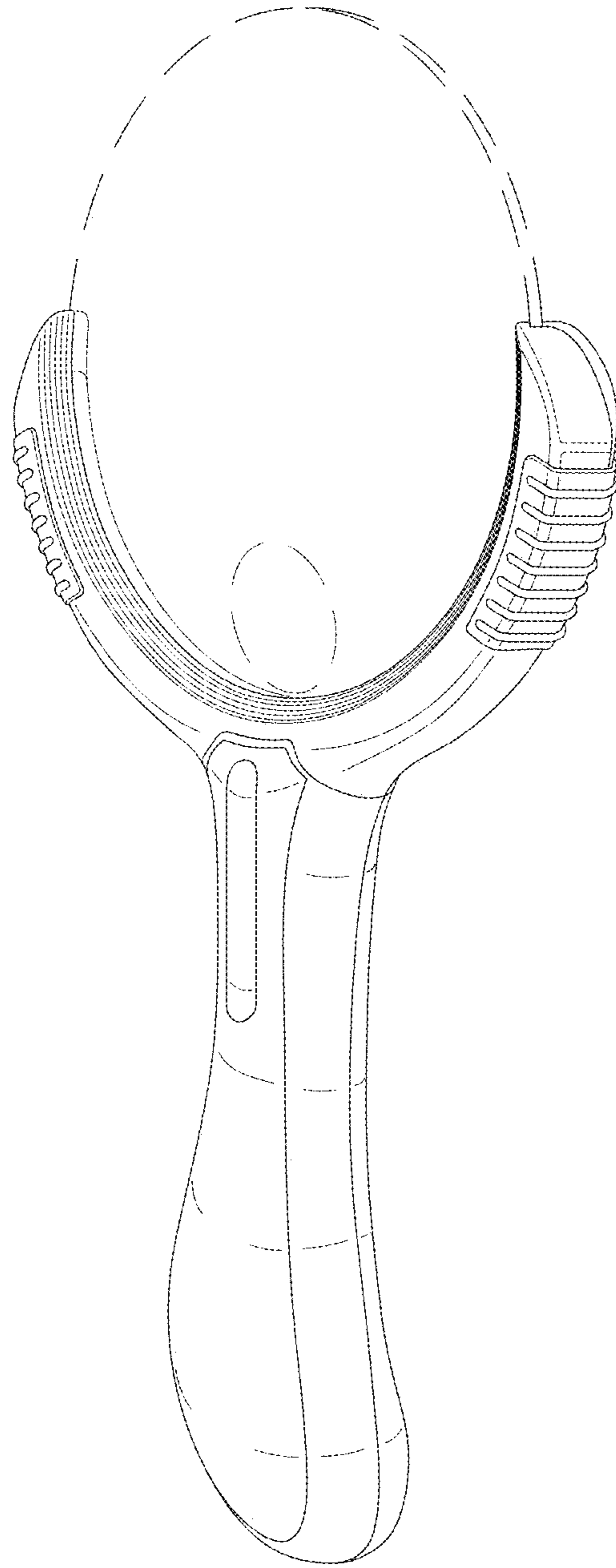


FIG. 1

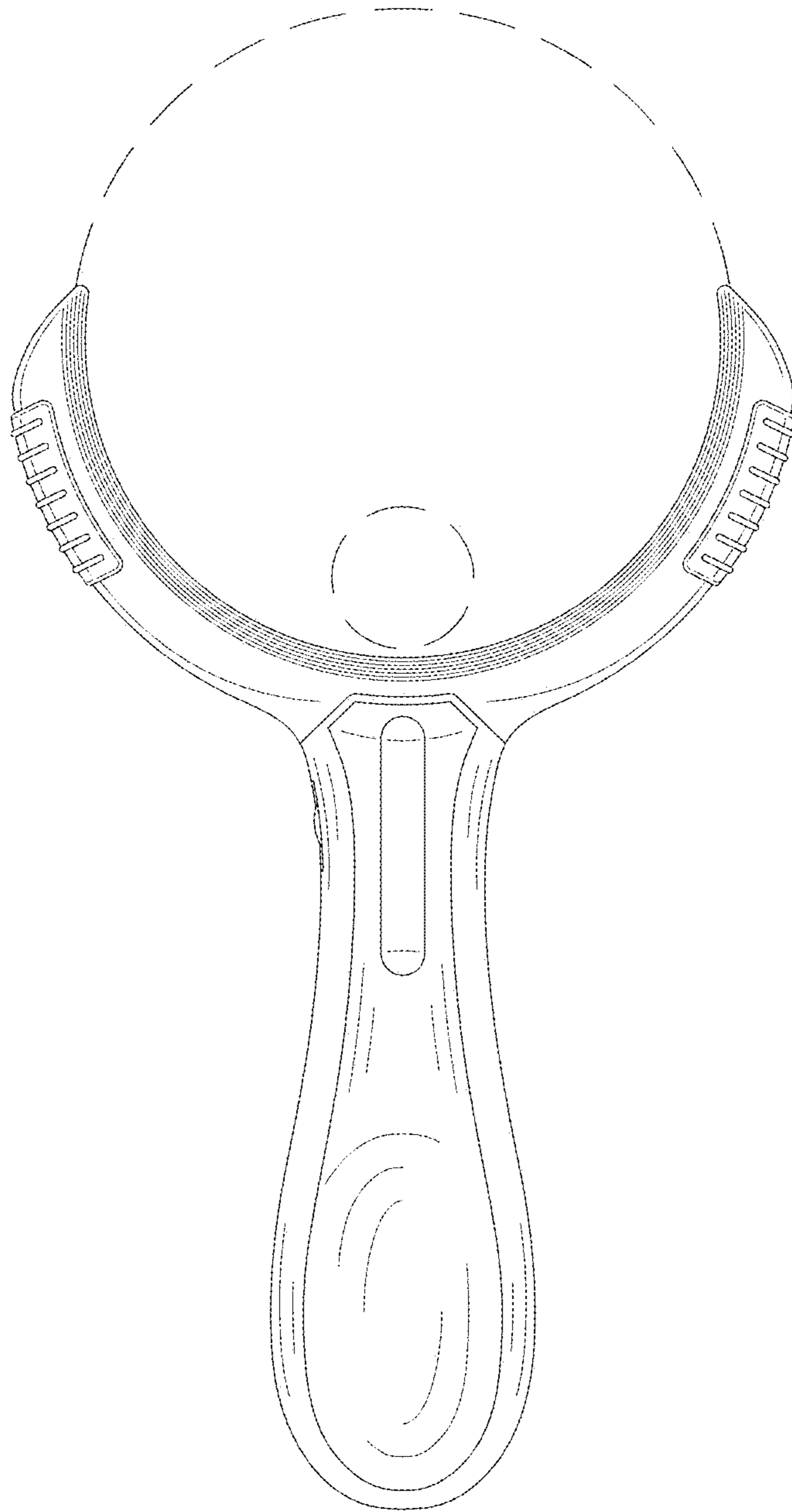


FIG. 2

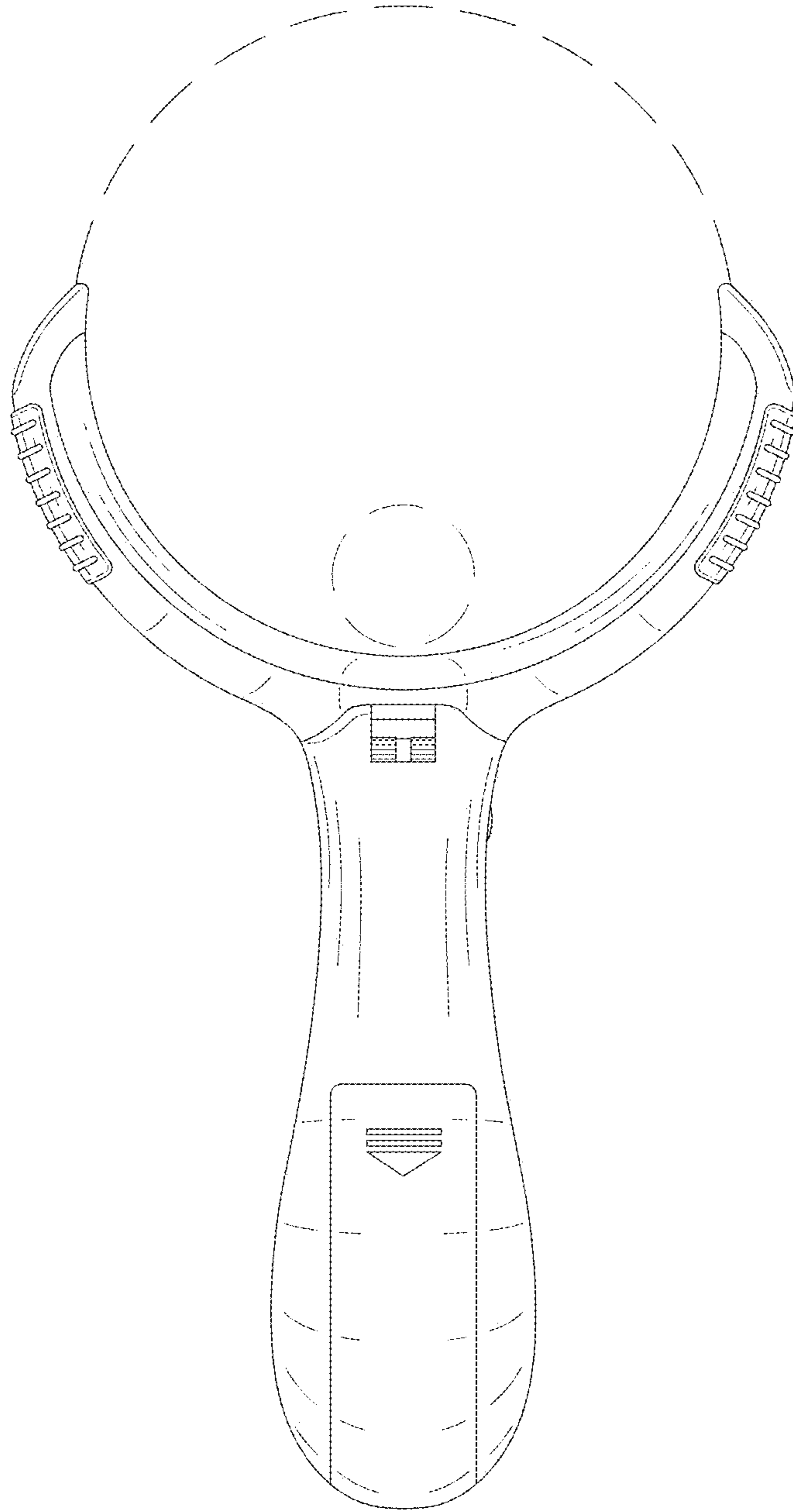


FIG. 3

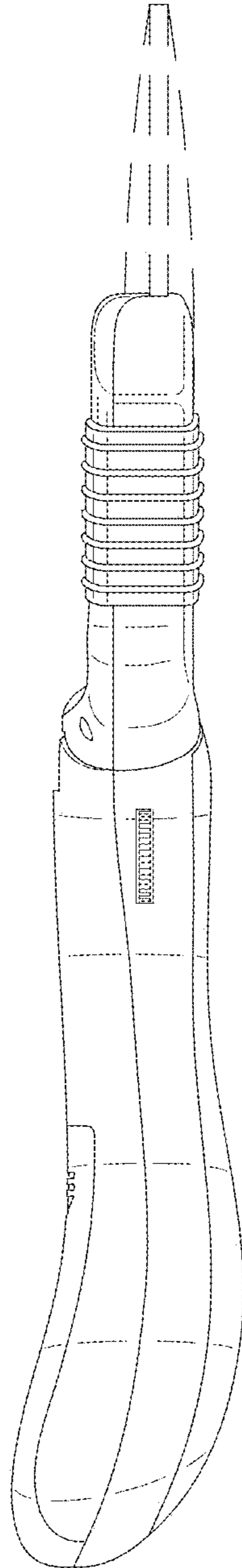


FIG. 4

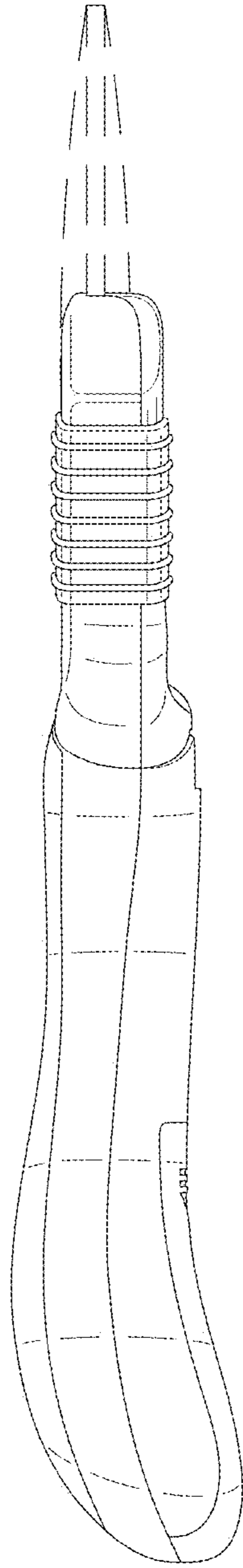


FIG. 5

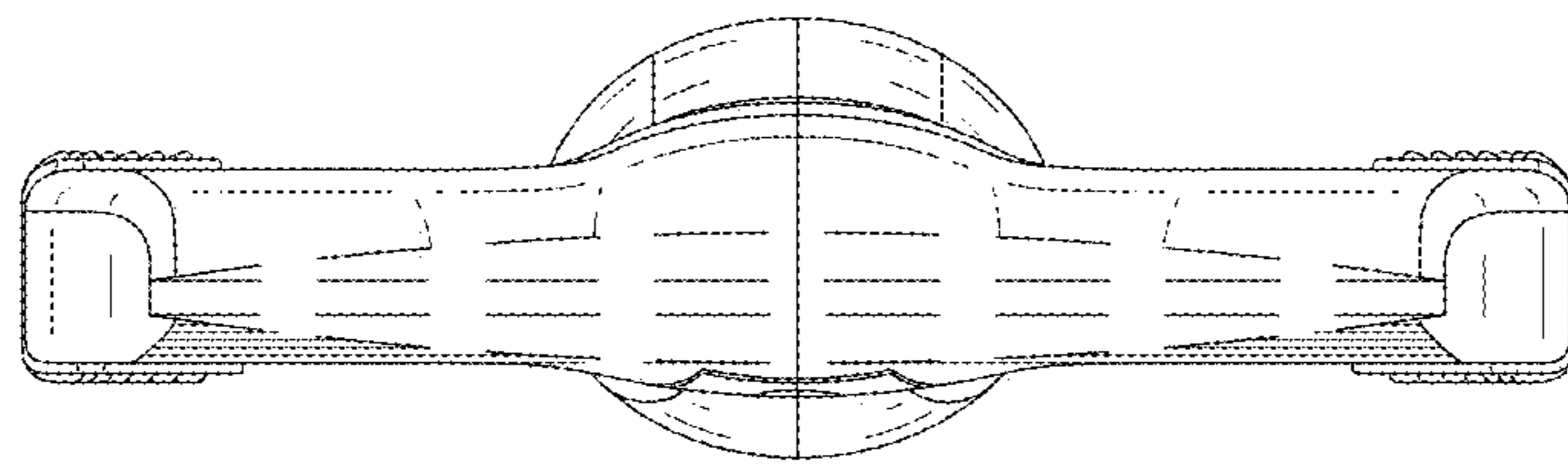


FIG. 6

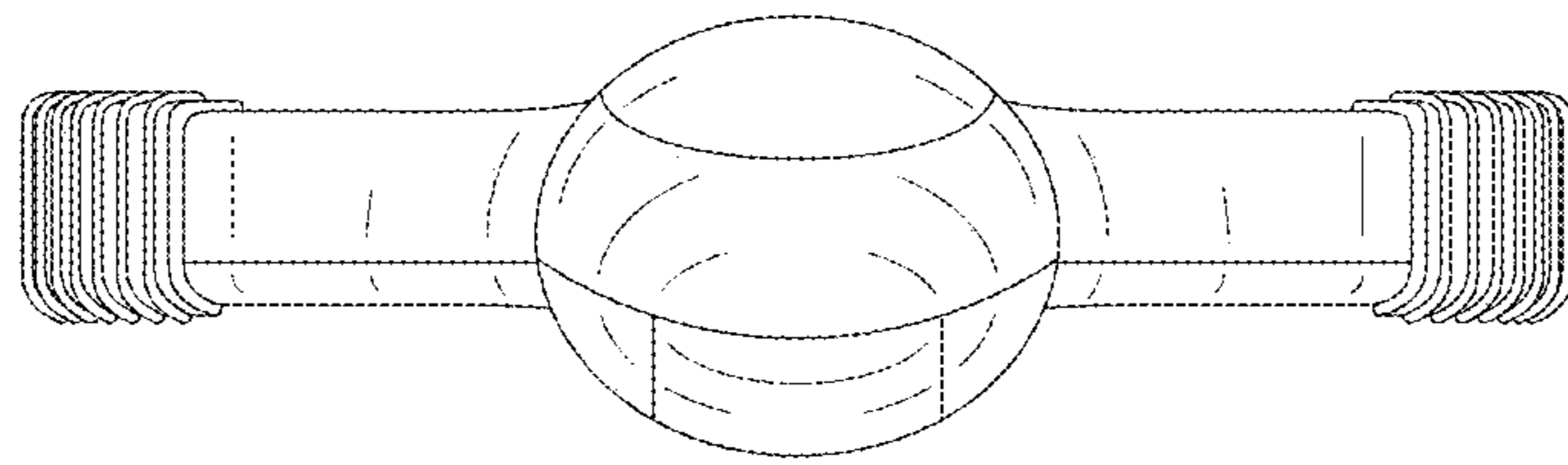


FIG. 7

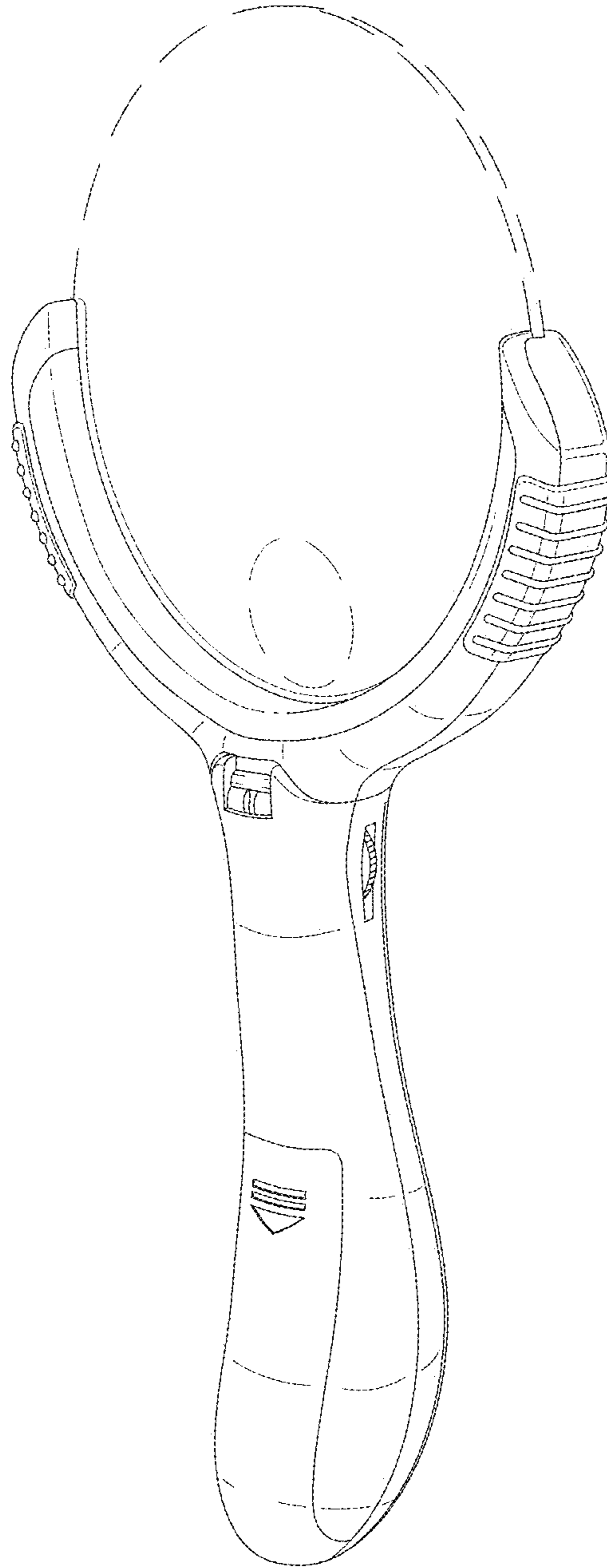


FIG. 8

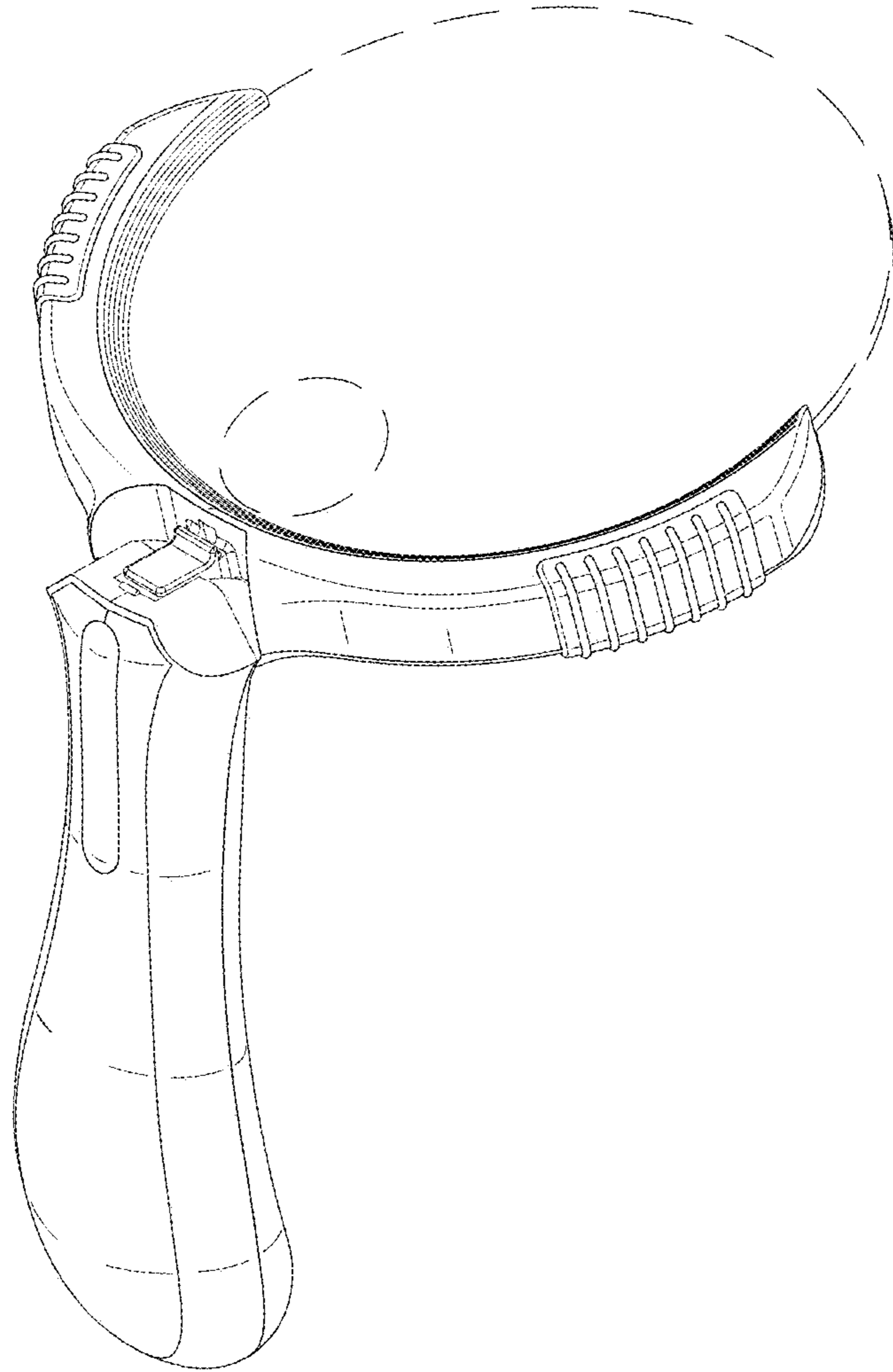


FIG. 9