



US00D956843S

(12) **United States Design Patent**
Hegwer

(10) **Patent No.:** **US D956,843 S**

(45) **Date of Patent:** **** Jul. 5, 2022**

(54) **CENTERING INSTRUMENT ASSEMBLY**

(71) Applicant: **Thomas William Hegwer**, Dallas, TX
(US)

(72) Inventor: **Thomas William Hegwer**, Dallas, TX
(US)

(73) Assignee: **Thomas William Hegwer**, Dallas, TX
(US)

(**) Term: **15 Years**

(21) Appl. No.: **29/744,102**

(22) Filed: **Jul. 27, 2020**

(51) **LOC (13) Cl.** **16-06**

(52) **U.S. Cl.**
USPC **D16/132**

(58) **Field of Classification Search**
USPC D10/74, 103, 66; D16/132, 133, 130,
D16/131; D22/100, 108, 109
CPC ... G01C 3/00; G01C 3/02; G01C 3/04; G01C
3/06; G01C 3/08; G01C 3/085; G01C
3/10; G01C 3/12; G01C 3/16; G01C
3/18; G01C 3/20
See application file for complete search history.

(56) **References Cited**

U.S. PATENT DOCUMENTS

- 1,934,874 A * 11/1933 Neuwirth G02B 21/0008
359/503
- 2,870,674 A * 1/1959 Mize G02B 21/00
359/808
- D268,768 S * 4/1983 Melsheimer D16/132
- 5,024,513 A * 6/1991 Hayashi G02B 21/24
359/379
- 6,421,173 B1 * 7/2002 Corbisiero G02B 21/18
359/372

- D476,344 S * 6/2003 Elgert D16/132
- D569,008 S * 5/2008 Lundqvist D24/232
- D638,046 S * 5/2011 Noda D16/131
- D706,847 S * 6/2014 Matsumiya G02B 21/24
D16/131
- D774,158 S * 12/2016 Cheng D22/109
- D791,852 S * 7/2017 Harding D16/208
- D815,676 S * 4/2018 Perry D16/132

* cited by examiner

Primary Examiner — Richard Kearney

Assistant Examiner — Benjamin M Weeks

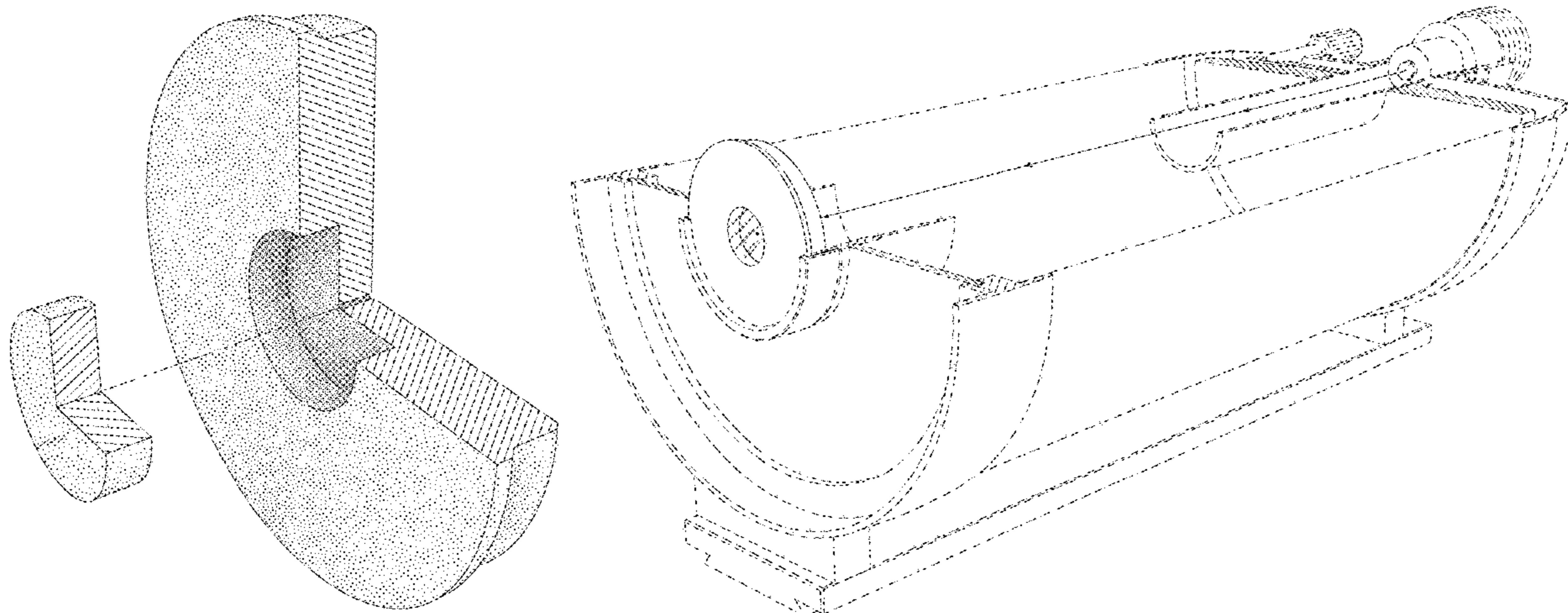
(57) **CLAIM**

The ornamental design for a centering instrument assembly, as shown and described.

DESCRIPTION

FIG. 1 is a front exploded cross-sectional perspective view of a centering instrument assembly in accordance with the present invention;
 FIG. 2 is a side exploded cross-sectional perspective view thereof;
 FIG. 3 is a back exploded cross-sectional perspective view thereof;
 FIG. 4 is a front cross-sectional perspective view thereof;
 FIG. 5 is a side cross-sectional perspective view thereof;
 FIG. 6 is a back cross-sectional perspective view thereof;
 FIG. 7 is a front perspective view thereof;
 FIG. 8 is a side perspective view thereof;
 FIG. 9 is a back perspective view thereof;
 FIG. 10 is a front perspective view thereof; and,
 FIG. 11 is a back perspective view thereof.
 The broken lines in the figures are for illustrative purposes only and form no part of the claimed design.
 The stippled shading seen in FIGS. 1-9 is for illustrating contours and forms no part of the claimed design.

1 Claim, 7 Drawing Sheets



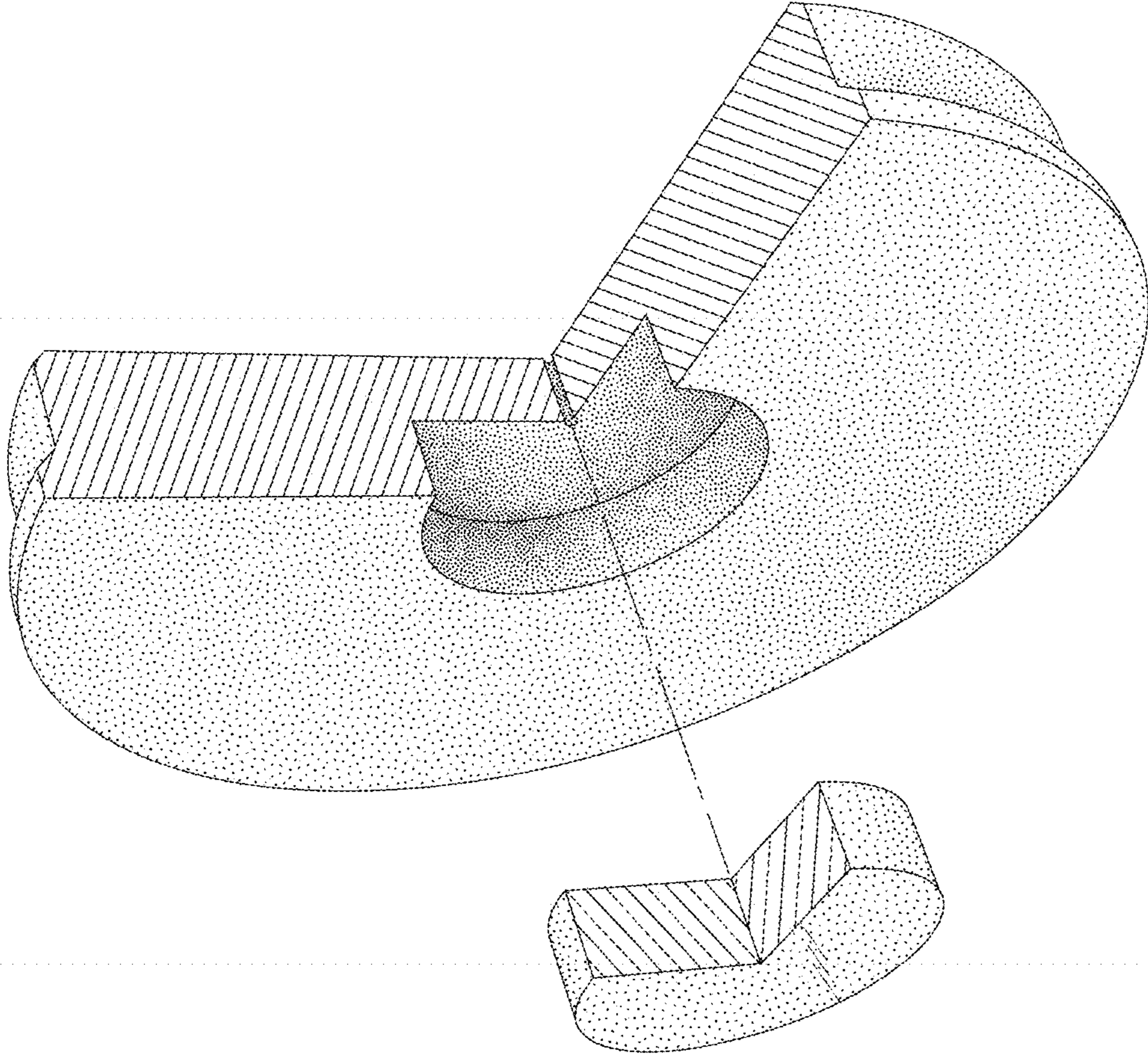


FIG. 1

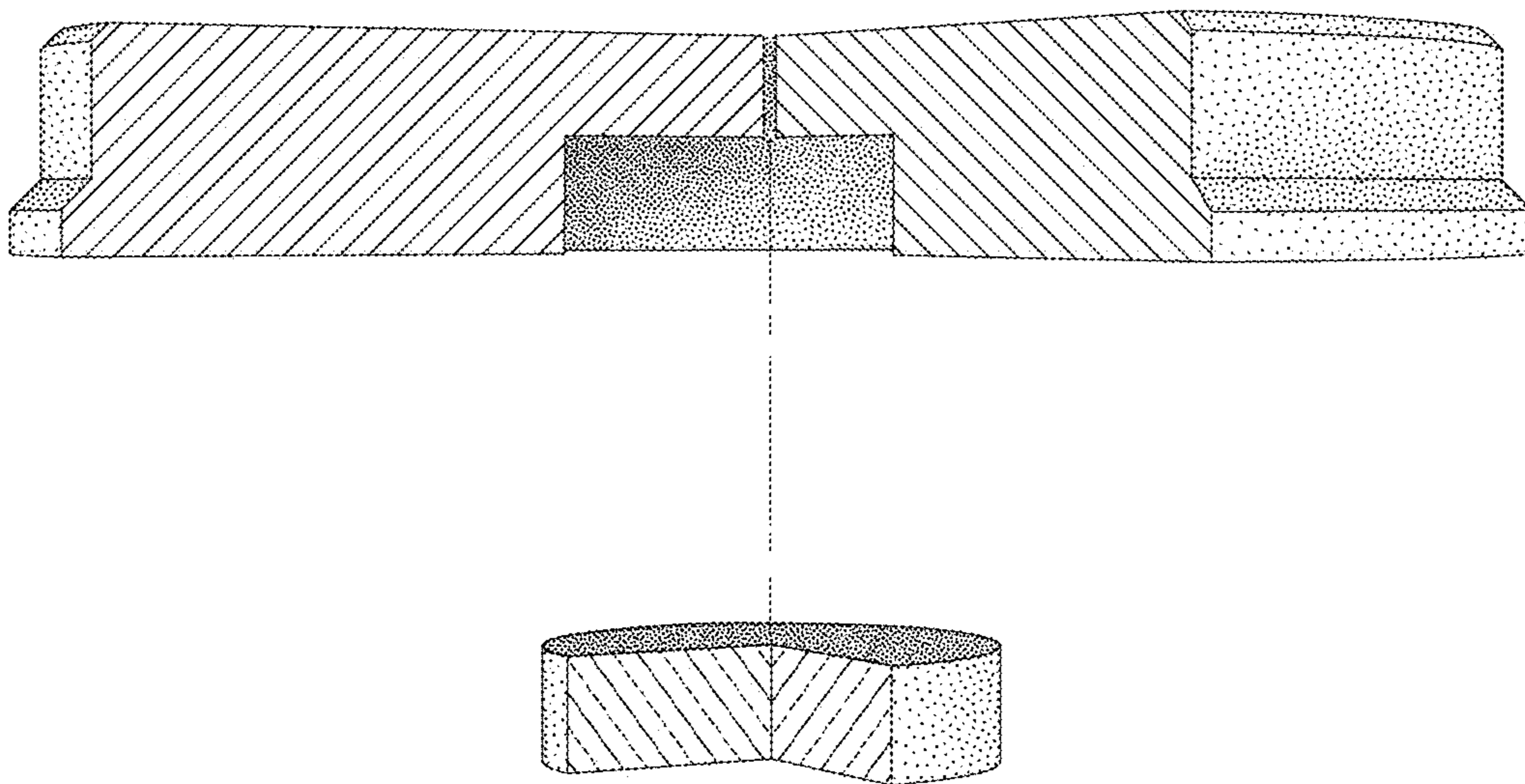


FIG. 2

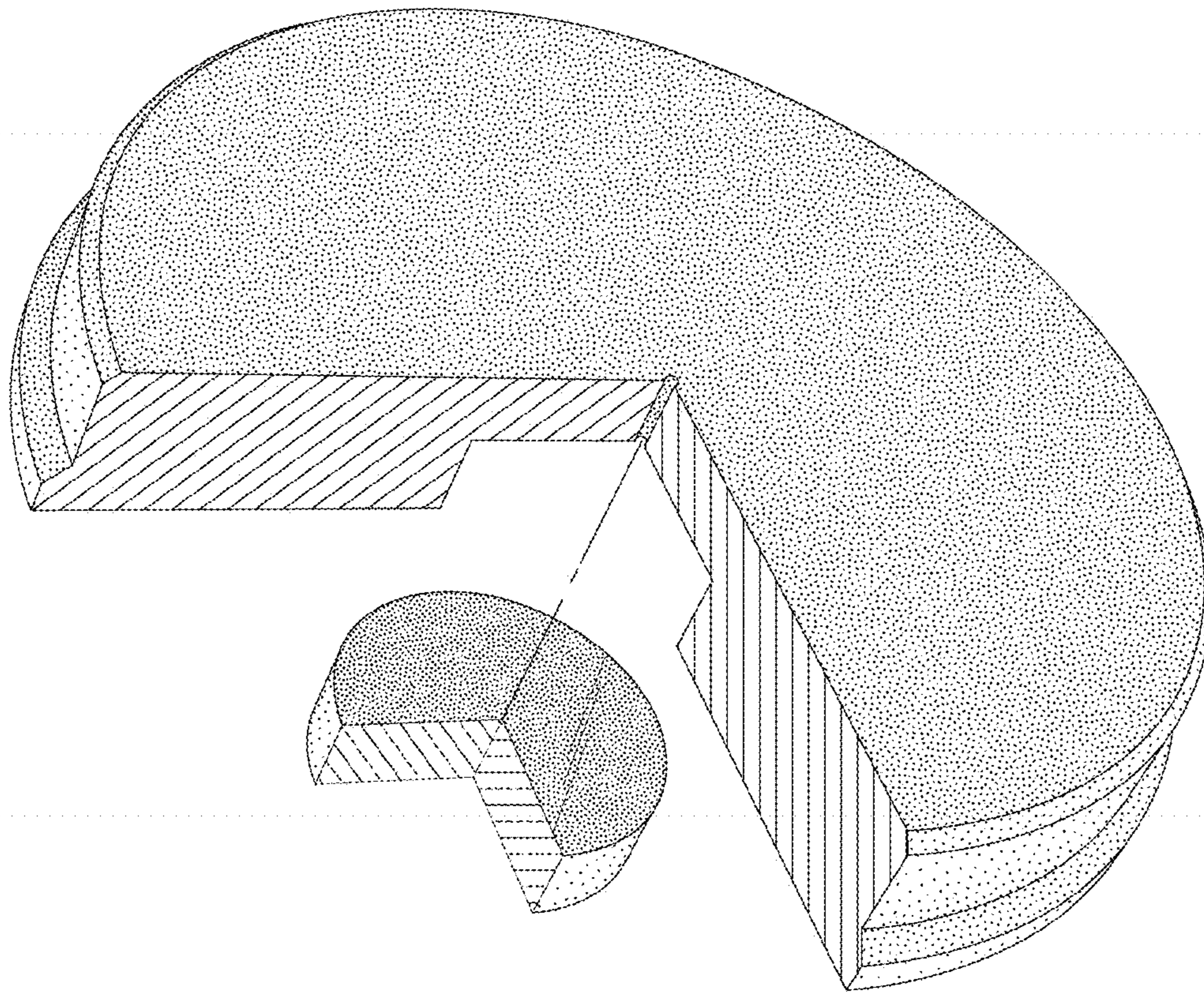


FIG. 3

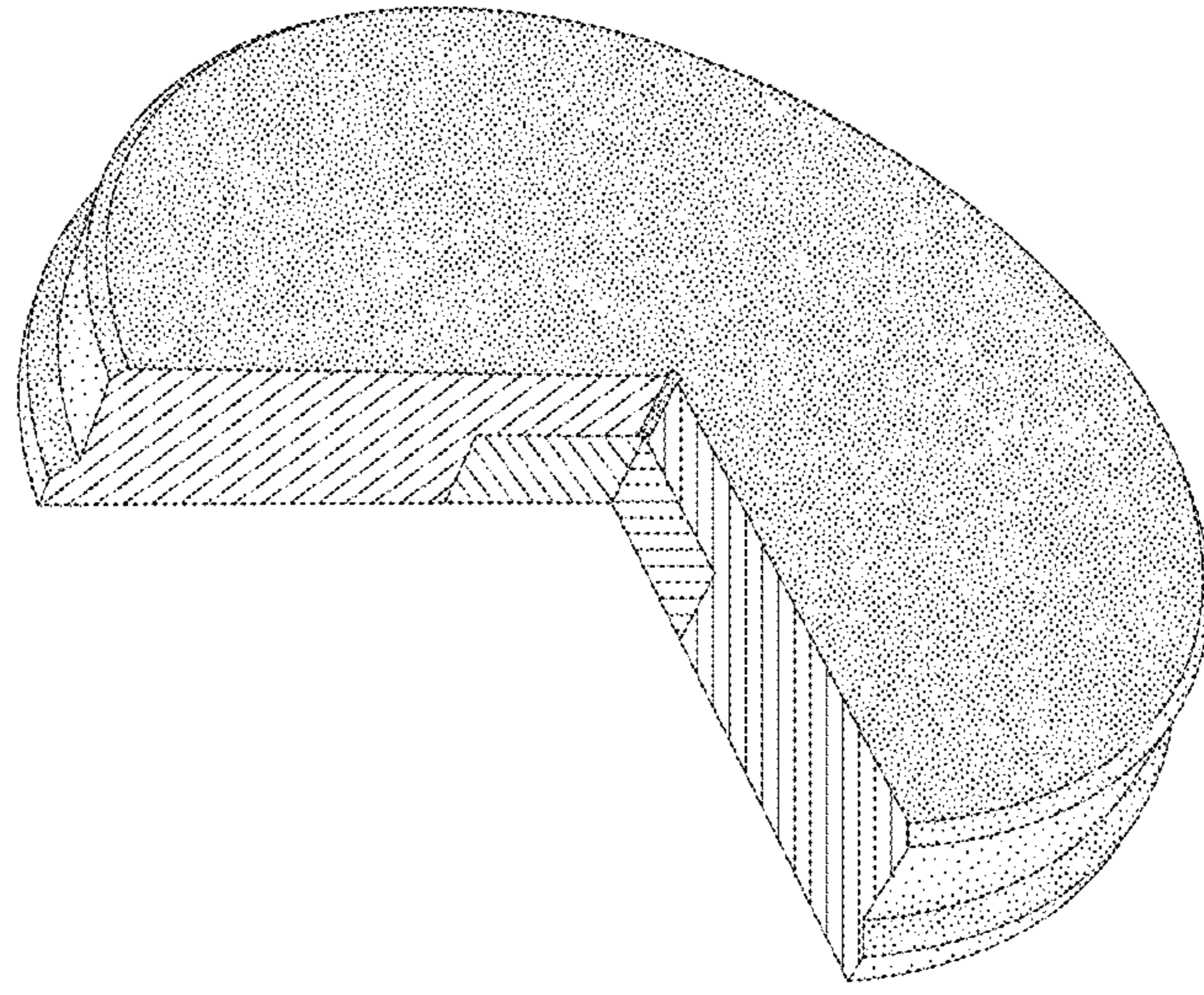


FIG. 6

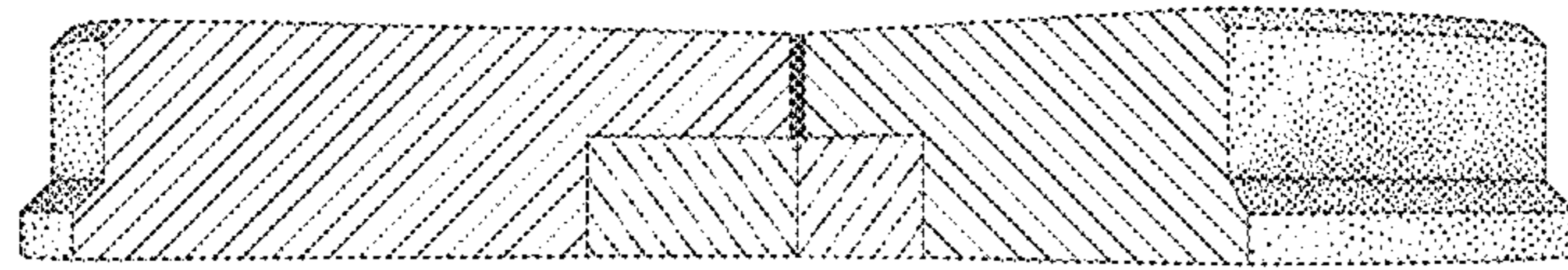


FIG. 5

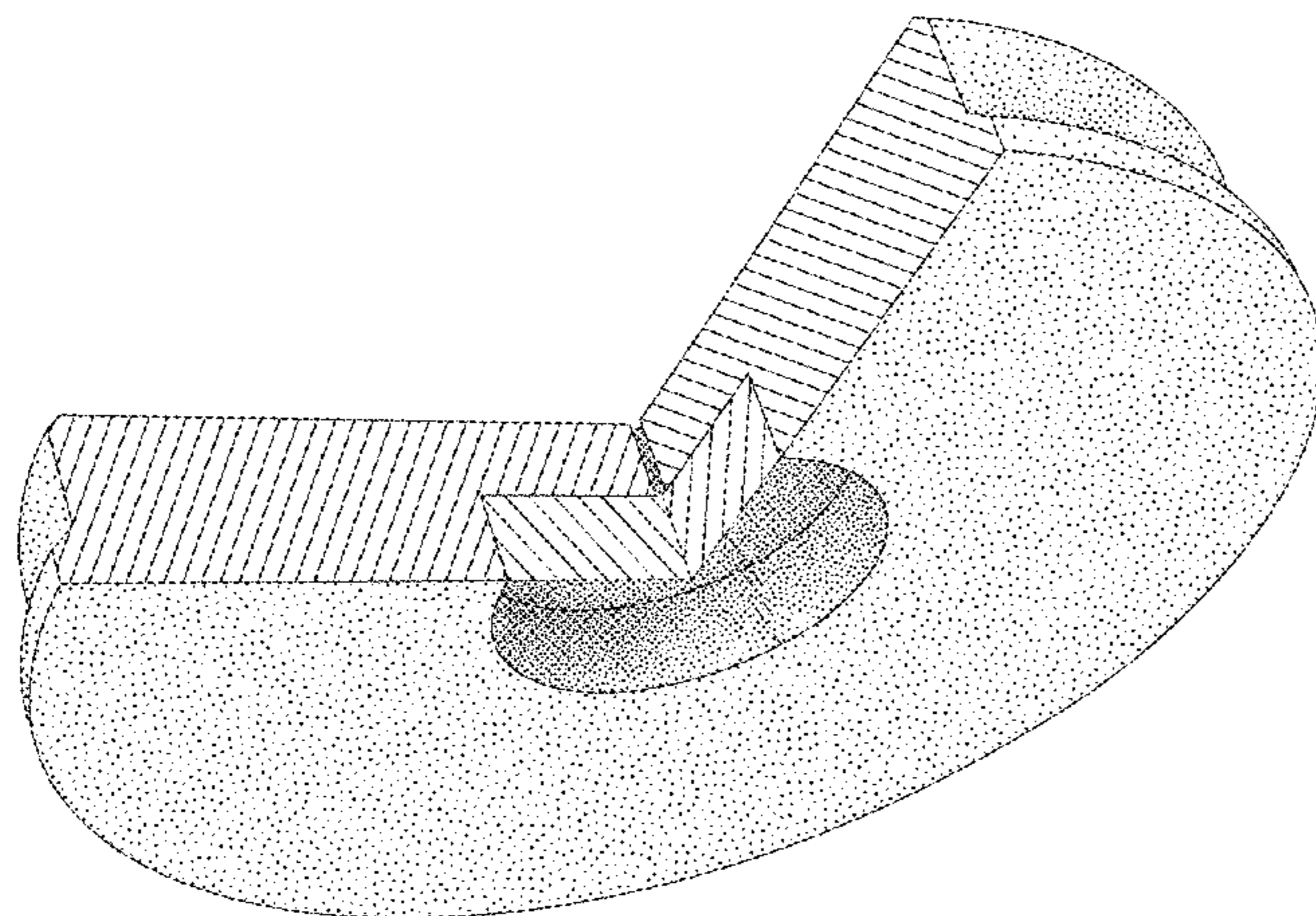


FIG. 4

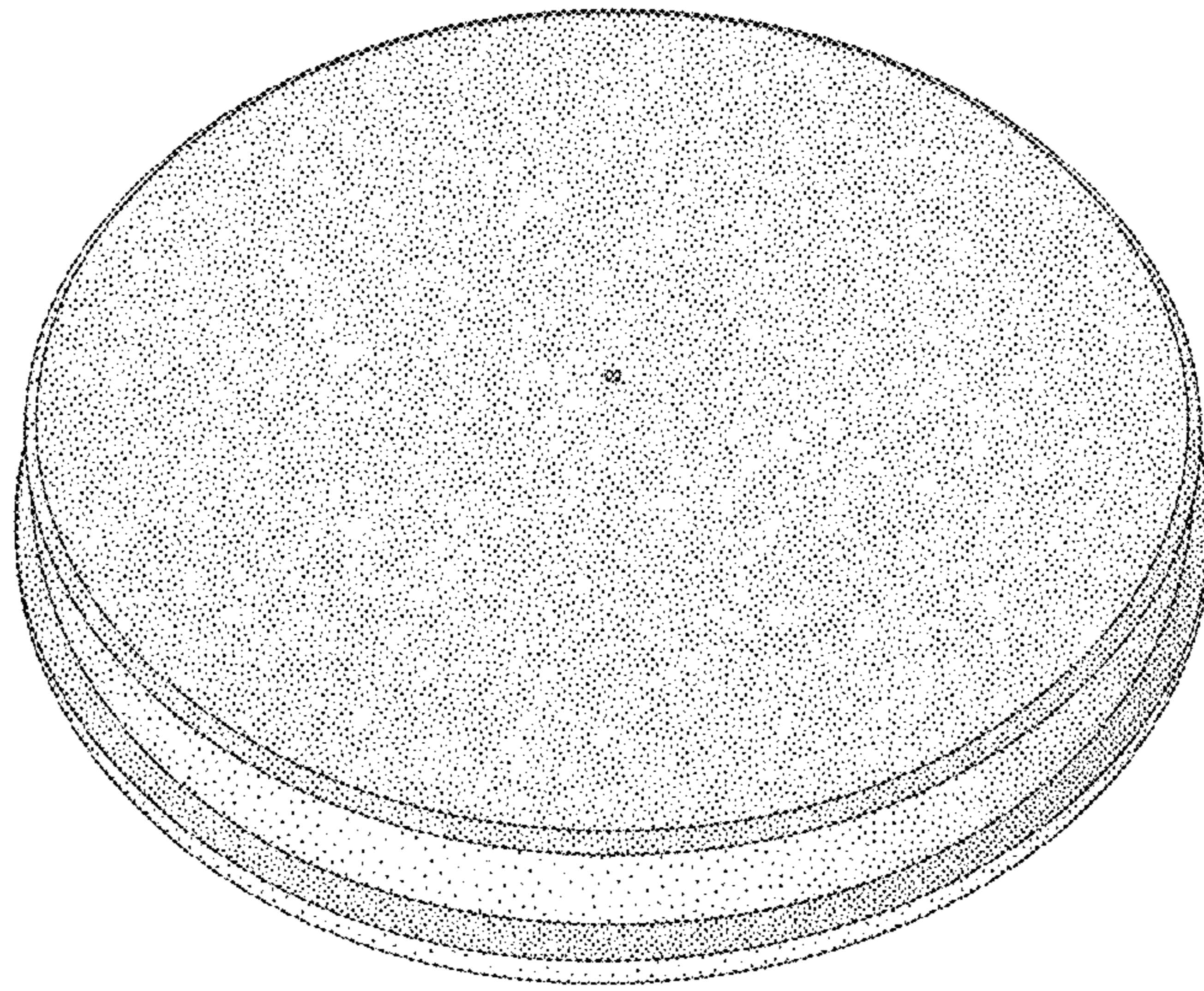


FIG. 9

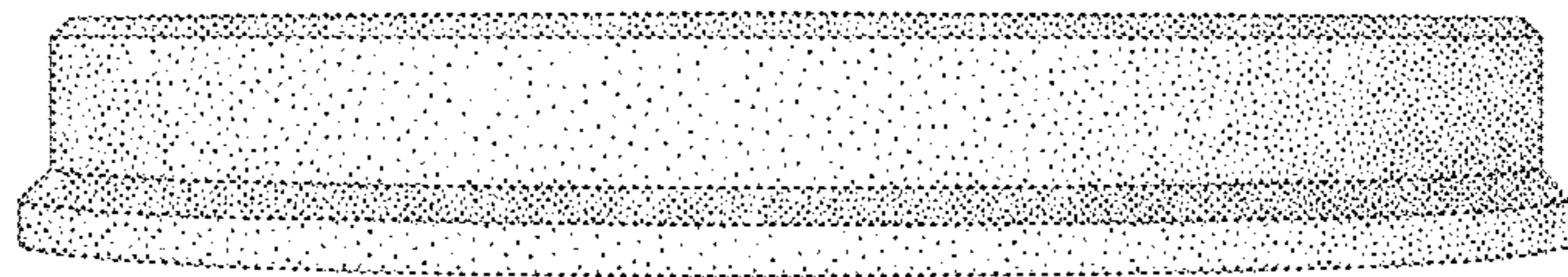


FIG. 8

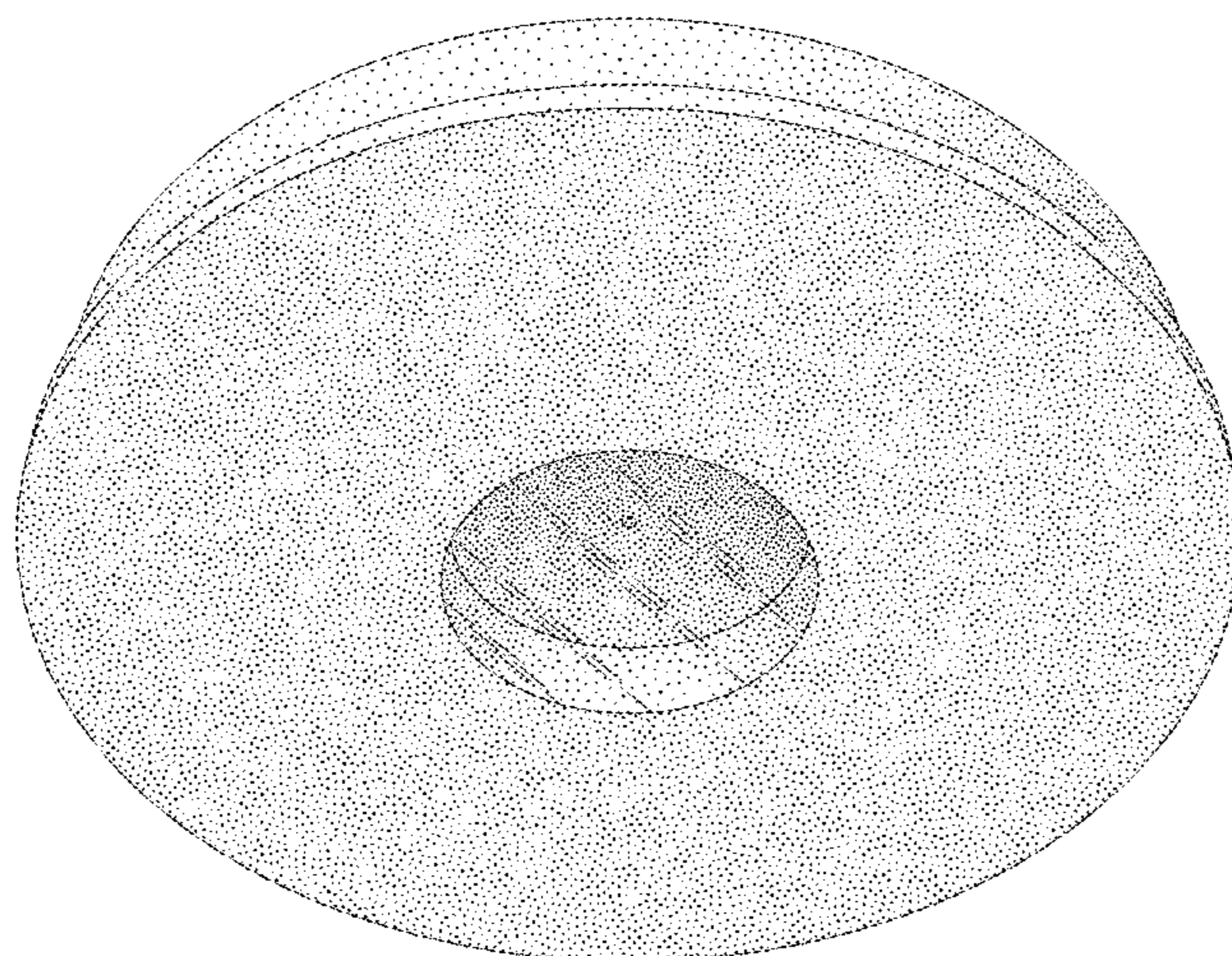


FIG. 7

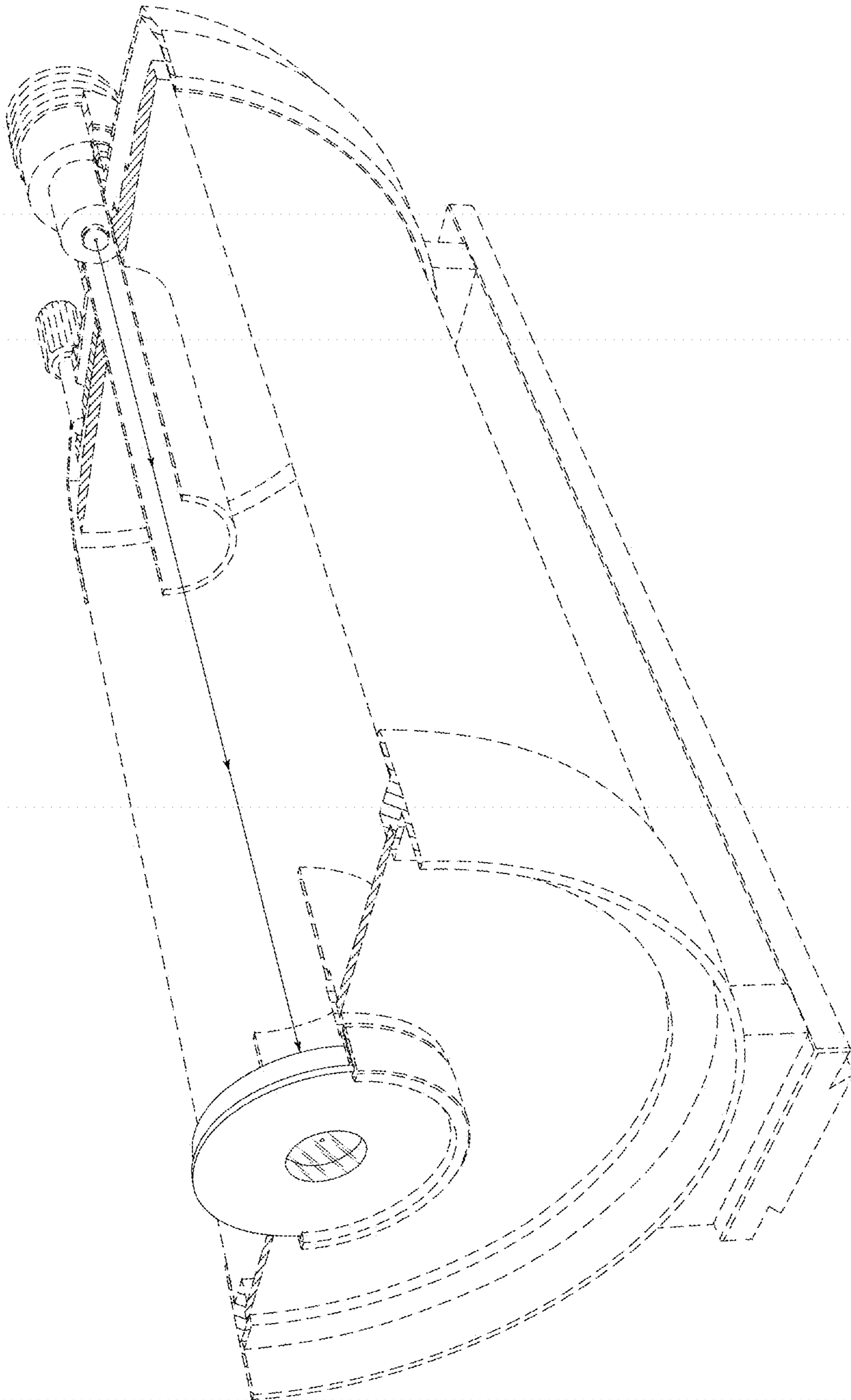


FIG. 10

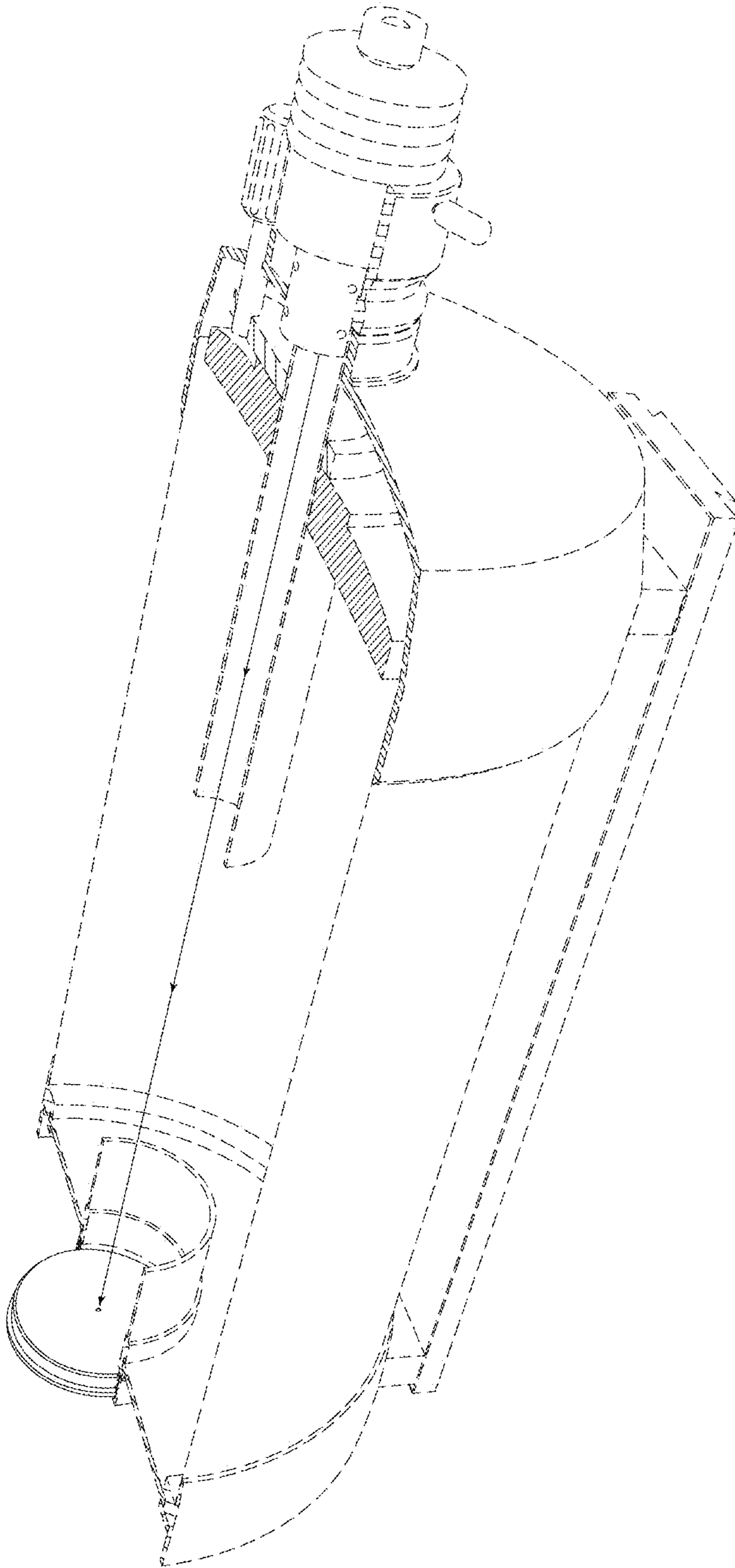


FIG. 11