



US00D956840S

(12) **United States Design Patent** (10) **Patent No.:** **US D956,840 S**
Werdenberg et al. (45) **Date of Patent:** **** Jul. 5, 2022**

(54) **PORTABLE DATA COLLECTION DEVICE**

FOREIGN PATENT DOCUMENTS

(71) Applicant: **X Development LLC**, Mountain View, CA (US)

WO WO-9737320 A1 * 10/1997 G06K 7/10722
WO WO-0025191 A2 * 5/2000 A61B 1/00055

(72) Inventors: **Derek Werdenberg**, Sunnyvale, CA (US); **Allen Richard Zhao**, Mountain View, CA (US); **Phillip Yee**, San Francisco, CA (US); **Joseph Hollis Sargent**, San Francisco, CA (US)

OTHER PUBLICATIONS

CA Office Action in Canadian Appln No. 191863, dated Jan. 16, 2020, 14 pages.

(Continued)

(73) Assignee: **X Development LLC**, Mountain View, CA (US)

Primary Examiner — Patricia A Palasik

(74) *Attorney, Agent, or Firm* — Fish & Richardson P.C.

(**) Term: **15 Years**

(21) Appl. No.: **29/694,998**

(57) **CLAIM**

The ornamental design for a portable data collection device, as shown and described.

(22) Filed: **Jun. 14, 2019**

(51) **LOC (13) Cl.** **15-99**

(52) **U.S. Cl.**
USPC **D15/199**

DESCRIPTION

(58) **Field of Classification Search**
USPC D15/199, 122; D4/347
CPC G06K 7/12; G06K 7/1092; G06K 7/10722;
G06K 7/10732; G06K 7/10881; G07G
1/0081; H04N 5/225; H04N 5/2254;
H04N 9/0451; H04N 9/04561
See application file for complete search history.

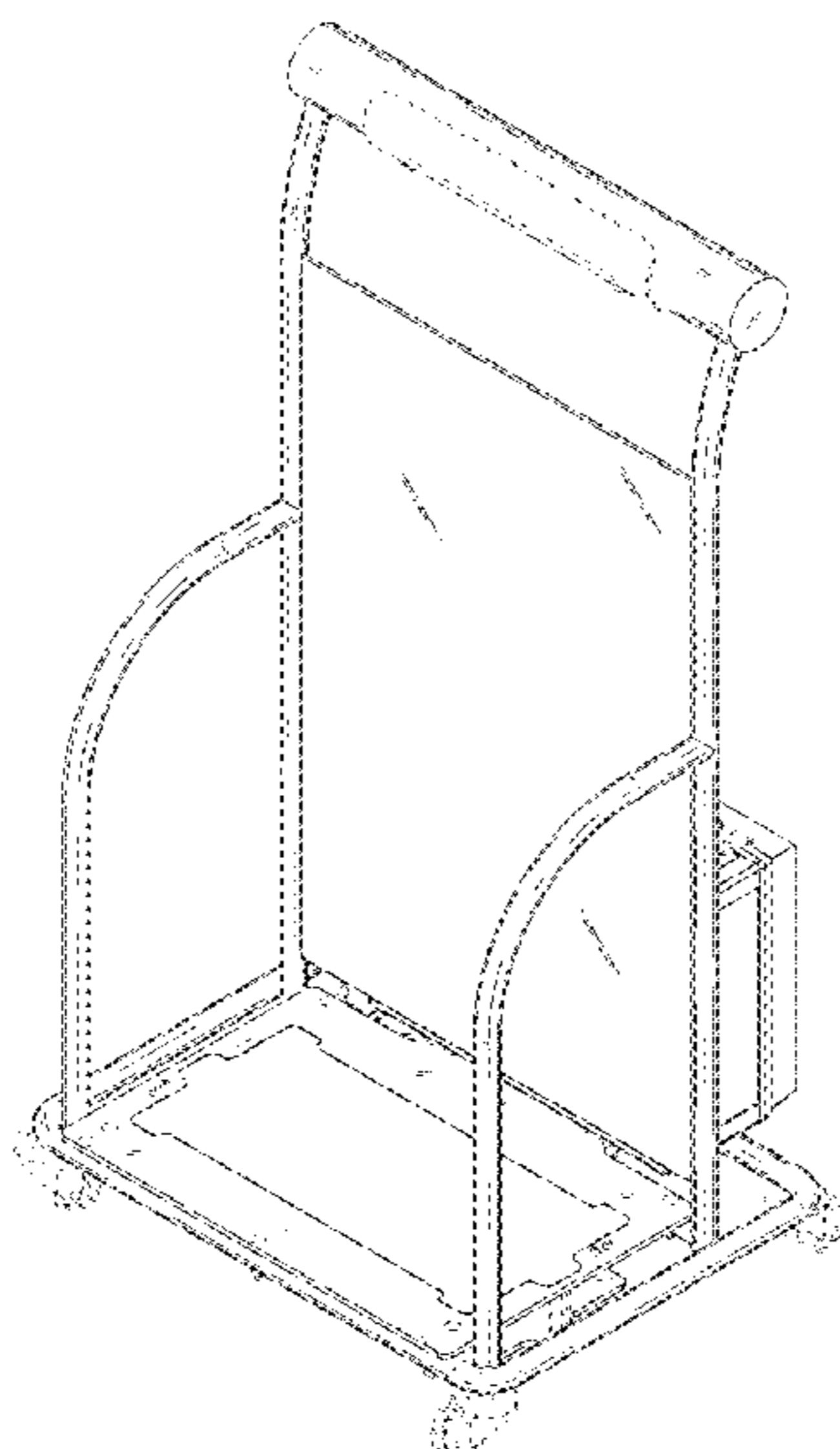
FIG. 1 is a front perspective view of a first embodiment of our portable data collection device;
FIG. 2 is a bottom perspective view thereof;
FIG. 3 is a front view thereof;
FIG. 4 is a back view thereof;
FIG. 5 is a right side view thereof;
FIG. 6 is a left side view thereof;
FIG. 7 is a top view thereof; and
FIG. 8 is a bottom view thereof.
FIG. 9 is a front perspective view of a second embodiment of our portable data collection device;
FIG. 10 is a bottom perspective view thereof;
FIG. 11 is a front view thereof;
FIG. 12 is a back view thereof;
FIG. 13 is a right side view thereof;
FIG. 14 is a left side view thereof;
FIG. 15 is a top view thereof; and
FIG. 16 is a bottom view thereof.

(56) **References Cited**

U.S. PATENT DOCUMENTS

D360,397 S * 7/1995 Wells D13/103
6,062,475 A * 5/2000 Feng H04N 5/2254
348/E5.025
6,119,935 A * 9/2000 Jelen B62B 3/1424
235/383
D445,785 S * 7/2001 Van Scoyoc D14/340
D467,918 S * 12/2002 Fitch D14/347
D834,009 S * 11/2018 Itou D14/248
2010/0320271 A1 * 12/2010 Chiarini H04M 1/04
235/439

1 Claim, 10 Drawing Sheets



(56)

References Cited

OTHER PUBLICATIONS

EU Office Action in European Union Appln. No. 007385935, dated Mar. 4, 2020, 3 pages.

AU Office Action in Australian Appln. No. 201917157, dated Feb. 3, 2020, 5 pages.

CN Notice of Allowance in Chinese Appln. No. 201930696719.7, dated Oct. 28, 2020, 5 pages (with English translation).

CN Office Action in Chinese Appln. No. 201930696719.7, dated Apr. 23, 2020, 2 pages (with machine translation).

* cited by examiner

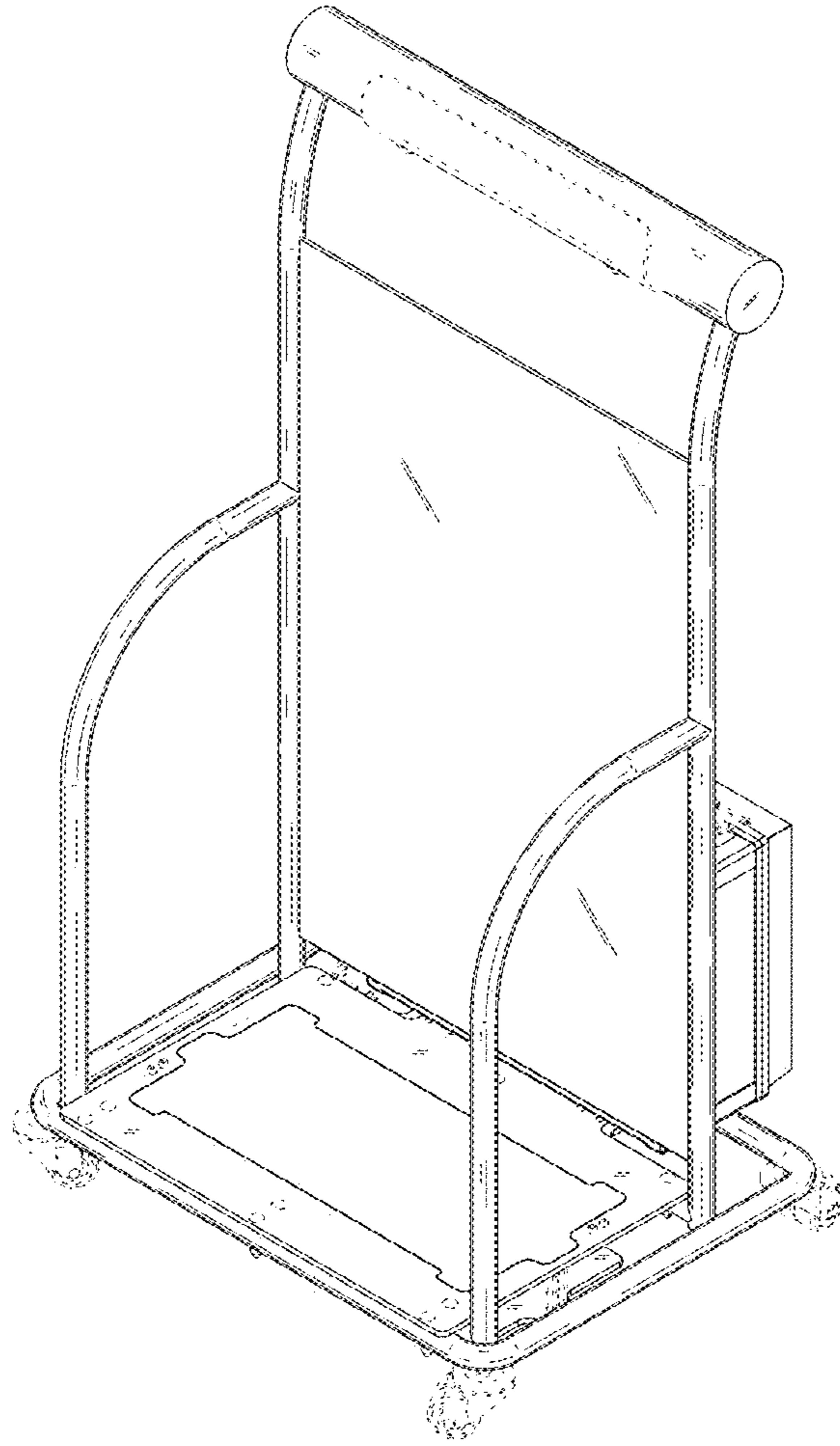


FIG. 1

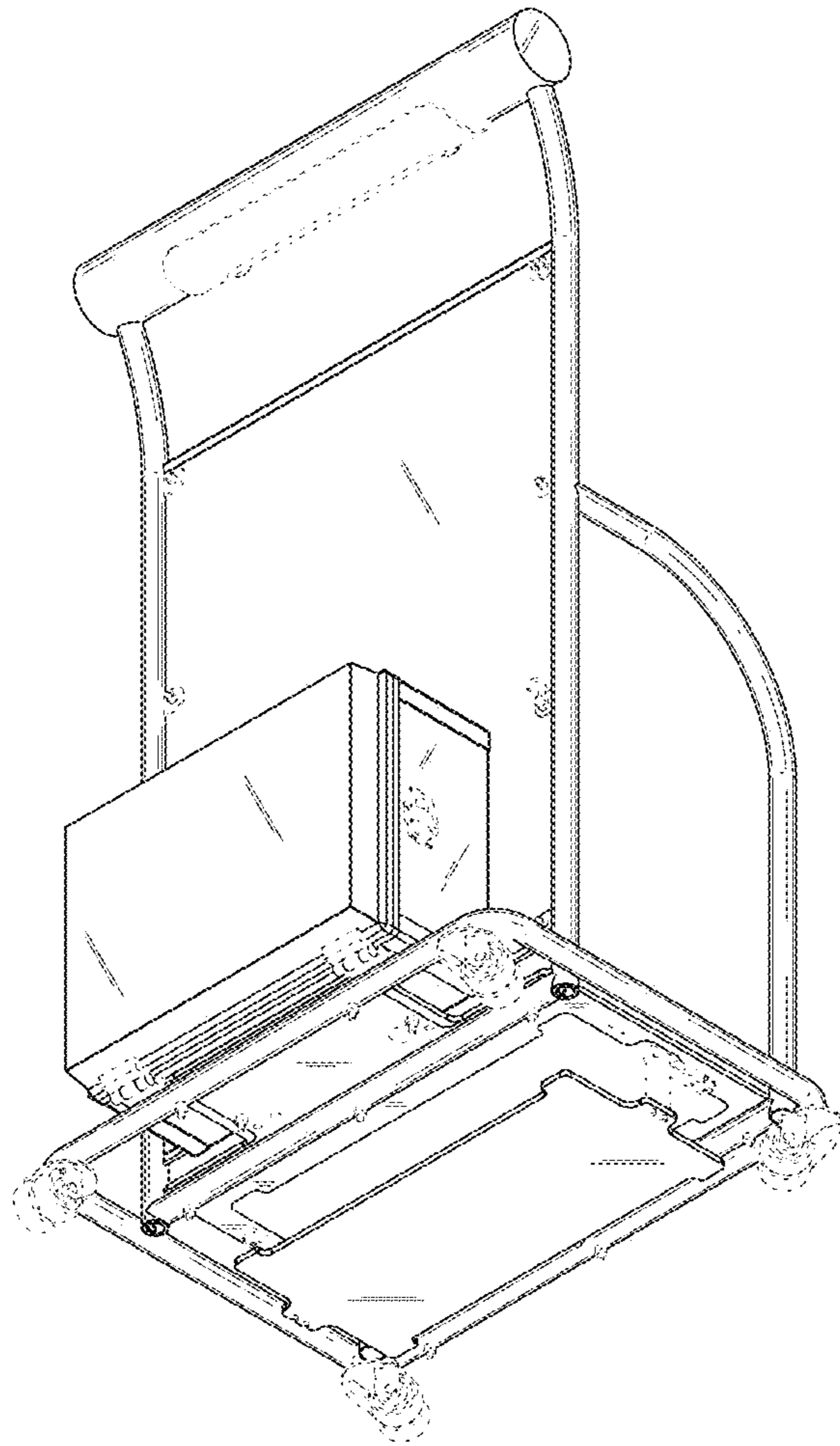


FIG. 2

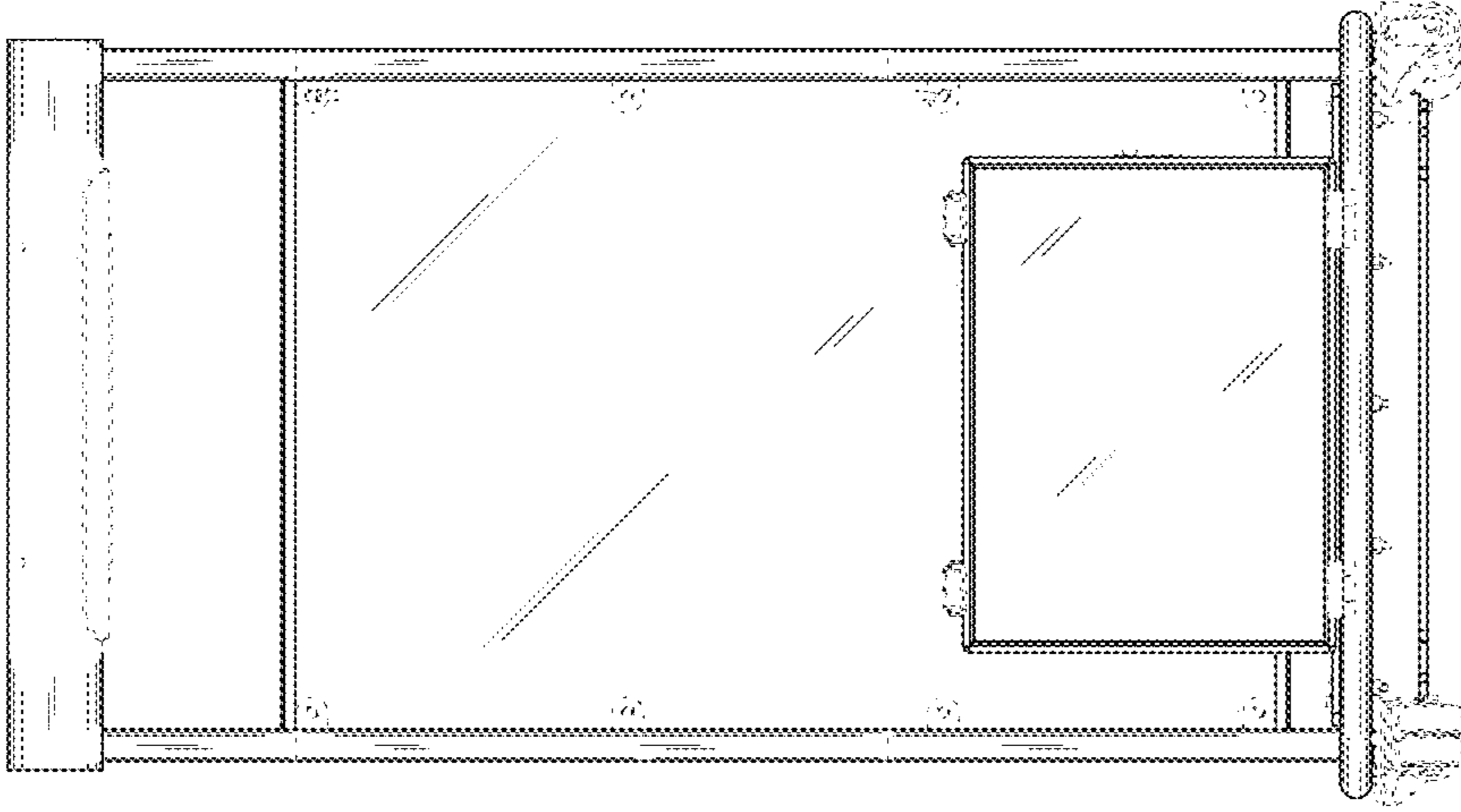


FIG. 4

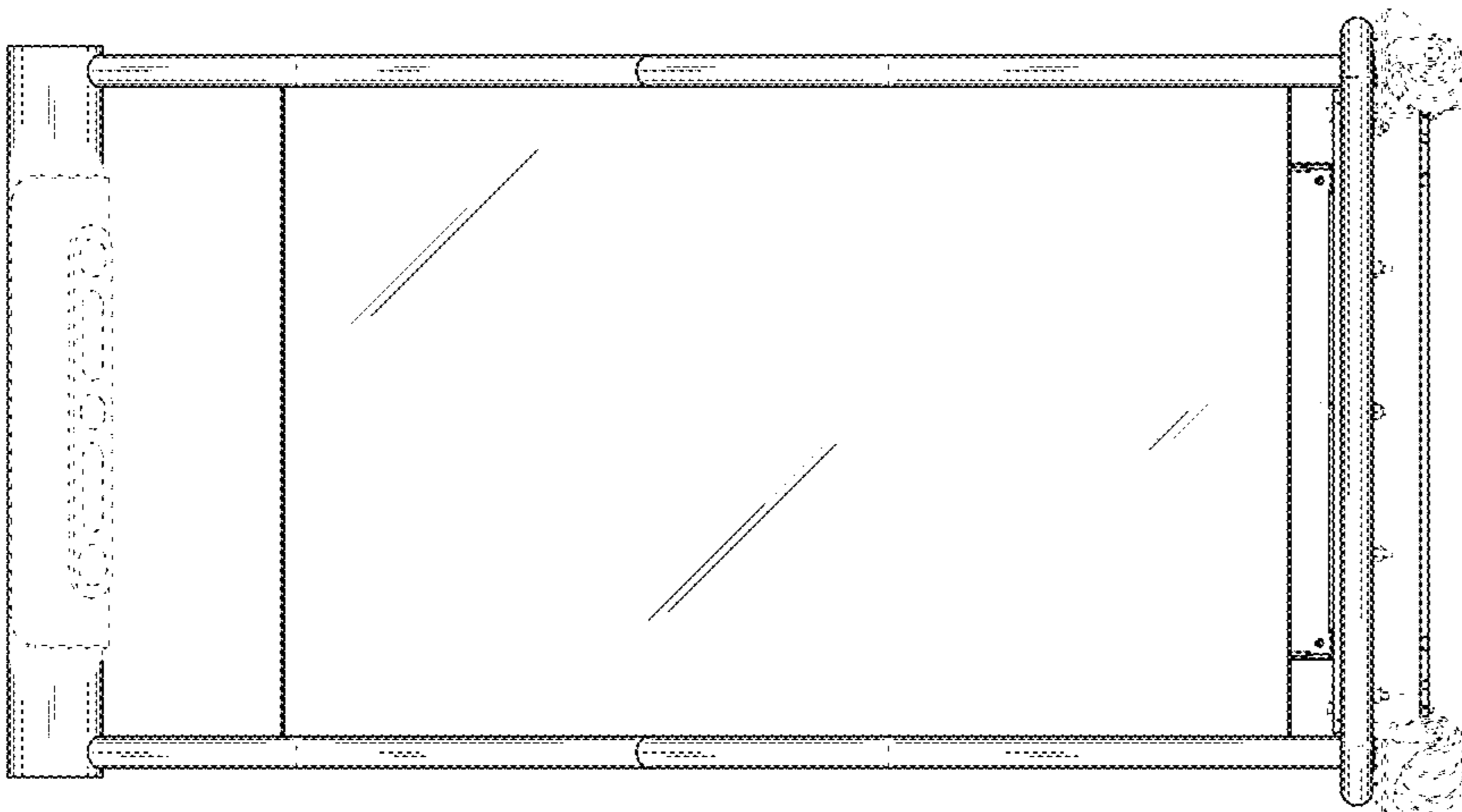


FIG. 3

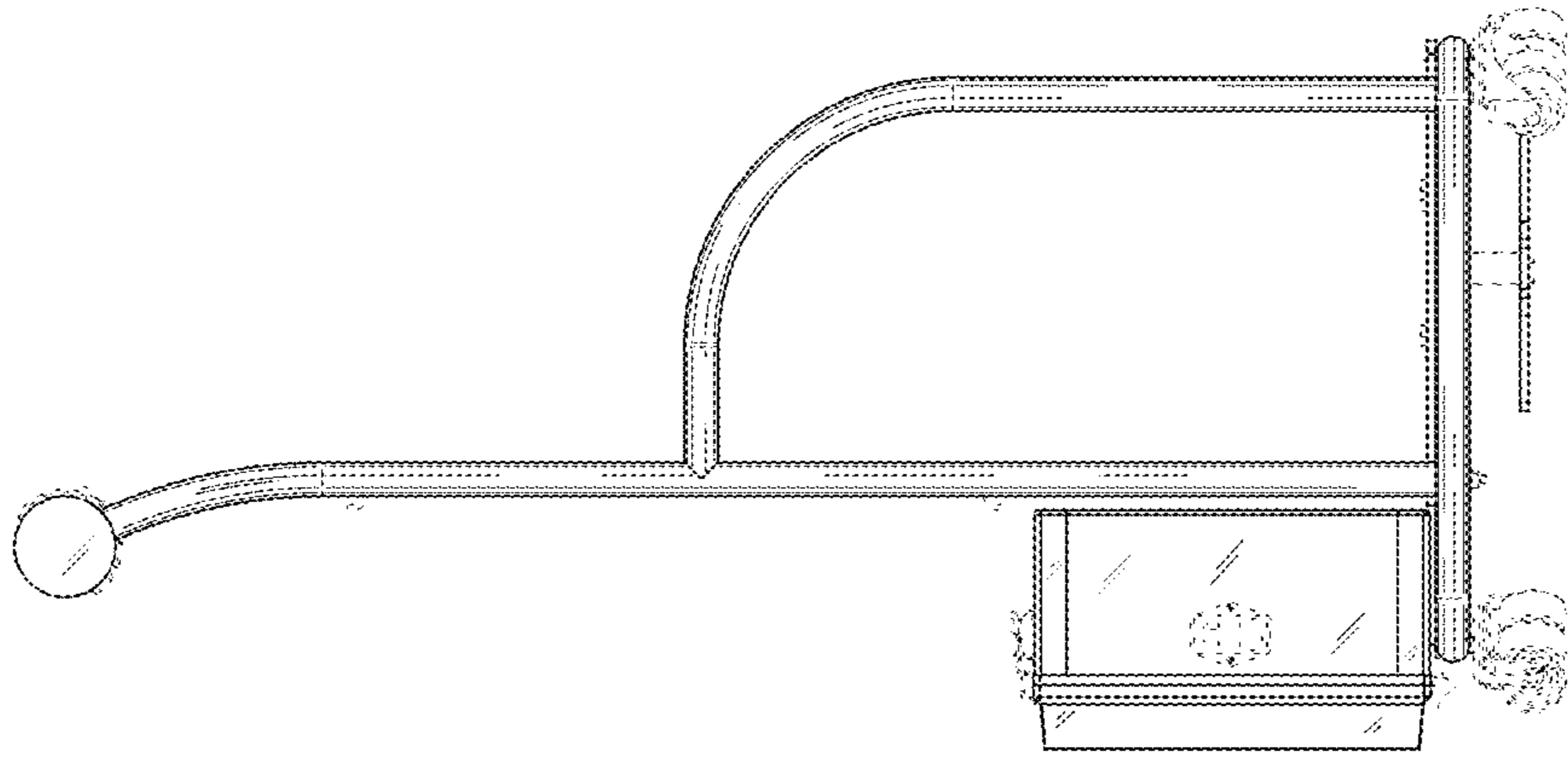


FIG. 6

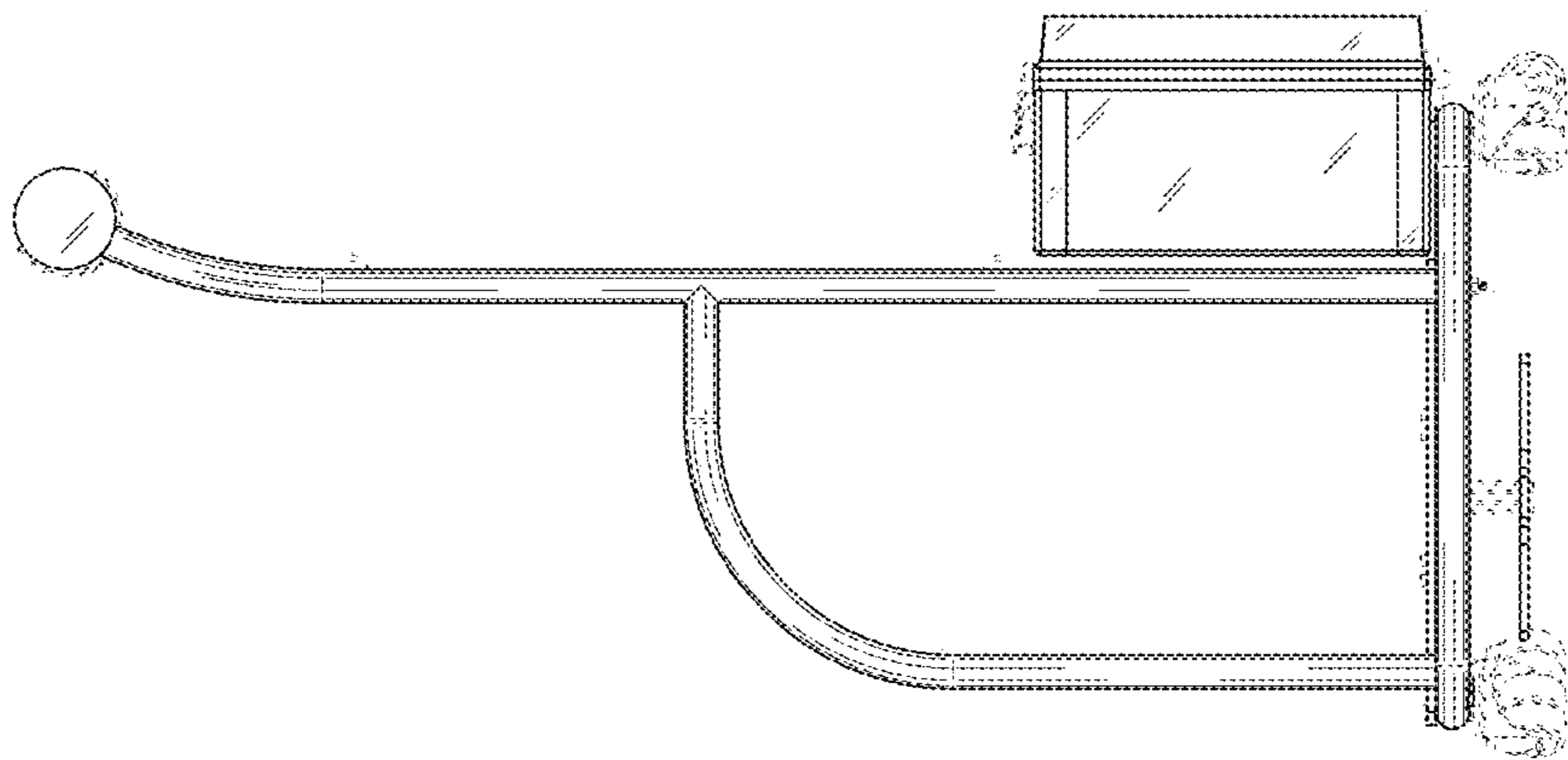


FIG. 5

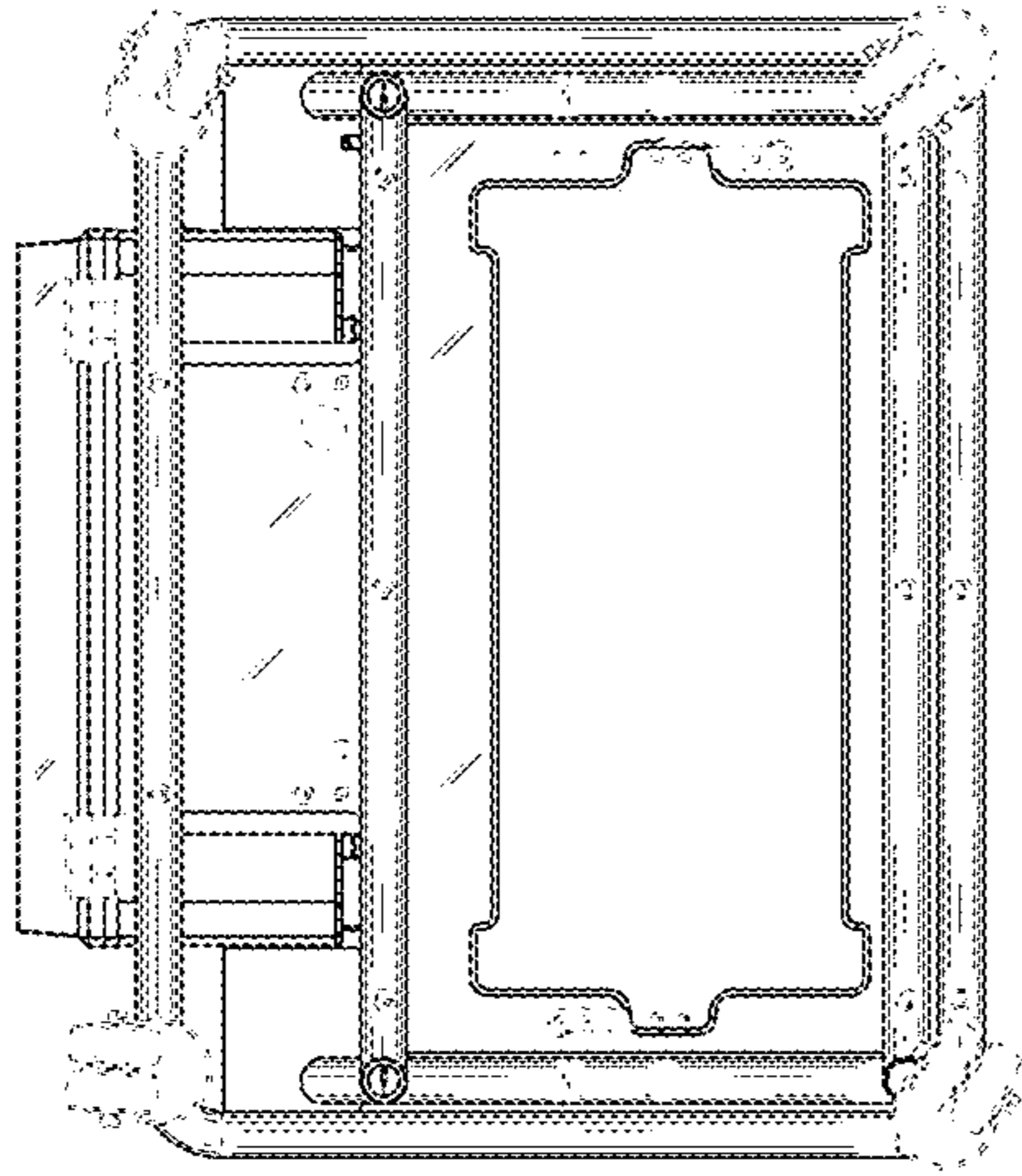


FIG. 7

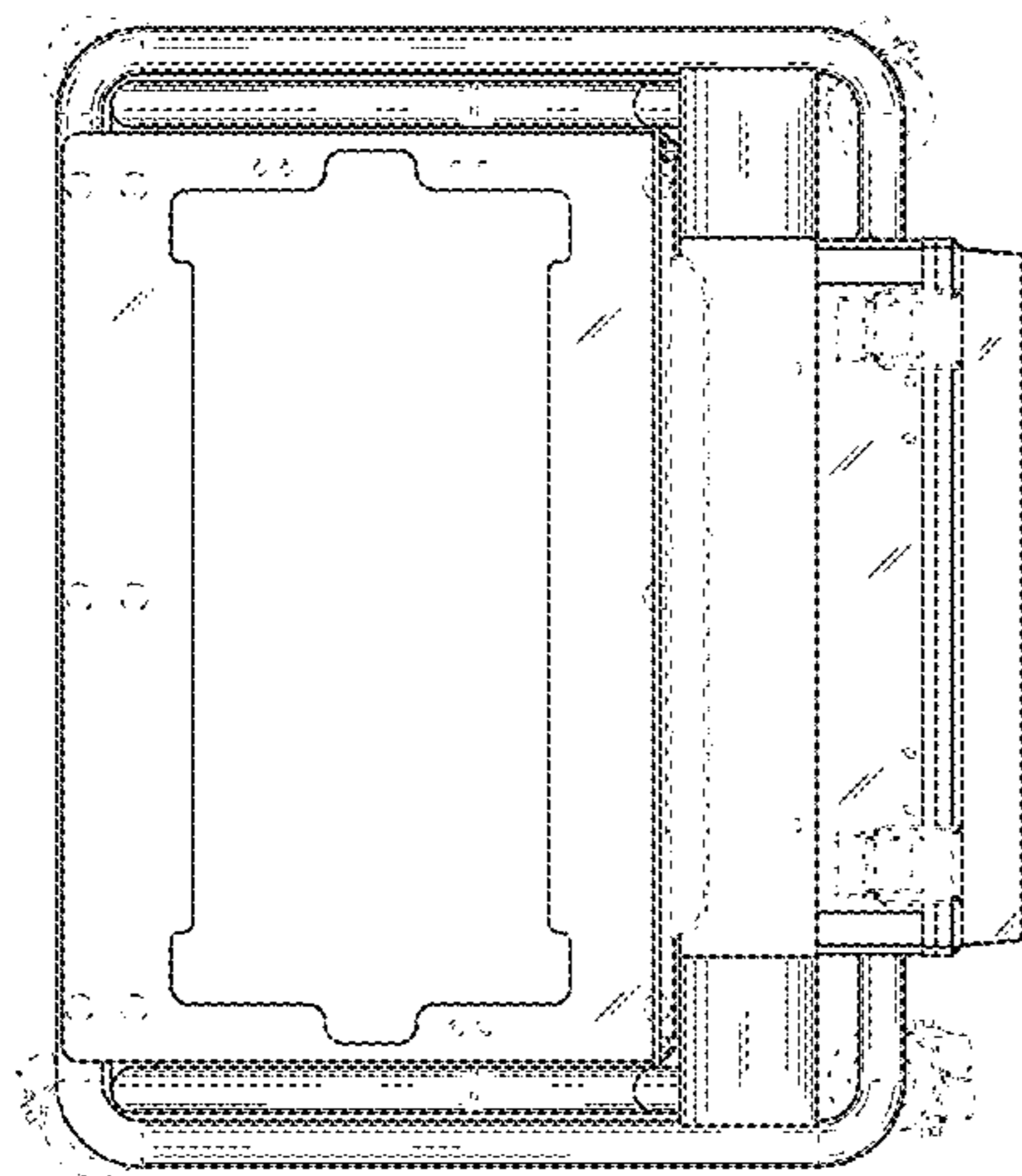


FIG. 8

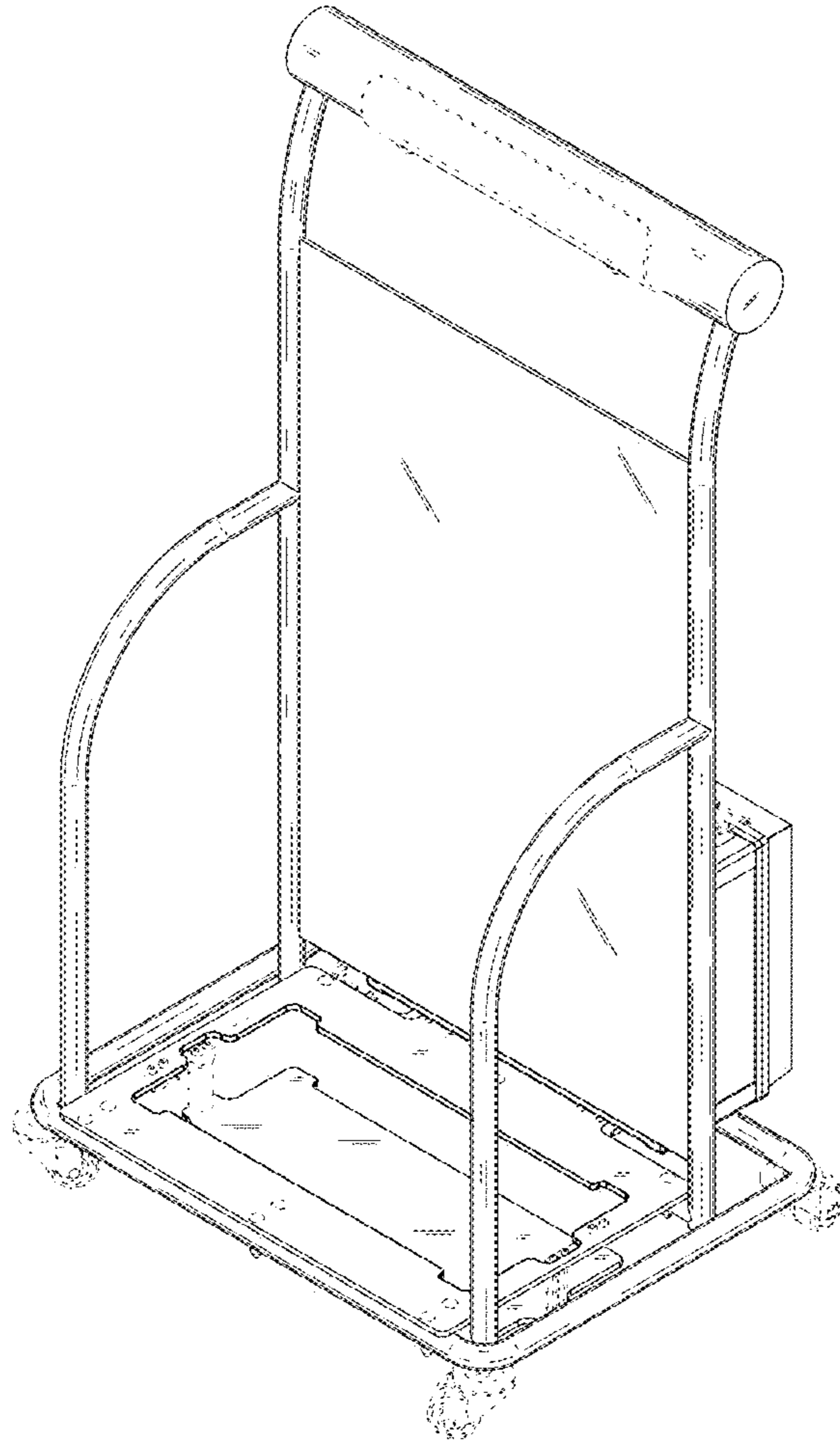


FIG. 9

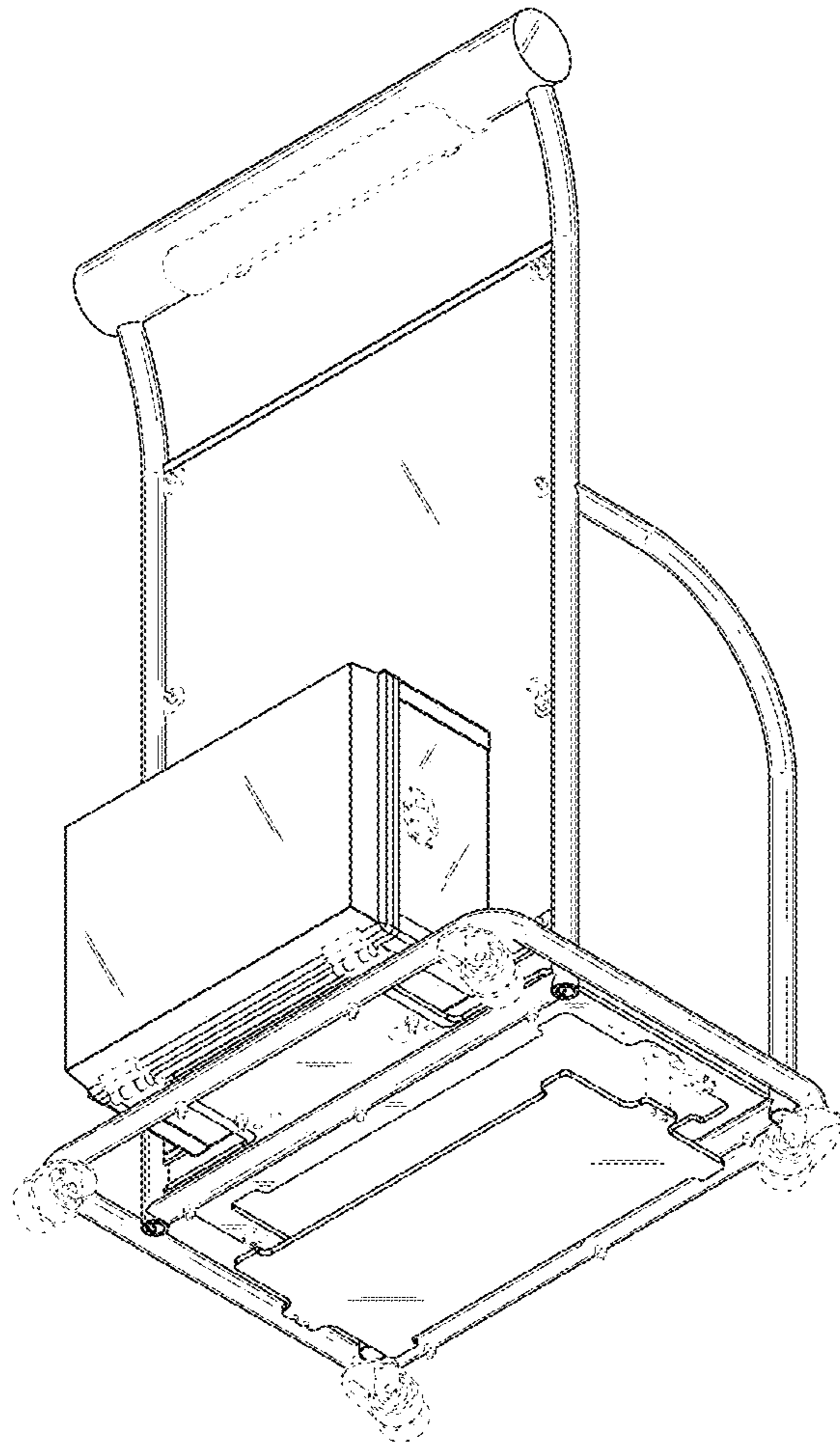


FIG. 10

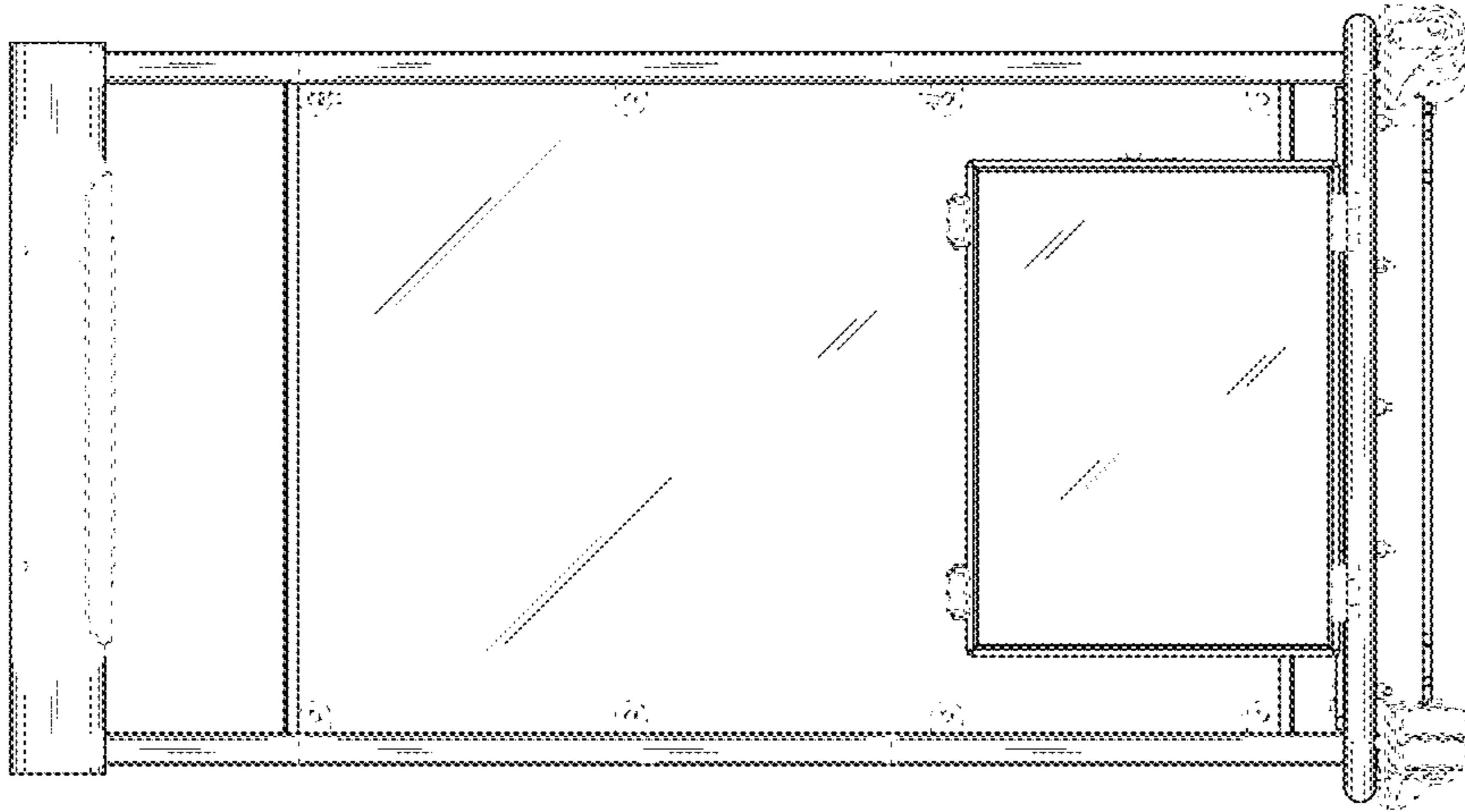


FIG. 11

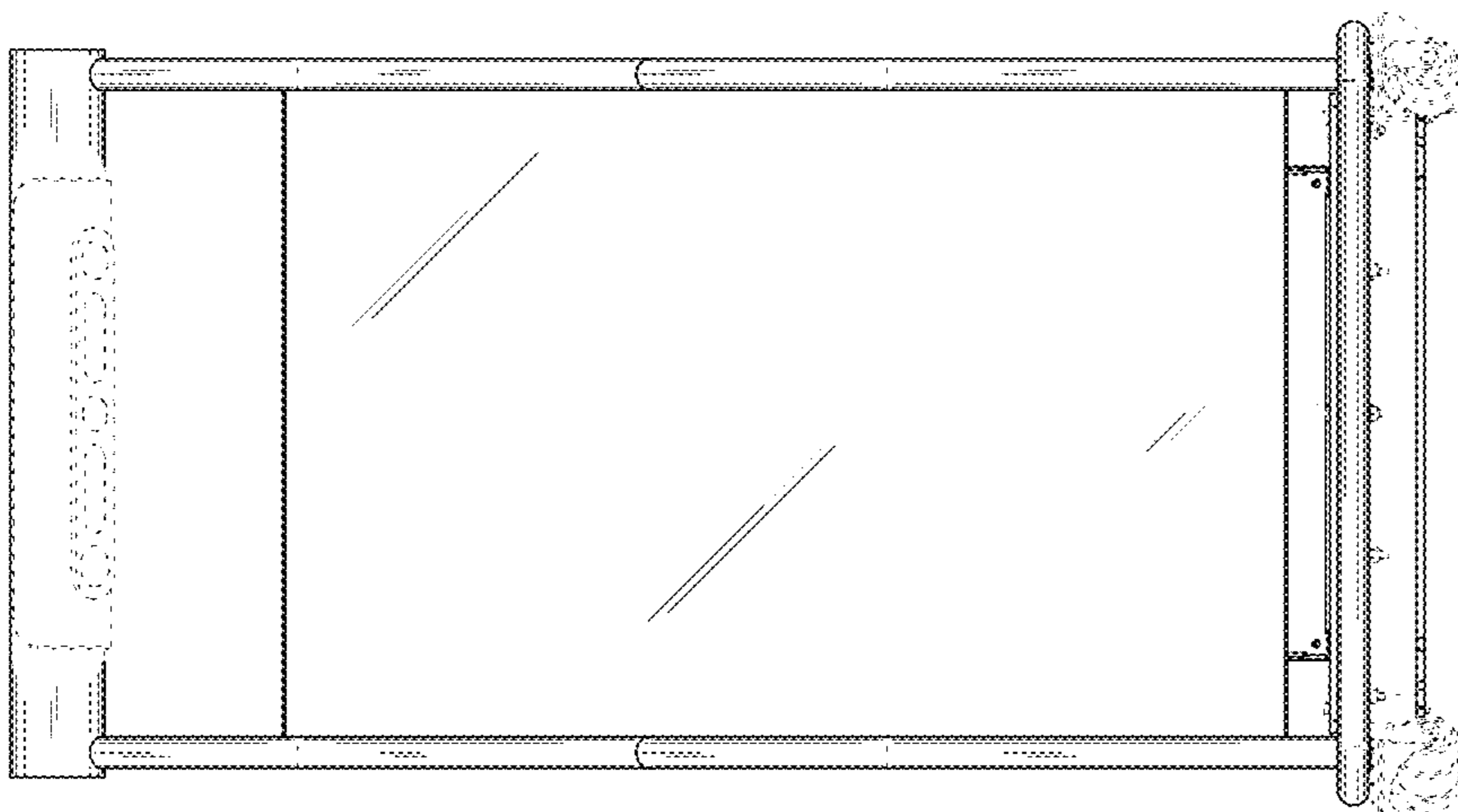


FIG. 12

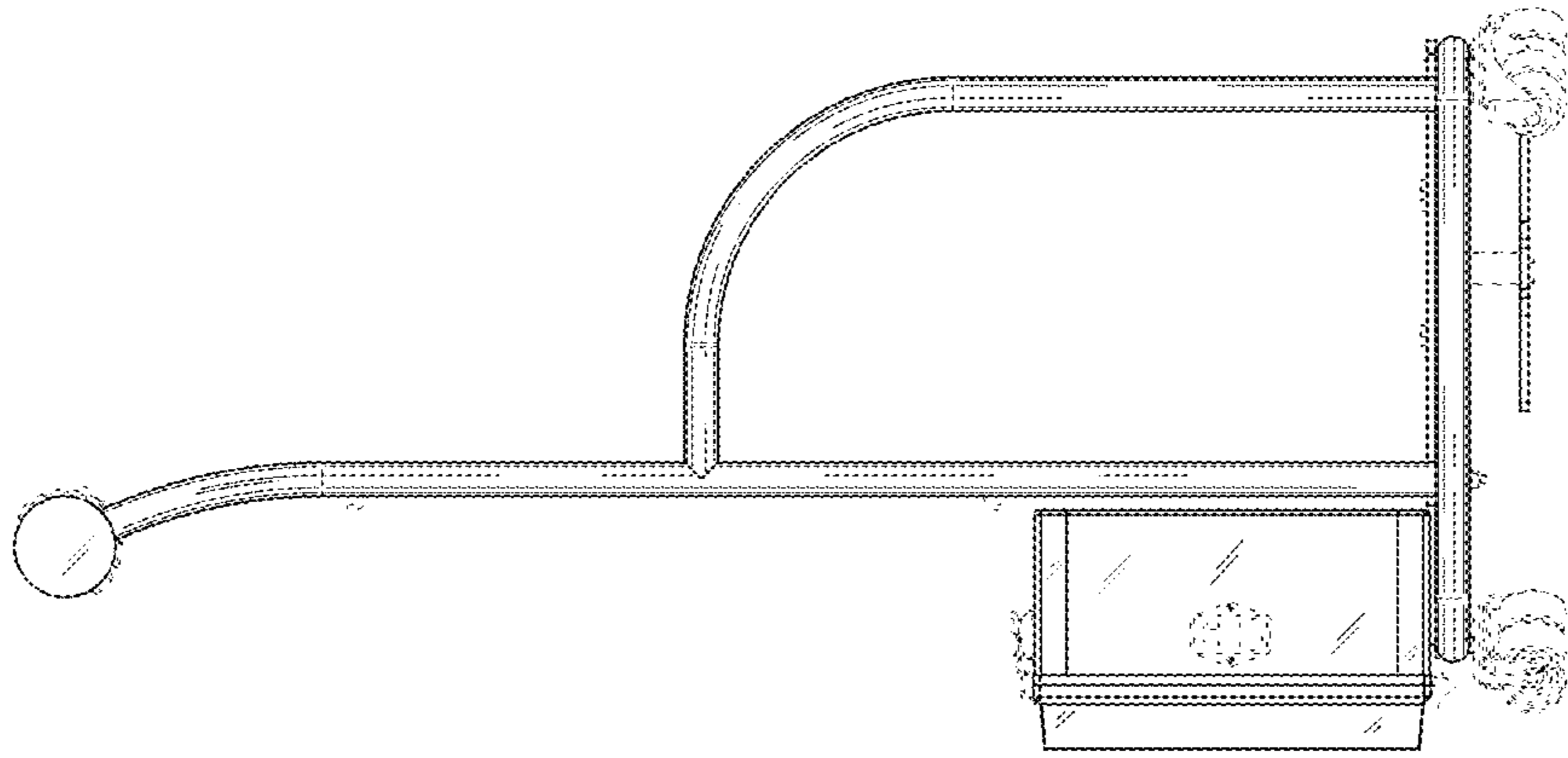


FIG. 13

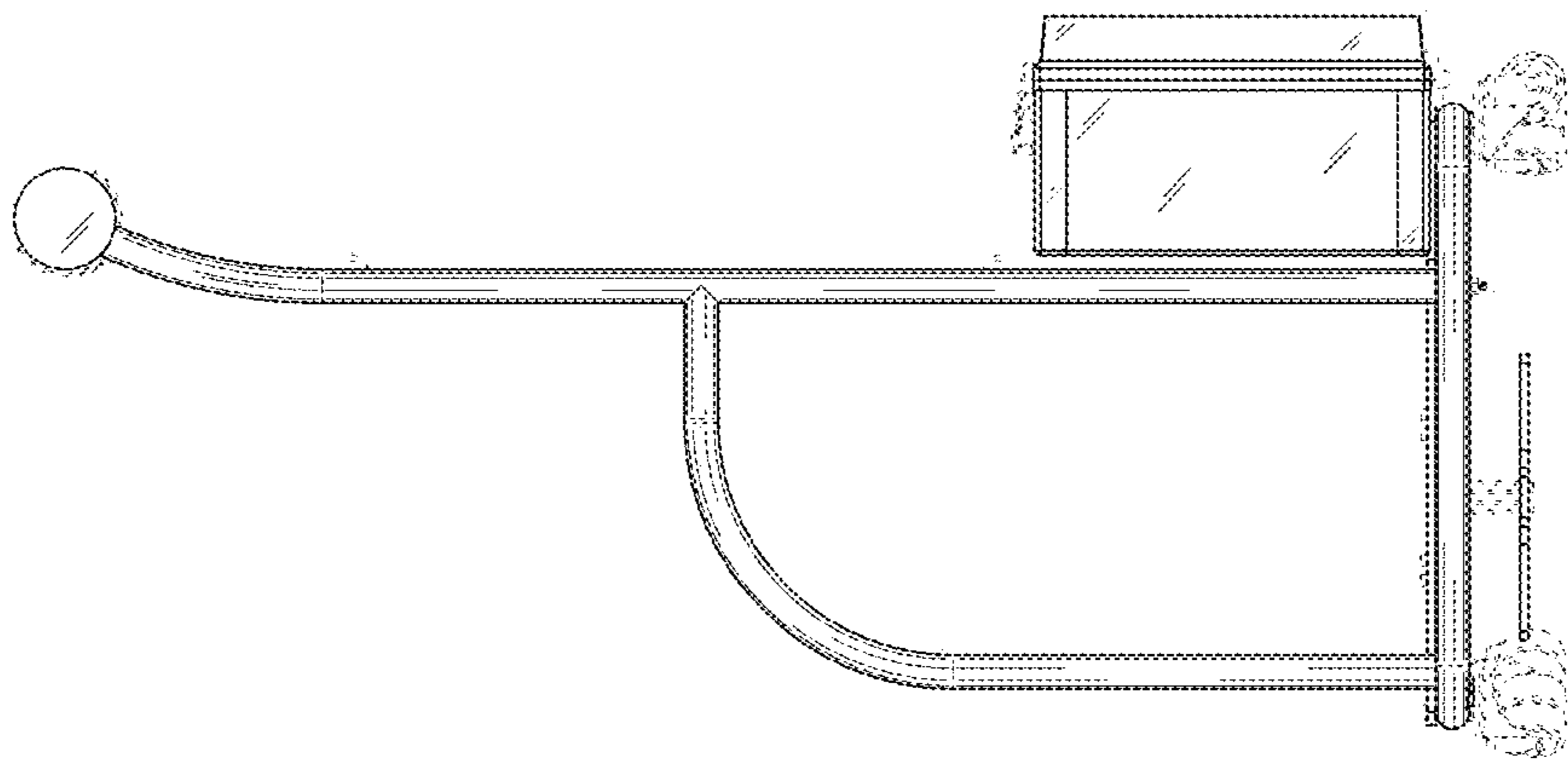


FIG. 14

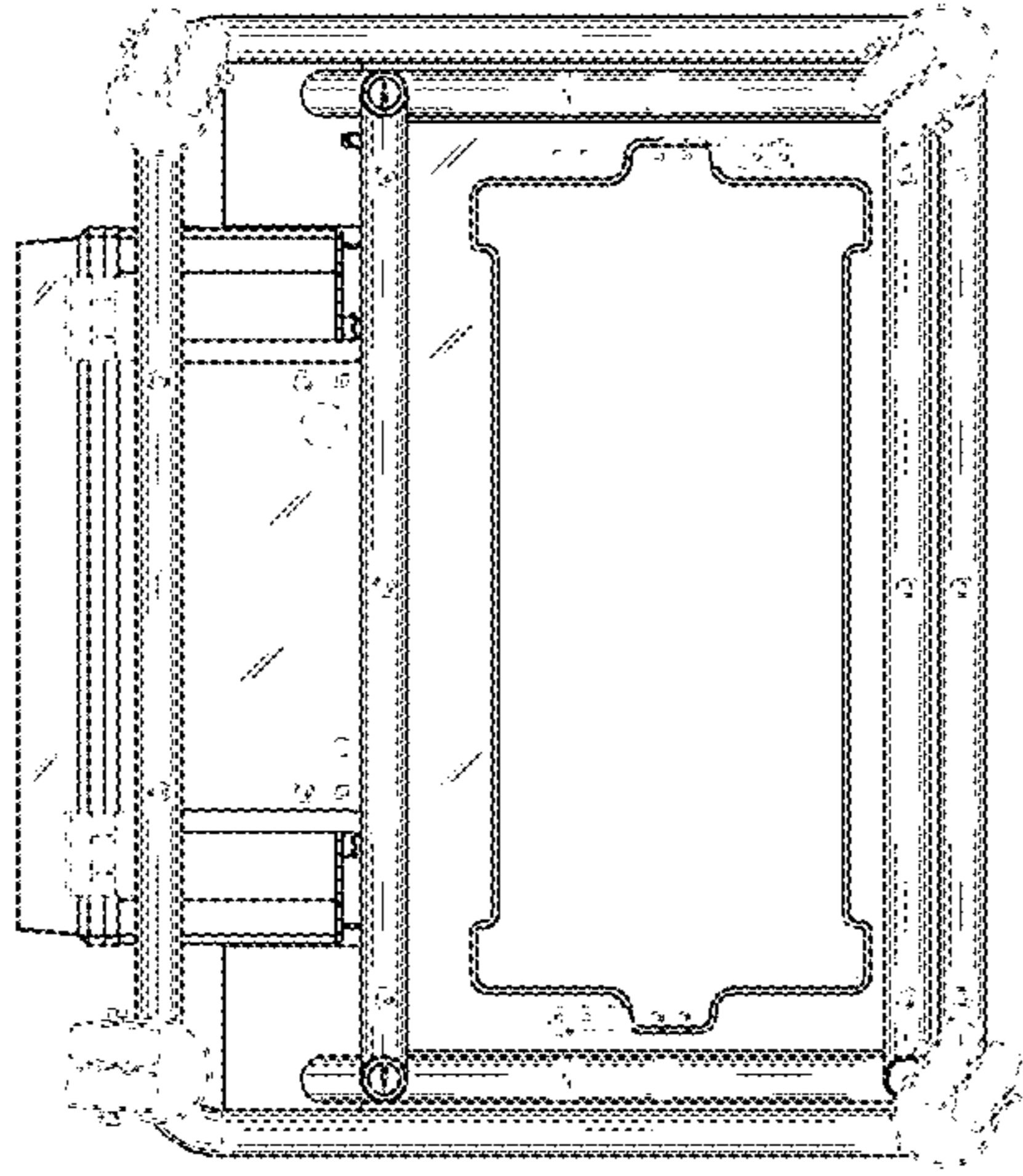


FIG. 15

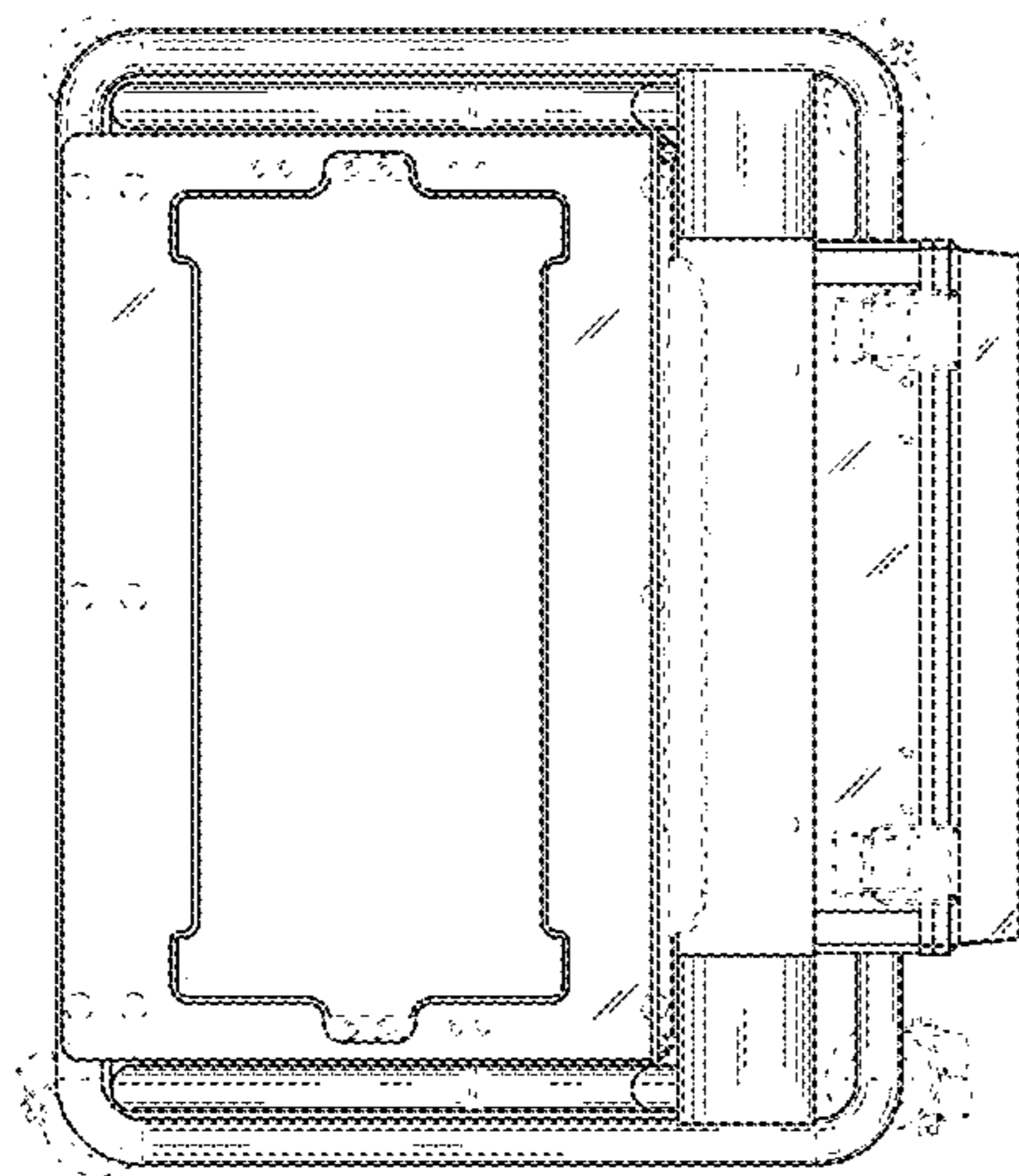


FIG. 16