



US00D956839S

(12) **United States Design Patent**  
**Yamamoto et al.**

(10) **Patent No.:** **US D956,839 S**

(45) **Date of Patent:** **\*\* Jul. 5, 2022**

(54) **SPEED REDUCER**

(71) Applicant: **Sumitomo Heavy Industries, Ltd.**,  
Tokyo (JP)

(72) Inventors: **Akira Yamamoto**, Yokosuka (JP);  
**Mitsuhiro Tamura**, Yokosuka (JP);  
**Masahiro Watanabe**, Yokosuka (JP);  
**Toshiaki Matoba**, Osaka (JP)

(73) Assignee: **SUMITOMO HEAVY INDUSTRIES,**  
**LTD.**, Tokyo (JP)

(\*\*) Term: **15 Years**

(21) Appl. No.: **35/512,018**

(22) Filed: **Dec. 14, 2020**

(80) **Hague Agreement Data**

Int. Filing Date: **Dec. 14, 2020**

Int. Reg. No.: **DM/211876**

Int. Reg. Date: **Dec. 14, 2020**

Int. Reg. Pub. Date: **Jun. 18, 2021**

(51) **LOC (13) Cl.** ..... **15-99**

(52) **U.S. Cl.**  
USPC ..... **D15/149**

(58) **Field of Classification Search**

USPC ..... D15/148-149; D12/180, 400

CPC ..... F02N 15/043; F16C 2240/26; F01M

2013/0088; F03C 1/004; F04B

2203/0605; F04B 2203/1201; G05B

2219/50044; B60G 2400/37; F16D

2127/007; B60T 2260/06

See application file for complete search history.

(56) **References Cited**

**U.S. PATENT DOCUMENTS**

4,487,091 A \* 12/1984 Pierrat ..... F16H 1/32  
475/168

D364,179 S \* 11/1995 Brush ..... D15/5

D497,374 S \* 10/2004 Wittenstein ..... D15/148  
D529,527 S \* 10/2006 Kinoshita ..... D15/148  
D638,454 S \* 5/2011 Torii ..... D15/143  
D639,321 S \* 6/2011 Torii ..... D15/143  
D702,605 S \* 4/2014 Romani ..... D12/180  
D779,390 S \* 2/2017 Shentu ..... D12/133  
D781,943 S \* 3/2017 Ries ..... D15/199  
D789,432 S \* 6/2017 Tokuda ..... D15/148  
D790,617 S \* 6/2017 Tokuda ..... D15/148  
D795,934 S \* 8/2017 Ebner ..... D15/148  
D800,198 S \* 10/2017 Branning ..... D15/149  
D802,640 S \* 11/2017 Hannet ..... D15/149

(Continued)

*Primary Examiner* — Mojtaba Tehrani

(74) *Attorney, Agent, or Firm* — Michael Best and  
Friedrich LLP

(57) **CLAIM**

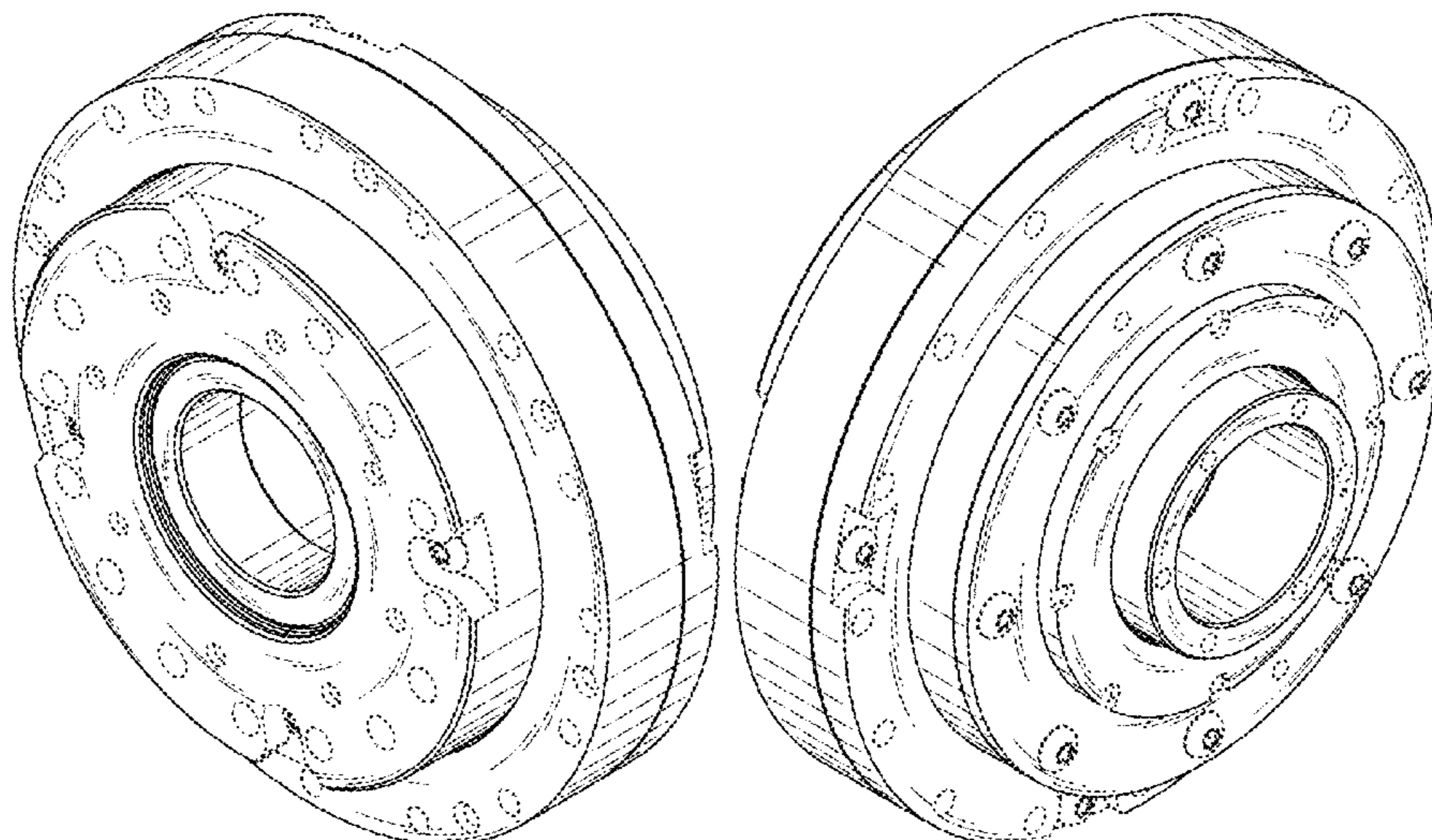
The ornamental design for a speed reducer, as shown and  
described.

**DESCRIPTION**

1. Speed reducer
2. Speed reducer
  - 1.1 : Front, right and top perspective view
  - 1.2 : Back, left and top perspective view
  - 1.3 : Front
  - 1.4 : Back
  - 1.5 : Left
  - 1.6 : Right
  - 1.7 : Top
  - 1.8 : Bottom
  - 2.1 : Front, right and top perspective view
  - 2.2 : Back, left and top perspective view
  - 2.3 : Front
  - 2.4 : Back
  - 2.5 : Left
  - 2.6 : Right
  - 2.7 : Top
  - 2.8 : Bottom

The parts shown by means of broken lines in the reproduc-  
tions of the design 1 are not part of the claimed design.

**1 Claim, 16 Drawing Sheets**



(56)

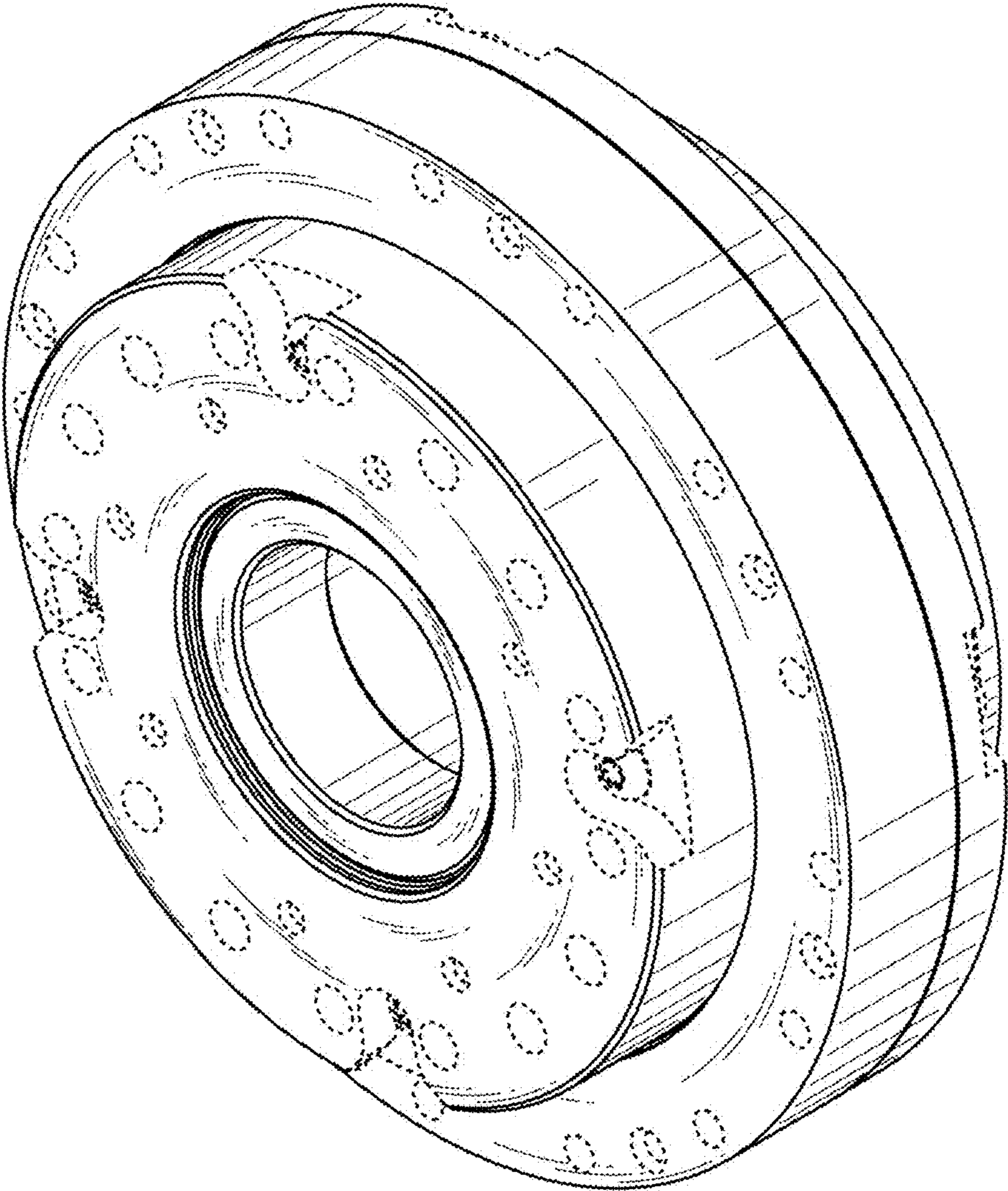
**References Cited**

U.S. PATENT DOCUMENTS

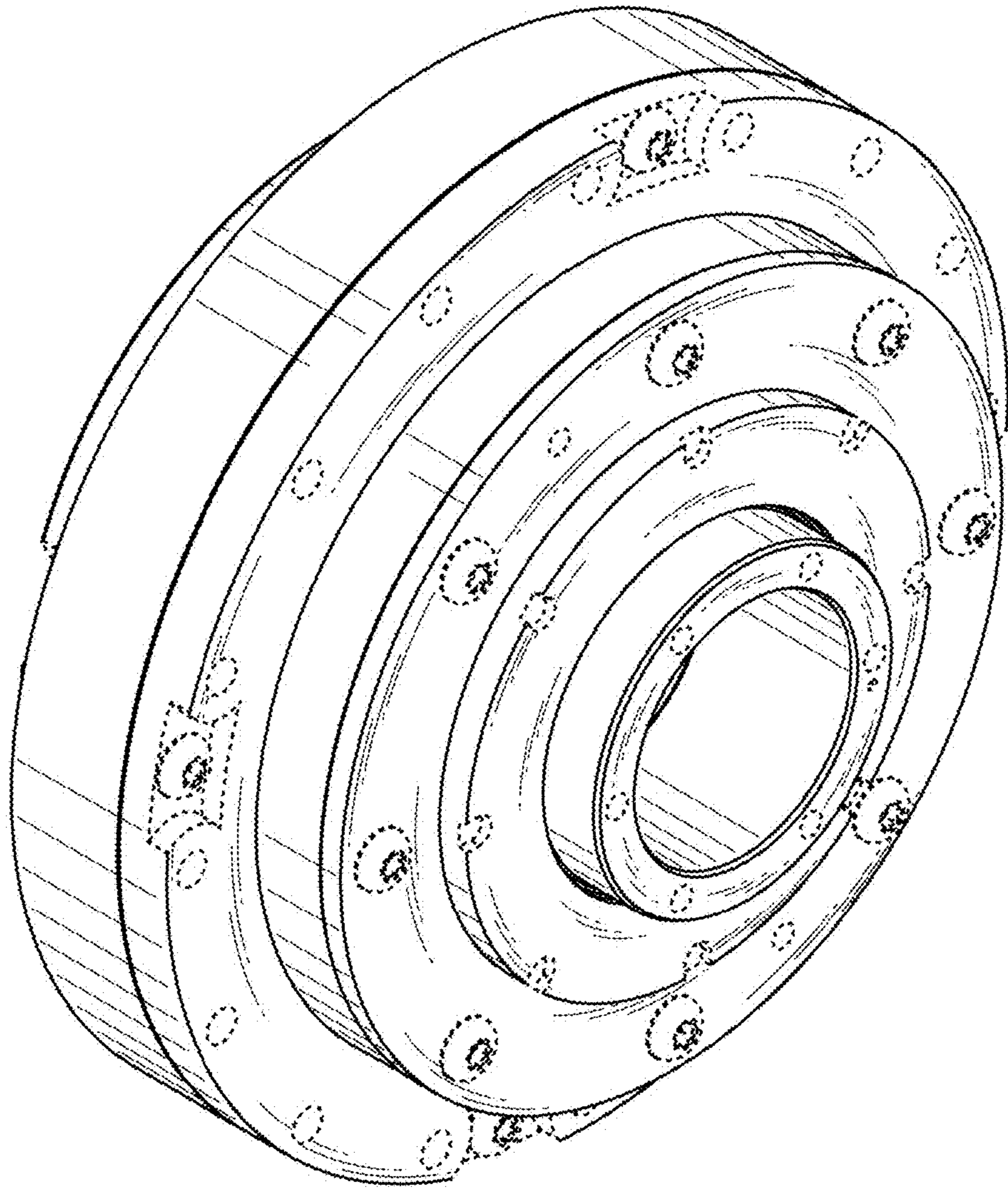
D821,472	S	*	6/2018	Ishikawa	.....	D15/149
D827,003	S	*	8/2018	Goos	.....	D15/148
D827,004	S	*	8/2018	Goos	.....	D15/148
D831,719	S	*	10/2018	Shigemi	.....	D15/149
D833,495	S	*	11/2018	Nakamura	.....	D15/149
D873,318	S	*	1/2020	Andersson	.....	D15/148
D904,478	S	*	12/2020	Costa	.....	F16H 35/10 D15/149
D908,756	S	*	1/2021	Bos	.....	D15/148
2020/0217398	A1	*	7/2020	Saito	.....	F16H 55/17
2021/0285519	A1	*	9/2021	Zhang	.....	B61B 13/02

\* cited by examiner

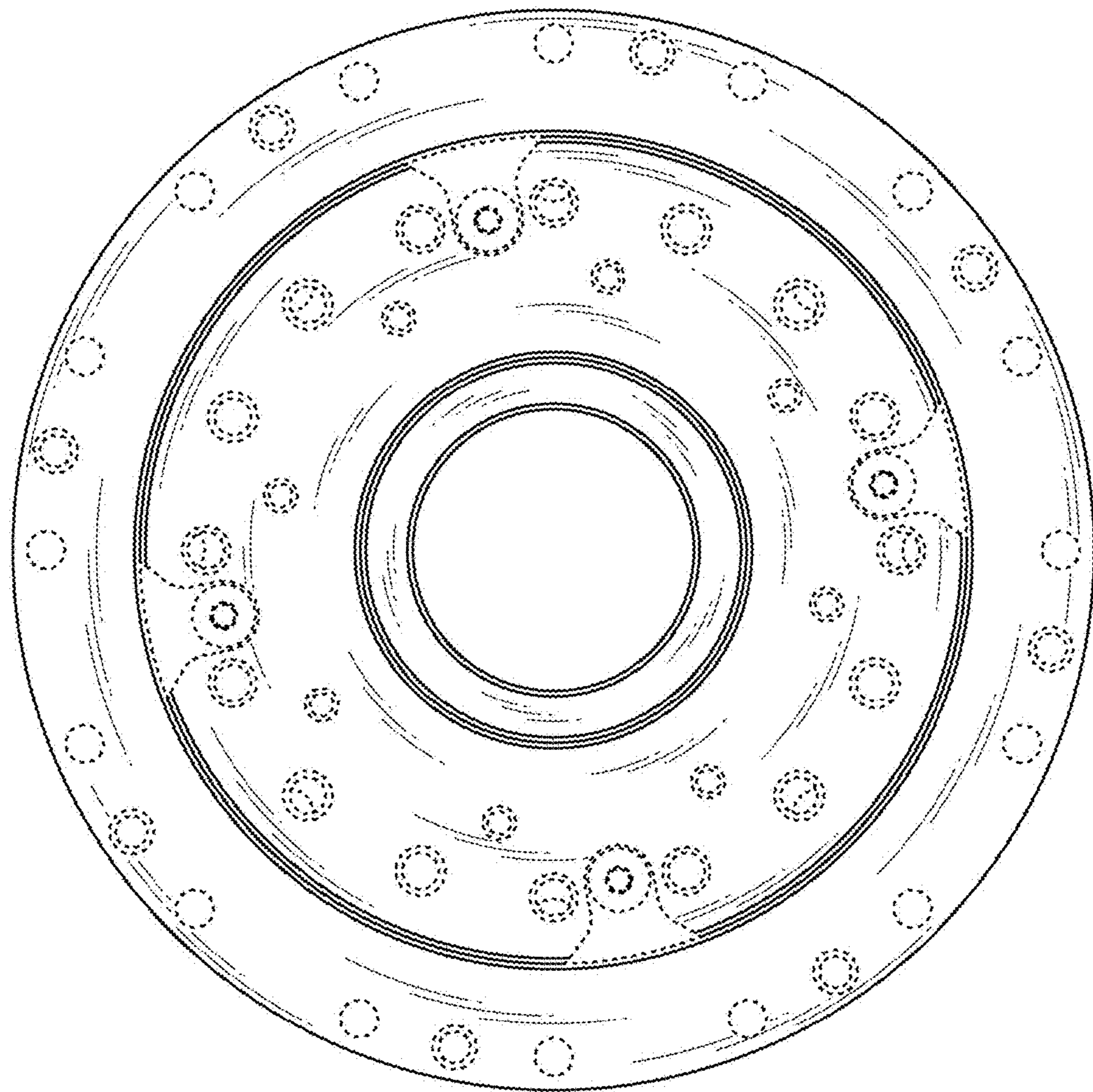
1.1



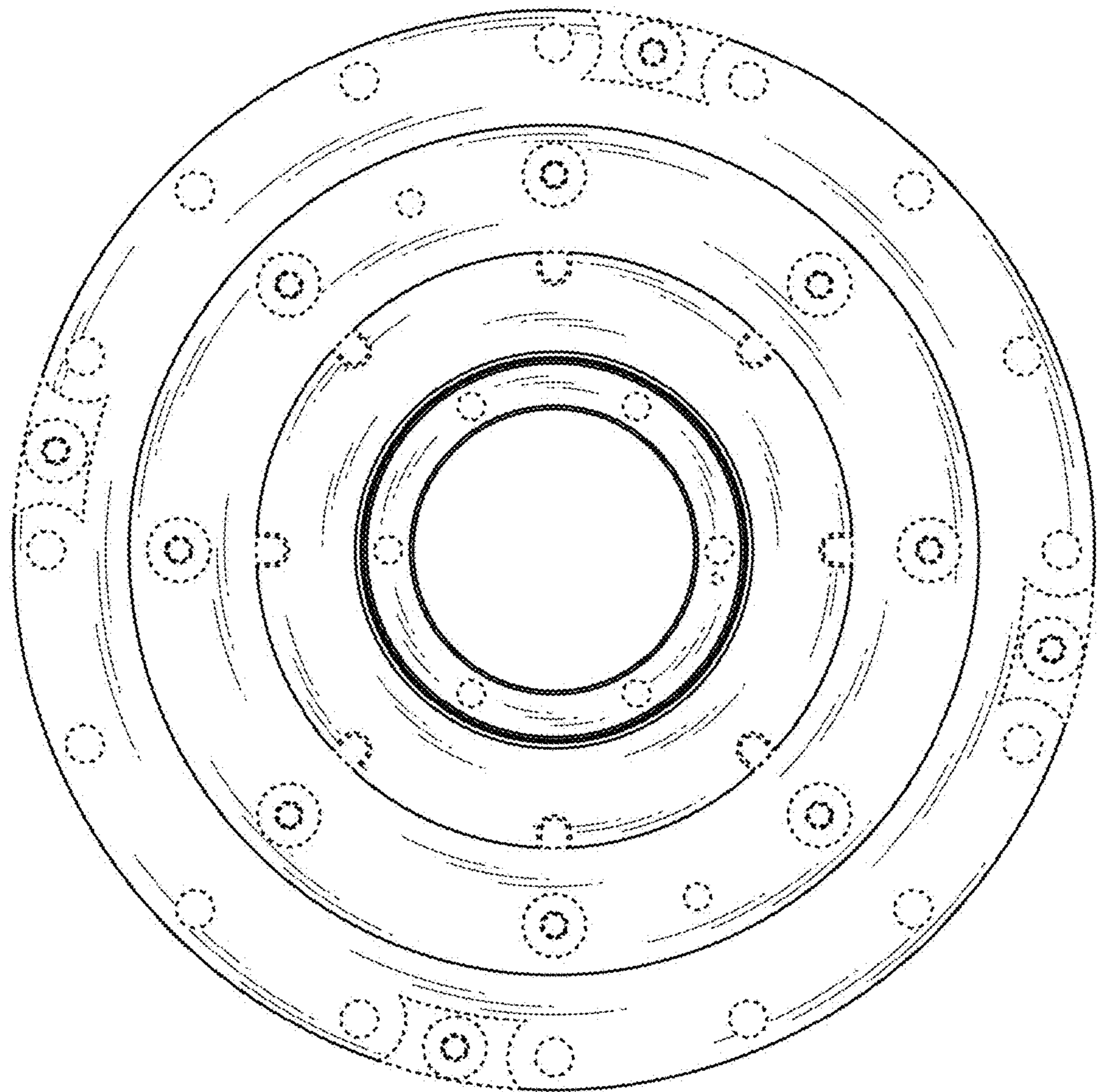
1.2



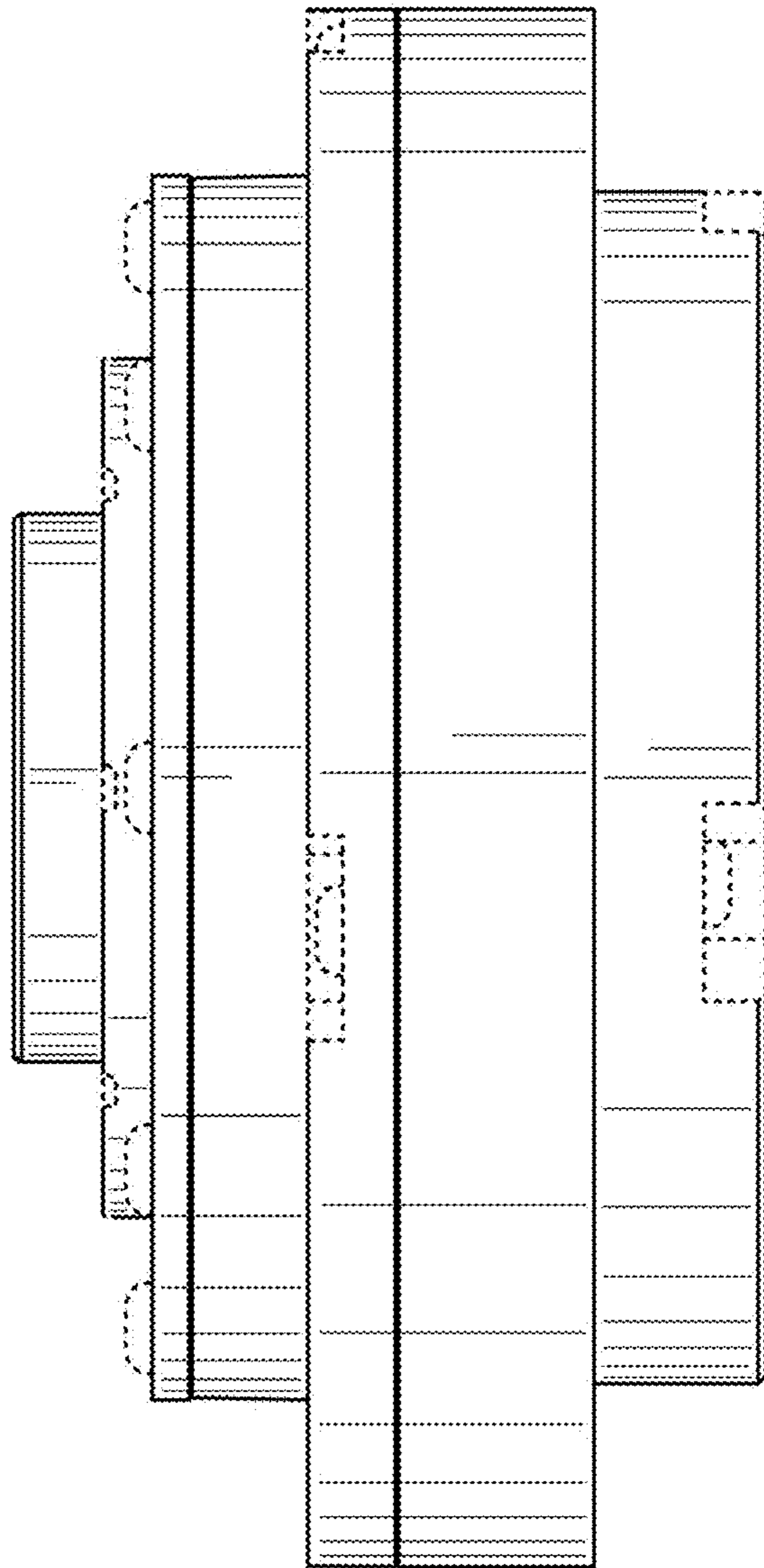
1.3



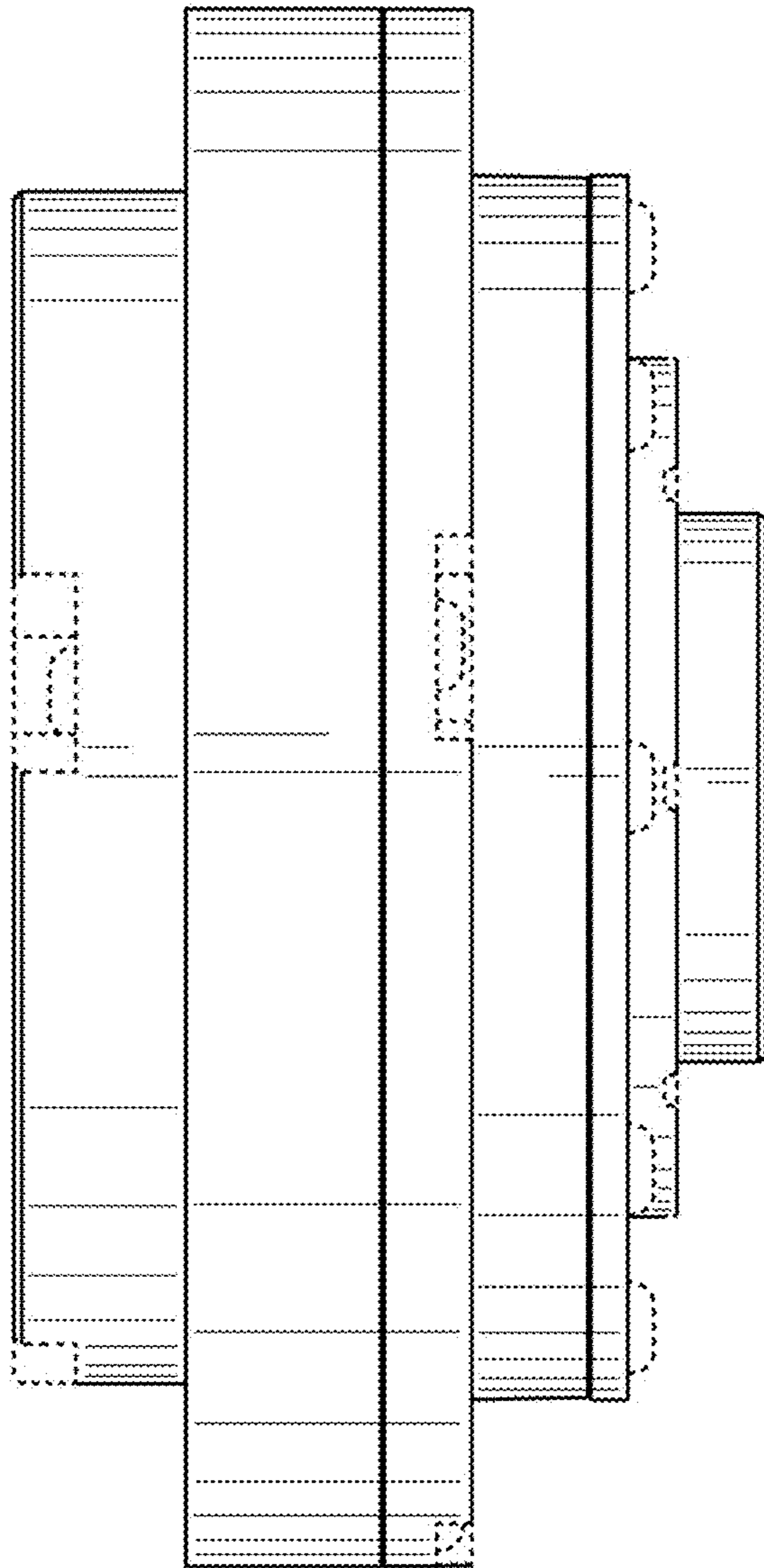
1.4



1.5

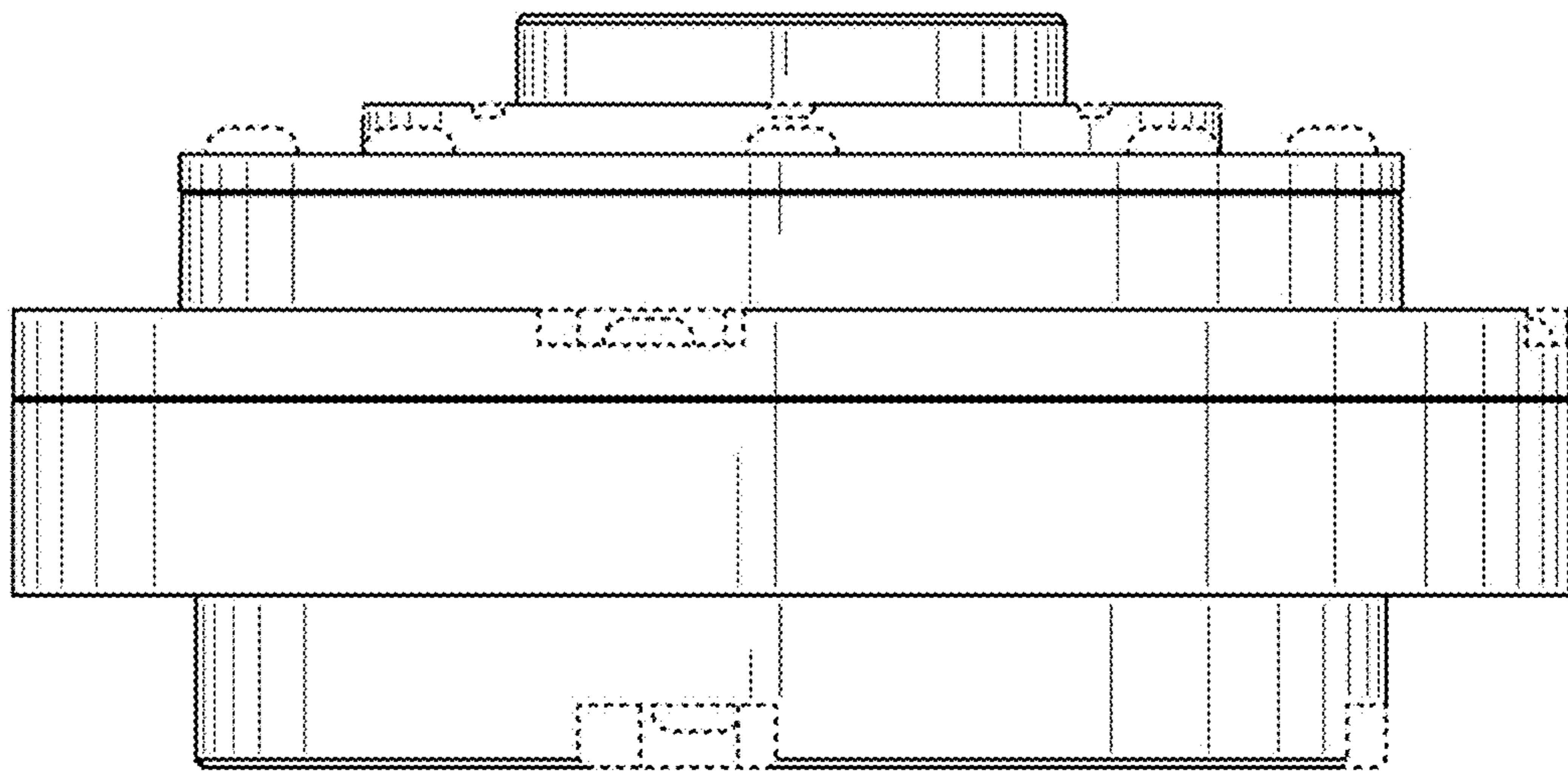


1.6

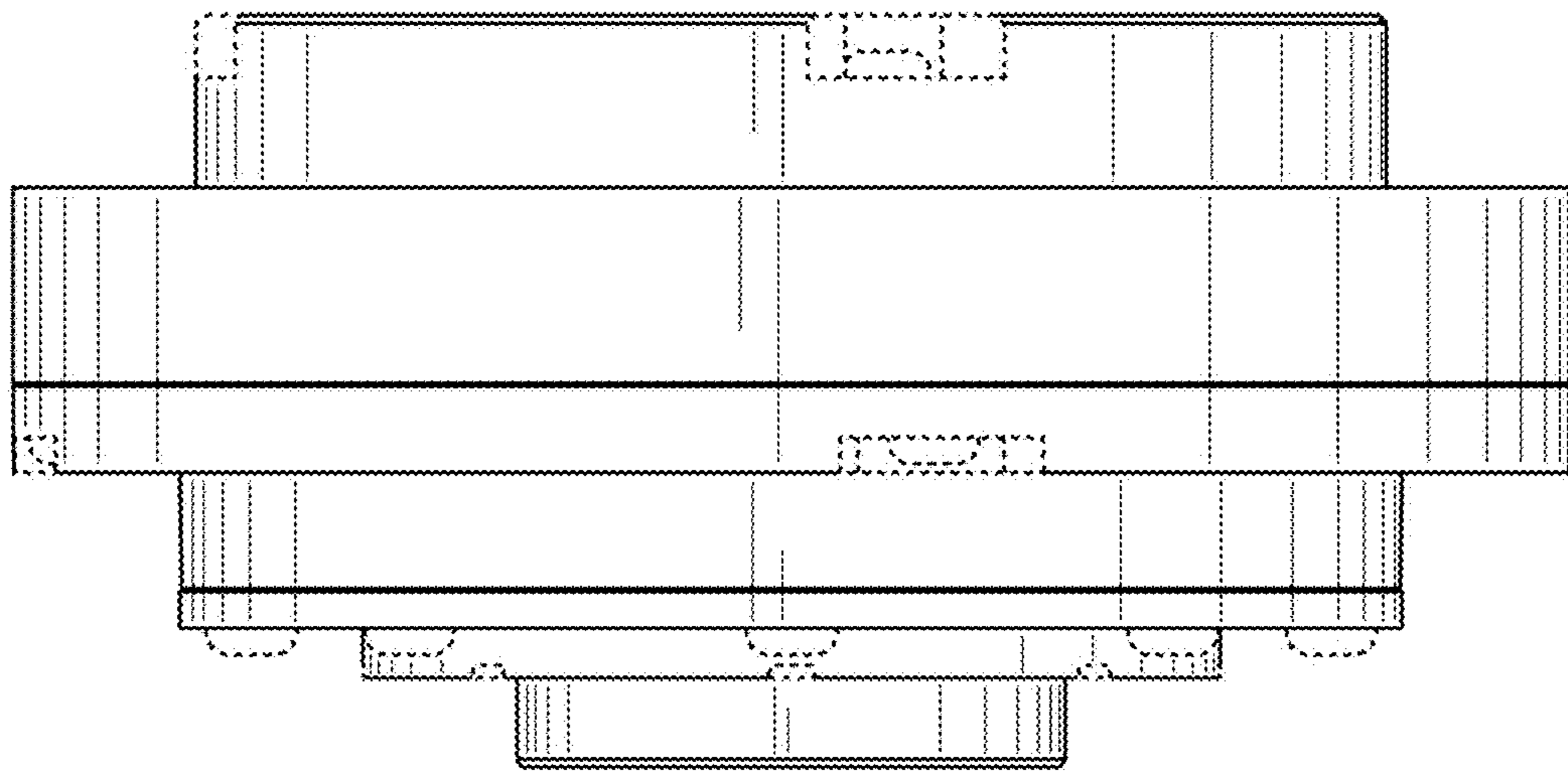




1.7



1.8



2.1



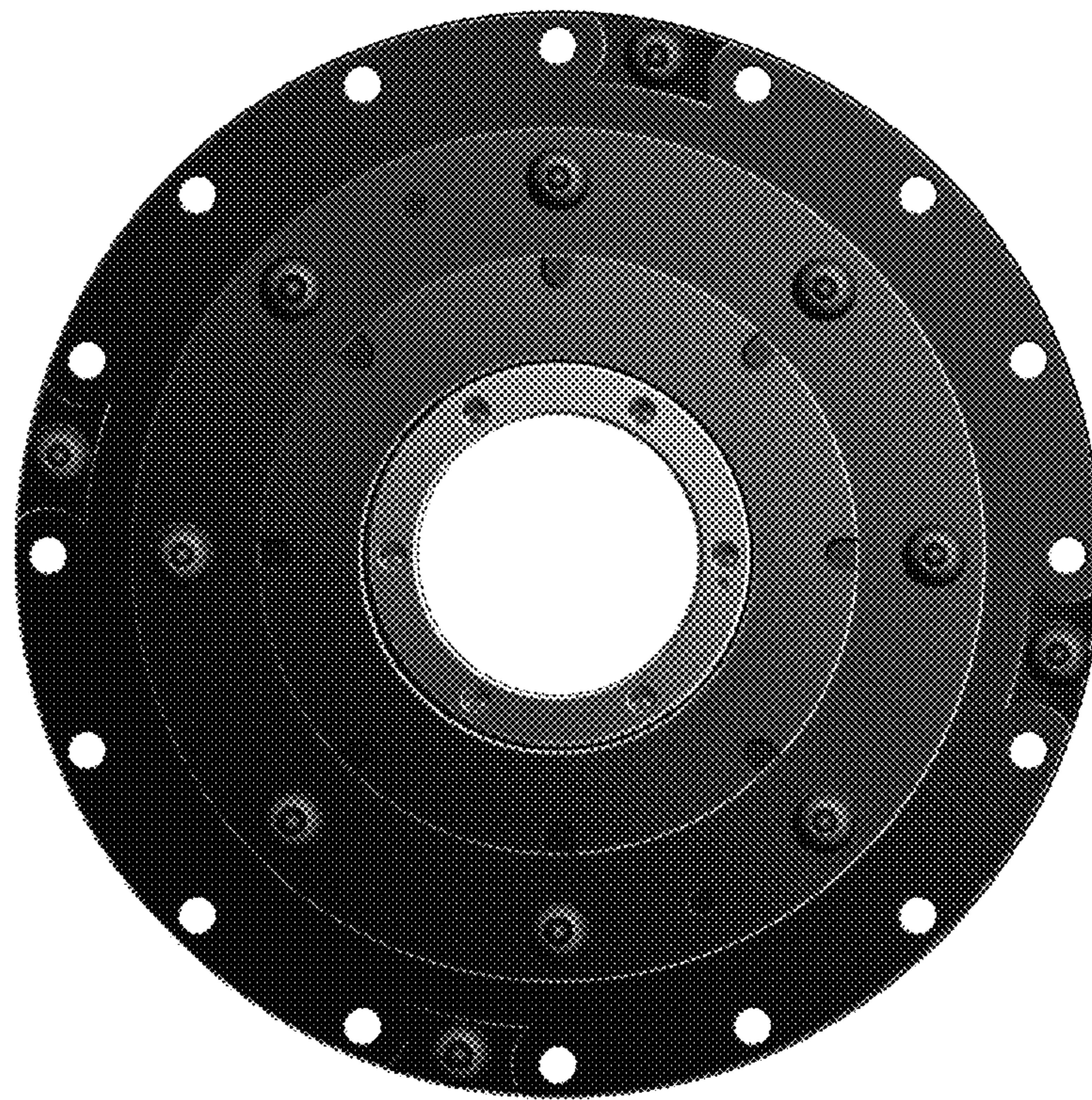
2.2



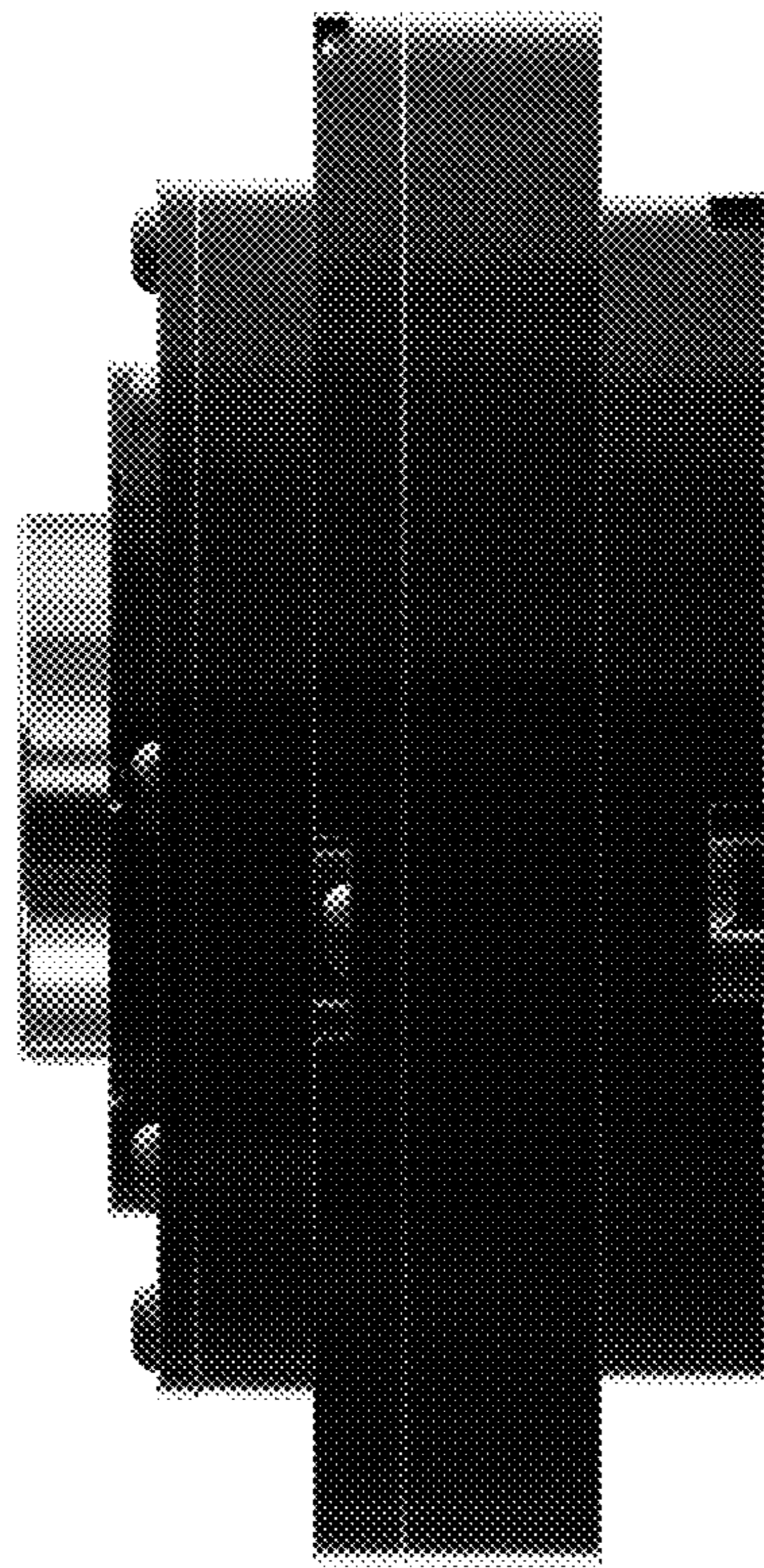
2.3



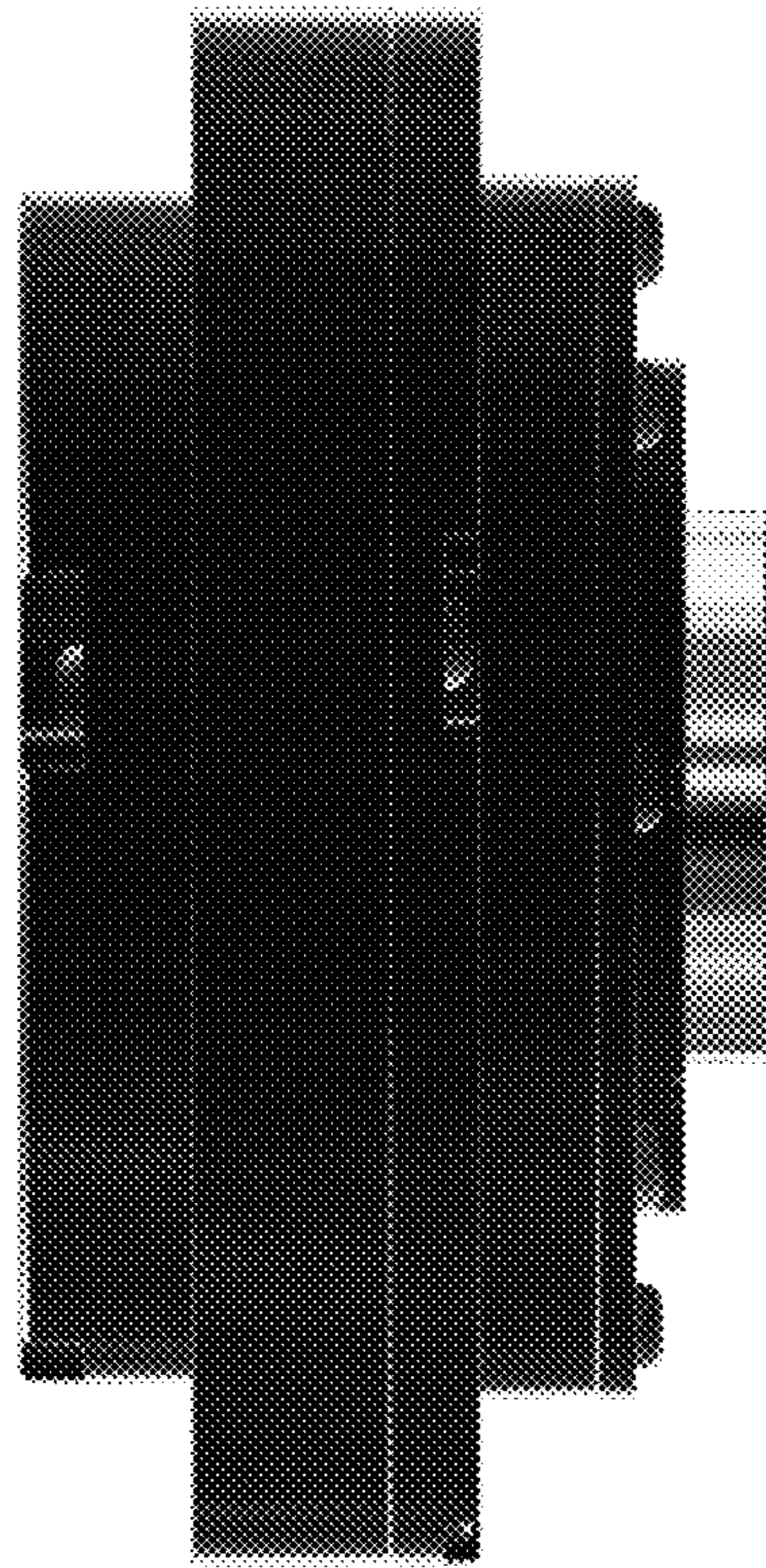
2.4



2.5

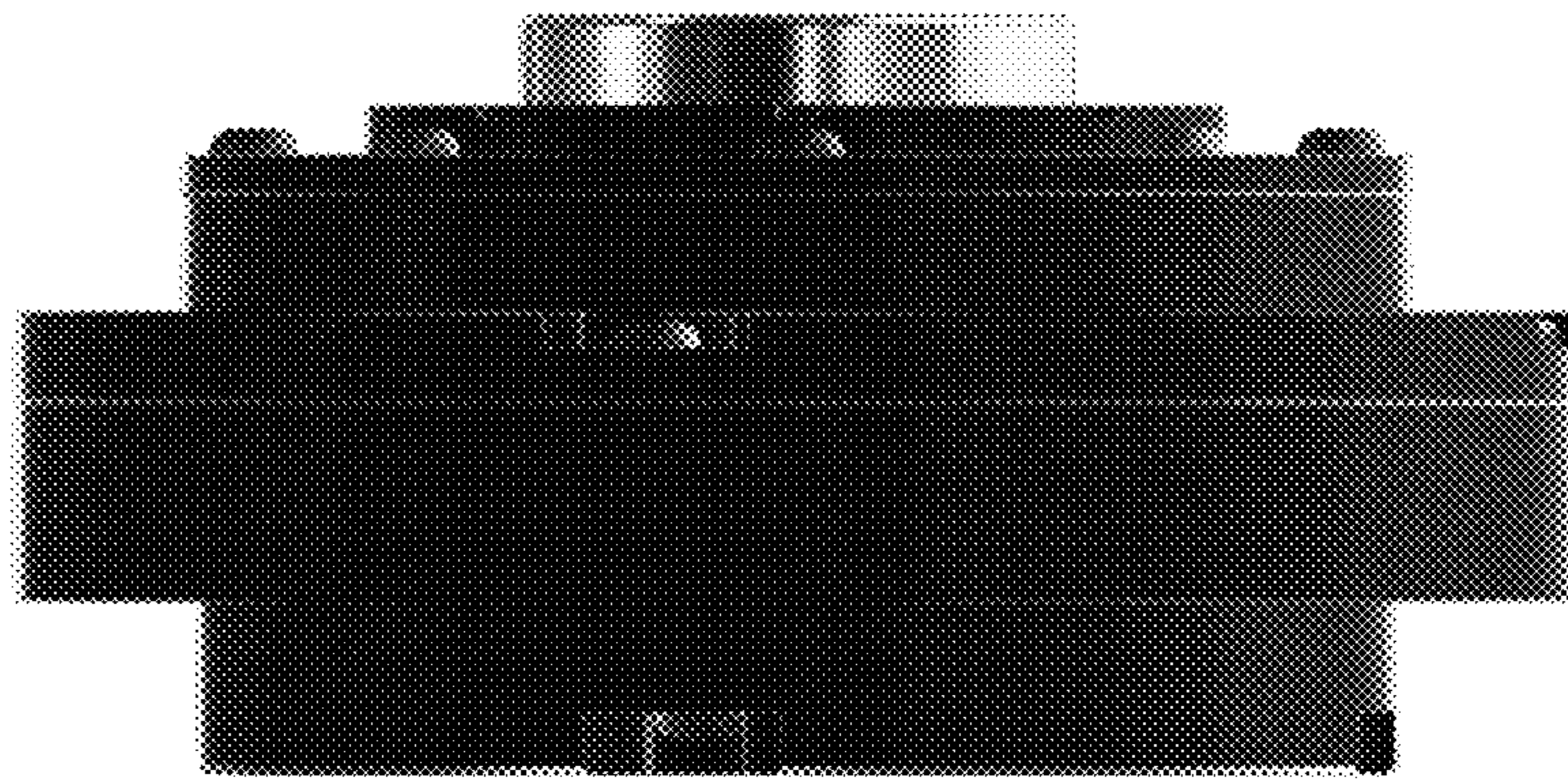


2.6





2.7



2.8

