



US00D956837S

(12) **United States Design Patent** (10) **Patent No.:** **US D956,837 S**  
**Dvorak et al.** (45) **Date of Patent:** **\*\* Jul. 5, 2022**

(54) **COVER PLATE**

(71) Applicant: **DANFOSS POWER SOLUTIONS INC.**, Ames, IA (US)

(72) Inventors: **Charlie Dvorak**, Nordborg (DK); **Wondimagegn Diress**, Nordborg (DK); **Pavol Balco**, Nordborg (DK); **Jeffrey C. Hansell**, Nordborg (DK)

(73) Assignee: **Danfoss Power Solutions Inc.**, Ames, IA (US)

(\*\*) Term: **15 Years**

(21) Appl. No.: **29/716,529**

(22) Filed: **Dec. 10, 2019**

**Related U.S. Application Data**

(63) Continuation of application No. 16/705,972, filed on Dec. 6, 2019.

(51) **LOC (13) Cl.** ..... **15-09**

(52) **U.S. Cl.**  
USPC ..... **D15/143**; D12/180; D8/354

(58) **Field of Classification Search**  
USPC ..... D12/14, 106, 114, 118, 122, 160, 161, D12/162, 179, 180, 207, 217, 400; D15/7, 138, 143; D8/354, 349  
CPC ..... F16D 65/128; F16D 65/12; F16D 65/123; F16D 65/127; F16D 65/186; F16D 65/853; F16D 2065/1328; F16D 25/0638; F04B 1/122; F04B 1/2085; F04B 53/16; F16C 19/386384; F16C 19/364; F16C 33/605; F16C 33/723; F16C 33/7813; F16C 33/7886; F16C 23/084; F16C 27/04; F16C 35/067; F16C 35/077; F16C 43/04; F16C 2326/02; F16C 2360/00; F16C 2360/42; F16C 25/083; F16C 19/383-388; F16B 21/10; H02K 5/15; H02K 5/16-165; H02K 5/173-1737; H02K 5/24

See application file for complete search history.

(56) **References Cited**

**U.S. PATENT DOCUMENTS**

2,577,319 A \* 12/1951 Feitl ..... F16B 21/20 411/521  
4,795,166 A \* 1/1989 Irmeler ..... F16L 23/18 277/609  
D367,023 S \* 2/1996 Benson ..... D15/5  
D397,070 S \* 8/1998 Adams, III ..... D12/180  
6,409,390 B1 \* 6/2002 Bouzakis ..... F16C 25/083 384/537  
D605,998 S \* 12/2009 McEwen ..... D12/207

(Continued)

**FOREIGN PATENT DOCUMENTS**

CN 106460938 A 2/2017

**OTHER PUBLICATIONS**

CN106460938A—English Translation.

*Primary Examiner* — Mark A Goodwin

(74) *Attorney, Agent, or Firm* — Zarley Law Firm P.L.C.

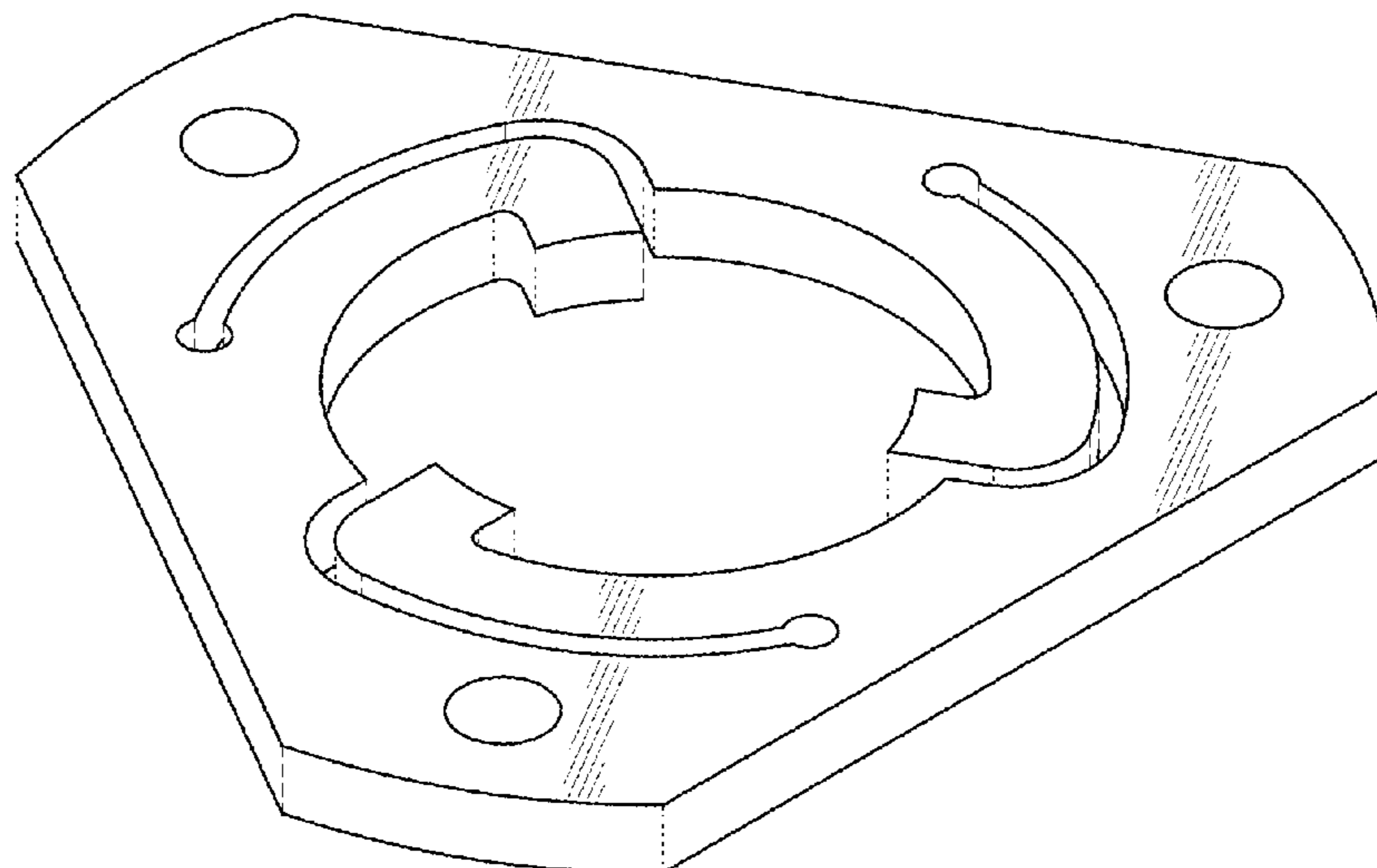
(57) **CLAIM**

The ornamental design for a cover plate, as shown and described.

**DESCRIPTION**

FIG. 1 is a top perspective view of a cover plate embodying our new design;  
FIG. 2 is a front elevation view thereof;  
FIG. 3 is a rear elevation view thereof;  
FIG. 4 is a right side elevation view thereof;  
FIG. 5 is a left side elevation view thereof;  
FIG. 6 is a top plan view thereof; and,  
FIG. 7 is a bottom plan view thereof.  
The broken lines in the drawings illustrate portions of the cover plate that form no part of the claimed design.

**1 Claim, 7 Drawing Sheets**



(56)

**References Cited**

U.S. PATENT DOCUMENTS

7,670,079 B2 \* 3/2010 Snadden ..... F16F 1/025  
 403/372  
 D651,062 S \* 12/2011 Wackwitz ..... D8/70  
 D747,245 S \* 1/2016 Nosworthy ..... D12/180  
 D765,548 S \* 9/2016 Manchik ..... D12/106  
 9,599,164 B1 \* 3/2017 Rode ..... F16C 19/548  
 D782,945 S \* 4/2017 Stuckey ..... D12/180  
 D790,323 S \* 6/2017 Fuglsang ..... D8/354  
 9,719,513 B2 \* 8/2017 Geue ..... F04C 29/065  
 9,915,332 B1 \* 3/2018 Jung ..... F16D 25/0638  
 D814,267 S \* 4/2018 Verbowski ..... D8/354  
 10,001,174 B2 \* 6/2018 Ishibashi ..... F16C 35/067  
 D833,347 S \* 11/2018 Lewis ..... D12/180  
 D839,155 S \* 1/2019 McDougall ..... D12/180  
 D845,197 S \* 4/2019 Wang ..... D12/180  
 D911,881 S \* 3/2021 Lindloff ..... B62J 25/00  
 D12/126  
 D934,141 S \* 10/2021 Dvorak ..... F04B 1/2085  
 D12/180  
 D934,764 S \* 11/2021 Nochez ..... D12/180  
 2009/0211856 A1 \* 8/2009 Sollenskog ..... F16D 65/12  
 188/68  
 2017/0114829 A1 \* 4/2017 Ishibashi ..... F16C 19/06

\* cited by examiner

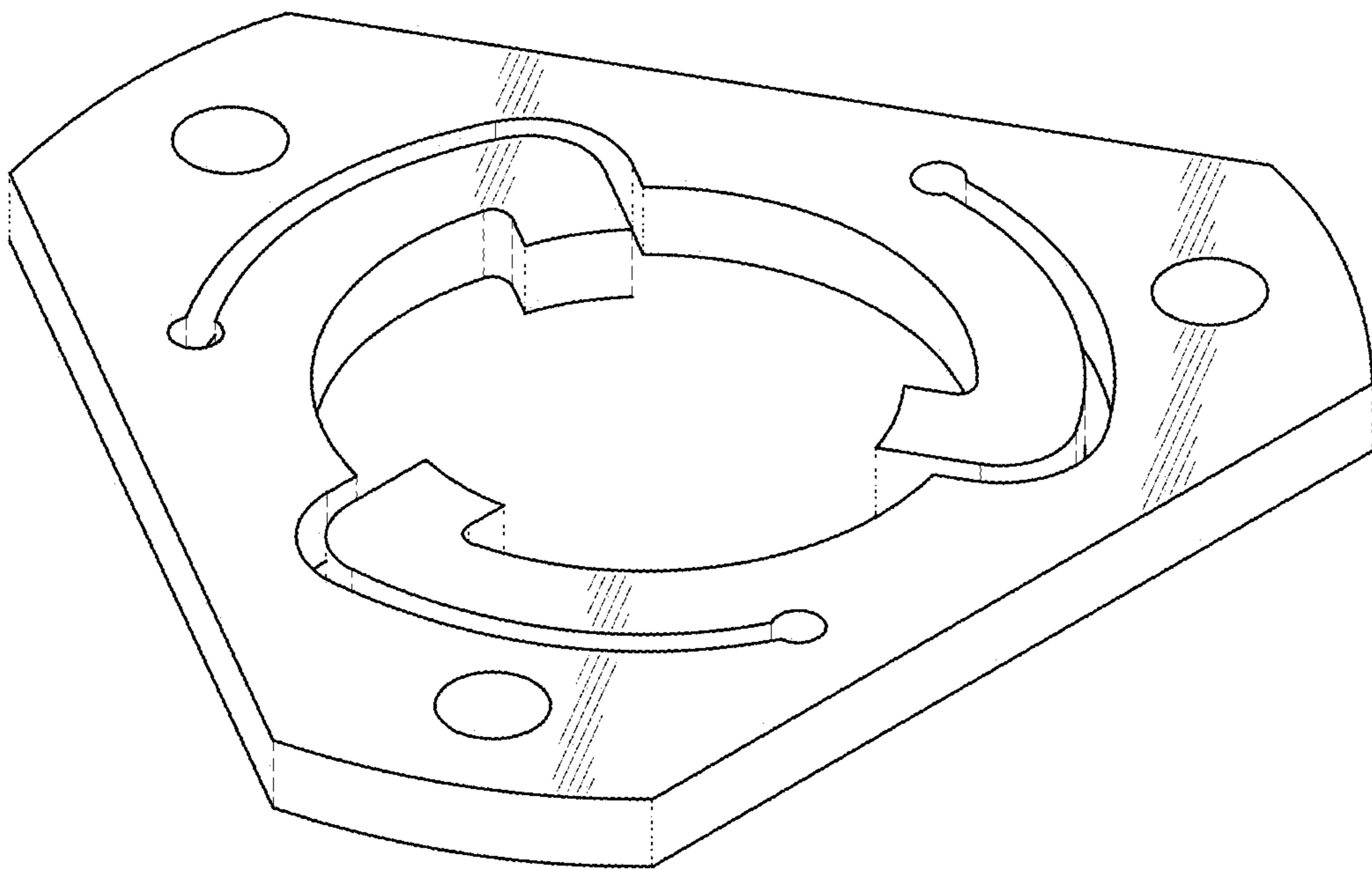


FIG. 1



FIG. 2



FIG. 3



FIG. 4



FIG. 5

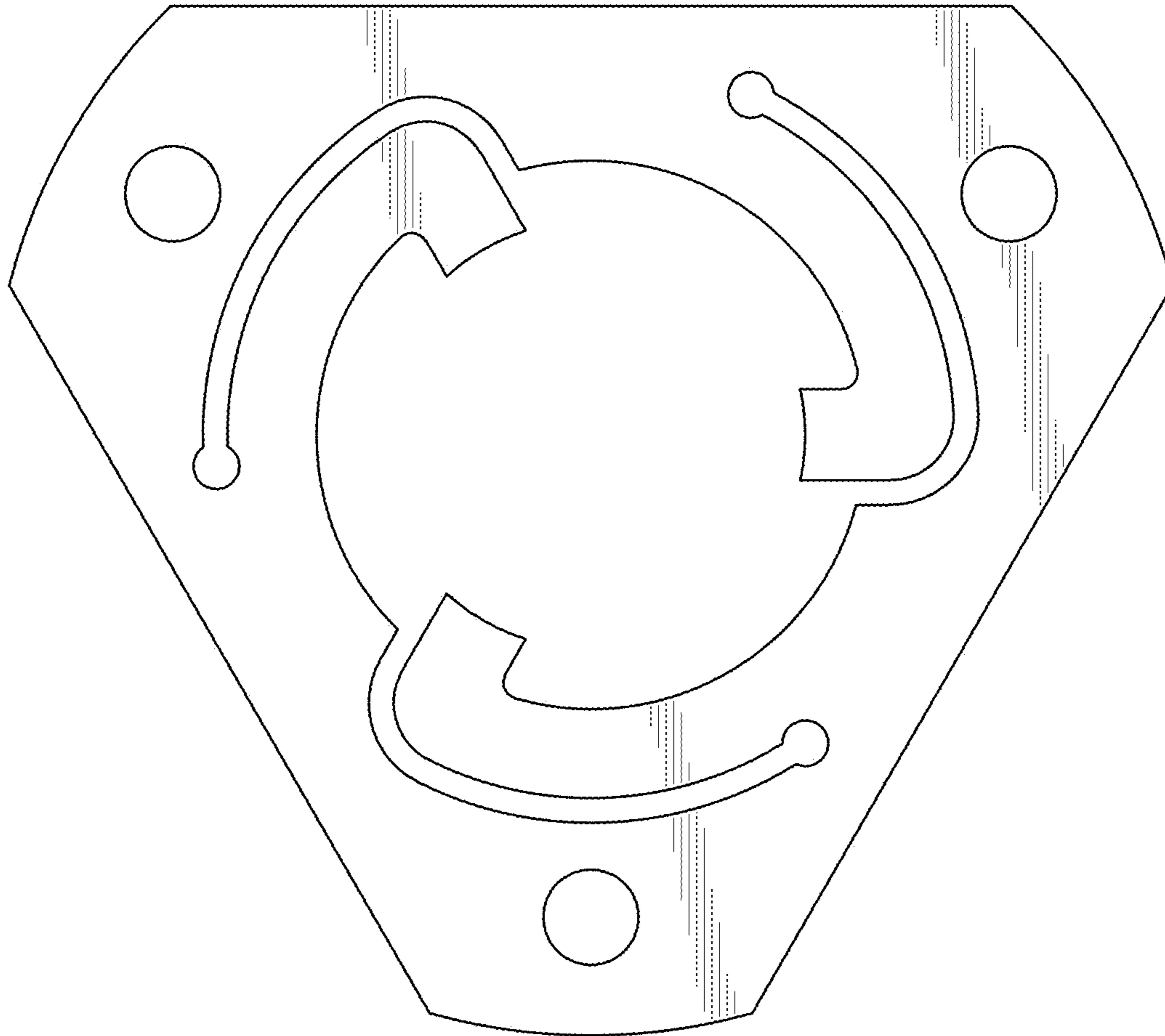


FIG. 6



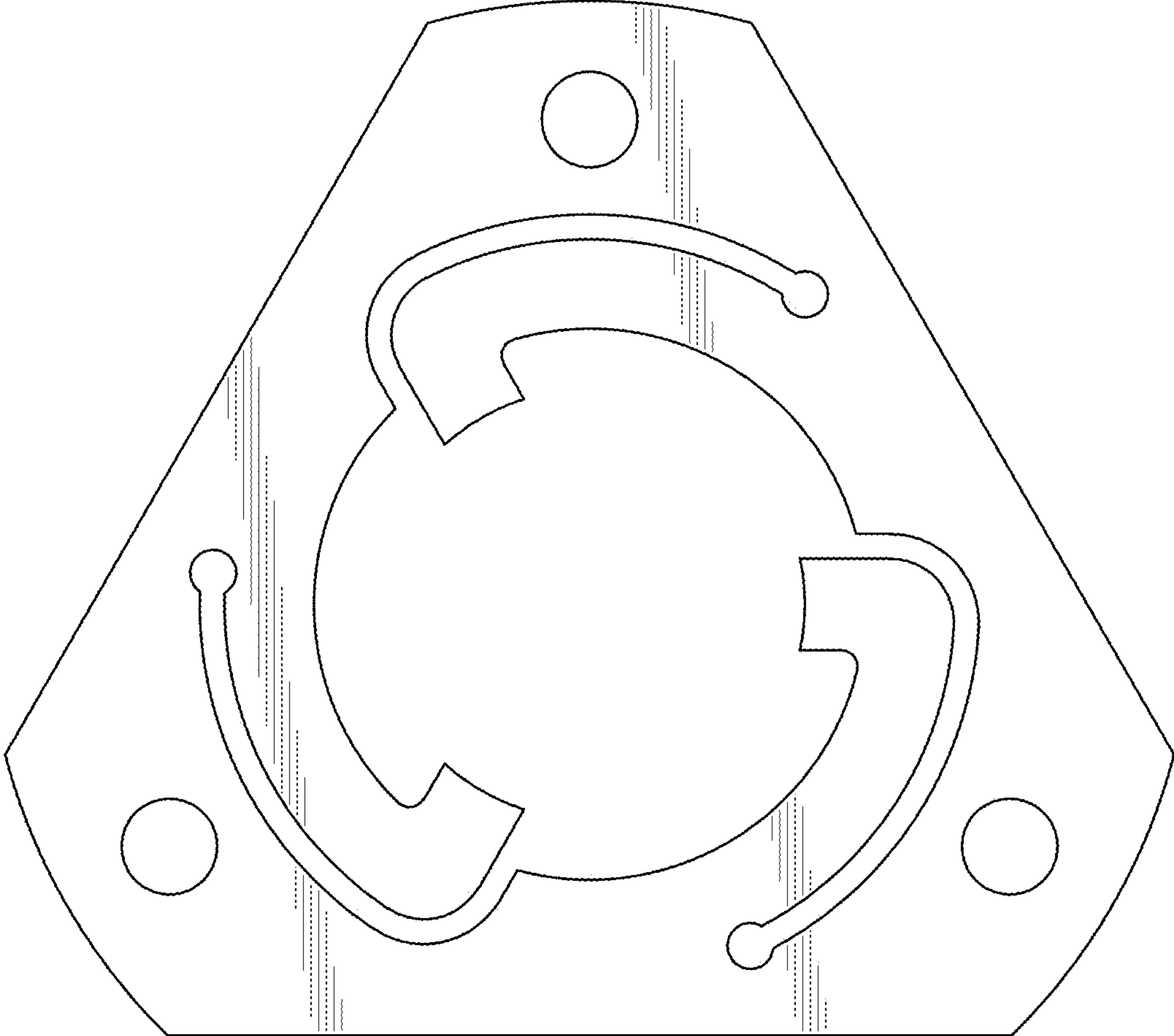


FIG. 7