



US00D956836S

(12) **United States Design Patent** (10) **Patent No.:** **US D956,836 S**
Yu (45) **Date of Patent:** **** Jul. 5, 2022**

(54) **WOODWORKING SHARPENING JIG**

(71) Applicant: **Hsi-Hui Yu**, Taichung (TW)

(72) Inventor: **Hsi-Hui Yu**, Taichung (TW)

(**) Term: **15 Years**

(21) Appl. No.: **29/757,899**

(22) Filed: **Nov. 10, 2020**

(51) **LOC (13) Cl.** **15-09**

(52) **U.S. Cl.**
USPC **D15/140**; D15/139

(58) **Field of Classification Search**
USPC D8/62–63, 70–72, 90–91, 394–398;
D15/138–141
CPC B24B 41/066; B24B 3/38; B24B 3/40;
B24B 3/34; B24B 3/36; B24B 3/54;
B24B 3/247; B24B 27/02
See application file for complete search history.

(56) **References Cited**

U.S. PATENT DOCUMENTS

D151,792 S *	11/1948	Smith	269/104
D160,734 S *	10/1950	Polokosnik	408/124
3,011,366 A *	12/1961	Sandven	B24B 3/36
				451/367
3,730,023 A *	5/1973	Otto	B24D 15/06
				76/82
3,950,899 A *	4/1976	Gilbert	B24B 3/38
				D8/91
D363,202 S *	10/1995	Ross	D8/93
D363,296 S *	10/1995	Madill	D15/140
D435,771 S *	1/2001	Miller	D8/72
6,254,455 B1 *	7/2001	Irvine	B24B 3/40
				451/376
D481,604 S *	11/2003	Woodruff	D8/71
D503,415 S *	3/2005	Dembicks	D15/140

(Continued)

Primary Examiner — Nathaniel D. Buckner
(74) *Attorney, Agent, or Firm* — Che-Yang Chen; Law Office of Michael Chen

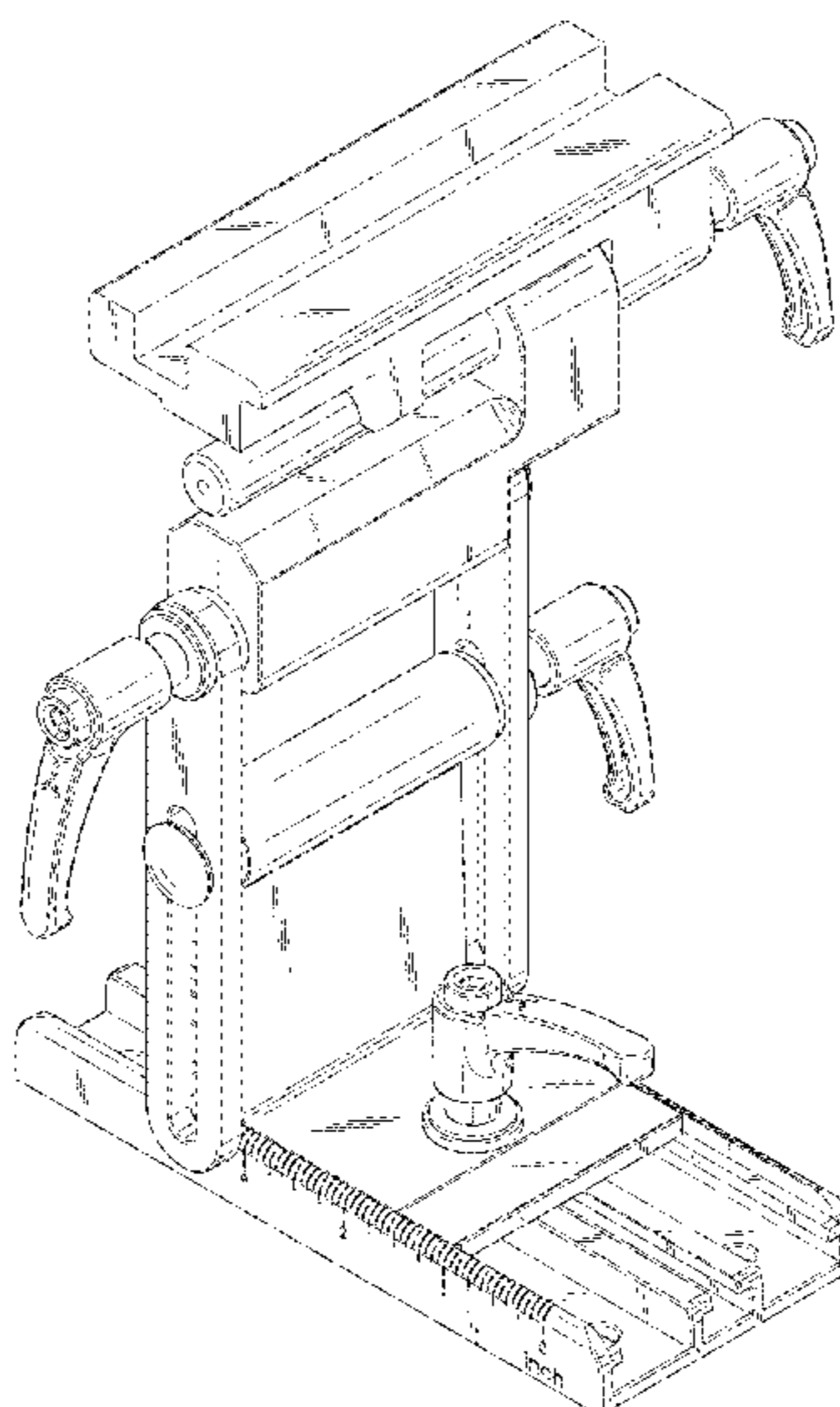
(57) **CLAIM**

The ornamental design for a woodworking sharpening jig, as shown and described.

DESCRIPTION

FIG. 1 is a perspective view of a woodworking sharpening jig showing my present design;
 FIG. 2 is a front view thereof;
 FIG. 3 is a rear view thereof;
 FIG. 4 is a left side view thereof;
 FIG. 5 is a right side view thereof;
 FIG. 6 is a top view thereof;
 FIG. 7 is a bottom view thereof;
 FIG. 8 is a right reference view of the present design, showing a change in the height of the woodworking sharpening jig;
 FIG. 9 is a right reference view of the present design, showing that a first joint of the woodworking sharpening jig is deflected forward;
 FIG. 10 is a right reference view of the present design, showing that the first joint of the woodworking sharpening jig is deflected backward;
 FIG. 11 is a right reference view of the present design, showing that a second joint of the woodworking sharpening jig is deflected forward;
 FIG. 12 is a right reference view of the present design, showing that the second joint of the woodworking sharpening jig is deflected backward;
 FIG. 13 is a right reference view of the present design, showing that a third joint of the woodworking sharpening jig is deflected forward;
 FIG. 14 is a right reference view of the present design, showing that the third joint of the woodworking sharpening jig is deflected backward; and,
 FIG. 15 is a right reference view of the present design, showing a transverse displacement of the woodworking sharpening jig.

1 Claim, 15 Drawing Sheets



(56)

References Cited

U.S. PATENT DOCUMENTS

7,281,969 B2 * 10/2007 Naples B24B 3/38
451/193
7,387,562 B1 * 6/2008 Blum B24D 15/08
451/380
D755,268 S * 5/2016 Parrot D15/199
D778,135 S * 2/2017 Blank D8/72

* cited by examiner

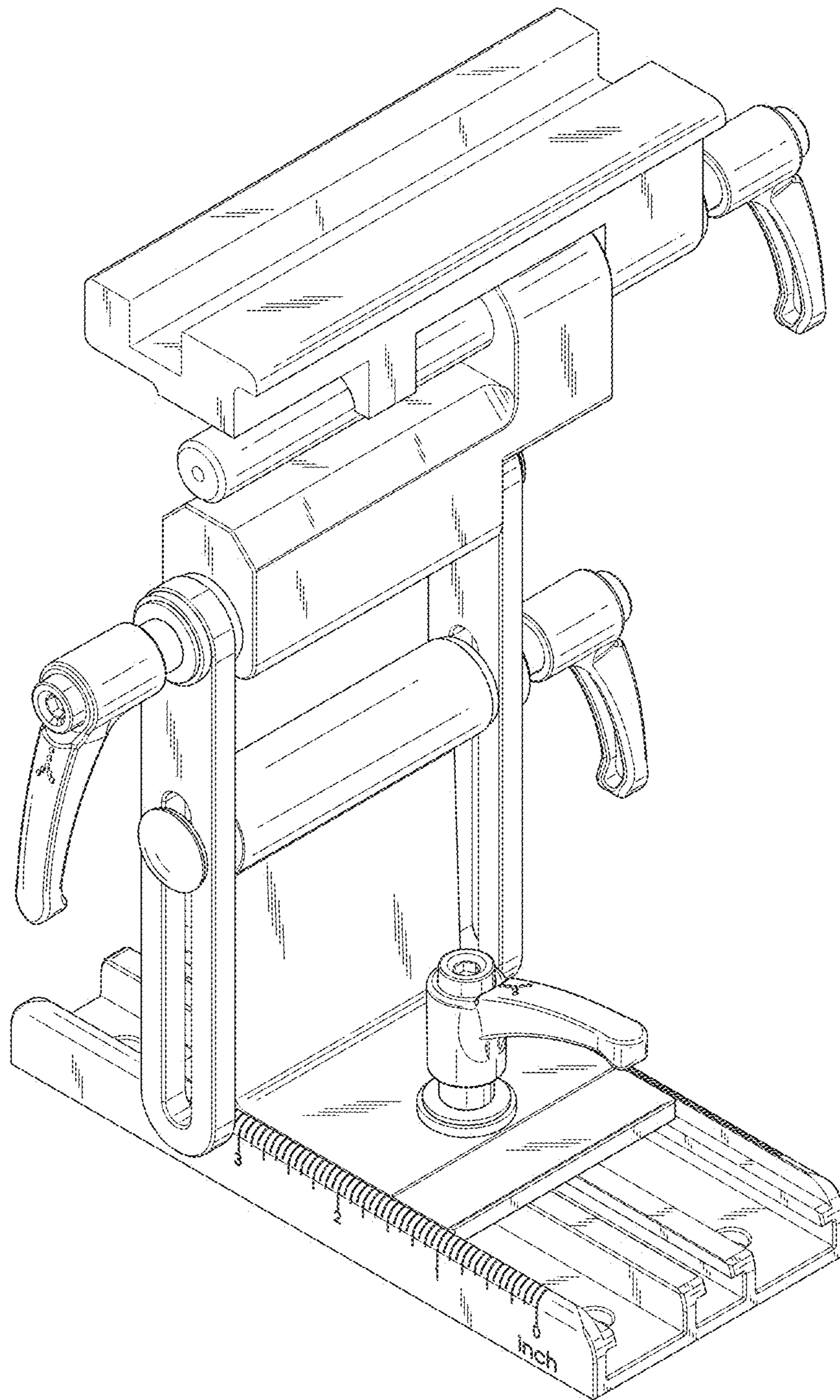


FIG. 1

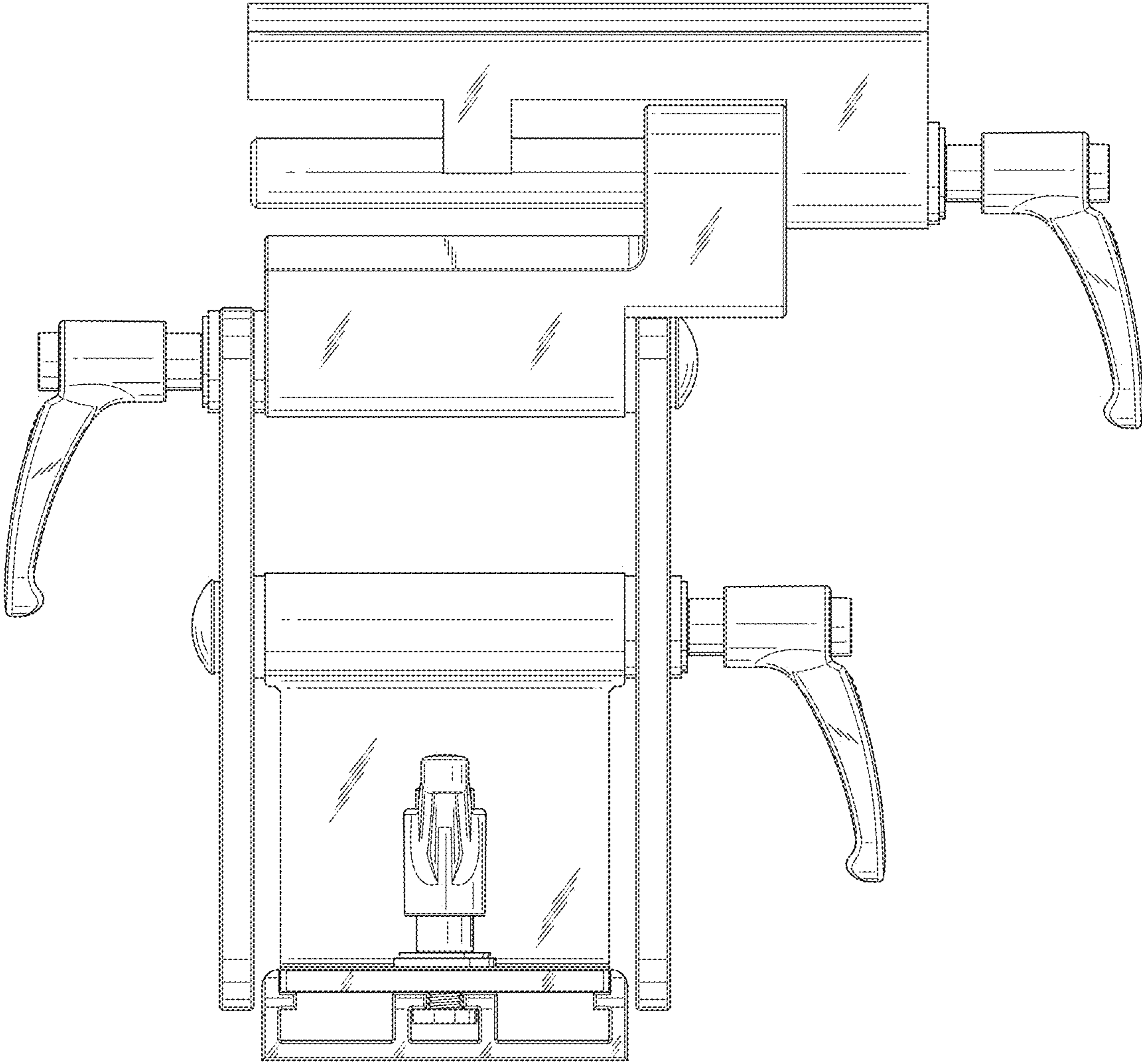


FIG. 2

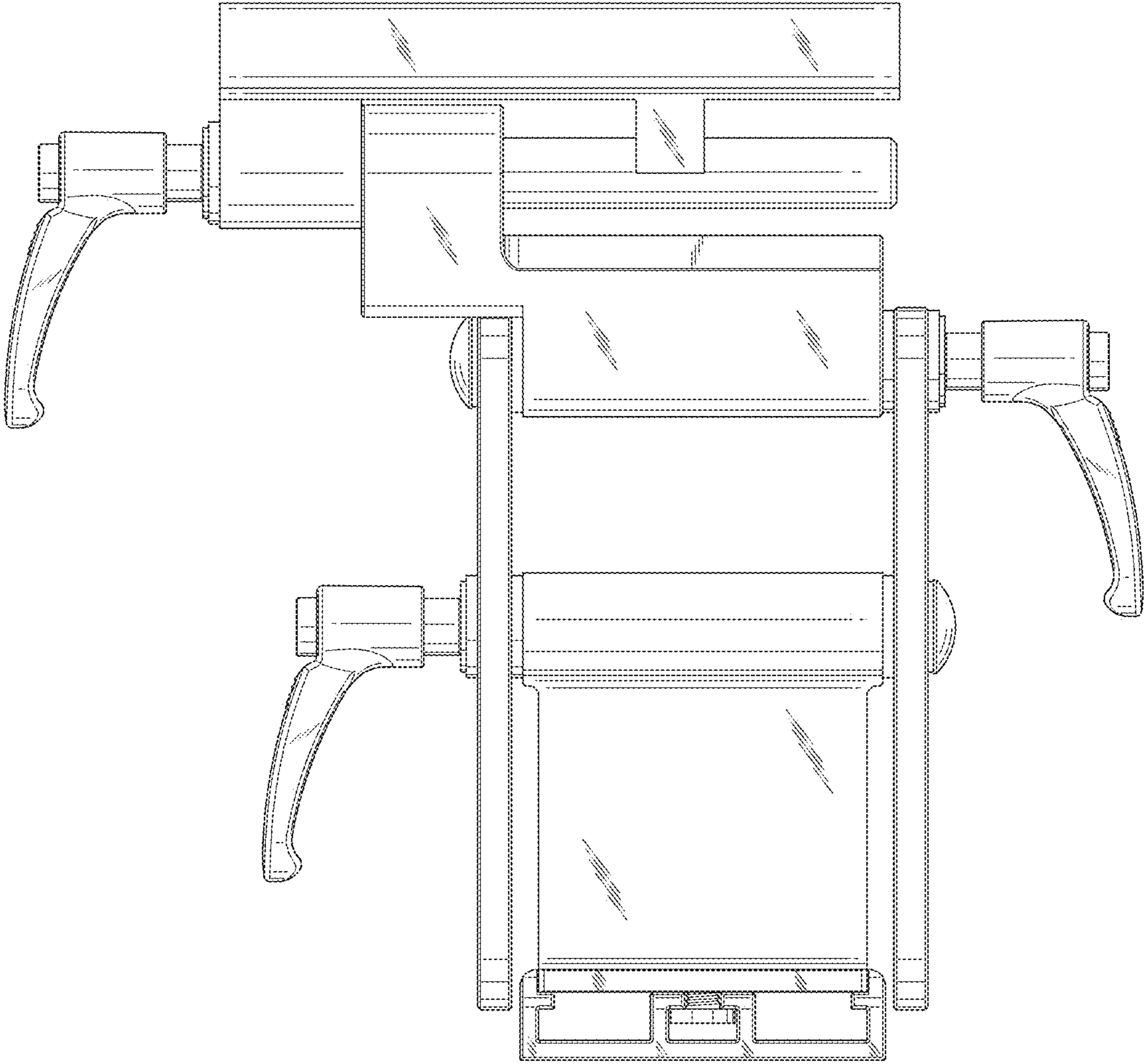


FIG. 3

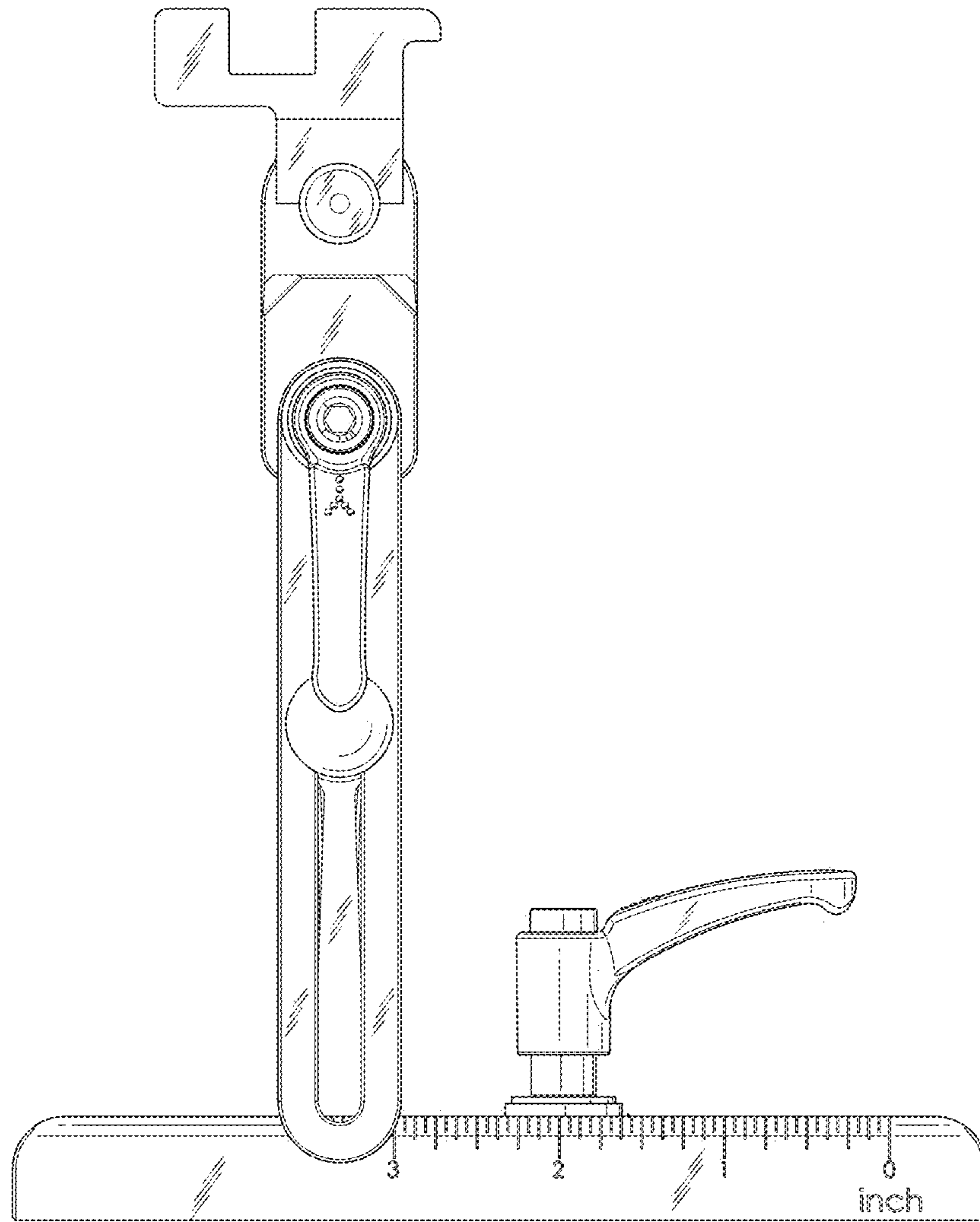


FIG. 4

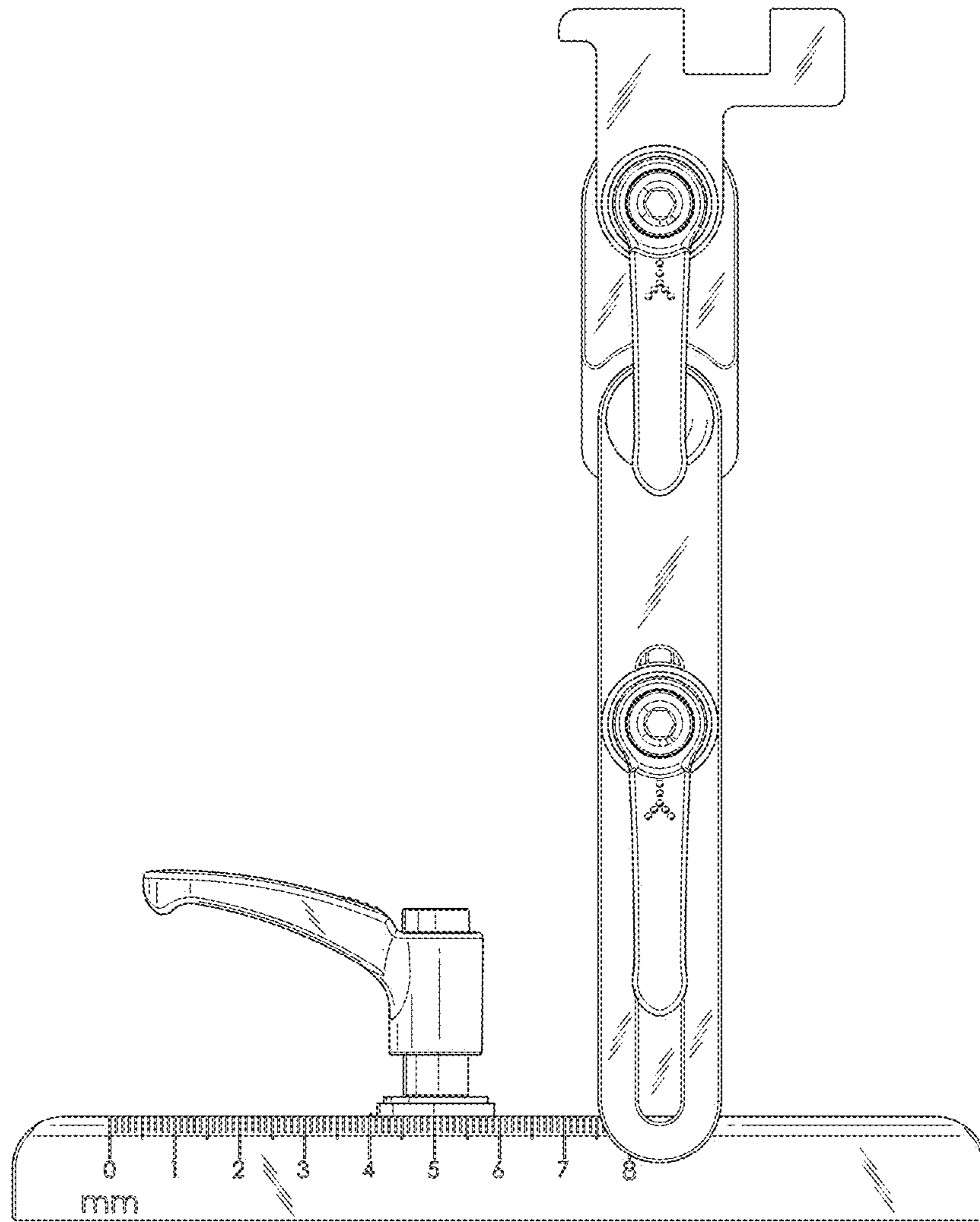


FIG. 5

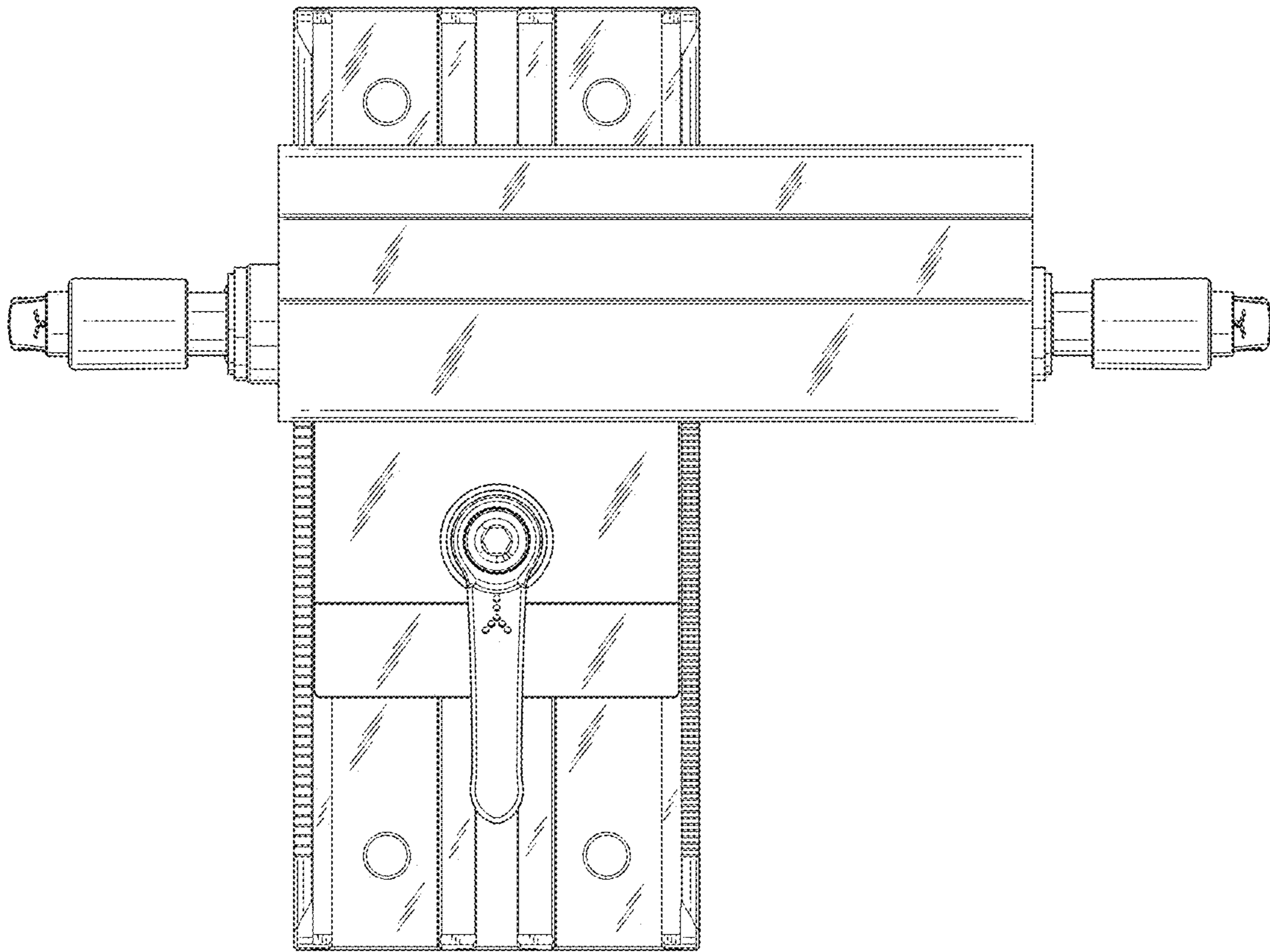


FIG. 6

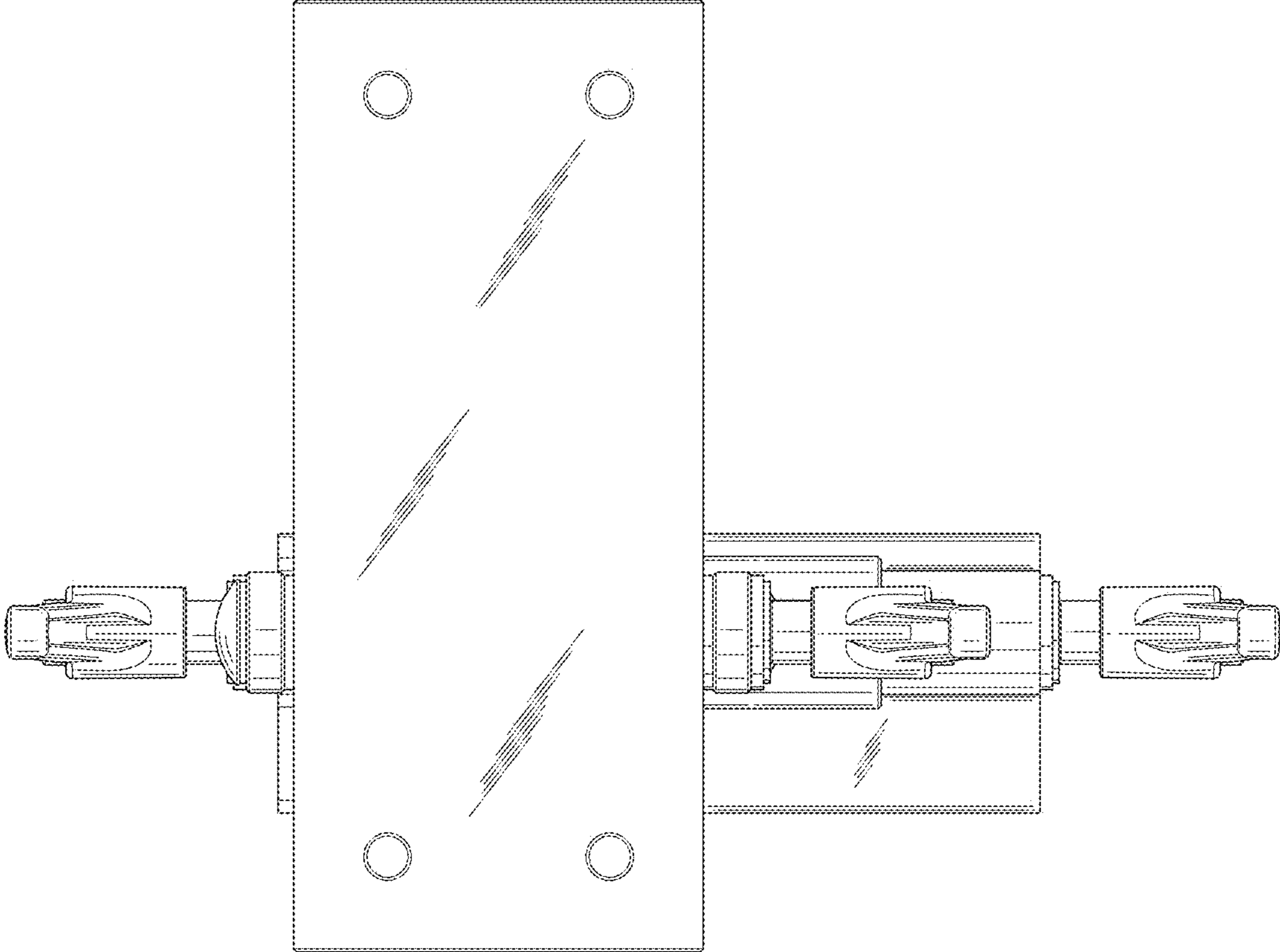


FIG. 7

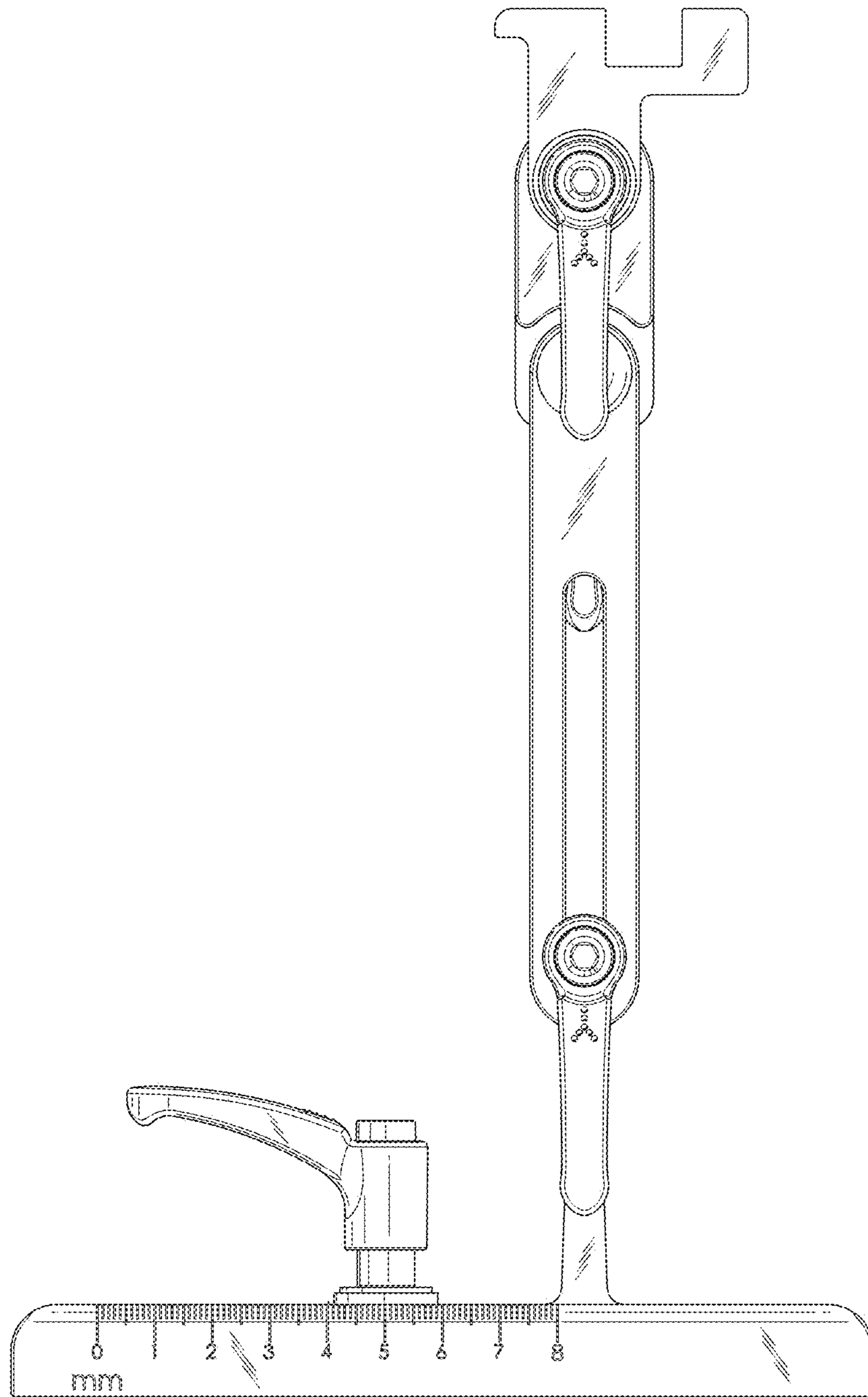


FIG. 8

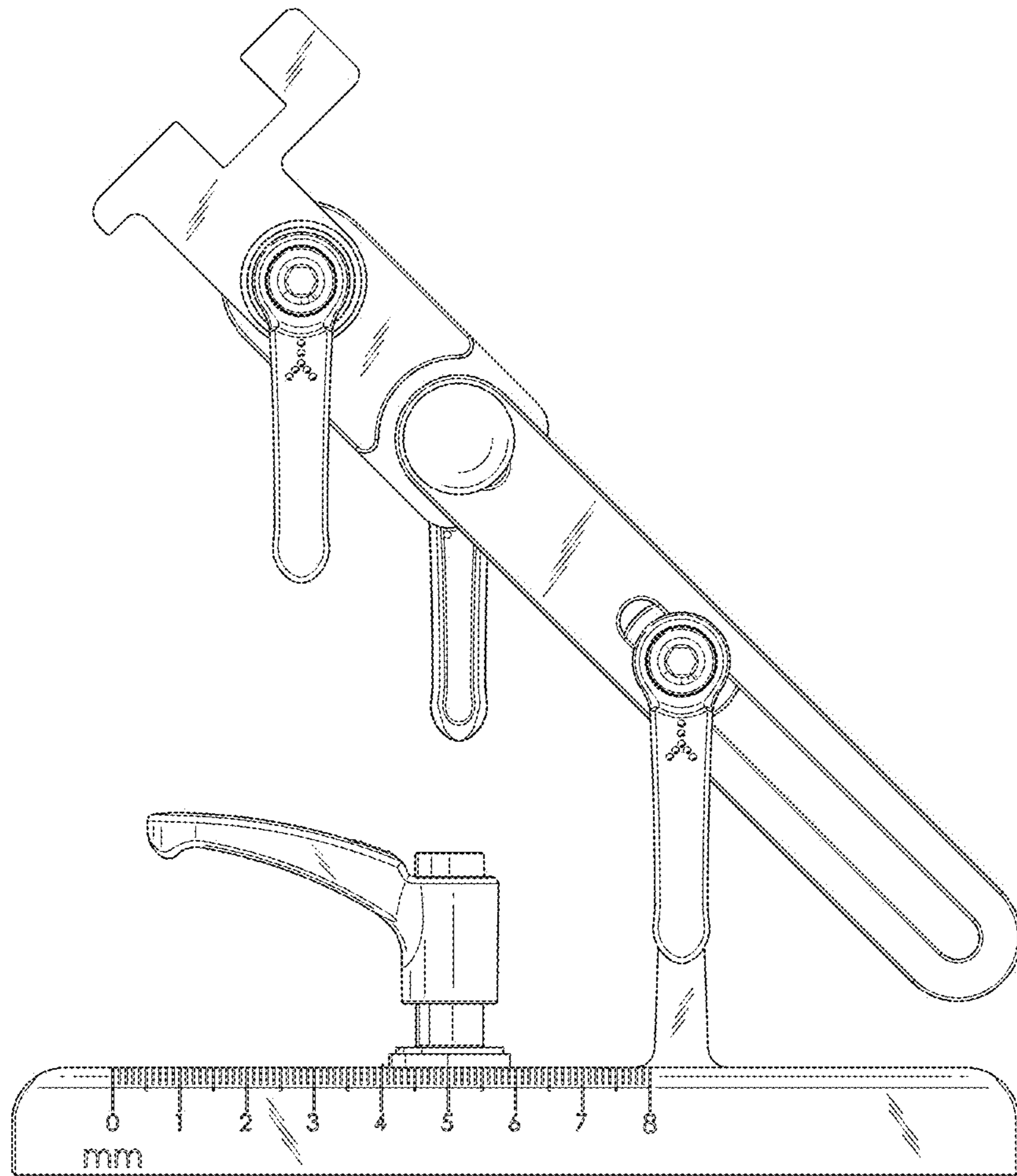


FIG. 9

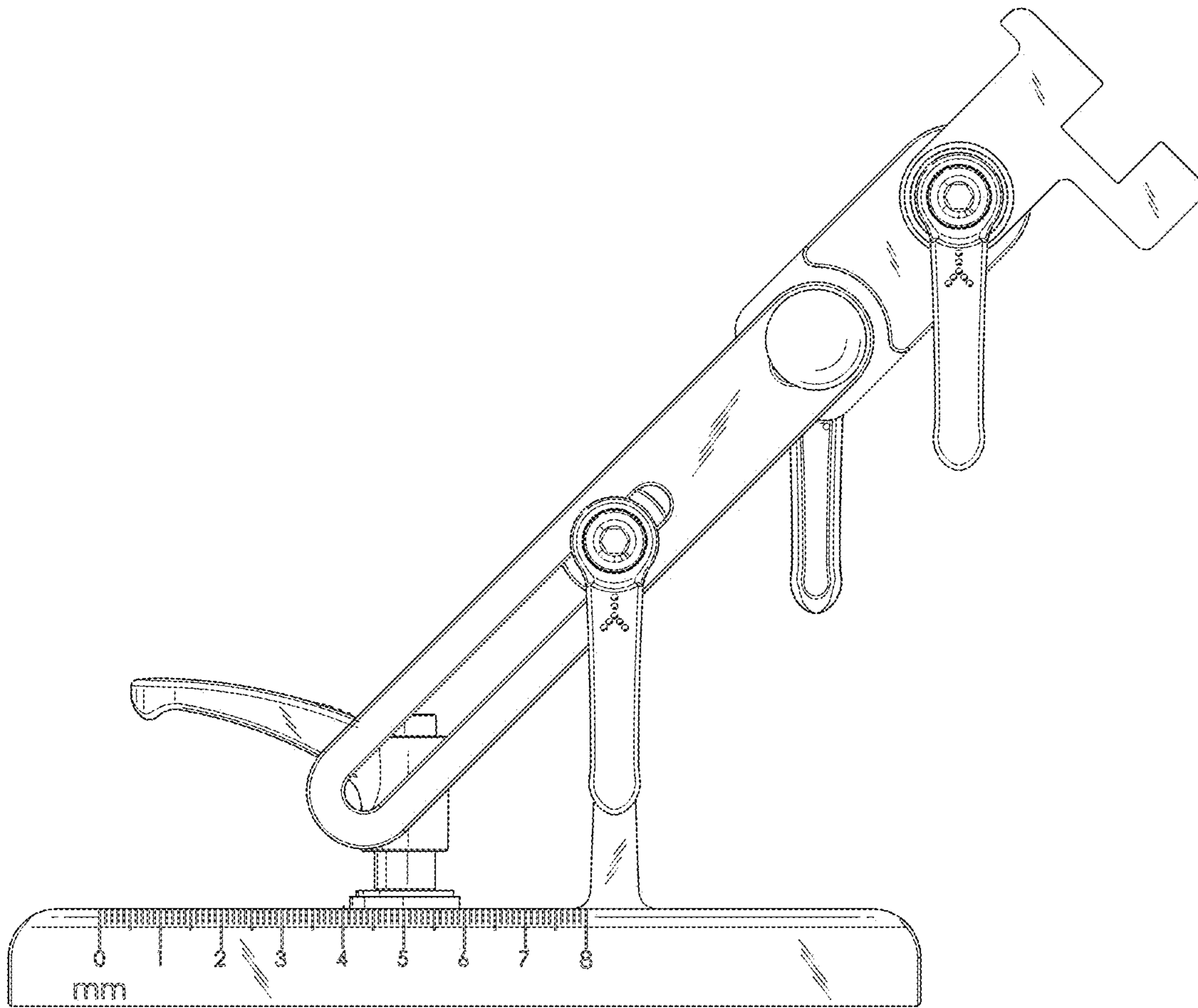


FIG. 10

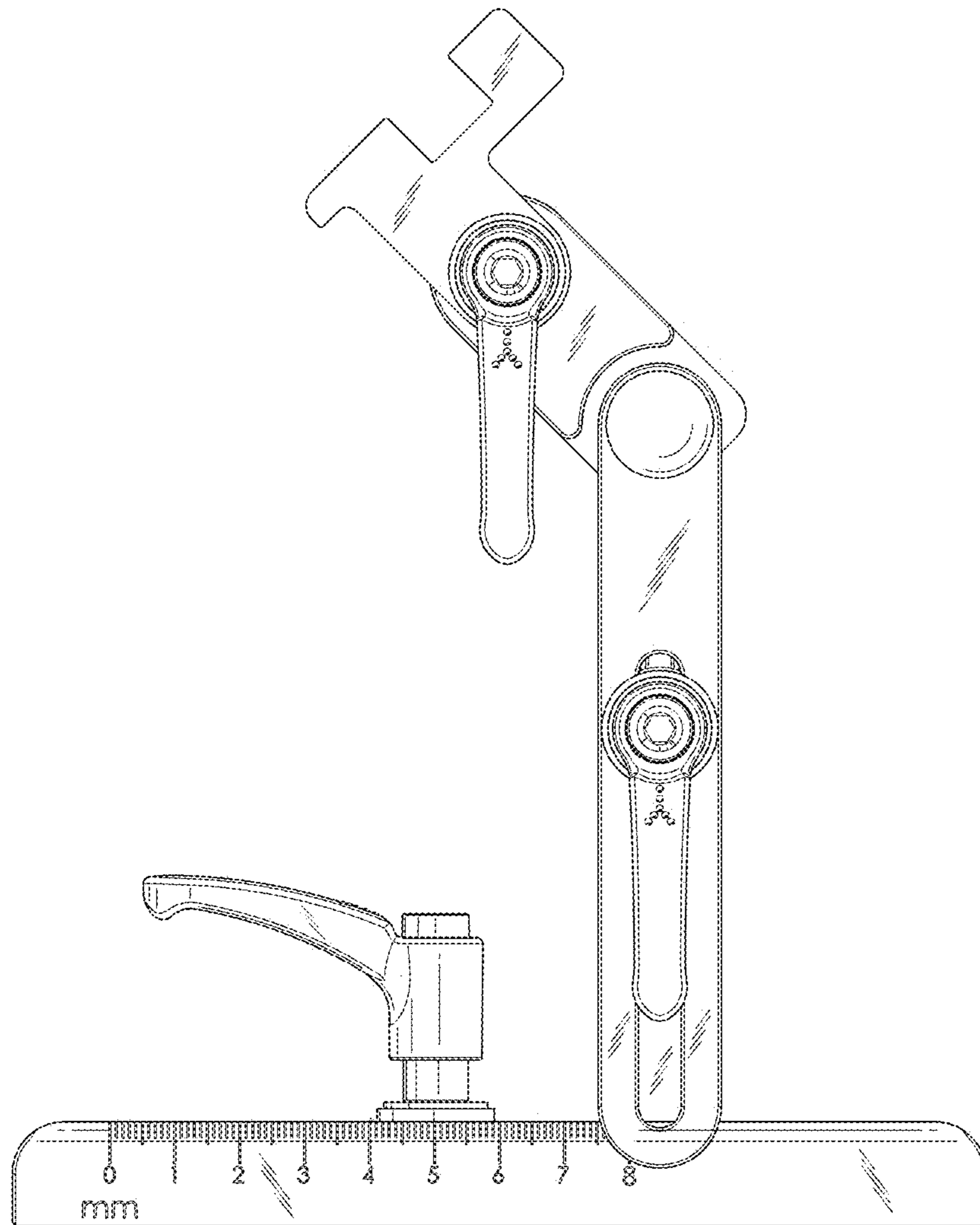


FIG. 11

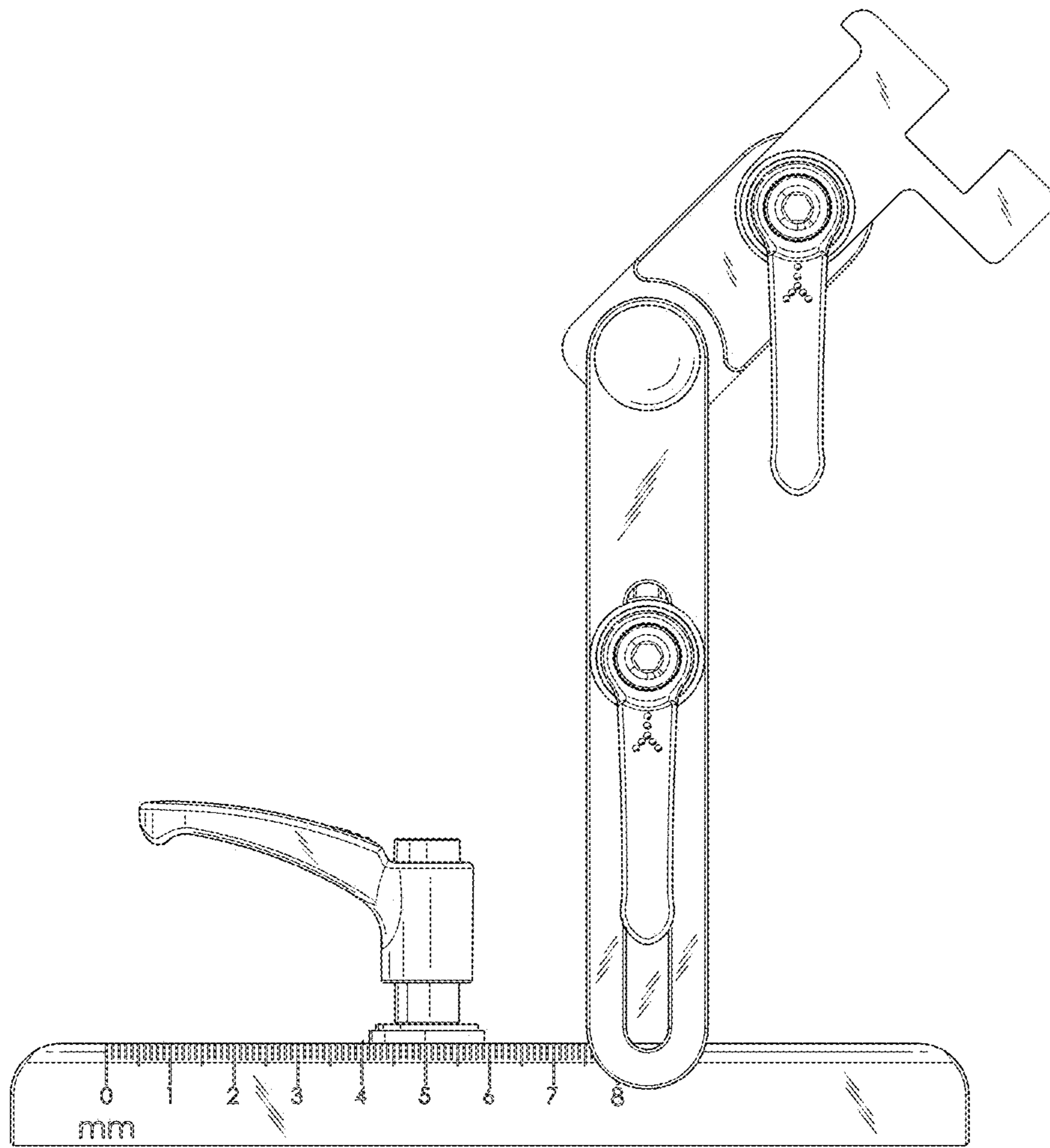


FIG. 12

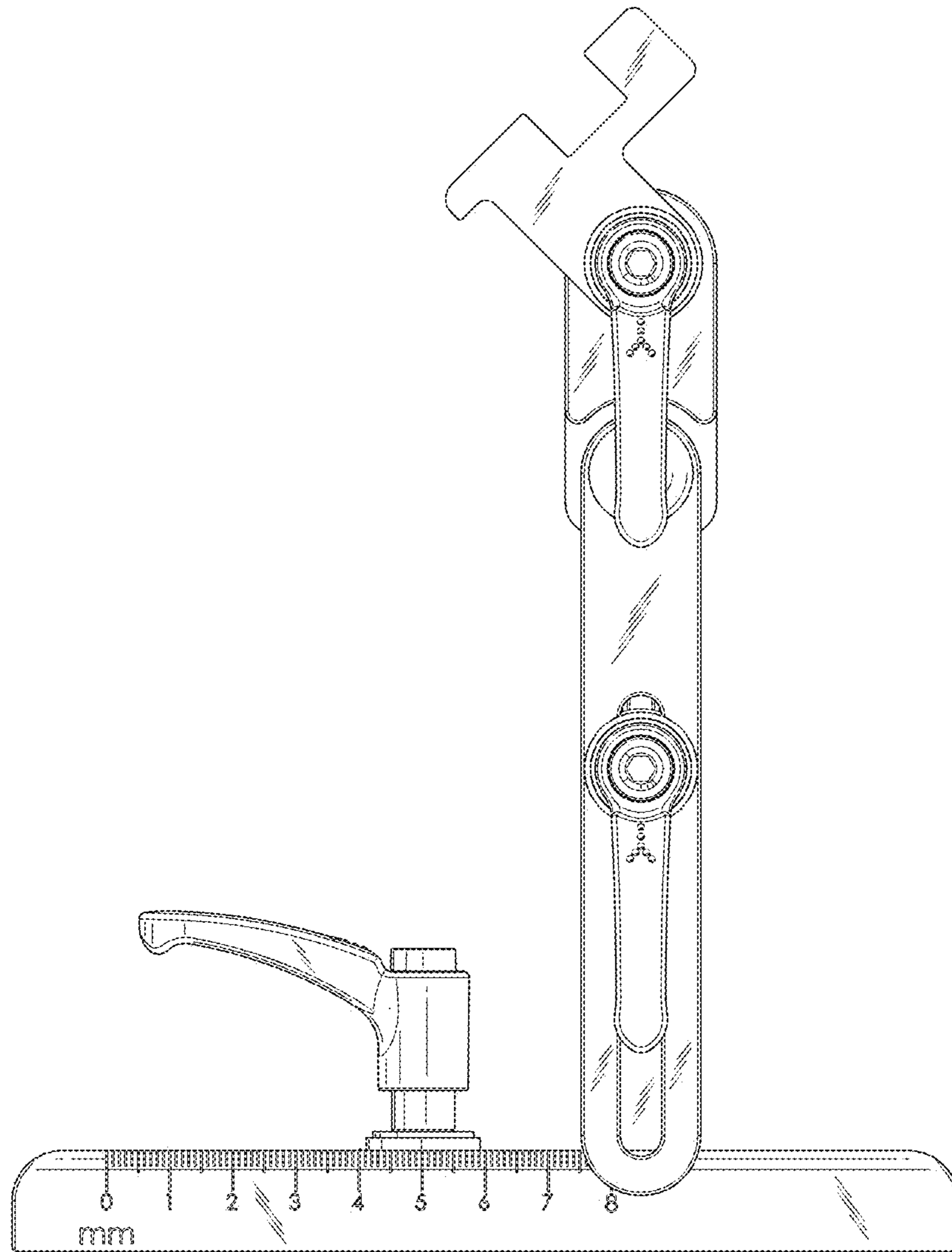


FIG. 13

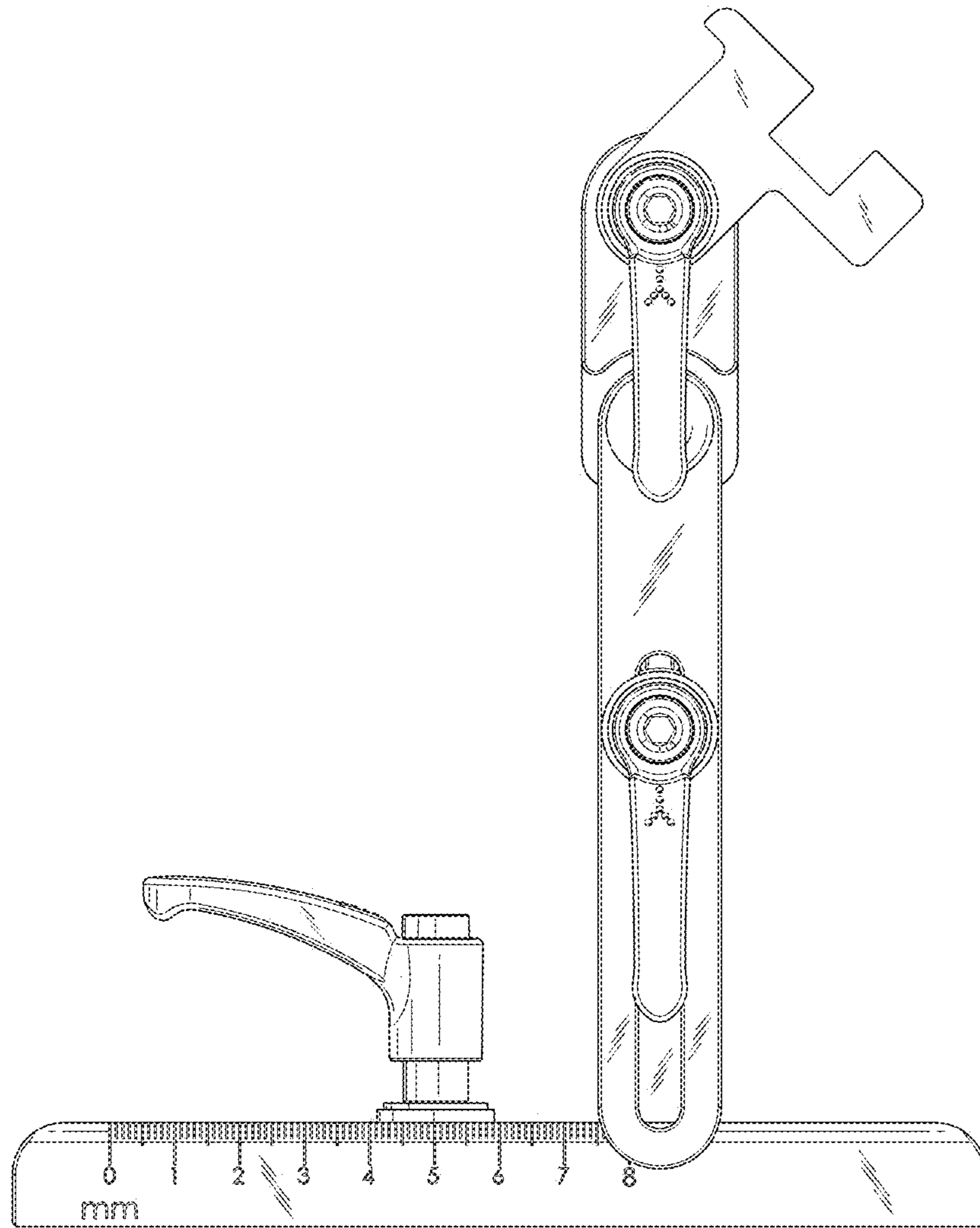


FIG. 14

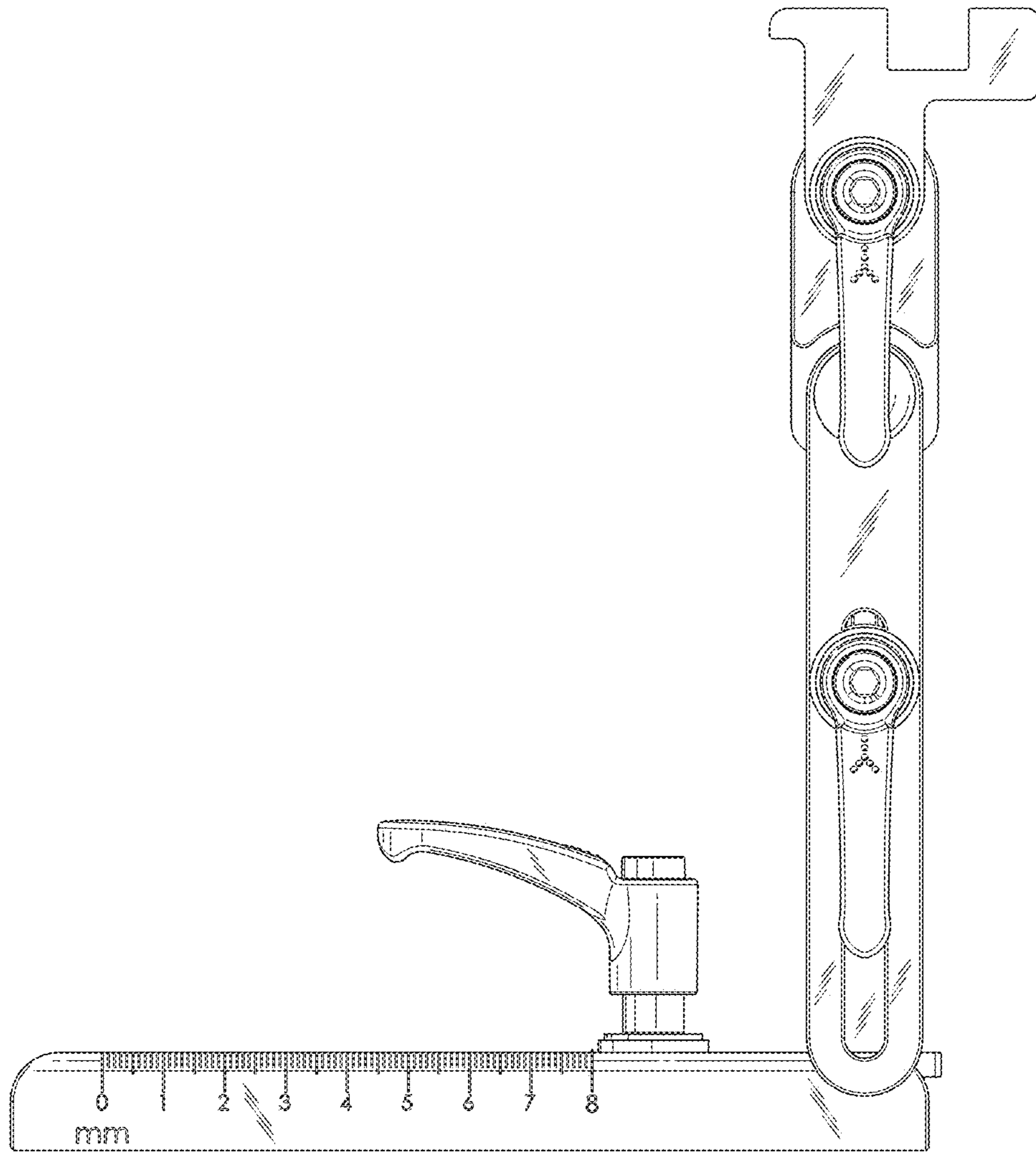


FIG. 15