



US00D956835S

(12) **United States Design Patent**
Kim et al.

(10) **Patent No.:** **US D956,835 S**
(45) **Date of Patent:** **** Jul. 5, 2022**

(54) **CUTTING INSERT**
(71) Applicant: **Korloy Inc.**, Seoul (KR)
(72) Inventors: **Sung Hun Kim**, Cheongju-si (KR); **Ki Bong Park**, Cheongju-si (KR); **Byung Hoon Min**, Cheongju-si (KR); **Hyo San Kim**, Cheongju-si (KR); **Young Heum Kim**, Cheongju-si (KR)
(**) Term: **15 Years**
(21) Appl. No.: **35/510,813**
(22) Filed: **May 21, 2020**
(80) **Hague Agreement Data**
Int. Filing Date: **May 21, 2020**
Int. Reg. No.: **DM/210376**
Int. Reg. Date: **May 21, 2020**
Int. Reg. Pub. Date: **Nov. 27, 2020**

5,207,538 A * 5/1993 Satran B23C 5/2213
407/113
D342,269 S * 12/1993 Arai D15/139
D344,276 S * 2/1994 Markusson D15/139
D345,984 S * 4/1994 Ishikawa D15/139
D345,985 S * 4/1994 Ishikawa D15/139
D348,891 S * 7/1994 Markusson D15/139
D355,661 S * 2/1995 Hessman D15/139
D357,692 S * 4/1995 Ishikawa D15/139
D376,158 S * 12/1996 Hessman D15/139
D381,026 S * 7/1997 Hessman D15/139
D409,633 S * 5/1999 Bernadic D15/139
D422,608 S * 4/2000 Malaker D15/139
D425,086 S * 5/2000 Bernadic D15/139
D488,175 S * 4/2004 Kasperik D15/139
7,168,512 B2 * 1/2007 Schuffenhauer B23C 5/207
175/426
D585,467 S * 1/2009 Takanashi D15/139
D589,542 S * 3/2009 Takanashi D15/139
D794,103 S * 8/2017 Jeong D15/139
D805,566 S * 12/2017 Oh D15/139
D816,133 S * 4/2018 Mura D15/139
D816,134 S * 4/2018 Mura D15/139
D826,664 S * 8/2018 Matsubara D8/20
D828,414 S * 9/2018 Takahashi D15/139
D845,361 S * 4/2019 Komiyama D15/139
D853,456 S * 7/2019 Aizawa D15/138

(51) **LOC (13) Cl.** **15-09**
(52) **U.S. Cl.**
USPC **D15/139**
CPC **B23C 5/2213** (2013.01)
(58) **Field of Classification Search**
USPC D15/124-144; D8/70, 90, 98; 407/59,
407/114, 139-140
CPC B23C 2200/0494; B23C 2200/086; B23C
2200/128; B23C 2200/362; B23C 5/15;
B23C 5/06; B23C 5/207; B23C 2200/367;
B23C 2200/0422; B23B 27/007; B23B
27/143; B23B 2200/321; B23B 2200/087
See application file for complete search history.

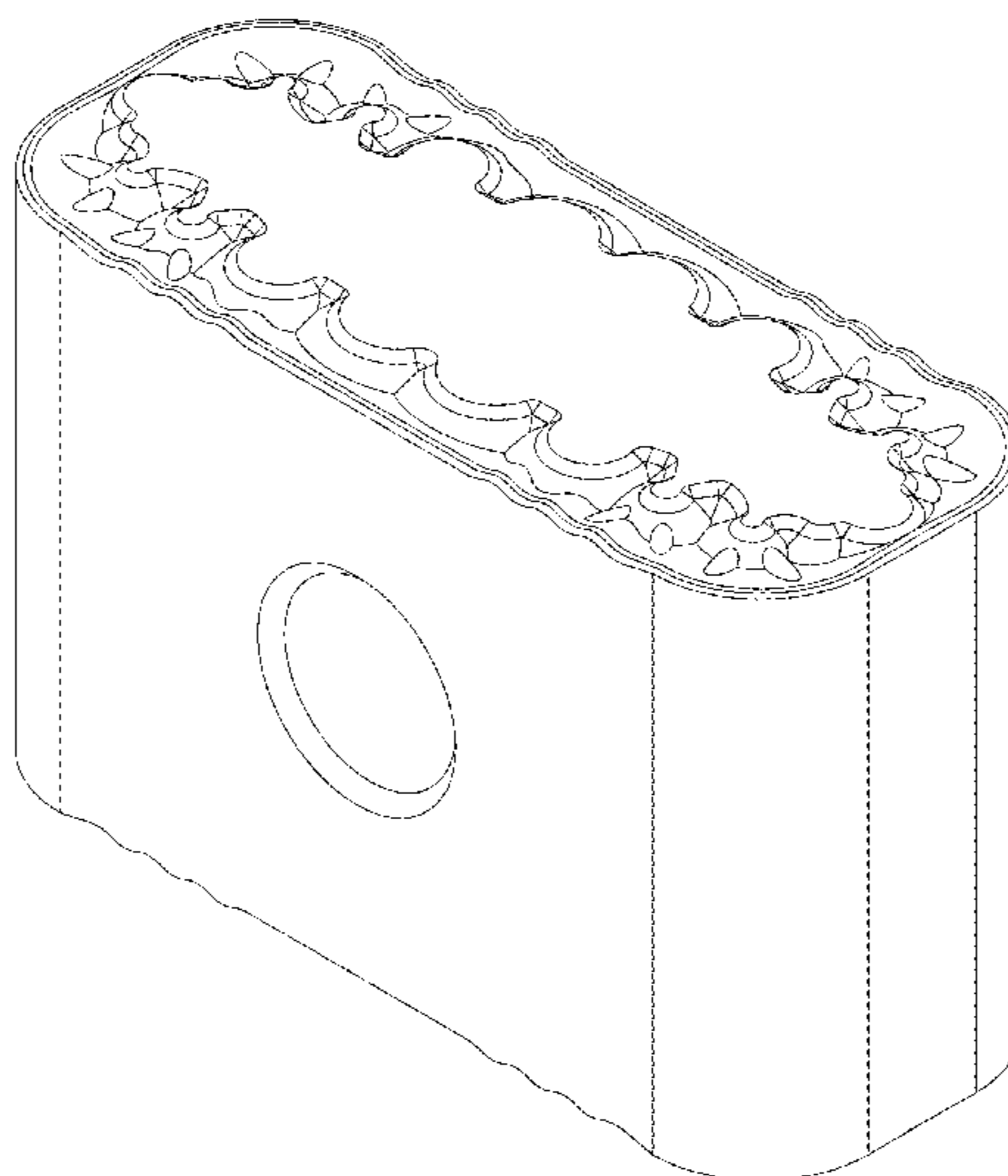
(Continued)
Primary Examiner — Richard E Chilcot
(74) *Attorney, Agent, or Firm* — Rabin & Berdo, P.C.

(56) **References Cited**
U.S. PATENT DOCUMENTS
D304,949 S * 12/1989 Niebauer D15/139
D305,239 S * 12/1989 Niebauer D15/139
5,145,295 A * 9/1992 Satran B23C 5/2213
407/113

(57) **CLAIM**
The ornamental design for a cutting insert, as shown and described.

DESCRIPTION
1. Cutting insert
1.1 : Perspective
1.2 : Front
1.3 : Back
1.4 : Top
1.5 : Bottom
1.6 : Left
1.7 : Right

1 Claim, 7 Drawing Sheets



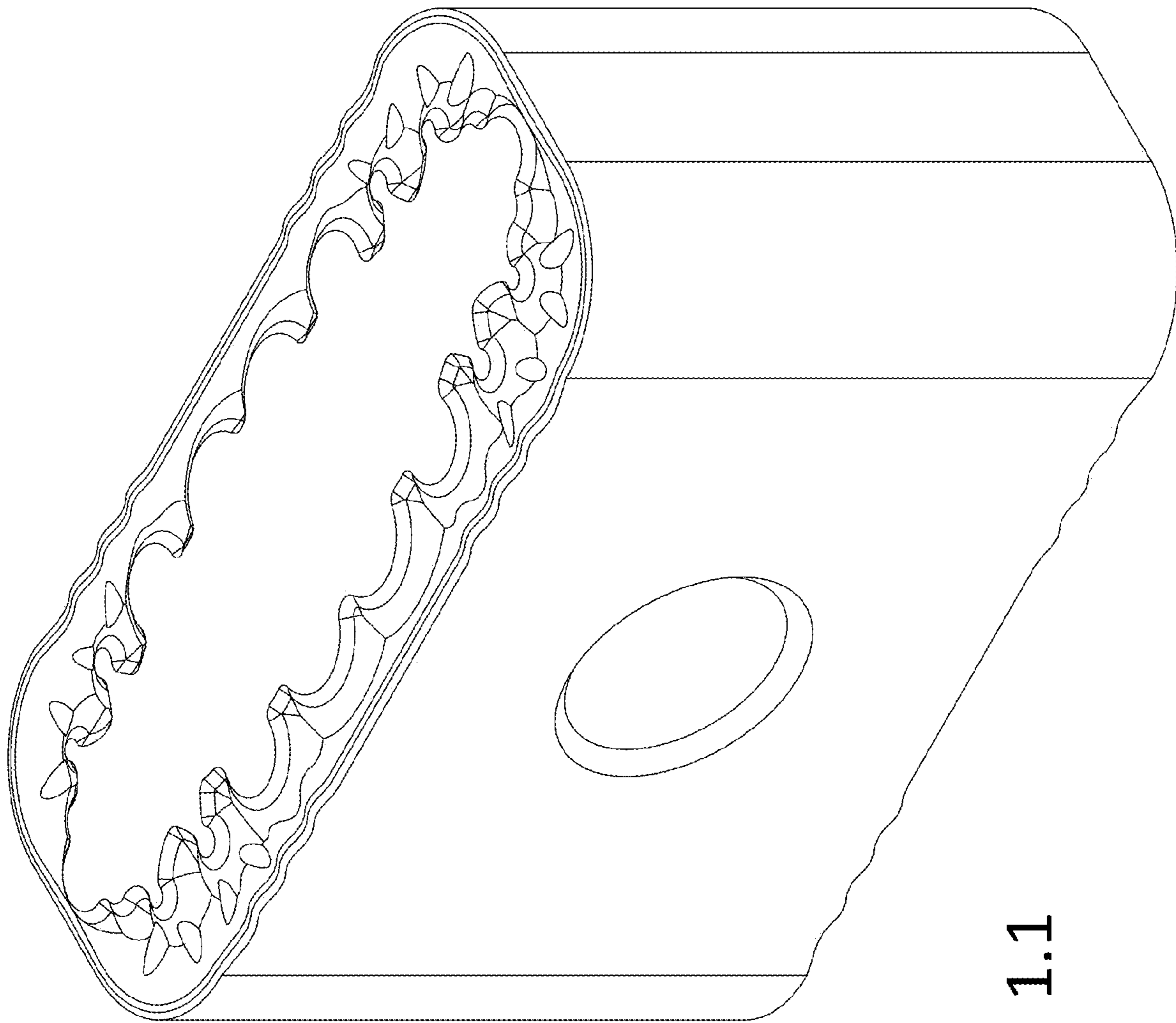
(56)

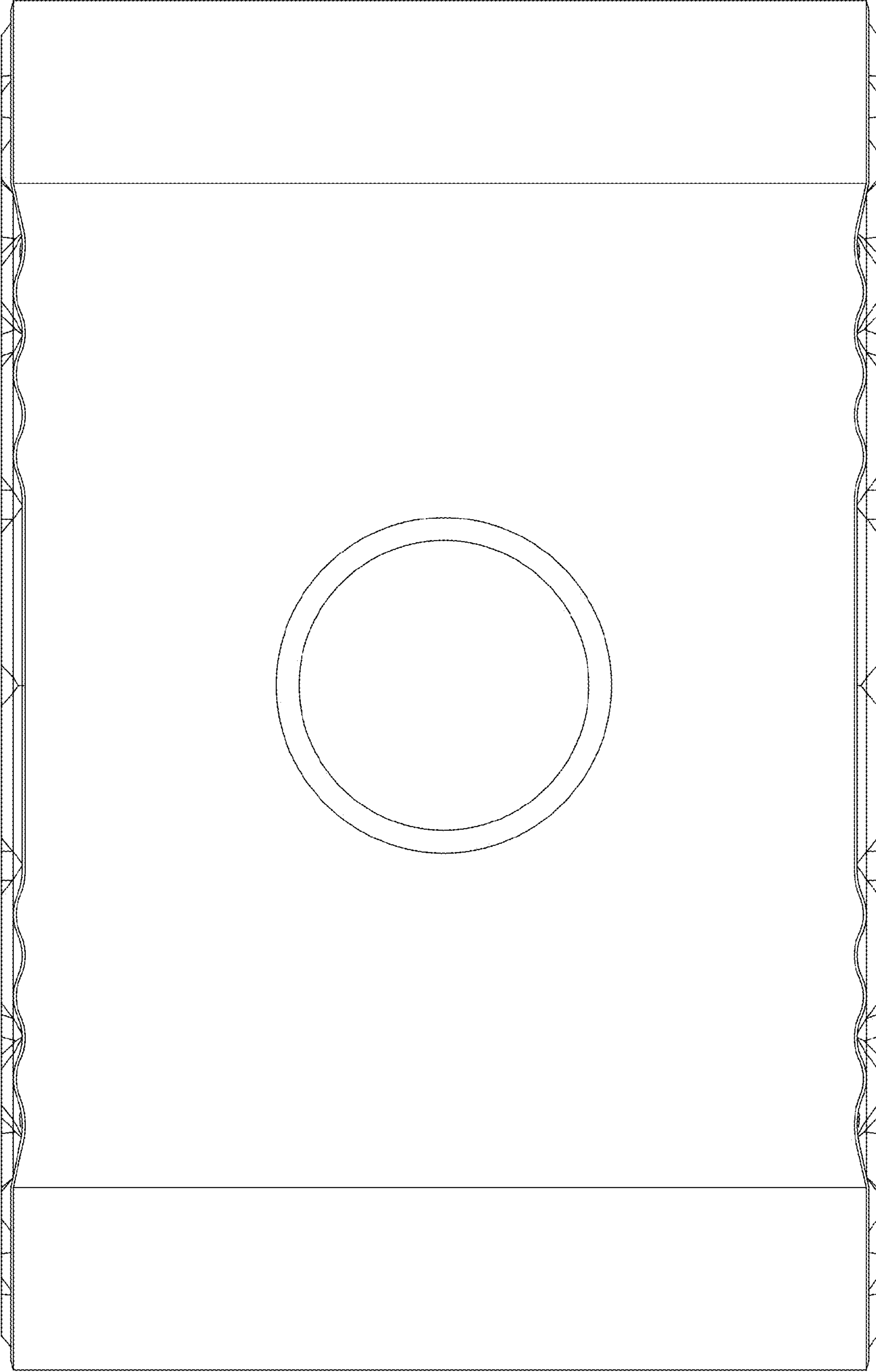
References Cited

U.S. PATENT DOCUMENTS

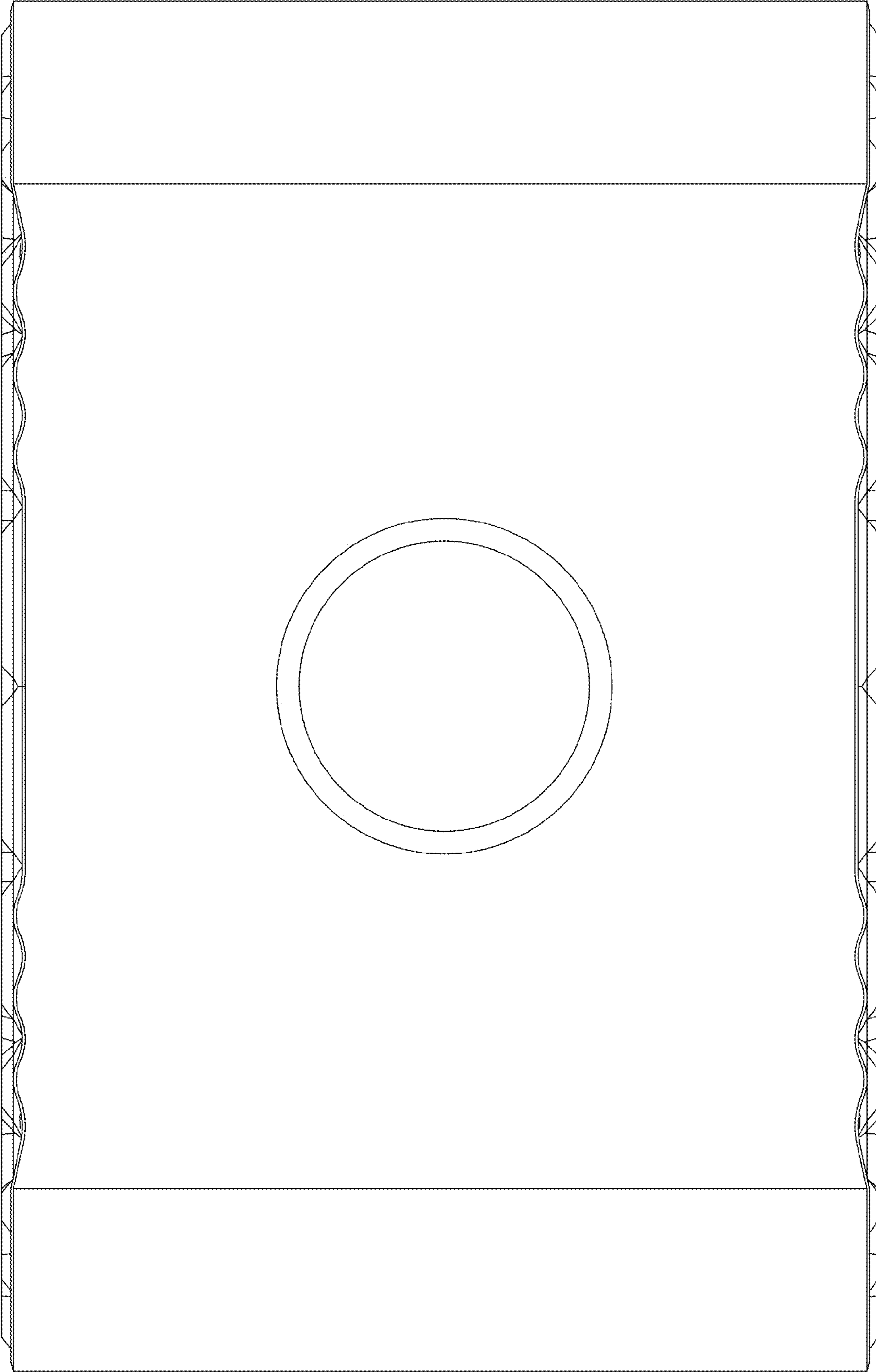
D872,784 S * 1/2020 Inagaki D15/139
D879,168 S * 3/2020 Zhao D15/139
D898,085 S * 10/2020 Kim D15/139
2015/0202697 A1* 7/2015 Shiota B23C 5/109
407/42
2015/0246398 A1* 9/2015 Kawasaki B23B 27/141
408/231

* cited by examiner

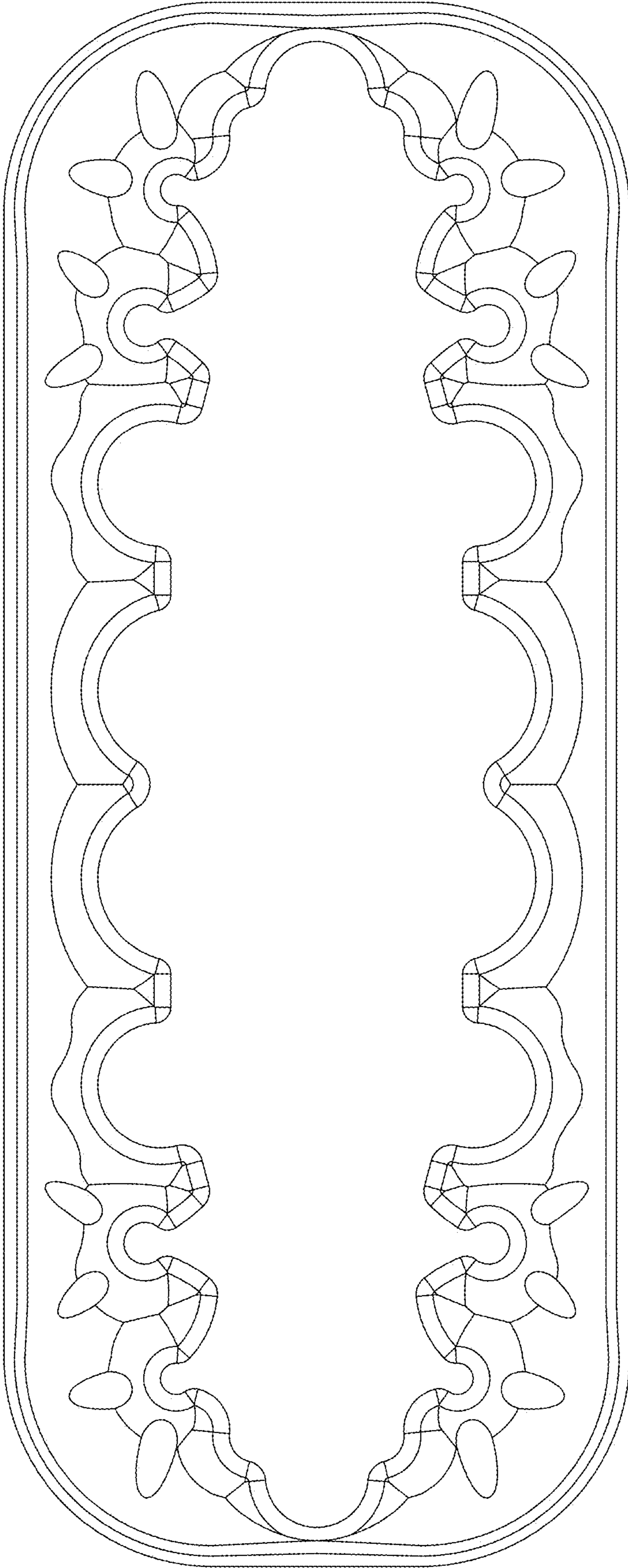




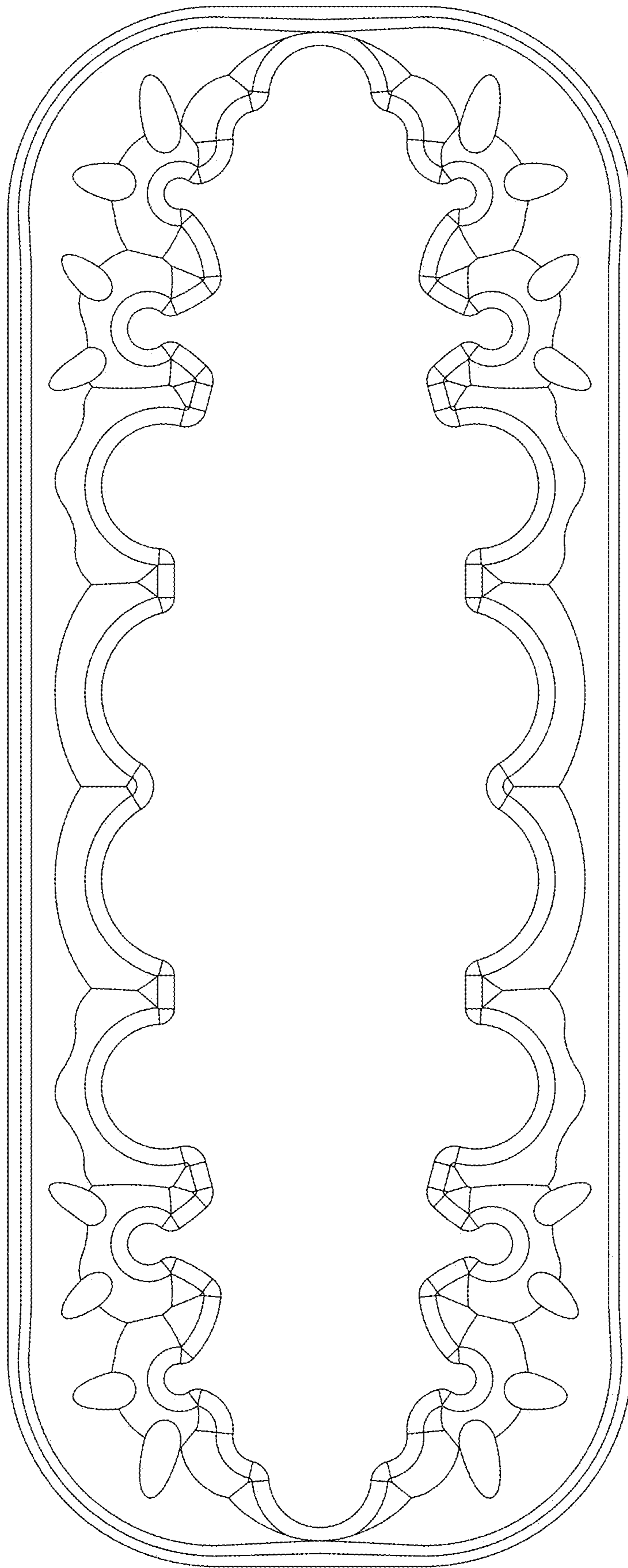
1.2



1.3



1.4



1.5

