



US00D956834S

(12) **United States Design Patent**
O’Hanrahan, Jr.

(10) **Patent No.:** **US D956,834 S**

(45) **Date of Patent:** **** Jul. 5, 2022**

- (54) **FORGED ROLLER ASSEMBLY**
- (71) Applicant: **Edward O’Hanrahan, Jr.**, Homosassa, FL (US)
- (72) Inventor: **Edward O’Hanrahan, Jr.**, Homosassa, FL (US)
- (**) Term: **15 Years**
- (21) Appl. No.: **29/766,806**
- (22) Filed: **Jan. 19, 2021**
- (51) **LOC (13) Cl.** **15-09**
- (52) **U.S. Cl.**
USPC **D15/138**
- (58) **Field of Classification Search**
USPC D15/122, 138, 148, 149
CPC . B60S 3/004; B61J 3/04; B65G 17/24; B65G 19/02; B65G 19/225; B65G 39/20; B65G 2201/0294
See application file for complete search history.

(56) **References Cited**

U.S. PATENT DOCUMENTS

- 1,157,618 A * 10/1915 Cottingham B61H 13/34
188/205 R
- 1,764,939 A * 6/1930 Dina G03B 1/42
226/84
- D106,464 S * 10/1937 Wherren D15/138
- D136,795 S * 12/1943 Lear D12/345
- D184,544 S * 3/1959 Pessler D15/138
- D192,188 S * 2/1962 Lake, Jr. D15/138
- D216,825 S * 3/1970 Hunnicutt D15/138
- 4,114,003 A * 9/1978 Frink H01H 3/30
218/7
- 4,557,327 A * 12/1985 Kinley E21B 17/1021
166/241.5
- 4,873,929 A * 10/1989 Witecki B60S 3/004
198/717
- 5,140,910 A * 8/1992 Welter B60S 3/004
104/162

- 5,277,126 A * 1/1994 Wendt B65G 17/20
105/155
- 5,452,774 A * 9/1995 Davis B66B 9/16
254/95
- 6,186,073 B1 * 2/2001 Reitsch, Jr. B60S 3/004
104/162
- 6,647,894 B1 * 11/2003 Simoes B60S 3/004
198/732
- 6,668,731 B2 * 12/2003 Calisi B61J 3/04
104/172.3
- D523,451 S * 6/2006 Folk D15/138
- D599,831 S * 9/2009 Rosso D15/138
- 8,146,511 B1 * 4/2012 Analetto B60S 3/004
104/165
- 8,161,888 B2 * 4/2012 Balash B60S 3/004
104/165

(Continued)

Primary Examiner — Patricia A Palasik

(74) *Attorney, Agent, or Firm* — Larson & Larson, P.A.;
Frank Liebenow; Justin P. Miller

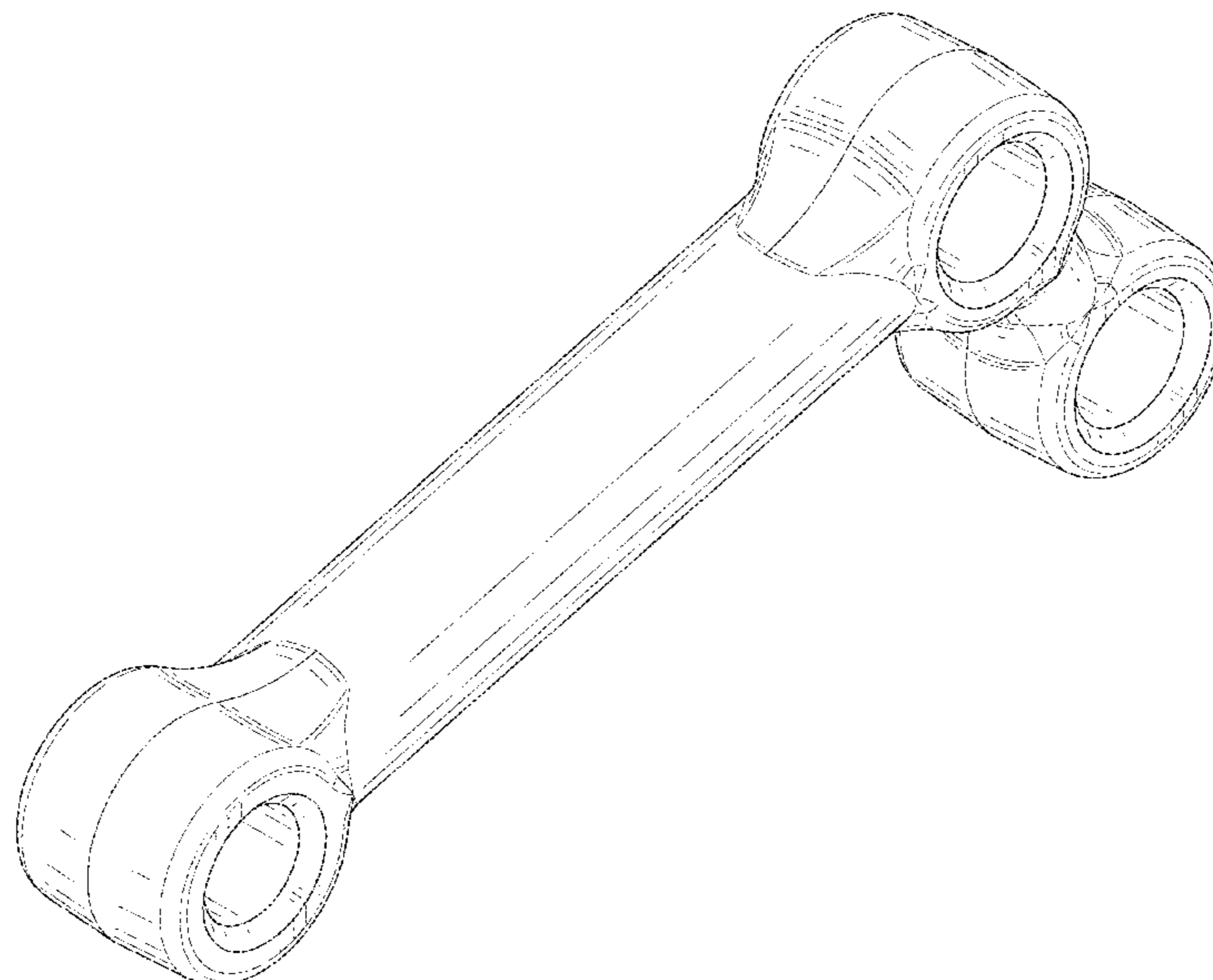
(57) **CLAIM**

The ornamental design for a forged roller assembly, as shown and described.

DESCRIPTION

FIG. 1 is a perspective view of a forged roller assembly showing my new design;
 FIG. 2 is a front elevation view thereof;
 FIG. 3 is a rear elevation view thereof;
 FIG. 4 is a left-side elevation view thereof;
 FIG. 5 is a right-side elevation view thereof;
 FIG. 6 is a top plan view thereof;
 FIG. 7 is a bottom plan view thereof; and,
 FIG. 8 is a second perspective view thereof.
 The broken lines in FIG. 8 illustrate rollers and chain links of the forged roller assembly that form no part of the claimed design.

1 Claim, 6 Drawing Sheets



(56)

References Cited

U.S. PATENT DOCUMENTS

8,393,461 B2 * 3/2013 Balash B60S 3/004
198/732
D740,864 S * 10/2015 Johnsson D15/138
9,452,740 B1 9/2016 Fazio et al.
D774,117 S * 12/2016 Wingerter D15/138
D885,447 S * 5/2020 Boulet Gendron D15/138
10,766,707 B2 9/2020 Fazio et al.
2003/0200892 A1 * 10/2003 Calisi B60S 3/004
104/172.3
2005/0109583 A1 * 5/2005 Stebnicki B65G 17/06
198/779
2008/0229965 A1 * 9/2008 Balash B65G 19/225
104/162
2010/0326235 A1 * 12/2010 Kilbon B21K 1/08
74/595
2011/0036263 A1 * 2/2011 Balash B60S 3/004
104/162
2015/0311103 A1 * 10/2015 Bando H01L 21/67778
414/331.17
2016/0264103 A1 * 9/2016 Fazio B65G 19/225
2019/0367281 A1 * 12/2019 Fazio B65G 19/205

* cited by examiner

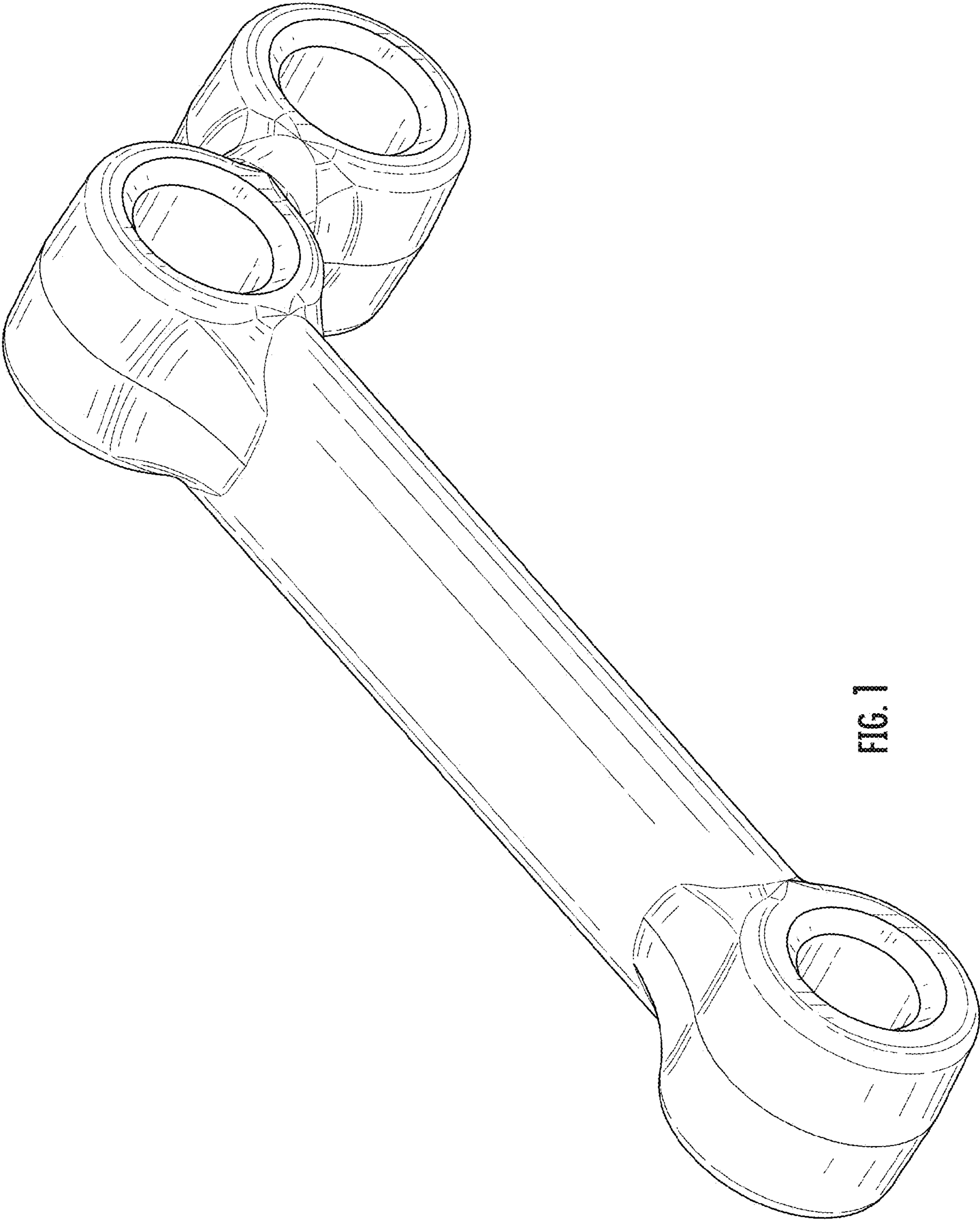


FIG. 1

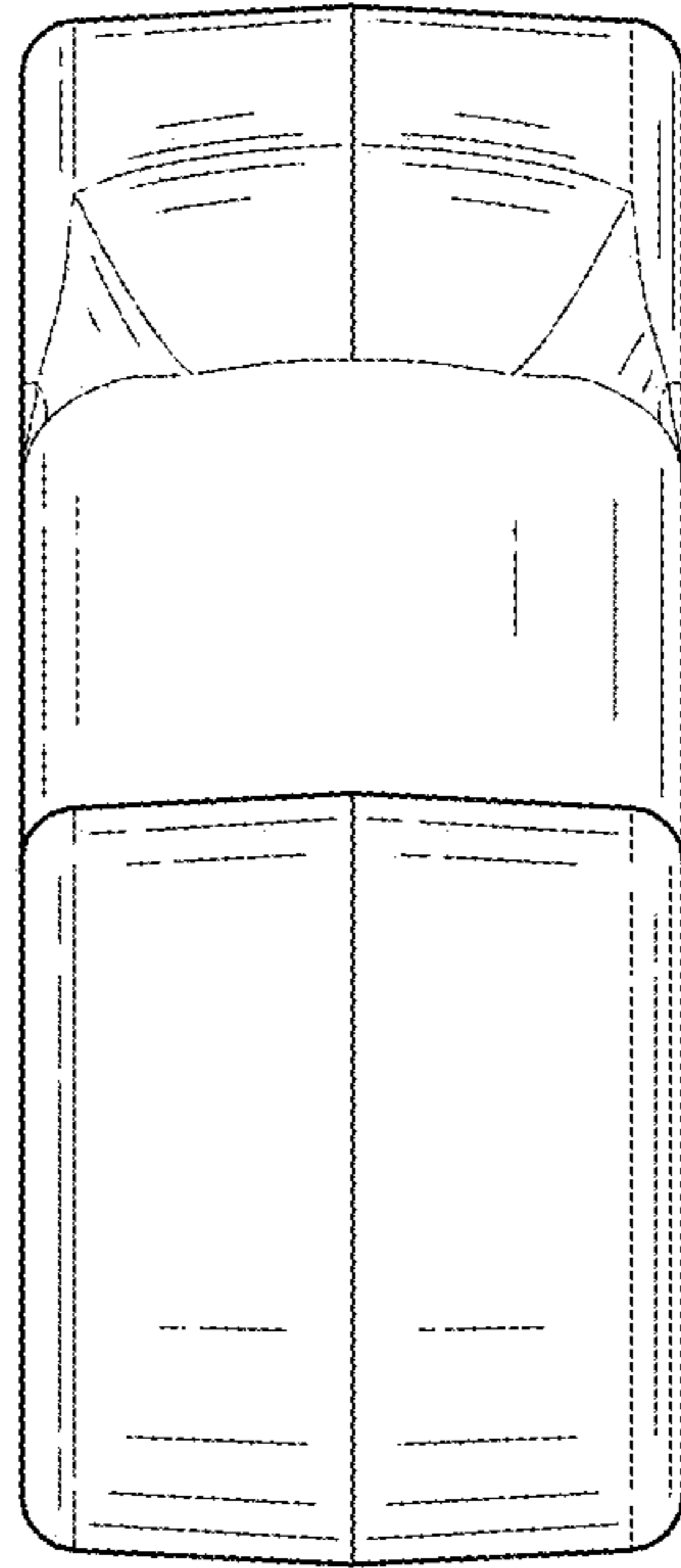


FIG. 2

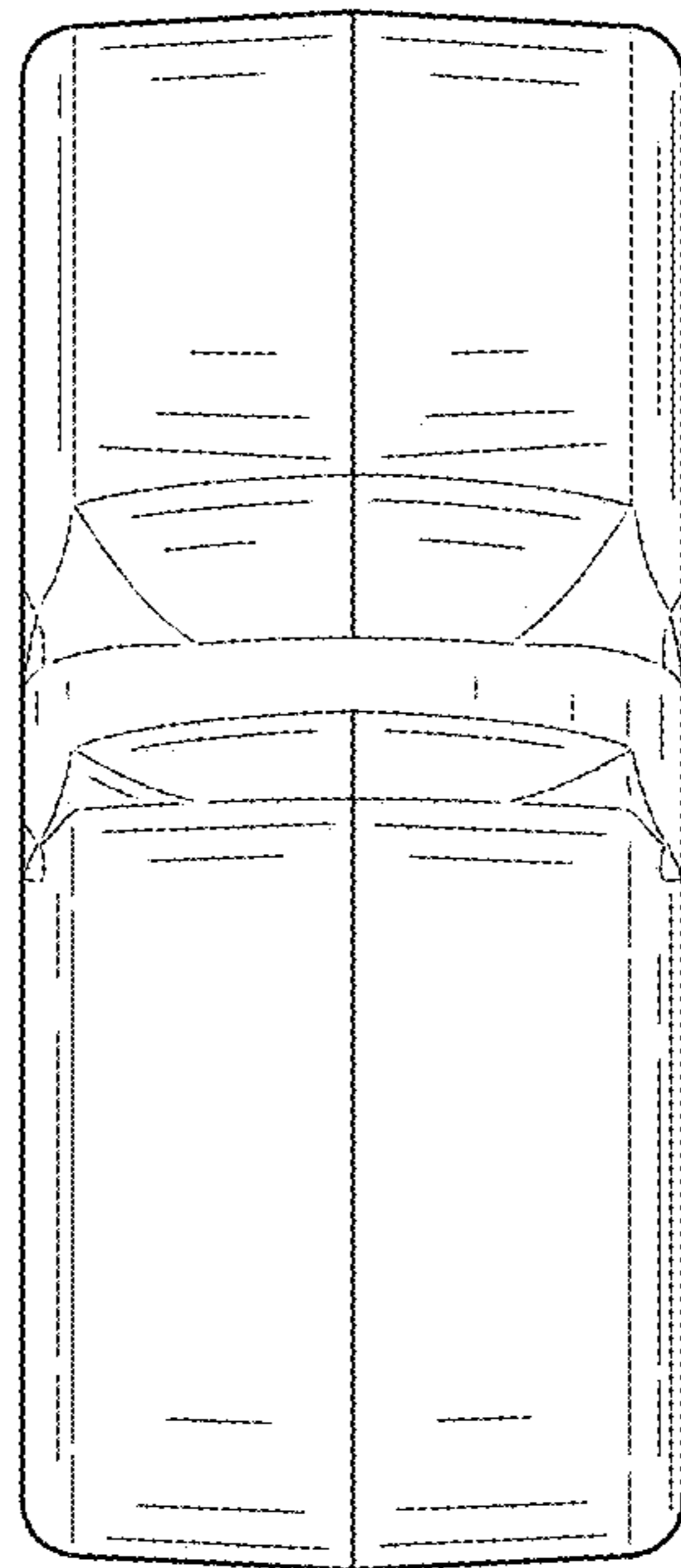


FIG. 3

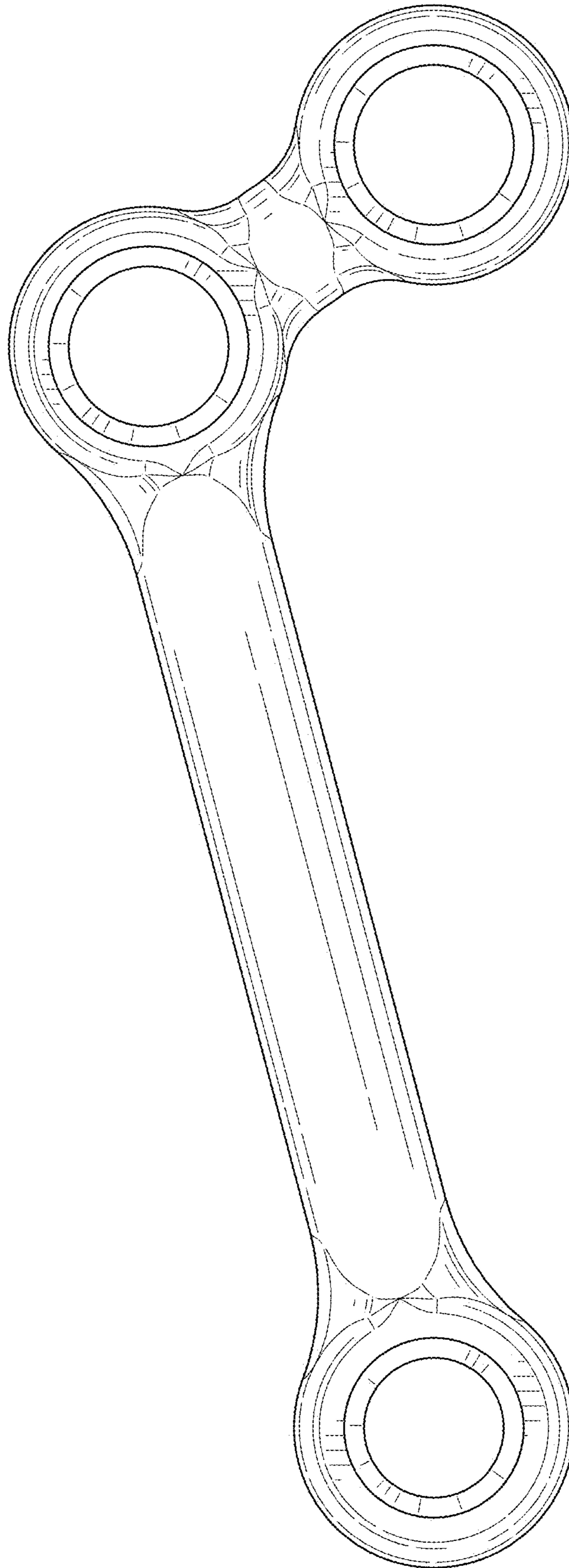


FIG. 4

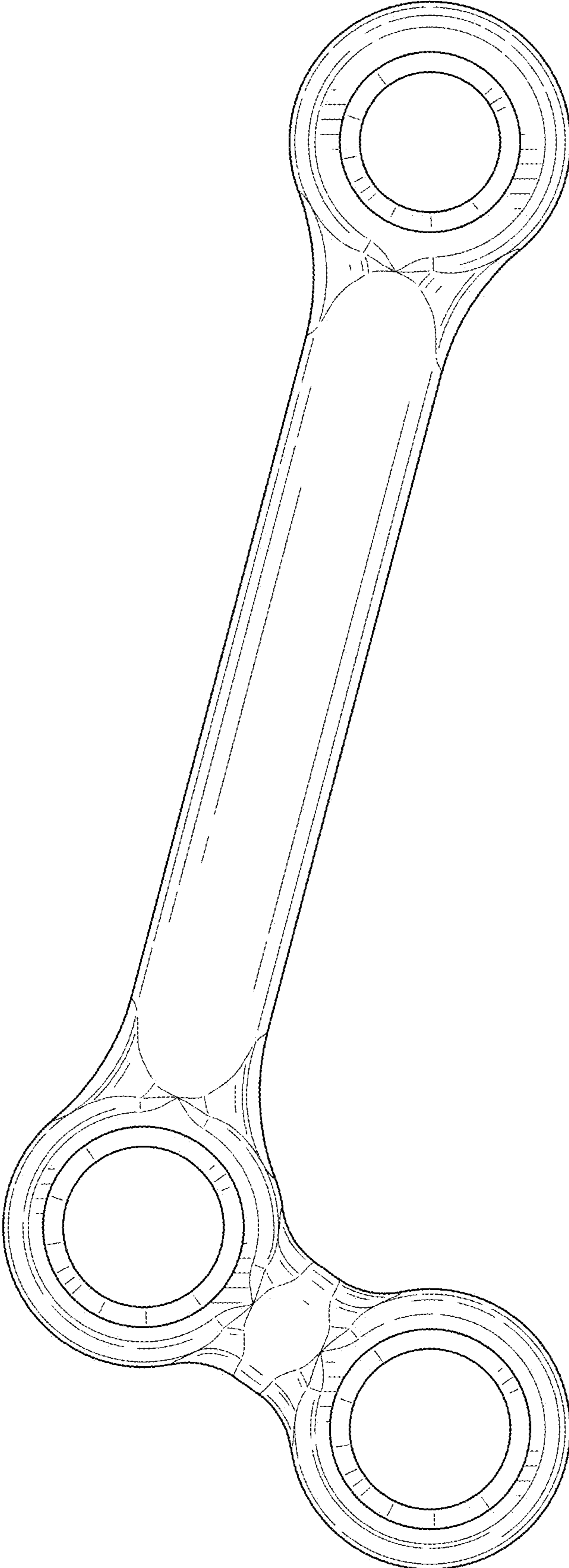


FIG. 5

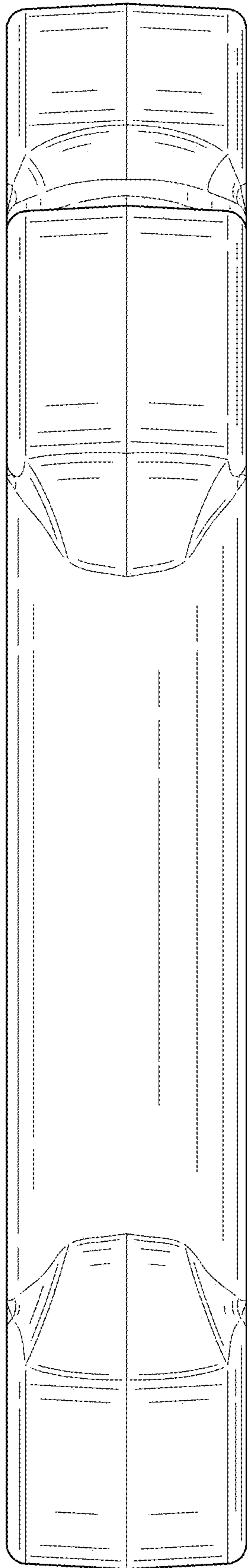


FIG. 6

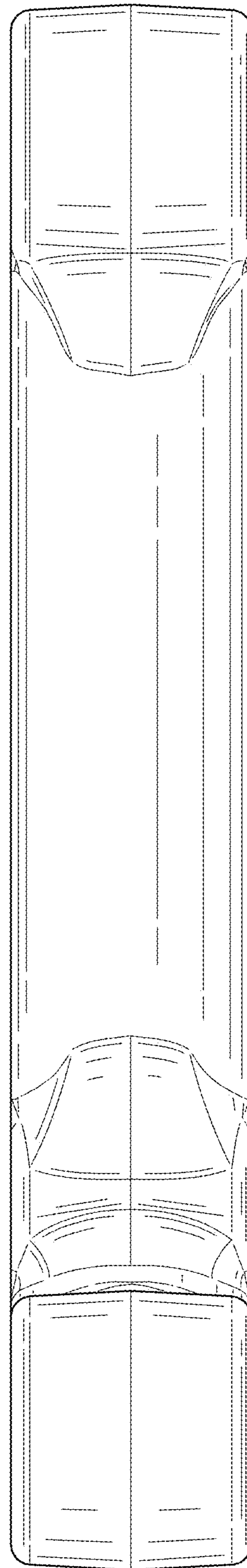


FIG. 7

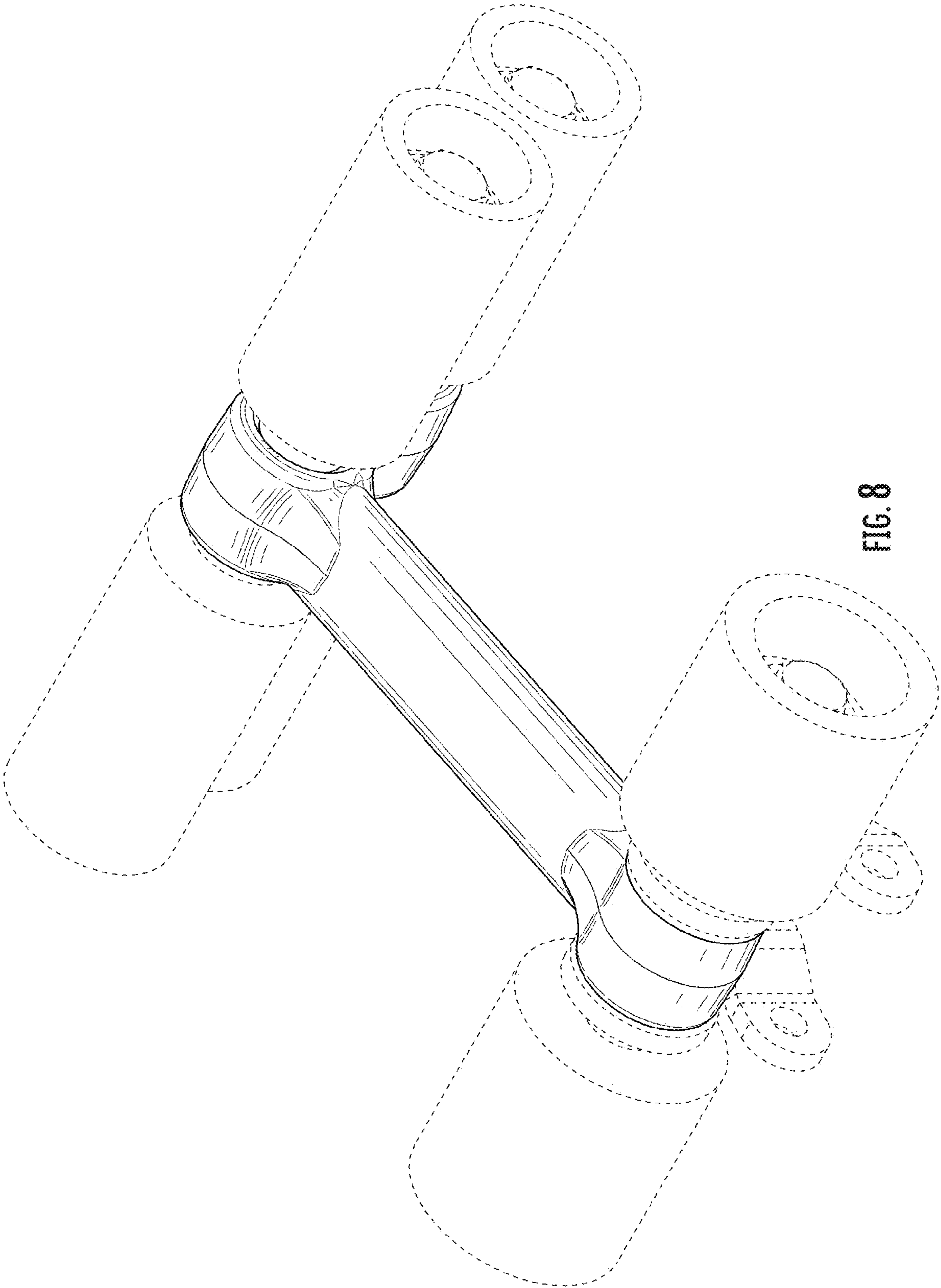


FIG. 8