



US00D956832S

(12) **United States Design Patent**
Ye

(10) **Patent No.: US D956,832 S**

(45) **Date of Patent: ** Jul. 5, 2022**

(54) **ICE MOLD**

(71) Applicant: **Shuisheng Ye**, Shenzhen (CN)

(72) Inventor: **Shuisheng Ye**, Shenzhen (CN)

(**) Term: **15 Years**

(21) Appl. No.: **29/727,556**

(22) Filed: **Mar. 11, 2020**

(51) **LOC (13) Cl. 15-07**

(52) **U.S. Cl.**
USPC **D15/90**

(58) **Field of Classification Search**
USPC D7/300, 368, 387, 603, 605, 669, 672;
D15/79-91; D9/100
CPC F25C 2400/10; F25C 5/005; F25C 1/10;
F25C 2305/022; F25C 2600/04; F25C
2700/14; F25C 5/06; F25C 5/182; F25C
1/08; F25C 1/24; F25C 2400/14; F25C
2500/02; A47J 43/00; A47J 43/20; A47J
9/00; A47J 9/007

See application file for complete search history.

(56) **References Cited**

U.S. PATENT DOCUMENTS

3,590,728	A *	7/1971	Stanley	A47J 43/20 99/439
D346,552	S *	5/1994	Krupa	D9/757
D651,038	S *	12/2011	Henry	D7/357
D661,541	S *	6/2012	Braden	D7/359
D673,432	S *	1/2013	Augis	D7/672
D680,818	S *	4/2013	Augis	D7/672
D782,334	S *	3/2017	Bishop	D9/757
D847,222	S *	4/2019	Todirca	D15/90
D852,237	S *	6/2019	Helton	D15/90
D899,470	S *	10/2020	Liu	D15/90
D914,067	S *	3/2021	Wu	D15/90
D915,475	S *	4/2021	Wu	D15/90
D918,970	S *	5/2021	Zhai	D15/90

D923,067	S *	6/2021	Zhao	D15/90
D924,280	S *	7/2021	Hong	D15/90
D931,914	S *	9/2021	Zhai	D15/90
2004/0036004	A1 *	2/2004	De Groote	A23G 1/226 249/155
2020/0018535	A1 *	1/2020	Leal	B65D 75/327

OTHER PUBLICATIONS

Frsway, Frsway Ice Cube Trays Silicone Large Sphere Ice Tray Mold, (first available May 18, 2020), Amazon.com, URL:<<https://www.amazon.com/FRSWAY-Silicone-Whiskey-Spirits-Cocktails/dp/B088R6ZKJ8/>> (Year: 2020).*

* cited by examiner

Primary Examiner — Calvin E Vansant
Assistant Examiner — Mark T. Philipps
(74) *Attorney, Agent, or Firm* — Novoclaims Patent Services LLC; Mei Lin Wong

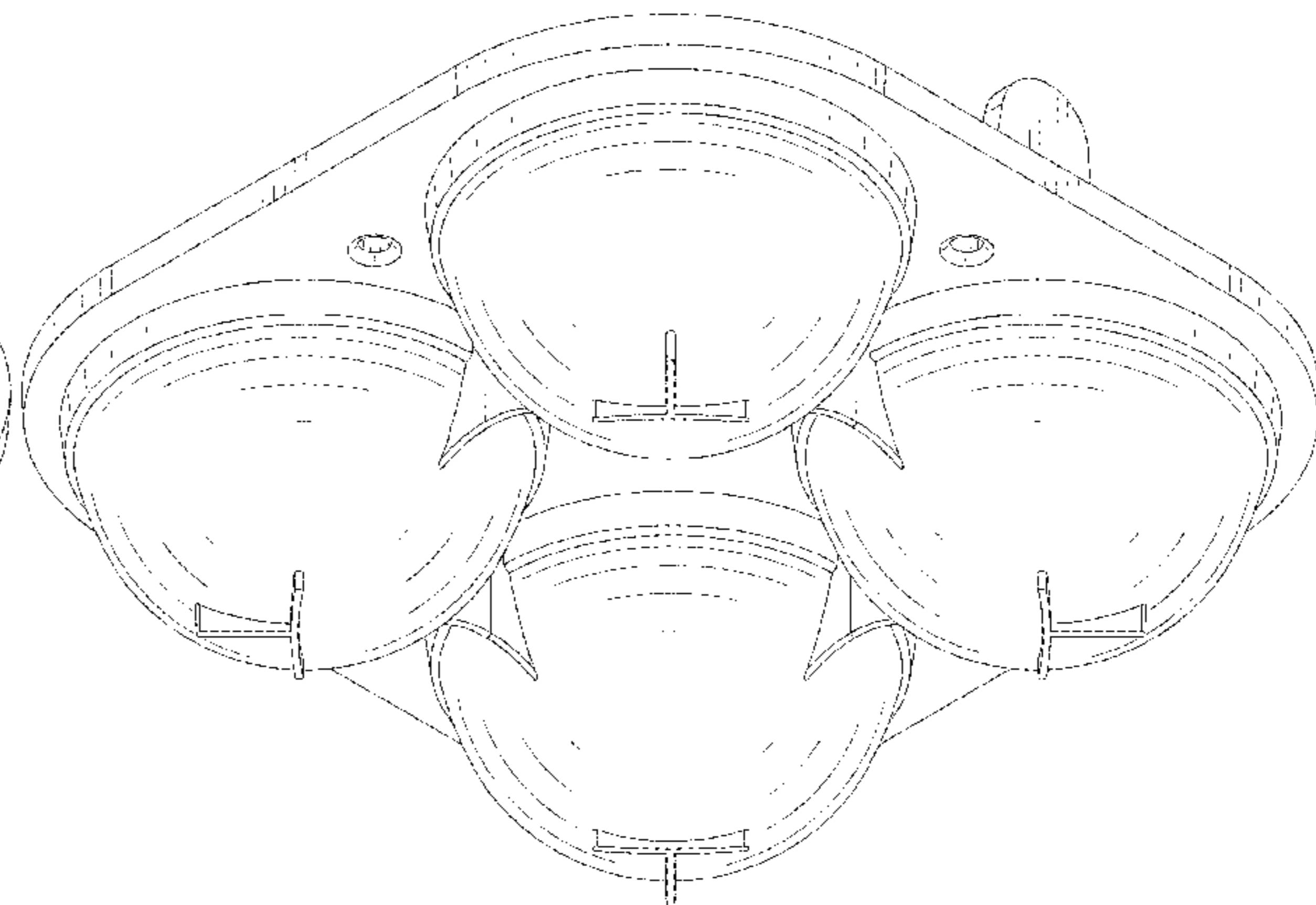
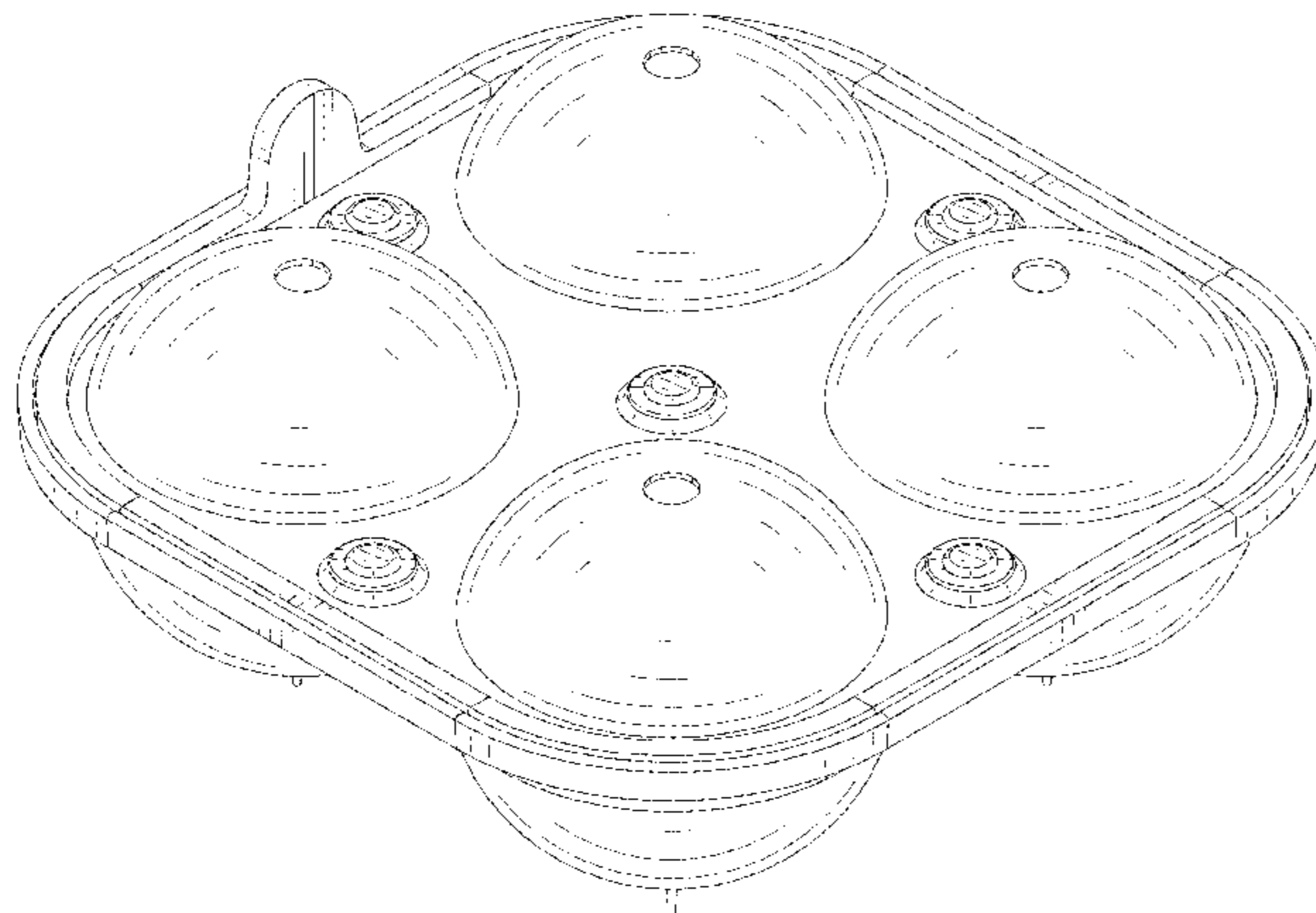
(57) **CLAIM**

The ornamental design for an ice mold, as shown and described.

DESCRIPTION

FIG. 1 is a perspective view of an ice mold showing my new design;
FIG. 2 is a rear perspective view thereof;
FIG. 3 is a front view thereof;
FIG. 4 is a rear view thereof;
FIG. 5 is a left side view thereof;
FIG. 6 is a right side view thereof;
FIG. 7 is a top view thereof; and,
FIG. 8 is a bottom view thereof.

1 Claim, 8 Drawing Sheets



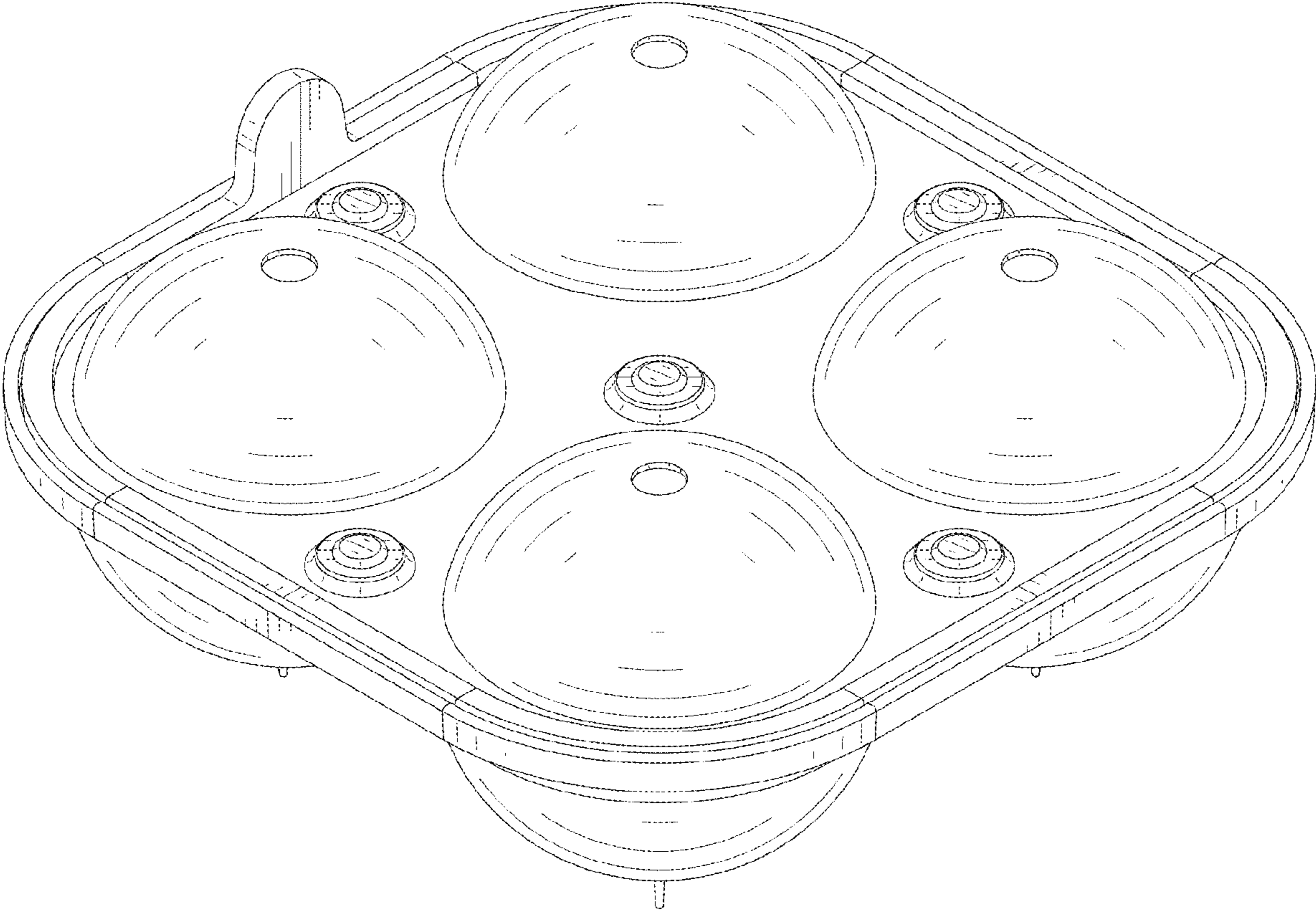


FIG.1

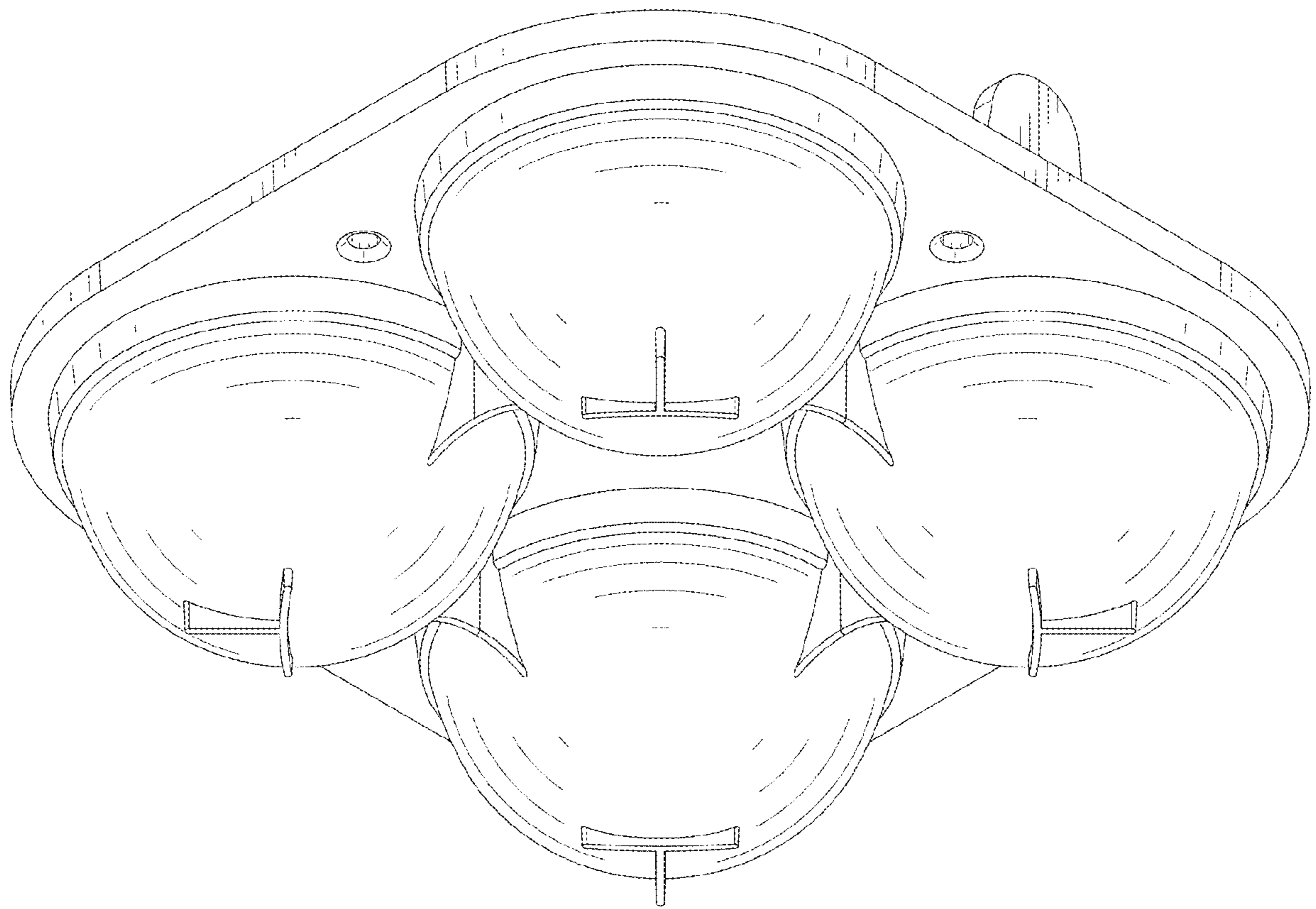


FIG.2

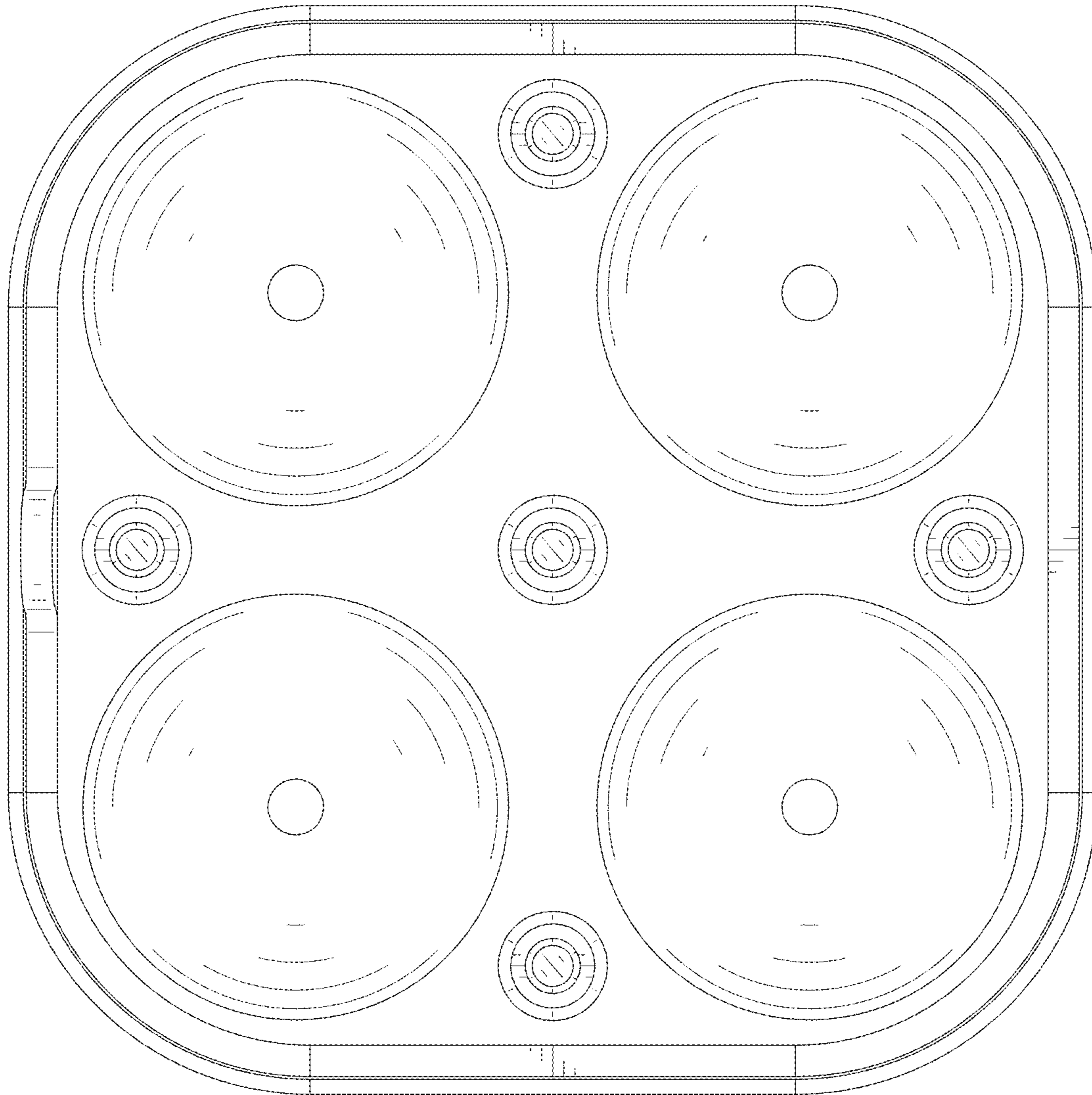


FIG.3

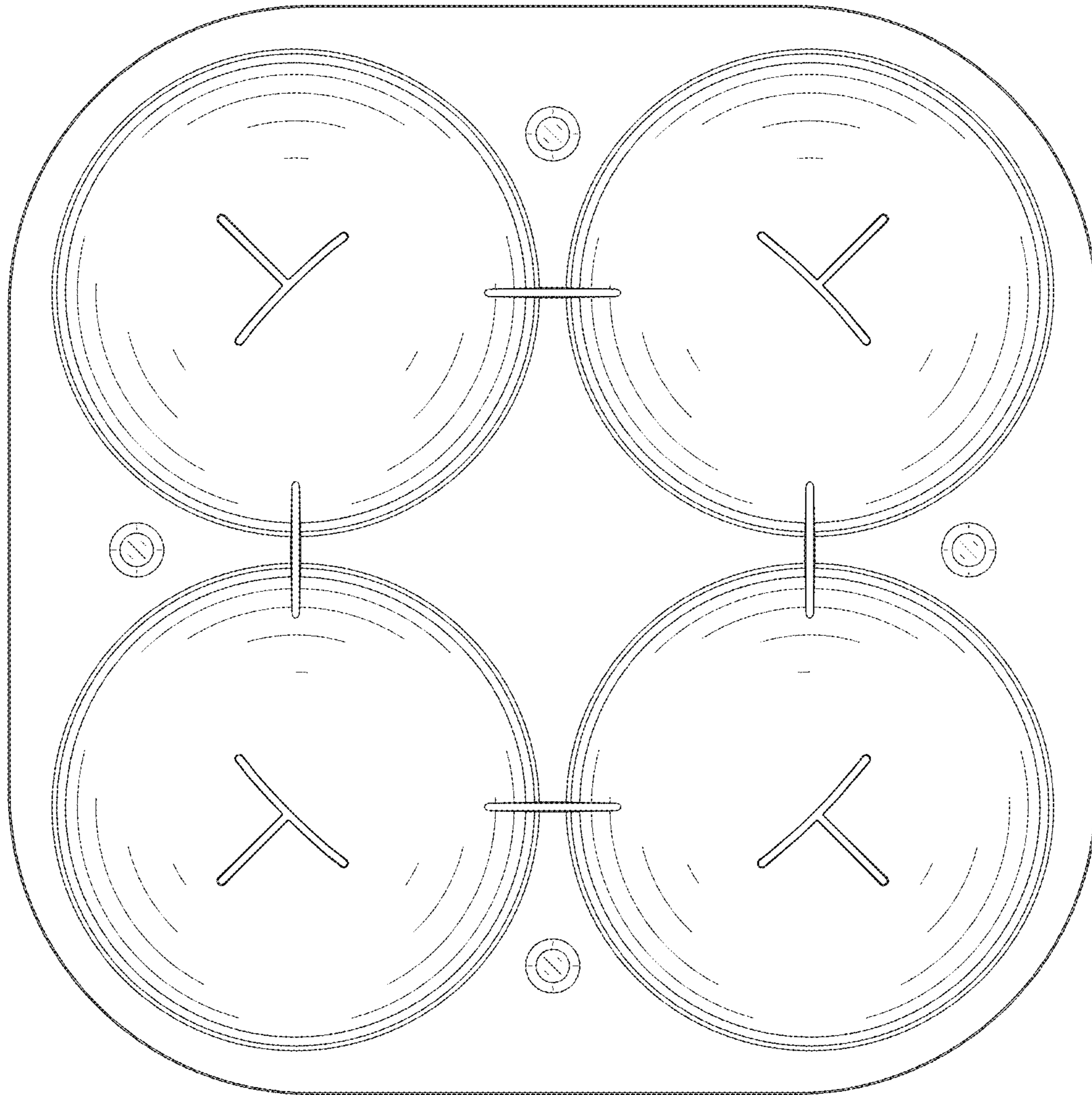


FIG.4

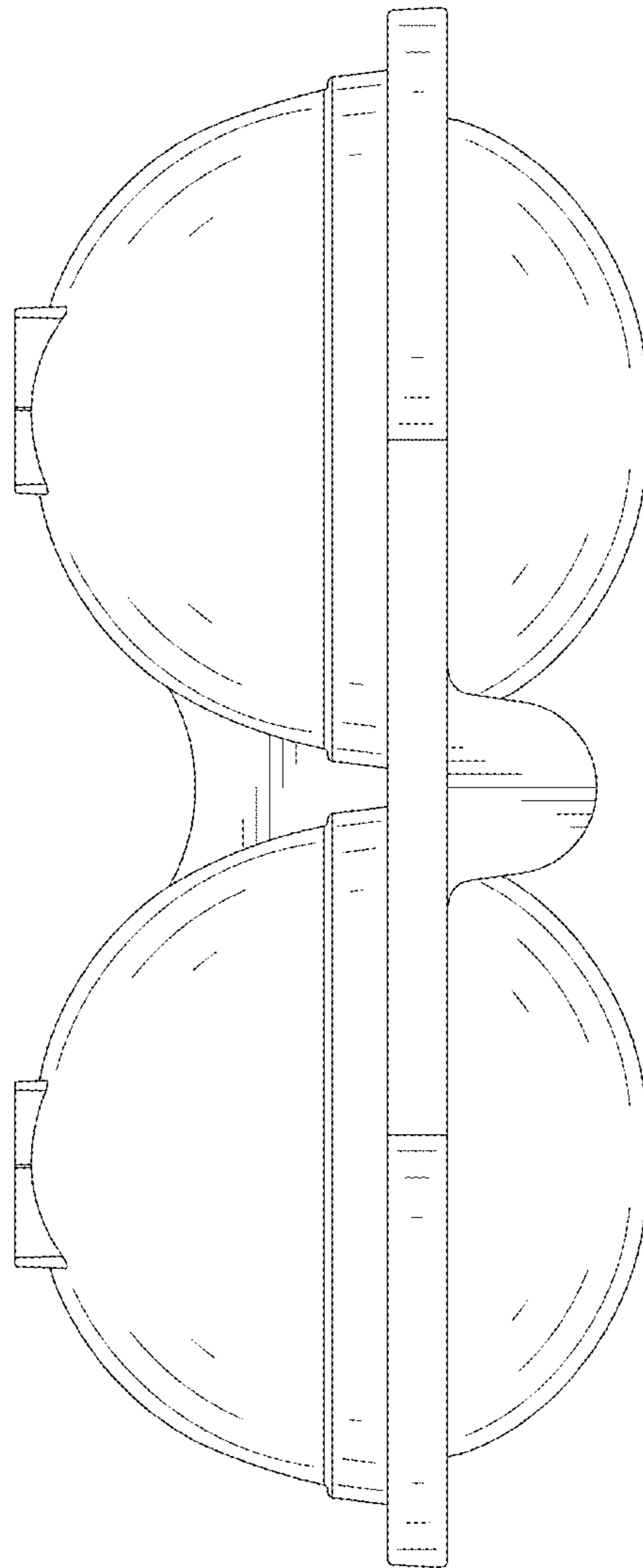


FIG.5

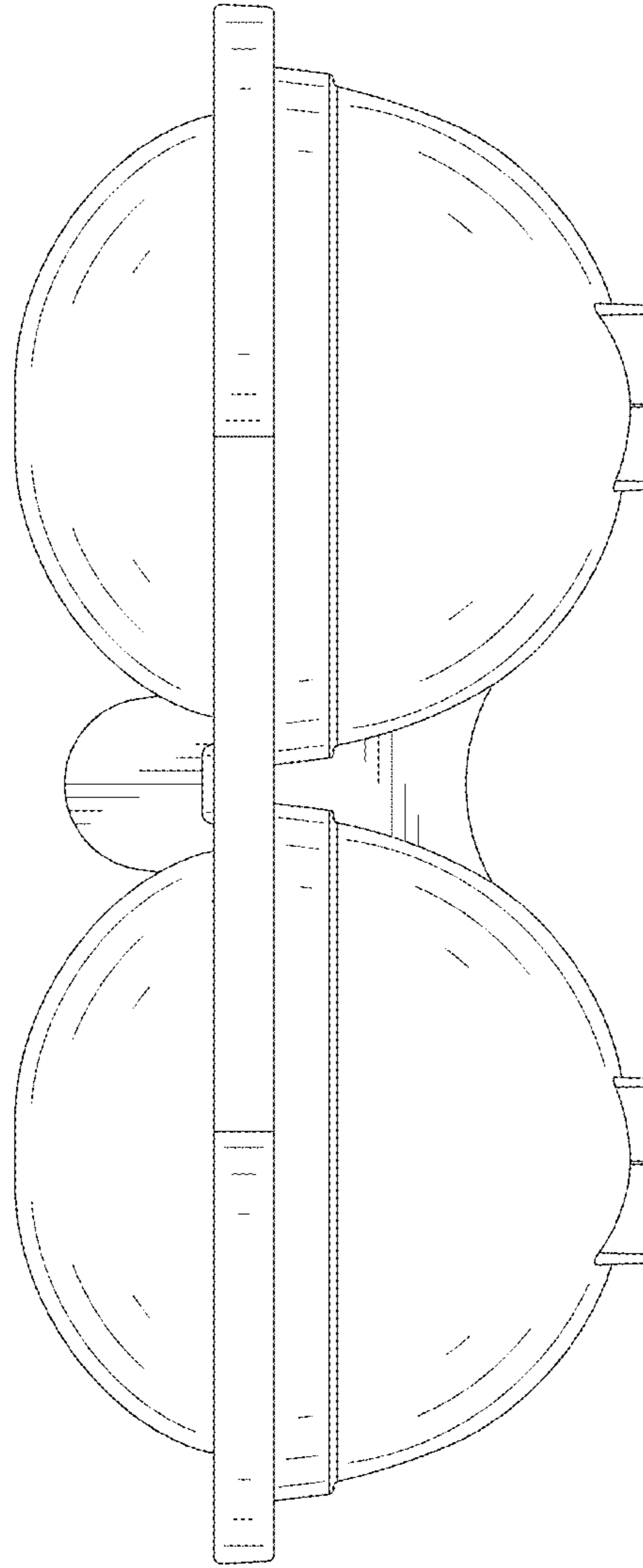


FIG.6

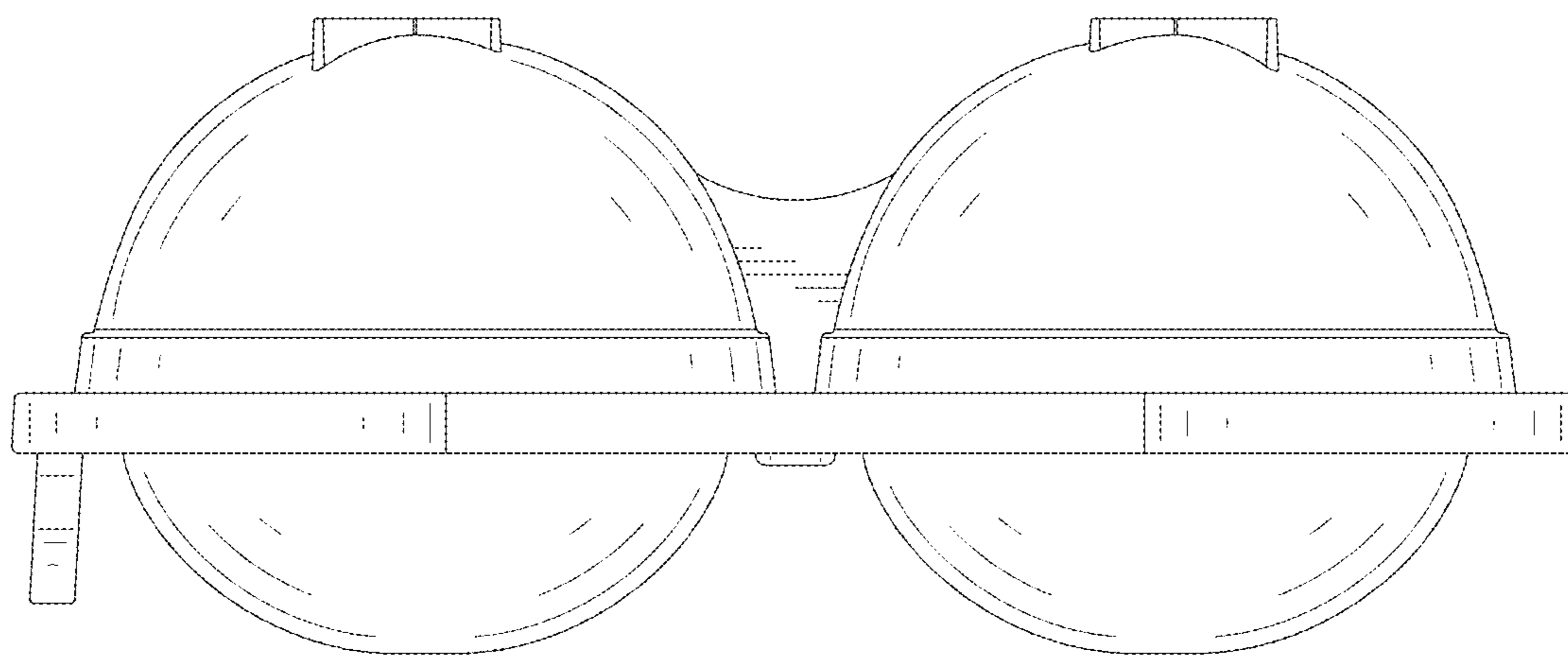


FIG.7

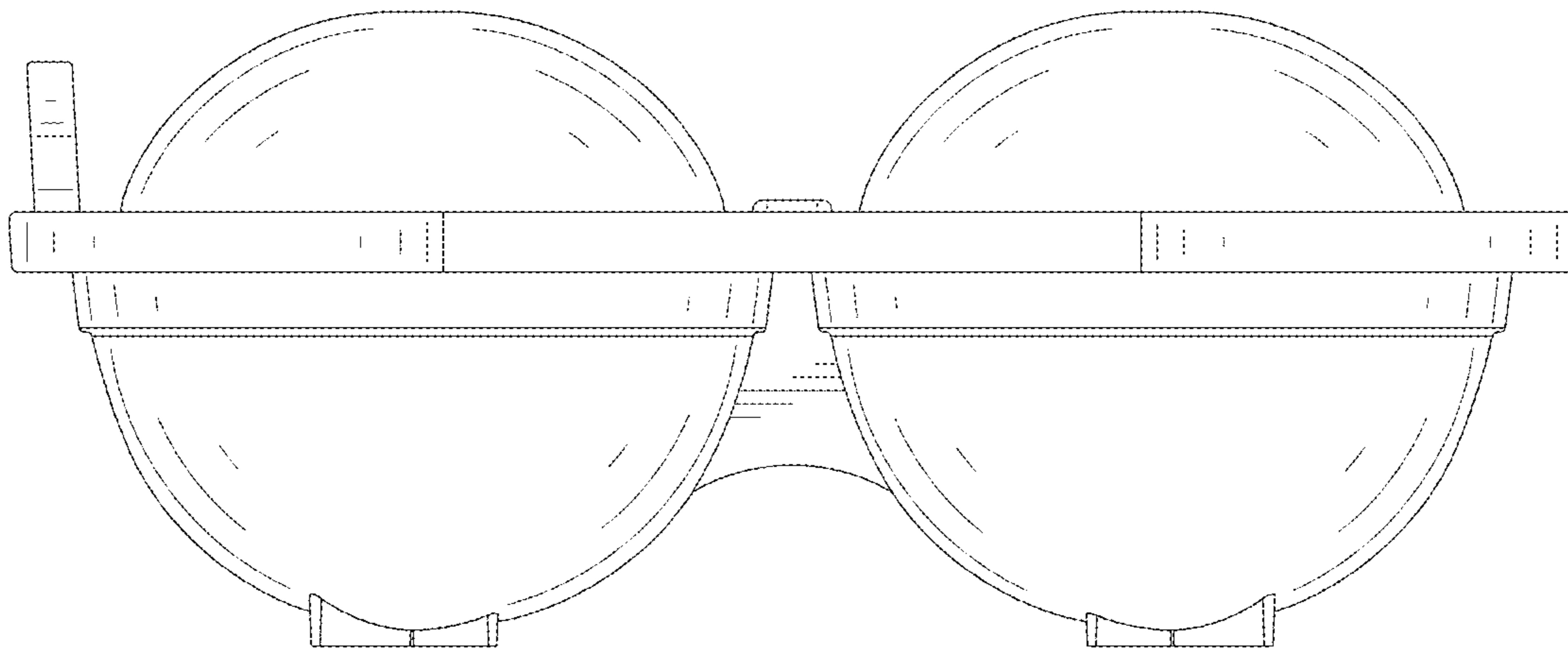


FIG.8