



US00D956830S

(12) **United States Design Patent** (10) **Patent No.:** **US D956,830 S**  
**Ernotte** (45) **Date of Patent:** **\*\* Jul. 5, 2022**

(54) **ELECTRIC ICECREAM MACHINE**  
 (71) Applicant: **BABYLISS FACO SRL**, Wandre (BE)  
 (72) Inventor: **Aubry Ernotte**, Theux (BE)  
 (73) Assignee: **BABYLISS FACO SRL**, Wandre (BE)  
 (\*\*) Term: **15 Years**  
 (21) Appl. No.: **35/510,893**  
 (22) Filed: **Nov. 18, 2020**  
 (80) **Hague Agreement Data**  
 Int. Filing Date: **Nov. 18, 2020**  
 Int. Reg. No.: **DM/211345**  
 Int. Reg. Date: **Nov. 18, 2020**  
 Int. Reg. Pub. Date: **Dec. 4, 2020**

(30) **Foreign Application Priority Data**  
 May 22, 2020 (EM) ..... 007960984-0002  
 (51) **LOC (13) Cl.** ..... **15-07**  
 (52) **U.S. Cl.**  
 USPC ..... **D15/82**  
 CPC ..... **A21C 1/04** (2013.01)  
 (58) **Field of Classification Search**  
 USPC ..... D7/372, 376-386, 402, 412, 413, 602,  
 D7/629, 665-666, 669, 679, 693, 694;  
 D15/79, 82; 312/3.6, 116, 138.1, 236,  
 312/401-408; 62/125, 126, 342  
 CPC .. A21C 1/02; A21C 1/04; A23G 9/106; A23G  
 9/12; A23N 1/00; A23N 1/02; A47J  
 43/04; A47J 43/25; A47J 43/27; A47J  
 43/042; A47J 43/044; A47J 43/046; A47J  
 43/075; A47J 43/0722; A47J 43/0727;  
 B01F 3/00; B01F 3/0807; B01F 3/0853;  
 B01F 7/00208; B01F 13/0059; B01F  
 13/0064; B02C 1/08; B02C 2/04; B02C  
 4/42; B02C 4/142; B02C 4/143; B02C  
 4/423; B02C 13/1835; B28C 5/10; B28C  
 5/12; B28C 5/14  
 See application file for complete search history.

(56) **References Cited**

U.S. PATENT DOCUMENTS

D651,619	S	*	1/2012	Salin	.....	D15/82
D671,568	S	*	11/2012	Pelayo	.....	D15/82
D685,399	S	*	7/2013	Pelayo	.....	D15/82
D694,287	S	*	11/2013	Salin	.....	D15/82
D726,231	S	*	4/2015	Lu	.....	D15/82
D726,232	S	*	4/2015	Cappelli	.....	D15/82
D760,305	S	*	6/2016	Salin	.....	D15/82
D784,427	S	*	4/2017	Bond	.....	D15/82
D798,341	S	*	9/2017	Bond	.....	D15/82
D861,742	S	*	10/2019	Baron	.....	D15/82
D873,869	S	*	1/2020	Lazzarini	.....	D15/82
D909,433	S	*	2/2021	Lee	.....	D15/82

\* cited by examiner  
*Primary Examiner* — Richard E Chilcot

(57) **CLAIM**  
 The ornamental design for an electric ice-cream machine, as shown and described.

**DESCRIPTION**

The patent or application file contains at least one drawing executed in color. Copies of this patent or patent application publication with color drawing(s) will be provided by the Office upon request and payment of the necessary fee.

1. Electric ice-cream machine  
 FIG. 1.1 is a front, side perspective view of our new design.  
 FIG. 1.2 is a front elevation view thereof,  
 FIG. 1.3 is a rear elevation view thereof,  
 FIG. 1.4 is a right side elevation view thereof,  
 FIG. 1.5 is a top plan view thereof,  
 FIG. 1.6 is a bottom plan view thereof,  
 FIG. 1.7 is a rear side perspective view thereof; and,  
 FIG. 1.8 is a left side elevation view thereof.

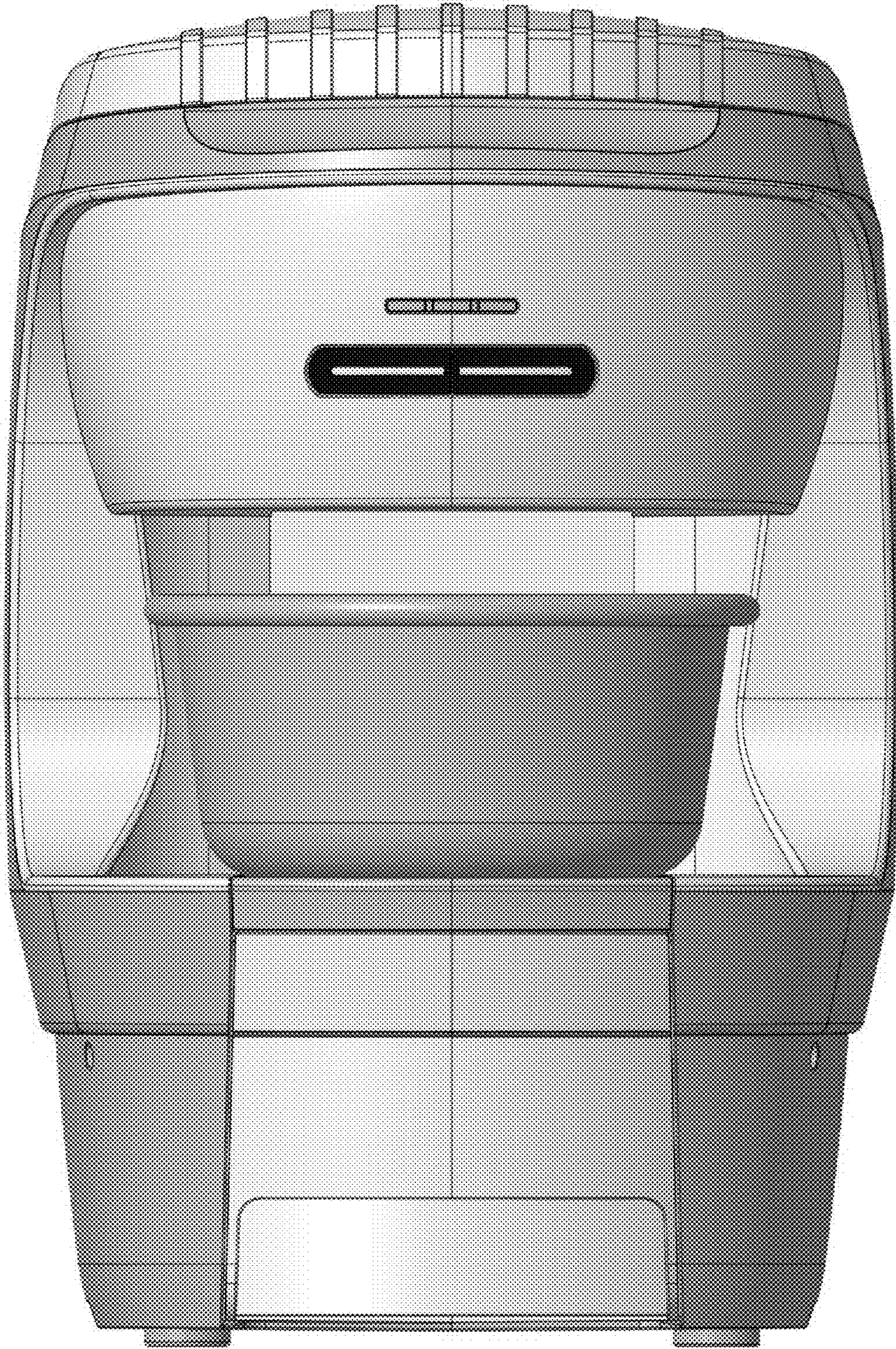
**1 Claim, 8 Drawing Sheets**  
**(8 of 8 Drawing Sheet(s) Filed in Color)**



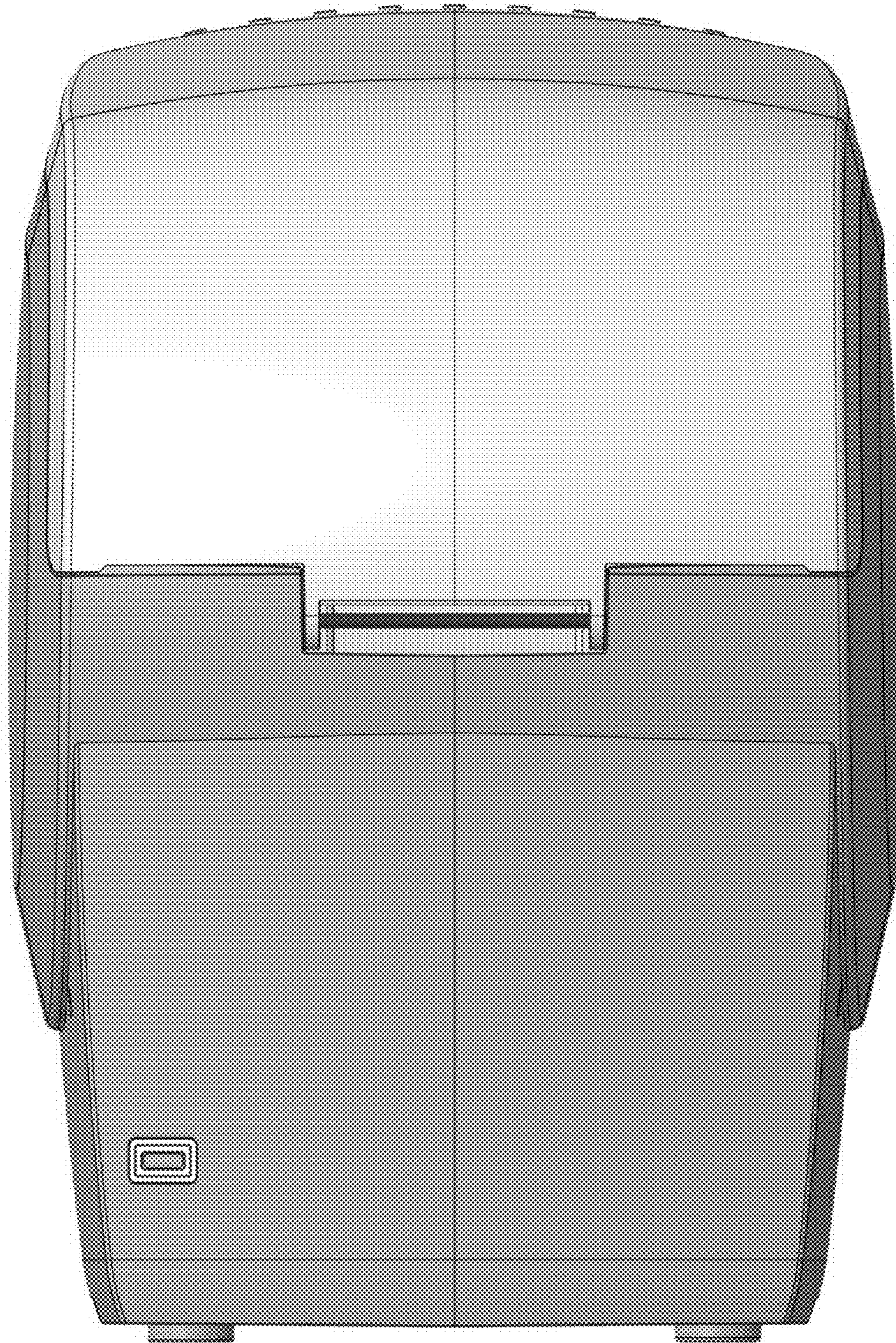
1.1



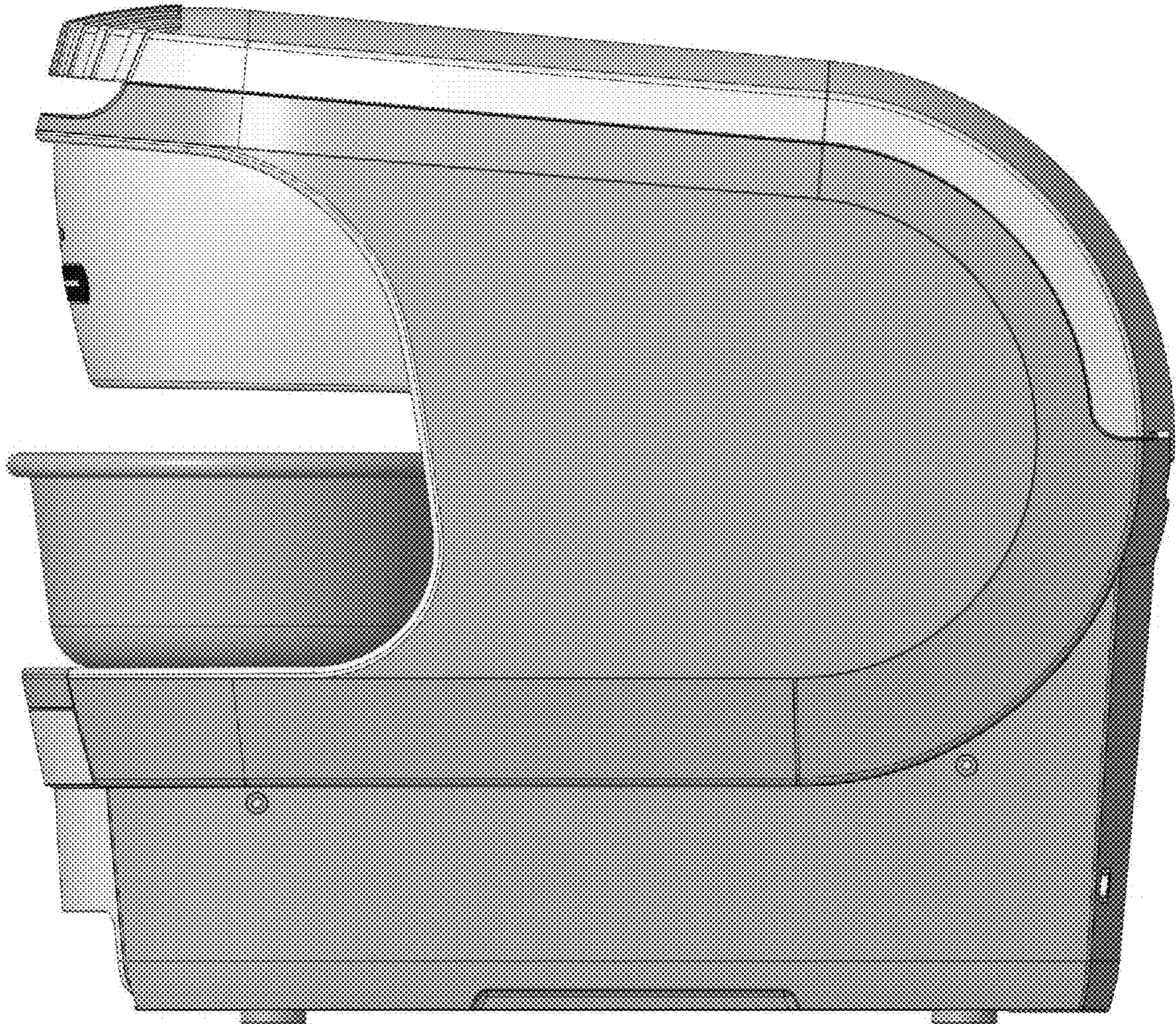
1.2



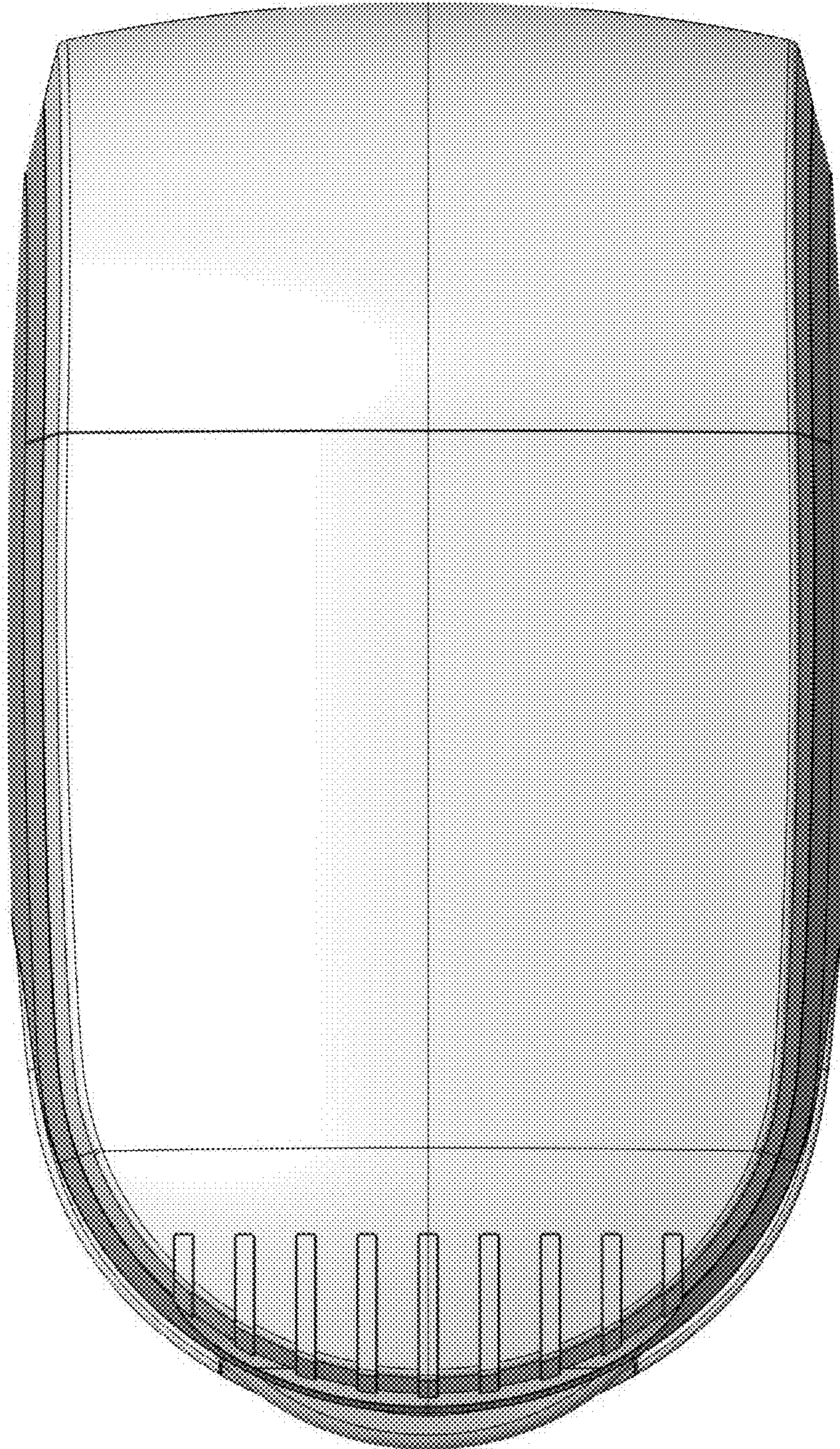
1.3



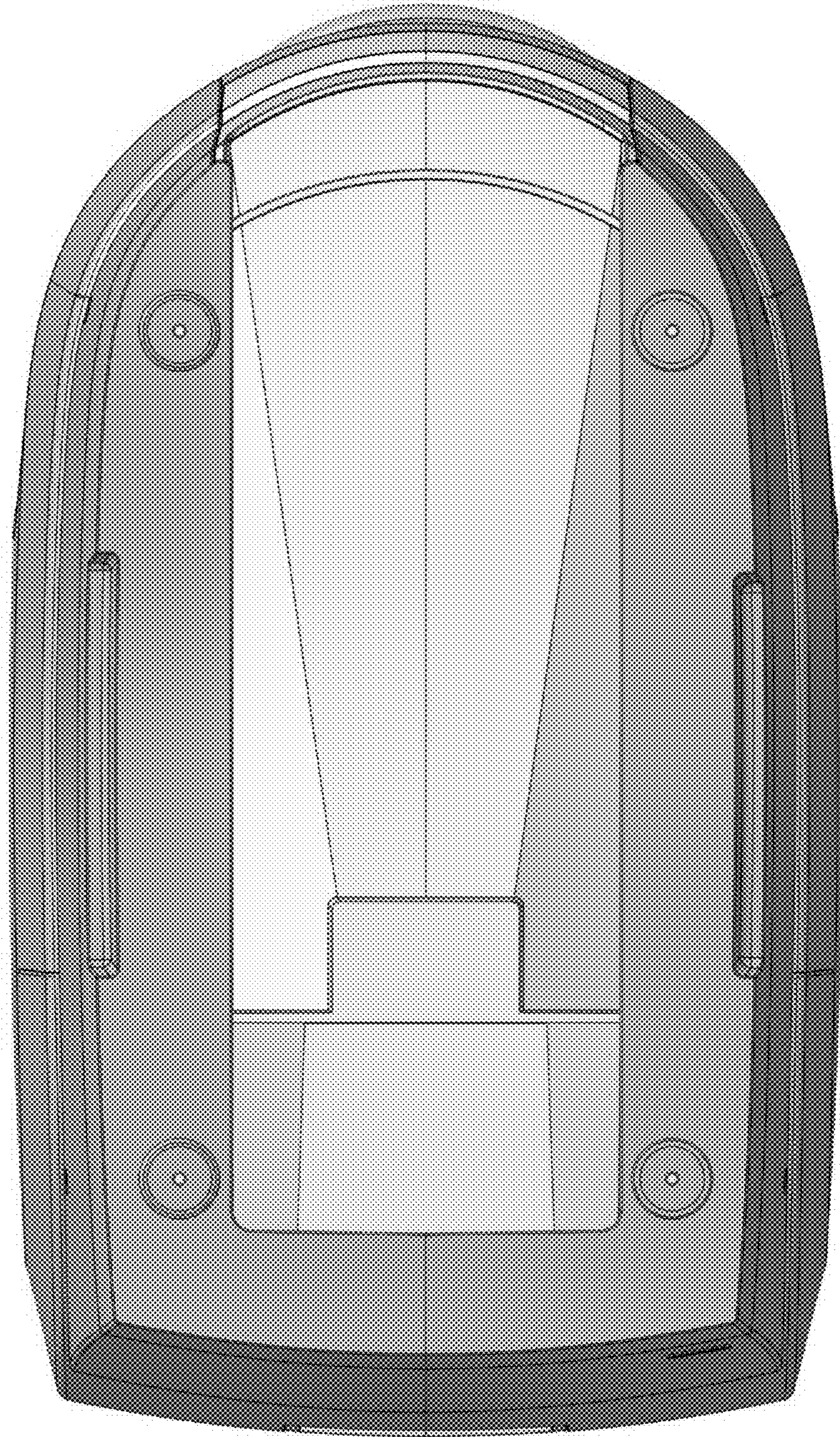
1.4



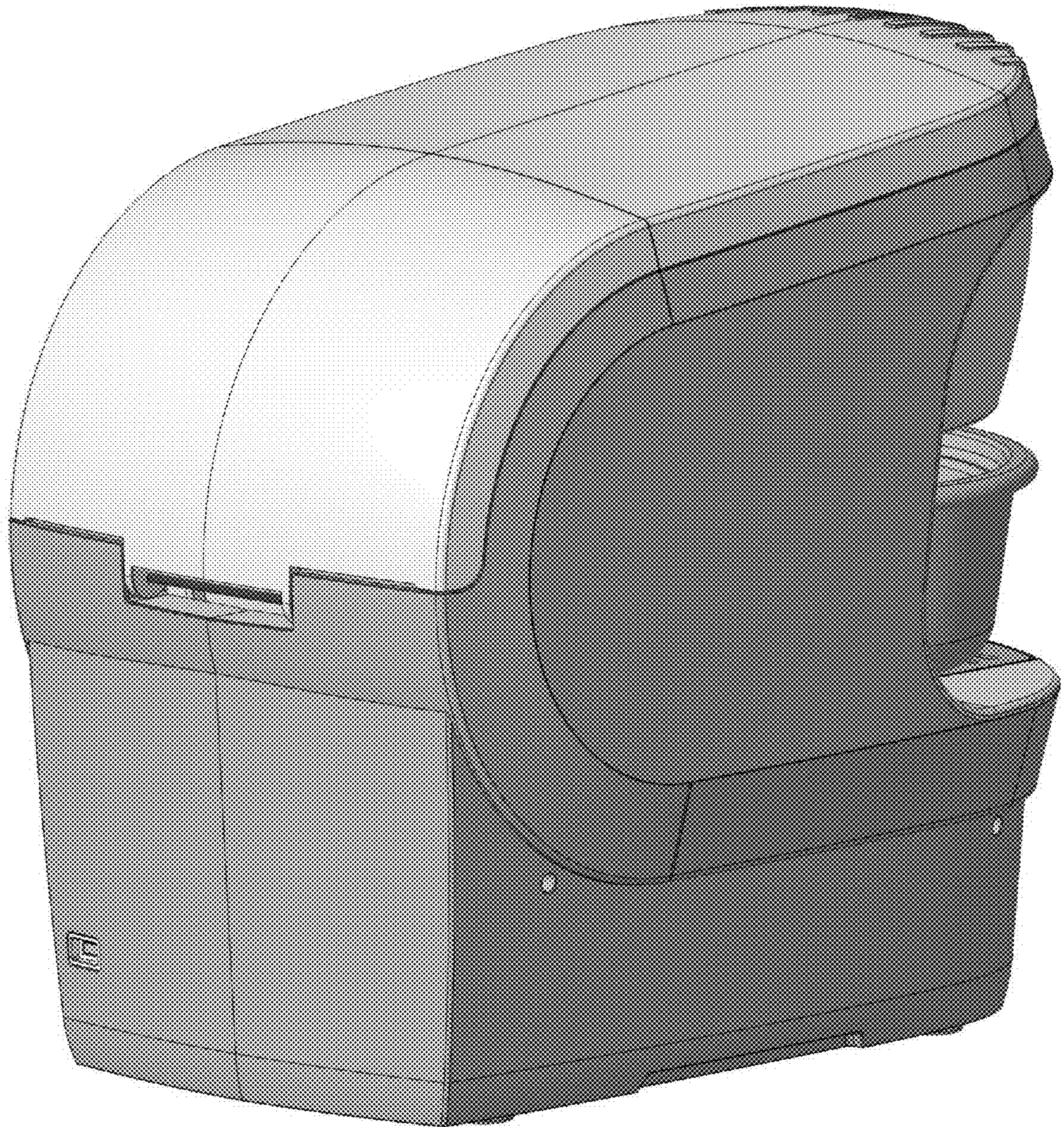
1.5



1.6



1.7





1.8

