



US00D956828S

(12) **United States Design Patent** (10) **Patent No.:** **US D956,828 S**
Stanley et al. (45) **Date of Patent:** **** Jul. 5, 2022**

(54) **LAND CLEARING TOOL INTERFACE**

(56) **References Cited**

(71) Applicant: **Fecon, LLC**, Lebanon, OH (US)

U.S. PATENT DOCUMENTS

(72) Inventors: **Jeffrey Stanley**, Lebanon, OH (US);
Robert Hentz, Hamilton, OH (US)

833,797 A	10/1906	Ollrich
1,905,384 A	4/1933	Jass
2,131,947 A	10/1938	Gilmore
2,242,808 A	5/1941	Austin
2,560,413 A	7/1951	Carlson
3,049,824 A	8/1962	McIninch
3,203,488 A	8/1965	Eastwood, III

(73) Assignee: **Fecon, LLC**, Lebanon, OH (US)

(**) Term: **15 Years**

(Continued)

(21) Appl. No.: **29/764,864**

FOREIGN PATENT DOCUMENTS

(22) Filed: **Jan. 4, 2021**

FR	2866909 A1	9/2005
WO	2009105752 A2	8/2009

Related U.S. Application Data

OTHER PUBLICATIONS

(60) Division of application No. 29/650,678, filed on Jun. 8, 2018, now Pat. No. Des. 914,064, which is a division of application No. 29/611,032, filed on Jul. 18, 2017, now Pat. No. Des. 821,455, which is a division of application No. 29/571,065, filed on Jul. 14, 2016, now Pat. No. Des. 795,931, which is a division of application No. 29/560,329, filed on Apr. 5, 2016, now Pat. No. Des. 791,195, which is a division of application No. 29/466,991, filed on Sep. 13, 2013, now Pat. No. Des. 757,124, which is a continuation of application No. 12/918,677, filed as application No. PCT/US2009/034872 on Feb. 23, 2009, now Pat. No. 8,540,033.

International Search Report and Written Opinion received for International Application No. PCT/US2009/034872, dated Apr. 21, 2009, 8 pages.

(Continued)

Primary Examiner — Mark A Goodwin
(74) *Attorney, Agent, or Firm* — Ulmer & Berne LLP

(51) **LOC (13) Cl.** **15-03**

(57) **CLAIM**

(52) **U.S. Cl.**
USPC **D15/28**

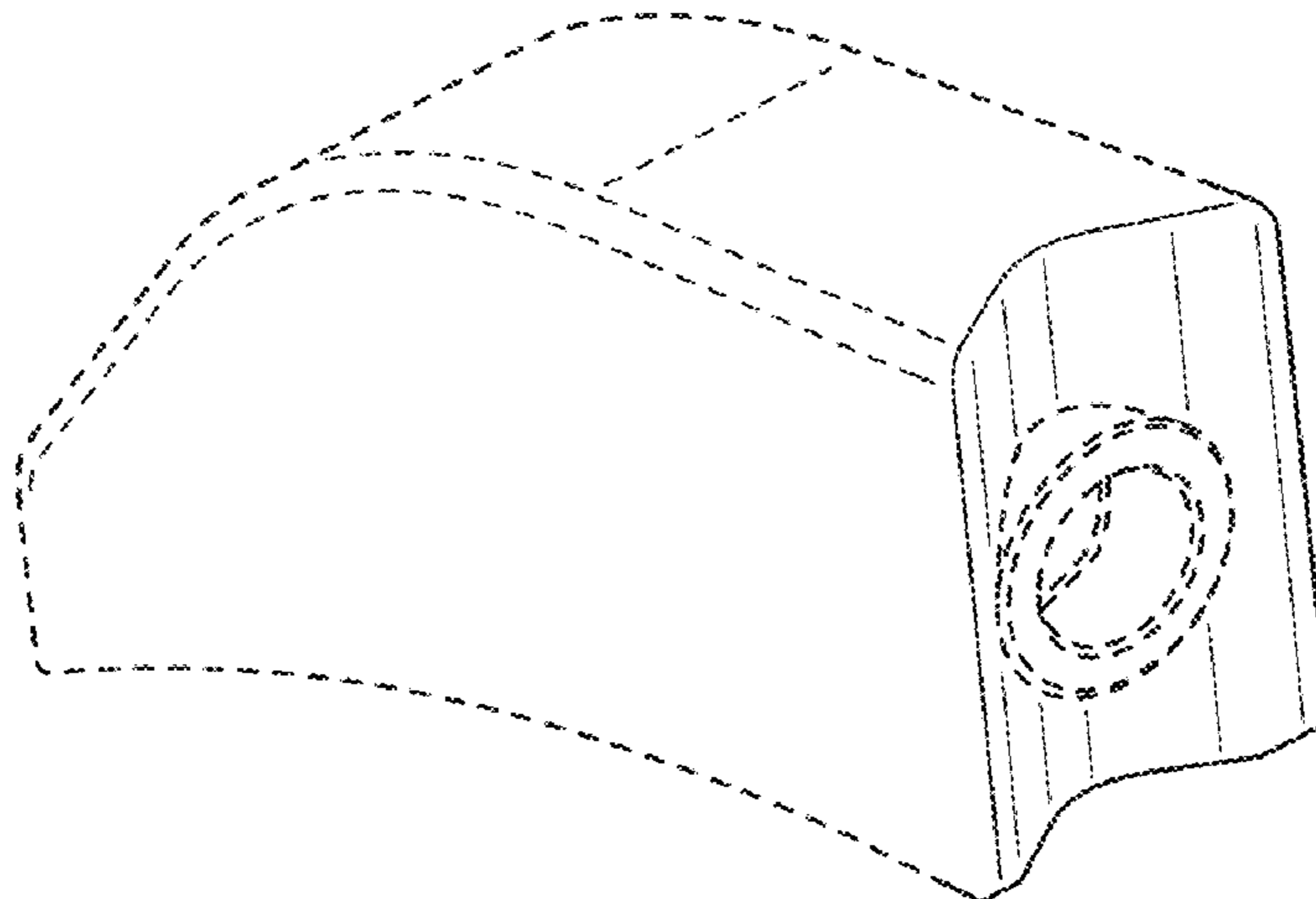
The ornamental design of a land clearing tool interface, as shown and described.

DESCRIPTION

(58) **Field of Classification Search**
USPC D15/20, 21, 28, 29; 172/548, 540, 122, 172/554; 241/294, 242, 300, 189, 194, 241/195; 37/454, 453, 456, 452; 404/121, 235, 24.12, 34.1, 4.1; 144/241, 144/235, 24.12, 34.1, 4.1; 83/840; 56/13.6
CPC E02F 9/2833; E02F 9/2841; E02F 9/28
See application file for complete search history.

FIG. 1 is a front, right, perspective view of a land clearing tool interface;
FIG. 2 is a rear, left perspective view thereof;
FIG. 3 is a top view thereof;
FIG. 4 is a right side view thereof, with a left side view being a mirror image of FIG. 4;
FIG. 5 is a bottom view thereof; and,
FIG. 6 is a front view thereof.

(Continued)



The broken line showing in the drawings is included for the purpose of illustrating portions of the land clearing tool interface and forms no part of the claimed design.

1 Claim, 2 Drawing Sheets

(56)

References Cited

U.S. PATENT DOCUMENTS

3,274,908	A	9/1966	Grant et al.
3,277,802	A	10/1966	Petersen
3,358,569	A	12/1967	Averette
3,490,117	A	1/1970	Hertel
3,642,214	A	2/1972	Blackwell, Jr.
3,774,324	A	11/1973	LaFond
3,837,408	A	9/1974	Green
3,850,375	A	11/1974	Ford
4,231,406	A	11/1980	Jonsson
4,329,091	A	5/1982	Erkfritz
4,667,713	A	5/1987	Wright
4,668,122	A	5/1987	Riddle
4,682,916	A	7/1987	Briese
4,709,737	A	12/1987	Jonsson
4,727,664	A	3/1988	Hemphill
4,782,774	A	11/1988	Clarke
4,813,491	A	3/1989	Gross
4,826,090	A	5/1989	Orphall
4,842,337	A	6/1989	Southern
4,891,858	A	1/1990	Wachter
4,918,843	A	4/1990	Kiesewetter et al.
4,919,566	A	4/1990	Caron et al.
4,932,447	A	6/1990	Morin
H946	H	8/1991	Lonn
5,077,918	A	1/1992	Garman
5,211,212	A	5/1993	Carlson et al.
5,259,692	A	11/1993	Beller et al.
5,423,138	A	6/1995	Livesay et al.
5,484,110	A	1/1996	Doppstadt
5,503,339	A	4/1996	Doppstadt
5,644,965	A	7/1997	MacLennan et al.
5,873,534	A	2/1999	Shinn
5,875,980	A	3/1999	Schmid
6,024,143	A	2/2000	Ritchey
6,045,072	A	4/2000	Zehr
6,047,749	A	4/2000	Lamb
D424,076	S	5/2000	Dibbern et al.
6,059,373	A	5/2000	Wright et al.
6,089,480	A	7/2000	Rawlings
D435,571	S	12/2000	Dibbern et al.
6,176,445	B1	1/2001	Shinn
6,193,430	B1	2/2001	Culpepper et al.
6,247,757	B1	6/2001	Cochran
D446,224	S	8/2001	Clendenning
D447,154	S	8/2001	Clendenning
6,394,378	B1	5/2002	Ragnarsson
6,422,495	B1	7/2002	De Boef et al.
6,435,434	B1	8/2002	Monyak
6,502,609	B1	1/2003	Guels
6,517,274	B1	2/2003	Watanabe et al.
6,536,322	B1	3/2003	Butler et al.
6,682,262	B2	1/2004	Caron et al.
D486,503	S	2/2004	East
6,708,431	B2	3/2004	Robinson et al.
6,712,551	B2	3/2004	Livesay et al.
D488,174	S	4/2004	East

6,725,758	B2	4/2004	MacLennan et al.
6,764,035	B2	7/2004	Denis et al.
6,810,783	B1	11/2004	Larose
6,837,453	B2	1/2005	Sturm
7,108,452	B2	9/2006	Caron et al.
7,150,215	B2	12/2006	Krehel
7,222,808	B2	5/2007	Edwards
7,278,462	B2	10/2007	Purdy et al.
7,281,676	B1	10/2007	Bennington
D567,832	S	4/2008	Edwards
7,380,576	B2	6/2008	Pizzuto
7,448,567	B2	11/2008	Roozeboom et al.
7,578,462	B2	8/2009	Edwards
7,584,921	B1	9/2009	Bennington et al.
7,634,897	B2	12/2009	MacLennan et al.
7,713,006	B2	5/2010	MacLennan et al.
7,810,531	B2	10/2010	Labbé
7,828,026	B2	11/2010	MacLennan et al.
7,913,432	B2	3/2011	MacLennan et al.
7,938,350	B2	5/2011	Doppstadt et al.
7,967,044	B2	6/2011	Labbe et al.
7,980,278	B2	7/2011	Labbe et al.
D647,928	S	11/2011	MacLennan et al.
8,167,225	B2	5/2012	Gaudreault
8,167,226	B2	5/2012	Engnell
8,540,033	B2	9/2013	Stanley et al.
8,550,391	B2	10/2013	Denis et al.
8,550,392	B2	10/2013	Nakagawa
8,807,868	B2	8/2014	Schlenker et al.
8,807,869	B1	8/2014	Lee
8,893,997	B2	11/2014	Gaudreault
8,893,998	B2	11/2014	Midorikawa et al.
D757,124	S	5/2016	Stanley et al.
D772,951	S	11/2016	Stanley et al.
D791,195	S	7/2017	Stanley et al.
D795,929	S	8/2017	Stanley et al.
D795,931	S	8/2017	Stanley et al.
9,943,037	B2	4/2018	Stanley et al.
D821,455	S	6/2018	Stanley et al.
10,201,130	B2	2/2019	Stanley et al.
2002/0017580	A1	2/2002	Ragnarsson
2002/0190148	A1	12/2002	Roozeboom et al.
2003/0192299	A1	10/2003	Kaga et al.
2004/0016153	A1	1/2004	Pippins
2005/0001084	A1	1/2005	Pizzuto
2005/0098331	A1	5/2005	Edwards
2006/0272183	A1	12/2006	Kergen
2007/0193428	A1	8/2007	MacLennan et al.
2007/0194161	A1	8/2007	Doppstadt et al.
2007/0261762	A1	11/2007	Eriksson
2008/0283257	A1	11/2008	Edwards
2009/0014189	A1	1/2009	Stanley et al.
2010/0180735	A1	7/2010	MacLennan et al.
2011/0100658	A1	5/2011	Stanley et al.
2012/0032013	A1	2/2012	Rice et al.
2013/0099039	A1	4/2013	Gaudreault
2013/0277476	A1	10/2013	Doppstadt et al.
2015/0173310	A1	6/2015	Willibald
2016/0278298	A1	9/2016	Stanley et al.
2017/0079219	A1	3/2017	Stanley et al.
2017/0087558	A1	3/2017	Davis
2018/0199517	A1	7/2018	Stanley et al.

OTHER PUBLICATIONS

International Preliminary Report on Patentability received for International Application No. PCT/US2009/034872, dated Aug. 24, 2010, 7 pages.

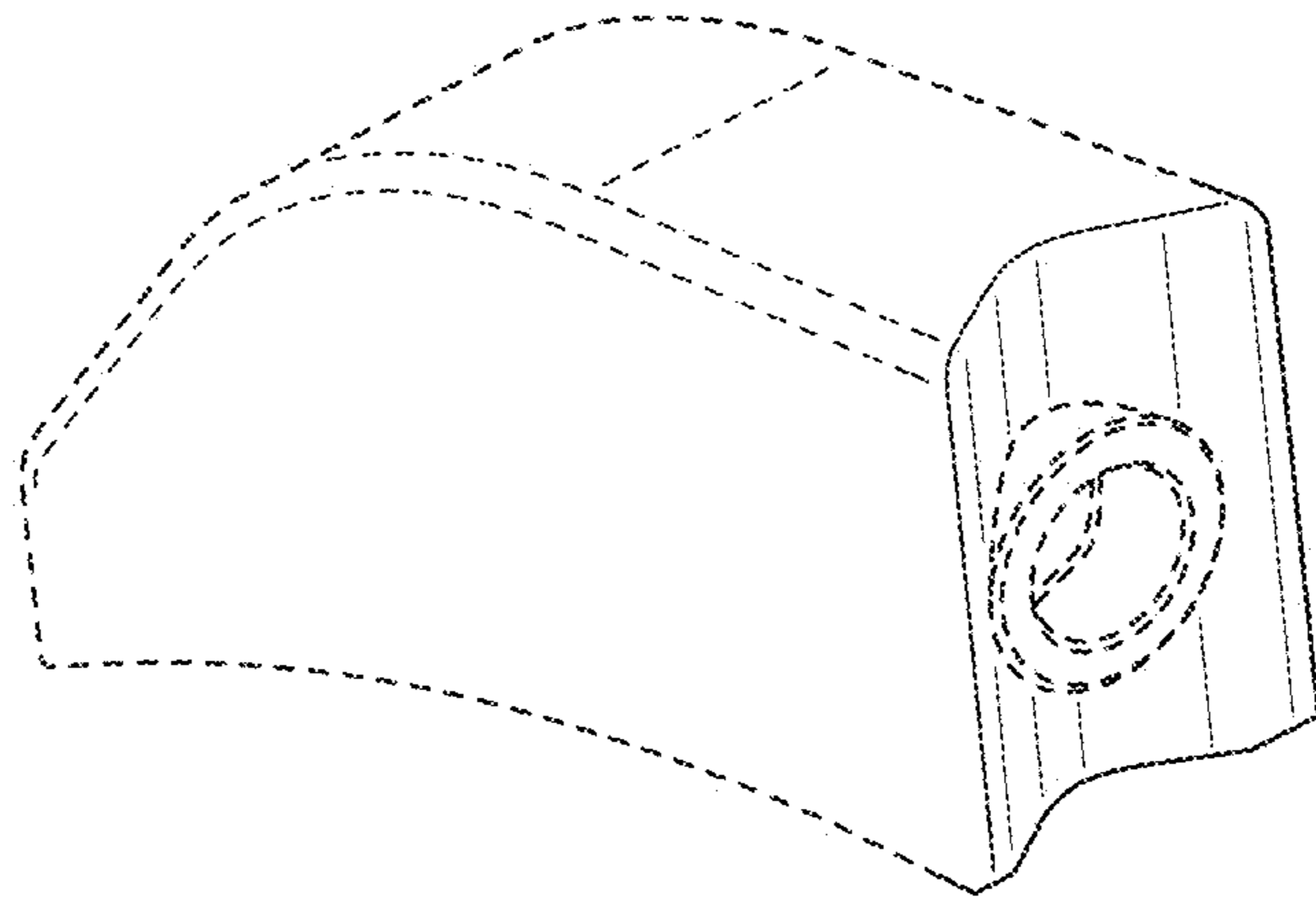


FIG. 1

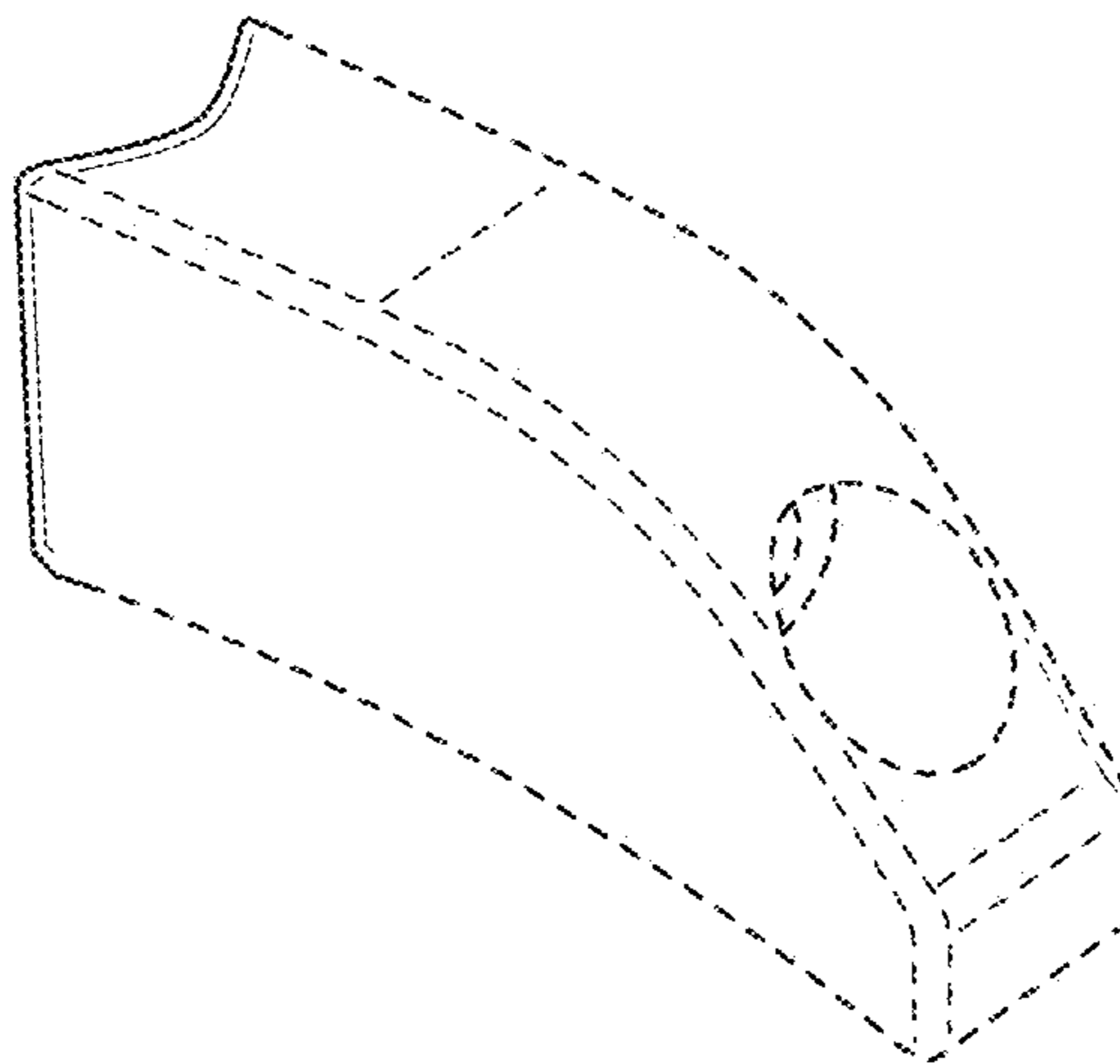


FIG. 2



FIG. 3

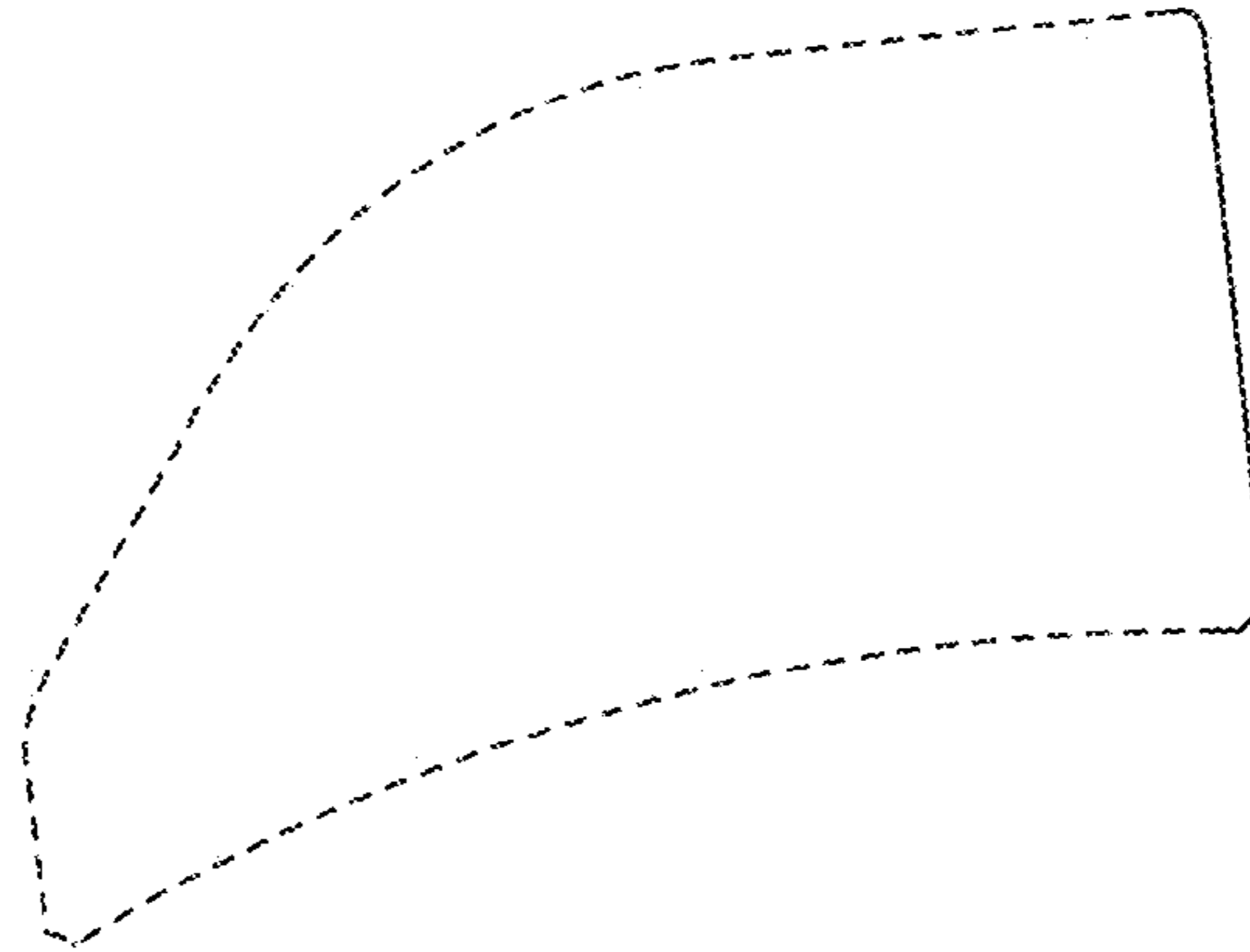


FIG. 4

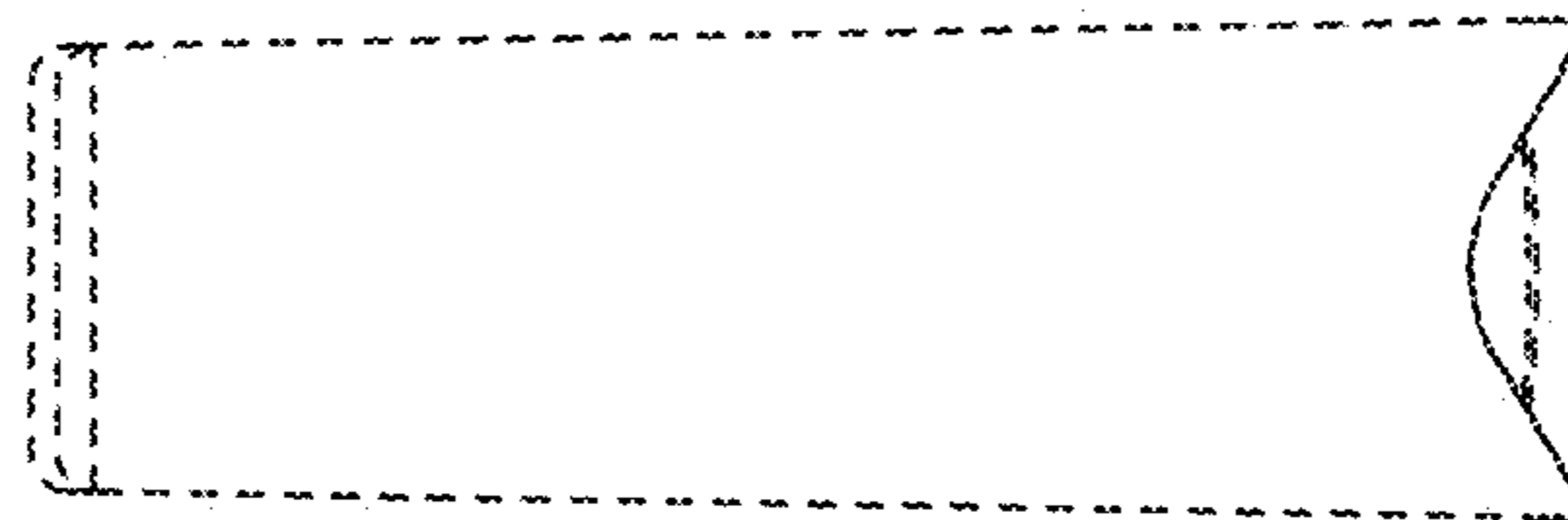


FIG. 5

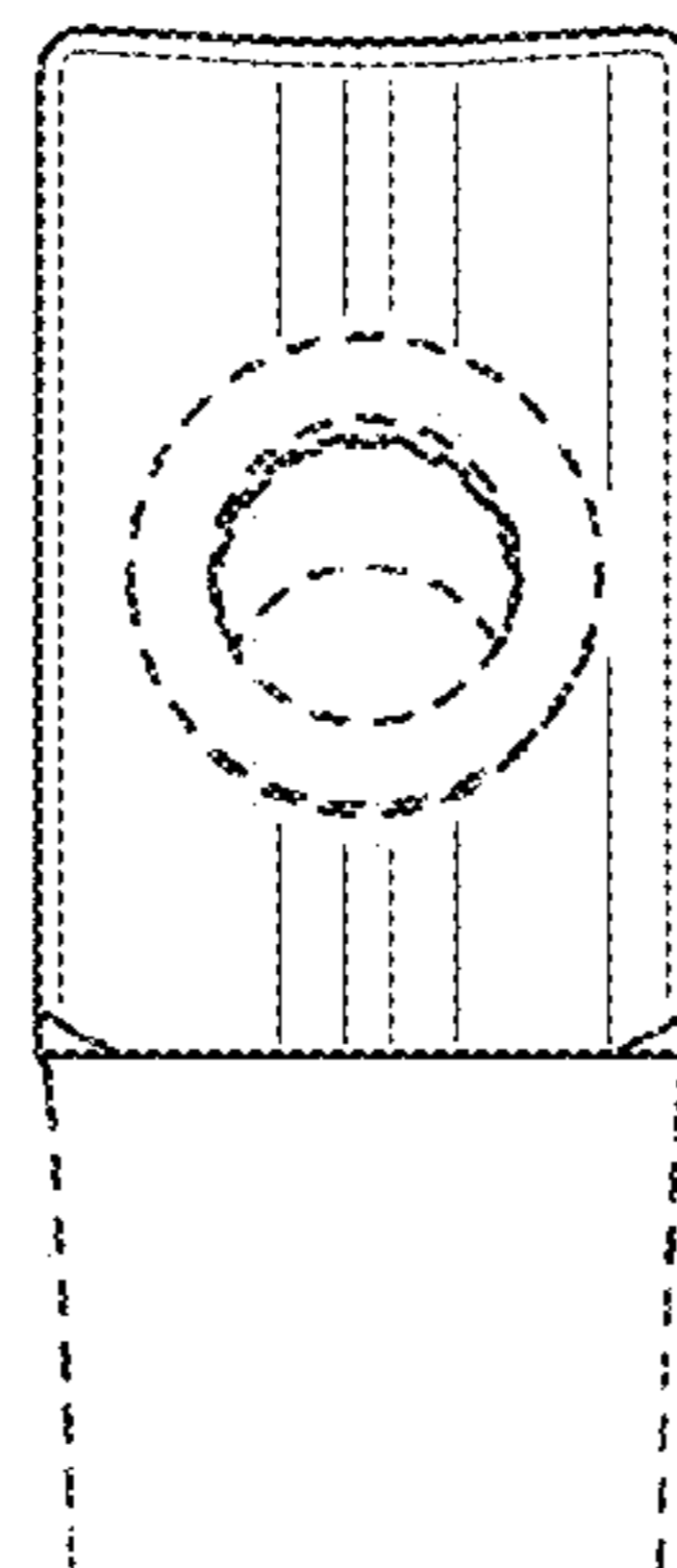


FIG. 6