



US00D956826S

(12) **United States Design Patent** (10) **Patent No.:** **US D956,826 S**
Costle et al. (45) **Date of Patent:** **** Jul. 5, 2022**

(54) **FLAT TIRE REPAIR KIT**

FOREIGN PATENT DOCUMENTS

(71) Applicant: **ILLINOIS TOOL WORKS INC.**,
Glenview, IL (US)

EP 2 058 112 A1 5/2009

(72) Inventors: **Carey Christopher Costle**, Tucson, AZ
(US); **Stephen Edward Richey**,
Greenville, SC (US)

OTHER PUBLICATIONS

(73) Assignee: **ILLINOIS TOOL WORKS INC.**,
Glenview, IL (US)

Slime Store, Slime 50122 Flat Tire Puncture Emergency Kit,
Includes Sealant and Tire Inflator Pump, (date first available Jun. 20,
2017), Amazon.com, URL:<<https://www.amazon.com/Slime-50122-Flat-Tire-Repair/dp/B0732BRRHZ>> (Year: 2017).*

(**) Term: **15 Years**

Primary Examiner — Calvin E Vansant

Assistant Examiner — Mark T. Philipps

(21) Appl. No.: **29/797,351**

(74) *Attorney, Agent, or Firm* — Pauley Erickson &
Swanson

(22) Filed: **Jun. 30, 2021**

(51) **LOC (13) Cl.** **15-02**

(57) **CLAIM**

(52) **U.S. Cl.**
USPC **D15/7**

The ornamental design for a flat tire repair kit, as shown and
described.

(58) **Field of Classification Search**
USPC D14/163, 165, 172, 203.3, 203.6, 497,
D14/499, 509, 510; D24/168, 186;
D15/7-9; D13/107, 109, 110, 111, 184
CPC F04B 53/14; F04B 53/92; F04B 33/00;
F04B 33/005; F04B 1/005; F04B 35/00;
F04B 35/06; F04B 35/002; F04B 35/86;
F04B 17/03; F04B 17/06; F04B 33/02;
F04B 41/00; F04B 41/02; F04B 41/04;
F04B 41/06; F04D 13/06; F04D 29/22;
F04D 29/046; F04D 29/2266; F16K
11/048; F16K 15/20; F16K 31/602
See application file for complete search history.

DESCRIPTION

FIG. 1 is a front perspective view of the flat tire repair kit,
according to the invention;
FIG. 2 is a front view of the flat tire repair kit shown in FIG.
1;
FIG. 3 is a rear view of the flat tire repair kit shown in FIG.
1;
FIG. 4 is a top view of the flat tire repair kit shown in FIG.
1;
FIG. 5 is a bottom view of the flat tire repair kit shown in
FIG. 1;
FIG. 6 is a side view of the flat tire repair kit shown in FIG.
1;
FIG. 7 is a side view, opposite the side view shown in FIG.
6, of the flat tire repair kit shown in FIG. 1; and,
FIG. 8 is a front perspective view, opposite the view shown
in FIG. 1, of the flat tire repair kit.
The broken lines depict portions of the flat tire repair kit that
form no part of the claimed design.

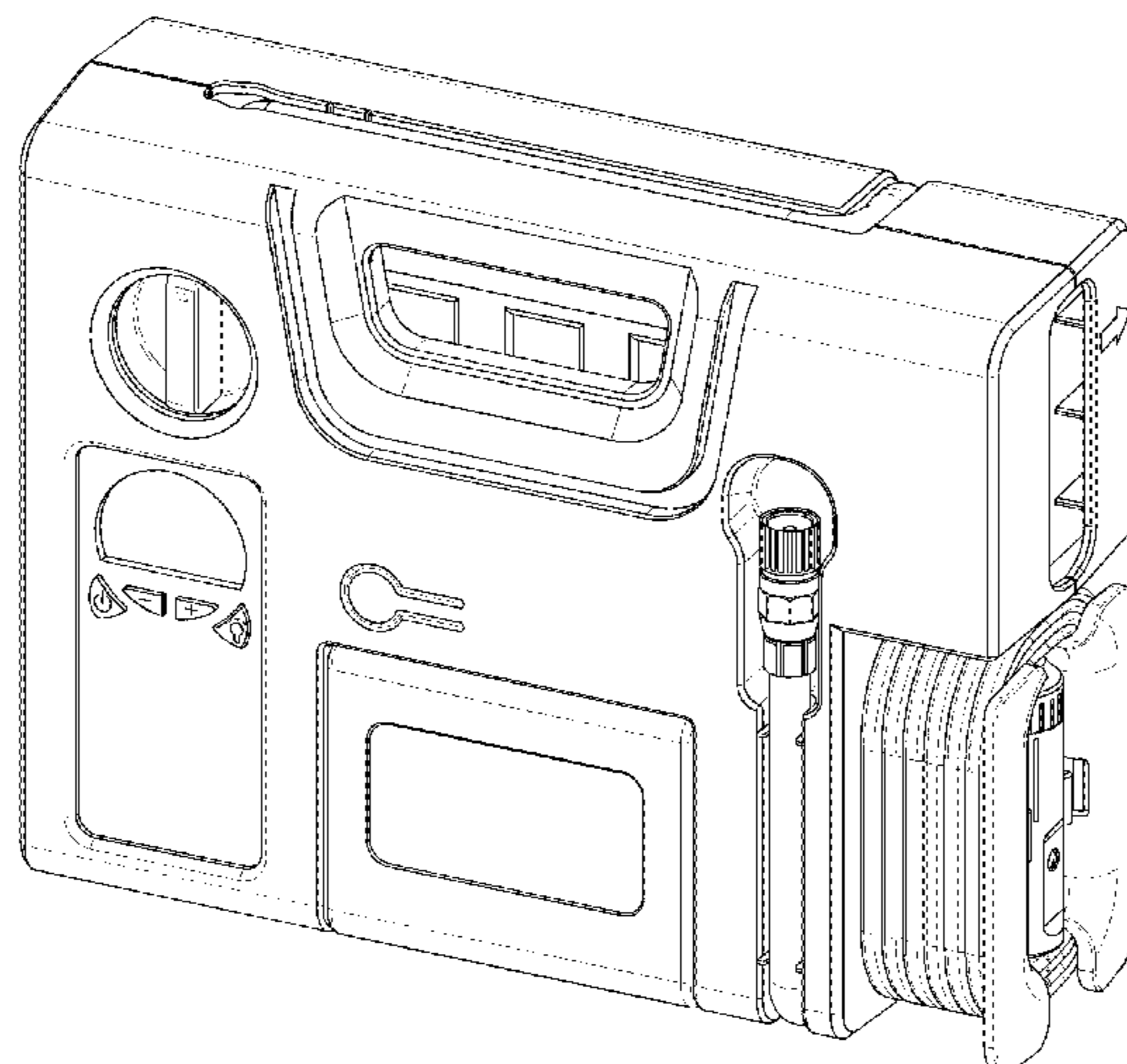
(56) **References Cited**

U.S. PATENT DOCUMENTS

D499,426 S * 12/2004 Chou D15/7
D582,945 S * 12/2008 Chou D15/9
D627,795 S * 11/2010 Eckhardt D15/9
D629,424 S * 12/2010 Eckhardt D15/9
D644,252 S * 8/2011 Kojima D15/9
D657,801 S * 4/2012 Eckhardt D15/9

(Continued)

1 Claim, 8 Drawing Sheets



(56)

References Cited

U.S. PATENT DOCUMENTS

8,146,622 B2 *	4/2012	Guan	B60C 29/062				
								141/38
D665,167 S	8/2012	Haener et al.						
D665,427 S *	8/2012	Inskeep	D15/9				
D668,685 S	10/2012	Haener						
D670,313 S *	11/2012	Ohm	D15/7				
D672,367 S *	12/2012	Stansbury	D15/7				
D672,368 S *	12/2012	Wong	D15/9				
D678,351 S *	3/2013	Wong	D15/9				
D701,887 S	4/2014	Haener						
D703,241 S *	4/2014	Eckhardt	D15/9				
D722,618 S *	2/2015	Wong	D15/9				
D723,588 S *	3/2015	Wang	D15/9				
8,978,716 B2 *	3/2015	Chou	B60S 5/043				
								141/38
D727,972 S *	4/2015	Jhou	D15/9				
D727,973 S *	4/2015	Jhou	D15/9				
9,027,608 B2 *	5/2015	Chou	B29C 73/166				
								141/38
D734,367 S *	7/2015	Jhou	D15/9				
D737,864 S *	9/2015	Jhou	D15/9				
D751,120 S *	3/2016	Spindler	D15/9				
D751,121 S *	3/2016	Spindler	D15/9				
D754,209 S *	4/2016	Chou	D15/7				
9,302,654 B2 *	4/2016	Spindler	B60S 5/04				
D806,133 S	12/2017	Costle et al.						
9,868,420 B2 *	1/2018	Chou	F04B 35/04				
9,879,665 B2 *	1/2018	Chou	F04B 35/04				
D814,524 S *	4/2018	Costle	D15/7				
9,957,966 B2 *	5/2018	Chou	F04D 29/522				
D823,364 S *	7/2018	Yoshida	D15/199				
10,077,770 B2 *	9/2018	Chou	F04B 53/08				
D866,605 S *	11/2019	Chou	D15/9				
D866,606 S *	11/2019	Chou	D15/9				
D881,238 S *	4/2020	Hong	D15/9				
D881,945 S	4/2020	Richey et al.						
D881,946 S	4/2020	Richey et al.						
D886,874 S *	6/2020	Kan	D15/9				
2014/0209207 A1 *	7/2014	Spindler	B29C 73/166				
								141/38
2015/0197066 A1 *	7/2015	Wong	B29C 73/166				
								141/38
2016/0288434 A1 *	10/2016	Eckhardt	B60C 29/064				
2017/0313001 A1 *	11/2017	Petrelli	B29C 73/025				
2018/0211572 A1 *	7/2018	Leuthe	G09F 3/00				
2018/0333927 A1 *	11/2018	Spindler	B29C 73/025				
2018/0333928 A1 *	11/2018	Hamatani	B29C 73/166				

* cited by examiner

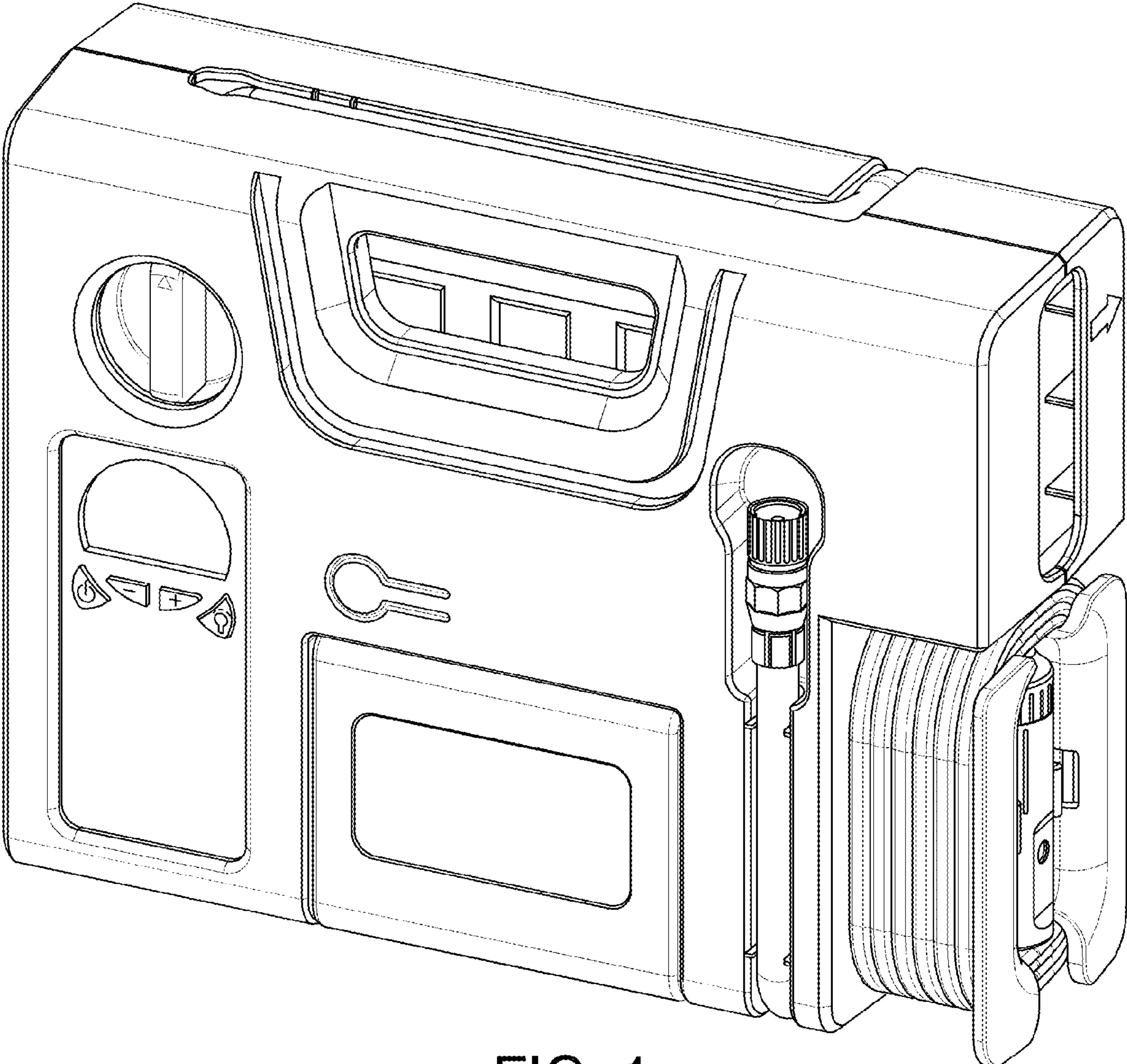


FIG. 1

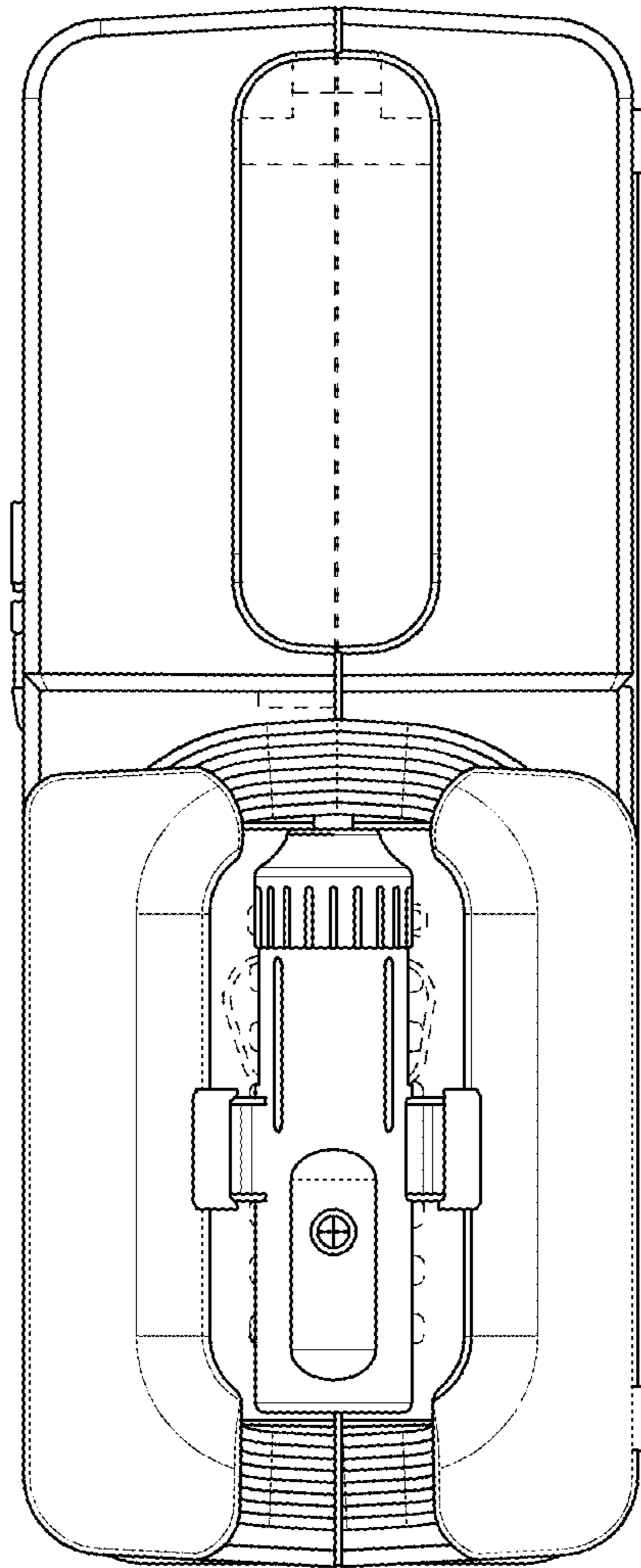


FIG. 2

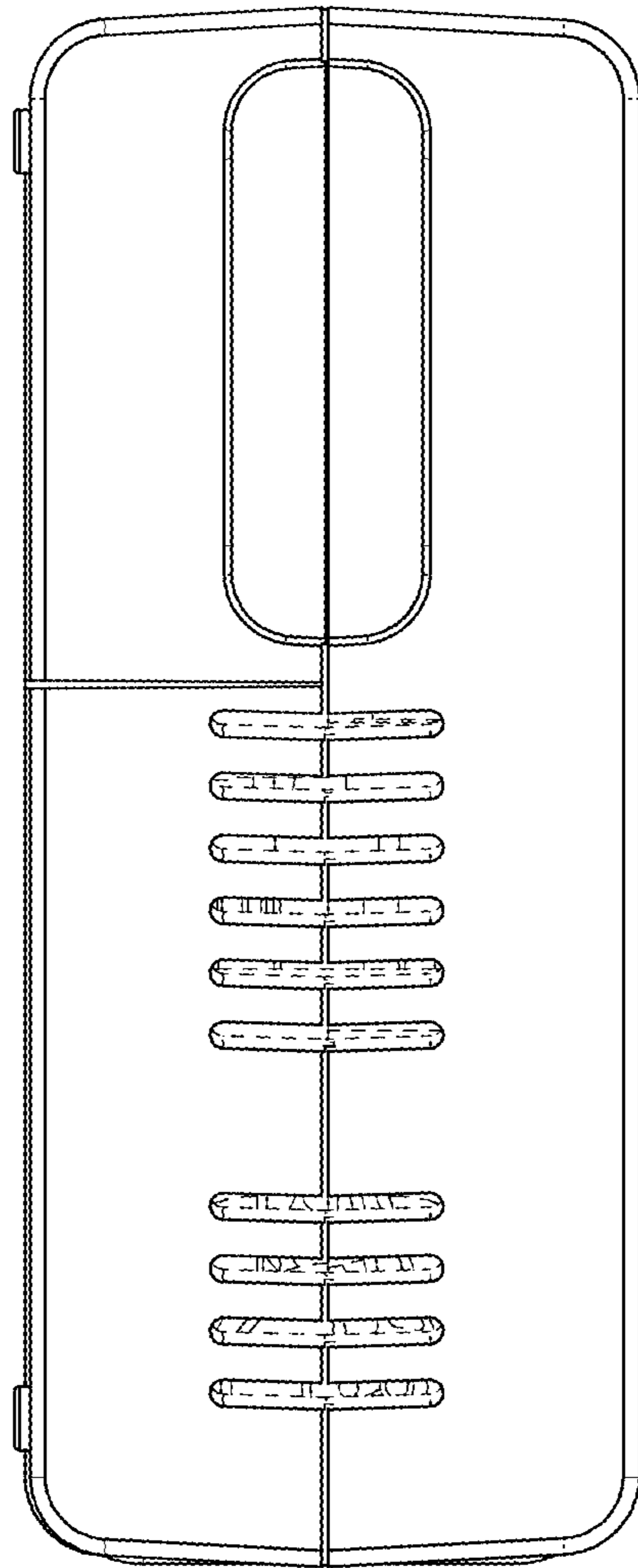


FIG. 3

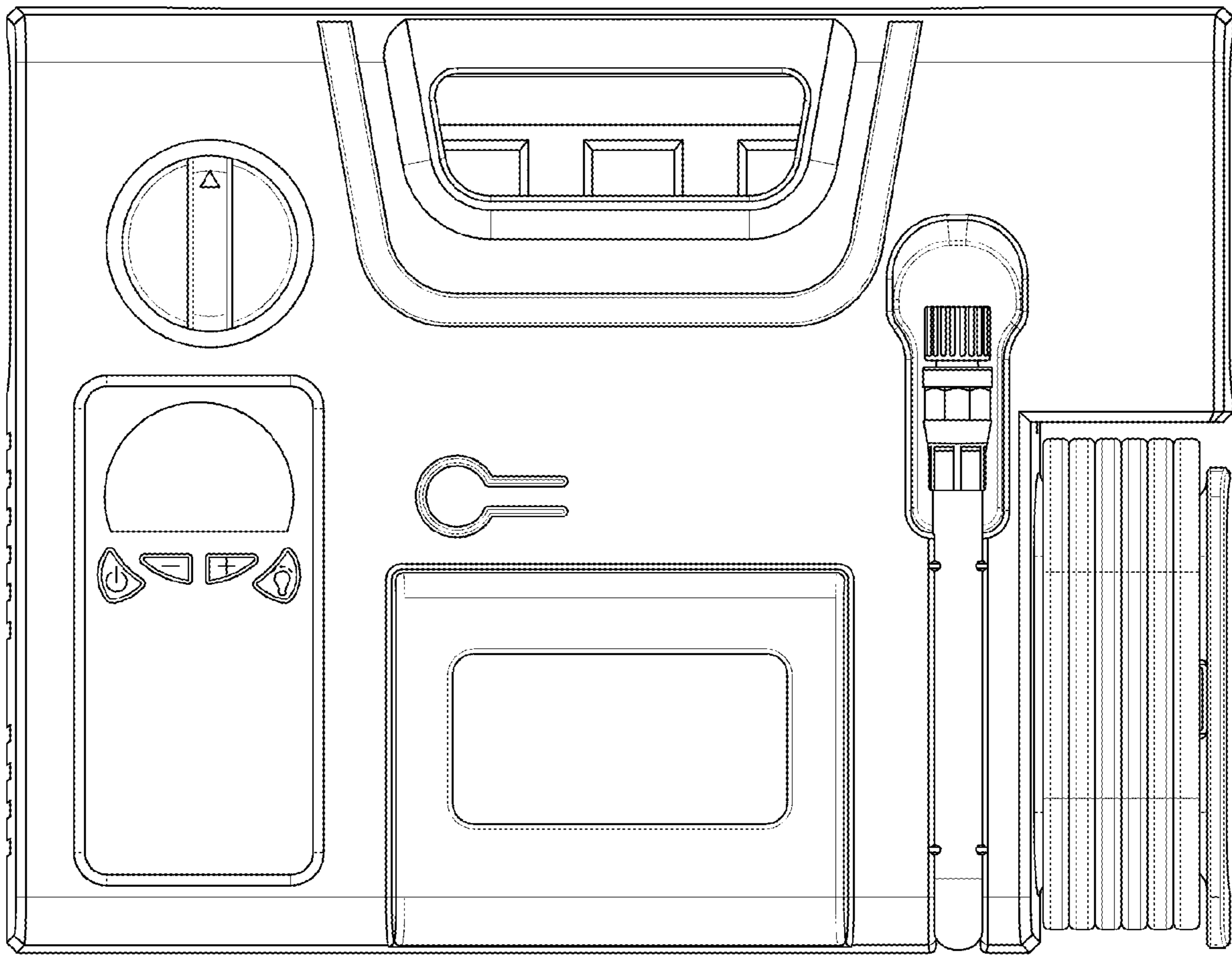


FIG. 4

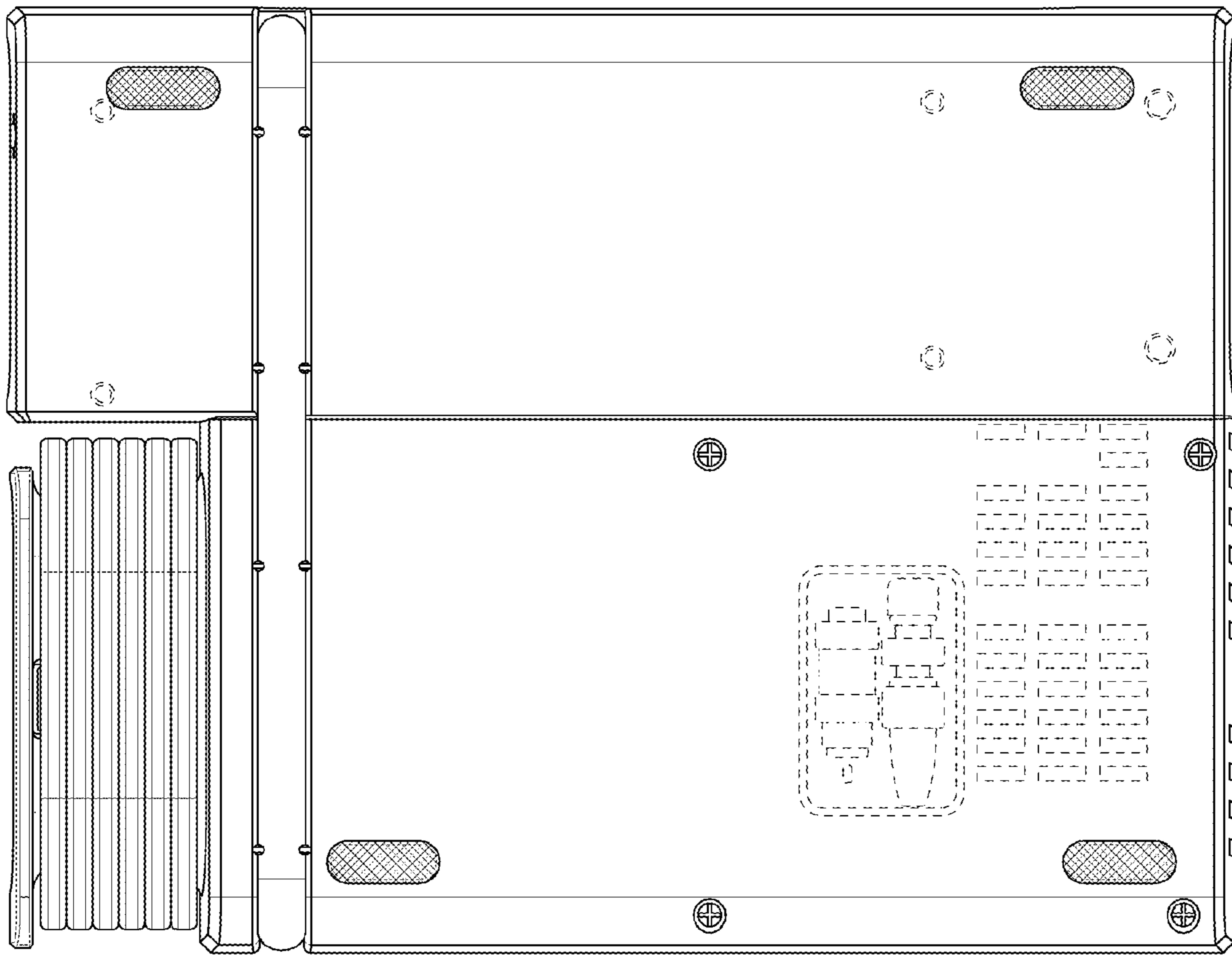


FIG. 5

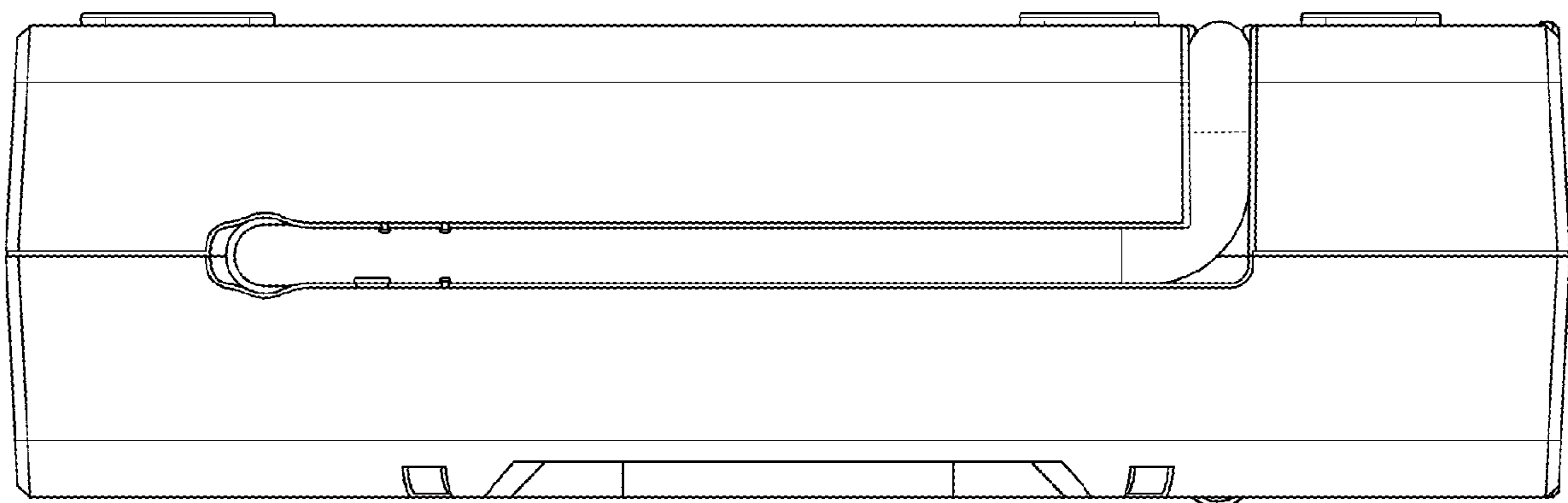


FIG. 6

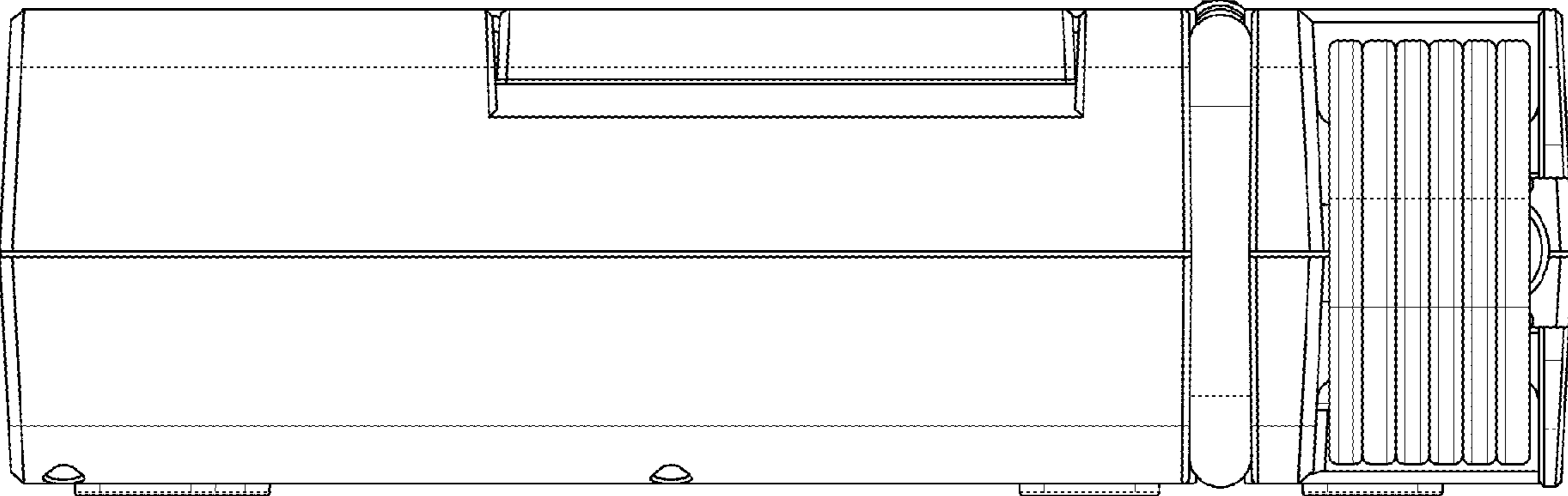


FIG. 7

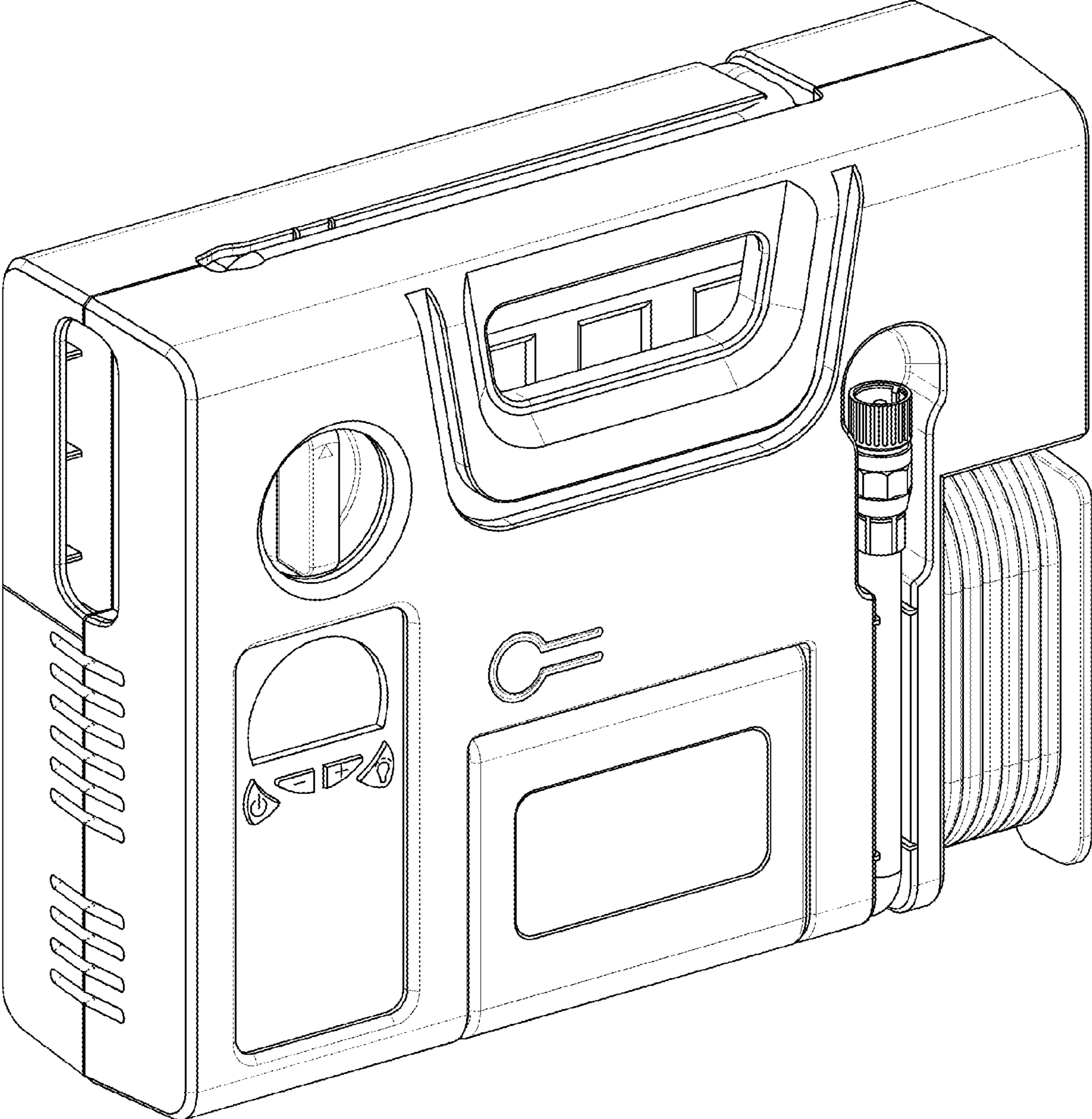


FIG. 8