



US00D956824S

(12) **United States Design Patent**  
**Richey et al.**

(10) **Patent No.:** **US D956,824 S**

(45) **Date of Patent:** **\*\* Jul. 5, 2022**

(54) **INFLATOR**

(71) Applicant: **ILLINOIS TOOL WORKS INC.**,  
Glenview, IL (US)

(72) Inventors: **Stephen Edward Richey**, Atascadero,  
CA (US); **Carey Christopher Costle**,  
Tucson, AZ (US)

(73) Assignee: **ILLINOIS TOOL WORKS INC.**,  
Glenview, IL (US)

(\*\*) Term: **15 Years**

(21) Appl. No.: **29/749,843**

(22) Filed: **Sep. 9, 2020**

(51) **LOC (13) Cl.** ..... **15-02**

(52) **U.S. Cl.**  
USPC ..... **D15/7**

(58) **Field of Classification Search**  
USPC ..... D14/163, 165, 172, 203.3, 203.6, 497,  
D14/499, 509, 510; D24/168, 186;  
D15/7-9; D13/107, 109, 110, 111, 184  
CPC ..... F04B 53/14; F04B 53/92; F04B 33/00;  
F04B 33/005; F04B 1/005; F04B 35/00;  
F04B 35/06; F04B 35/002; F04B 35/86;  
F04B 17/03; F04B 17/06; F04B 33/02;  
F04B 41/00; F04B 41/02; F04B 41/04;  
F04B 41/06; F04D 13/06; F04D 29/22;  
F04D 29/046; F04D 29/2266; F16K  
11/048; F16K 15/20; F16K 31/602  
See application file for complete search history.

(56) **References Cited**

**U.S. PATENT DOCUMENTS**

D296,104 S	*	6/1988	Hung	.....	D15/9
D340,726 S	*	10/1993	Wang	.....	D15/7
D407,413 S	*	3/1999	Wang	.....	D15/9
D434,423 S	*	11/2000	Wang	.....	D15/9
D466,908 S	*	12/2002	Poon	.....	D15/7
D485,281 S	*	1/2004	Hsiao	.....	D15/9

D534,287 S	*	12/2006	Krieger	.....	D26/38
D540,825 S	*	4/2007	Wang	.....	D15/9
D540,826 S	*	4/2007	Wang	.....	D15/9
D541,309 S	*	4/2007	Wang	.....	D15/9
D597,105 S	*	7/2009	Geisler	.....	D15/9
D611,962 S	*	3/2010	Schneider	.....	D15/9
D626,970 S	*	11/2010	Moser	.....	D15/9
D627,370 S	*	11/2010	Moser	.....	D15/9

(Continued)

**OTHER PUBLICATIONS**

ITW Global Brands, Slime Expert Heavy-Duty 12v Tire Inflator—  
40068, (site visited Nov. 18, 2021), Walmart.com website, URL:<<https://www.walmart.com/ip/Slime-Expert-Heavy-Duty-12v-Tire-Inflator-40068/606107923?wmlspartner=wlpa&selectedSellerId=0&wl13=5867&&adid=%E2%80%A6>> (Year: 2021).\*

(Continued)

*Primary Examiner* — Calvin E Vansant

*Assistant Examiner* — Mark T. Philipps

(74) *Attorney, Agent, or Firm* — Pauley Erickson &  
Swanson

(57) **CLAIM**

The ornamental design for an inflator, as shown and  
described.

**DESCRIPTION**

FIG. 1 is a perspective view of the inflator, according to the  
invention;

FIG. 2 is a front view of the inflator shown in FIG. 1;

FIG. 3 is a rear view of the inflator shown in FIG. 1;

FIG. 4 is a side view of the inflator shown in FIG. 1;

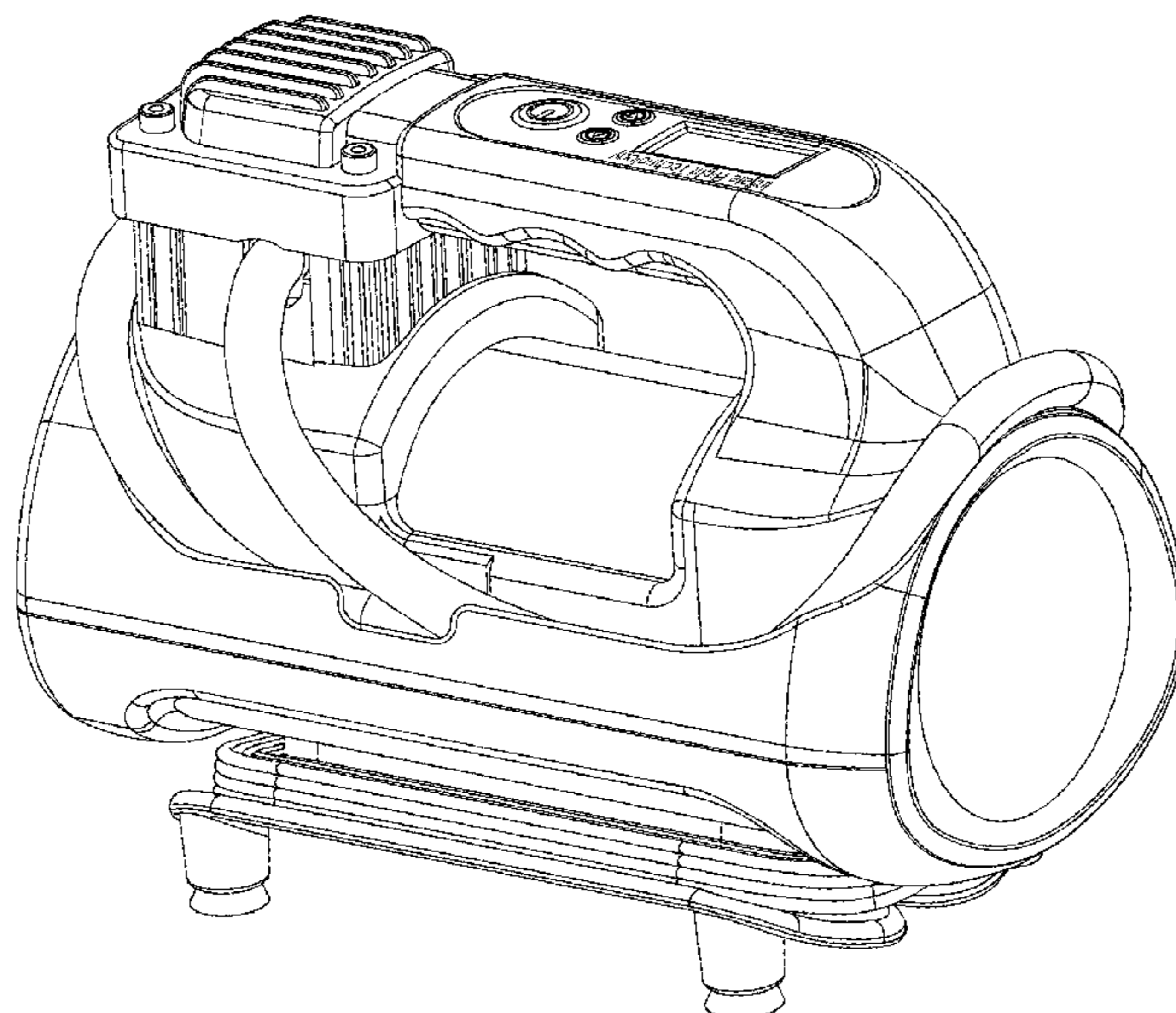
FIG. 5 is a side view, opposite the side view shown in FIG.  
4, of the inflator shown in FIG. 1;

FIG. 6 is a top view of the inflator shown in FIG. 1; and,

FIG. 7 is a bottom view of the inflator shown in FIG. 1.

The broken lines depict portions of the inflator that form no  
part of the claimed design.

**1 Claim, 7 Drawing Sheets**



(56)

**References Cited**

U.S. PATENT DOCUMENTS

D658,208	S	*	4/2012	Moser, III	.....	D15/9
D665,167	S		8/2012	Haener et al.		
D668,685	S		10/2012	Haener		
D672,367	S		12/2012	Stansbury et al.		
D684,999	S	*	6/2013	Osaka	.....	D15/7
D701,887	S		4/2014	Haener		
D707,719	S	*	6/2014	Kamijyo	.....	D15/7
D774,102	S		12/2016	Ellman et al.		
D803,270	S	*	11/2017	Chen	.....	D15/9
D806,133	S	*	12/2017	Costle	.....	D15/9
D896,281	S	*	9/2020	Long	.....	D15/9
D916,139	S	*	4/2021	Fan	.....	D15/7

OTHER PUBLICATIONS

Slime Store, Slime 40031 Pro Power Heavy Duty Tire Inflator, (dated first available Nov. 6, 2013), Amazon.com, URL:<<https://www.amazon.com/Slime-40031-Power-Heavy-Inflator/dp/B00BSG2YE0>> (Year: 2013).\*

Avid Power Store, Avid Power Tire Inflator Air Compressor, 12V DC Car Tire Pump with Fast Inflation, (date first available May 26, 2019), Amazon.com, URL:<<https://www.amazon.com/Avid-Power-Inflator-Compressor-Inflation/dp/B0885R2482>> (Year: 2019).\*

\* cited by examiner

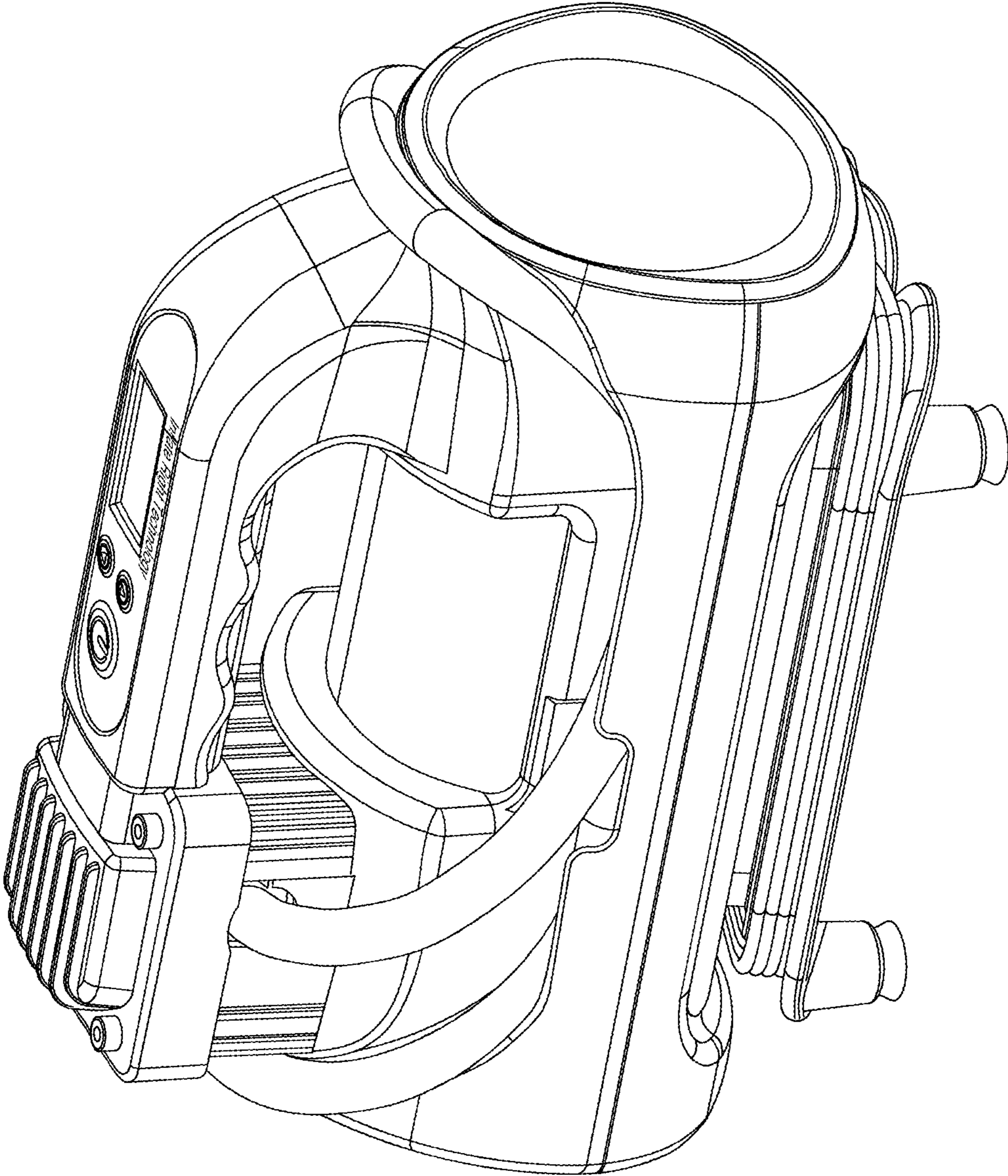


FIG. 1

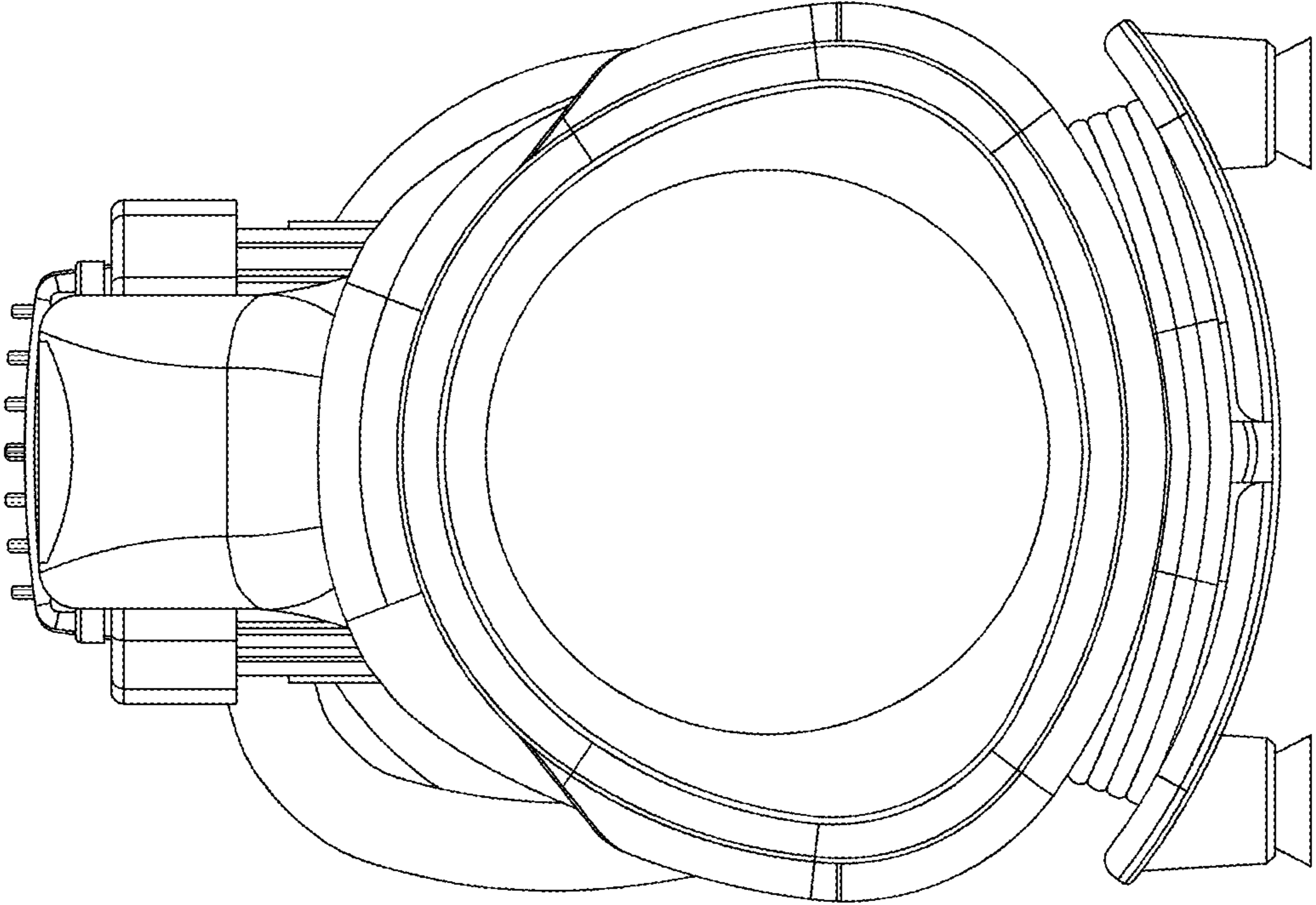


FIG. 2

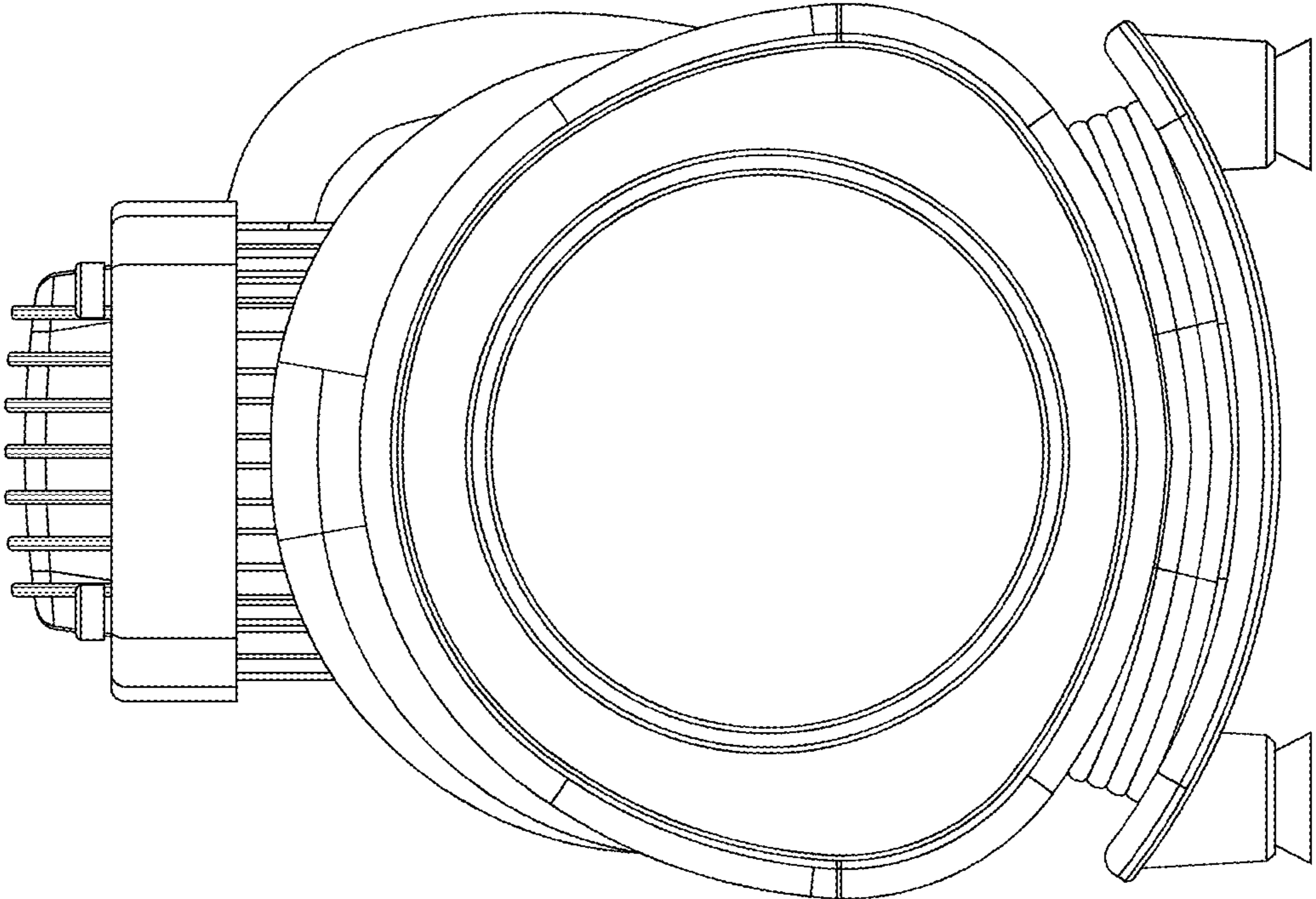


FIG. 3

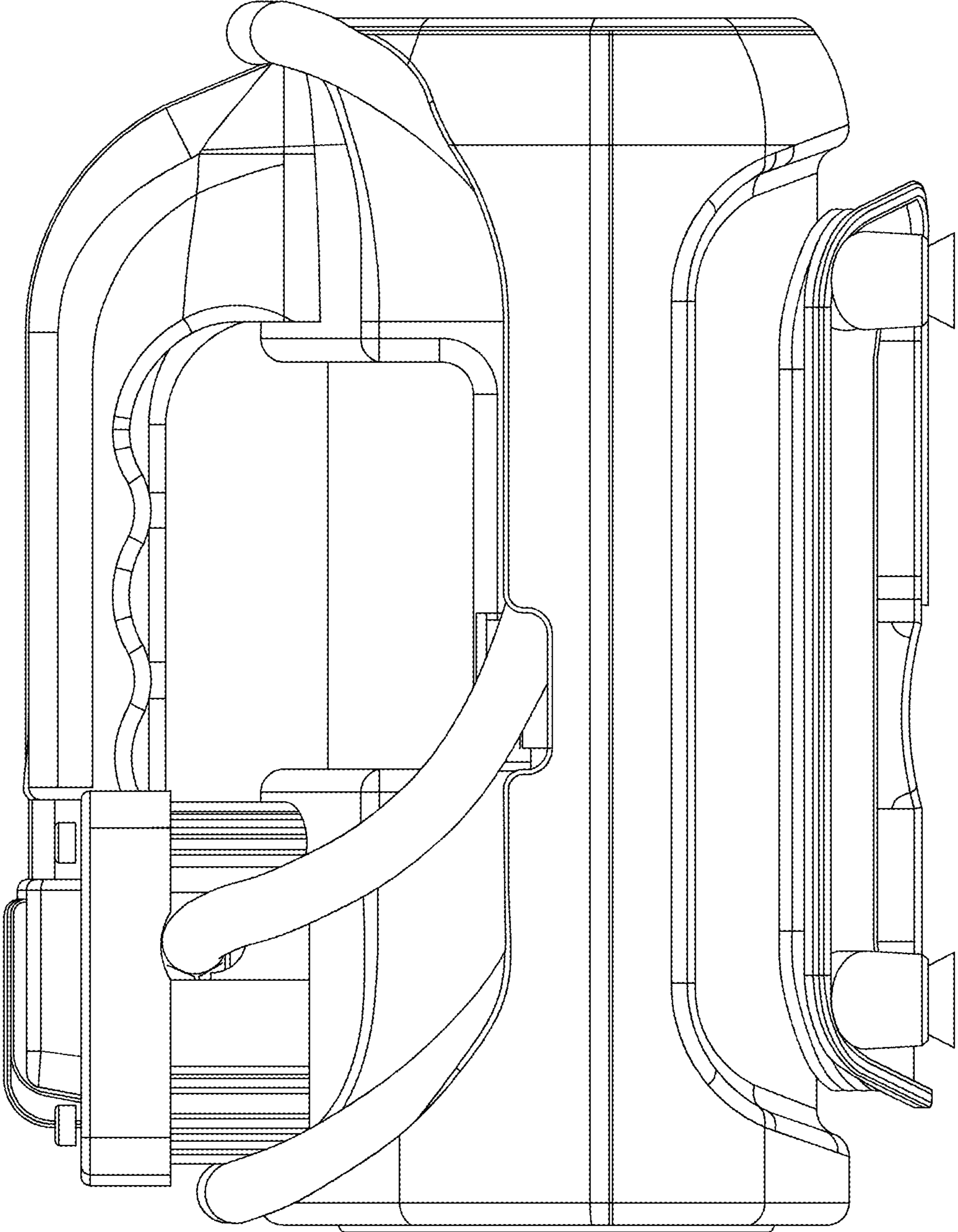


FIG. 4

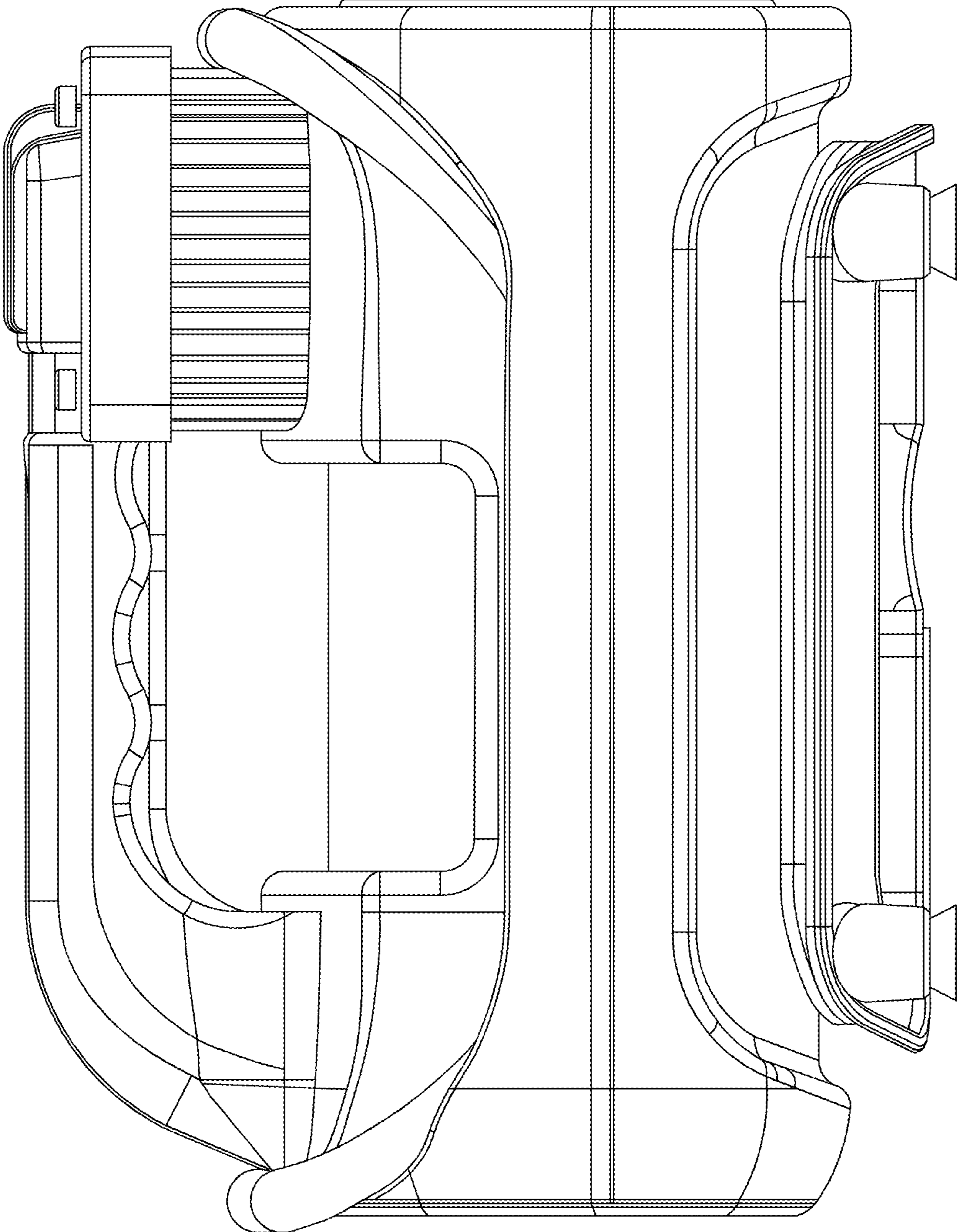


FIG. 5

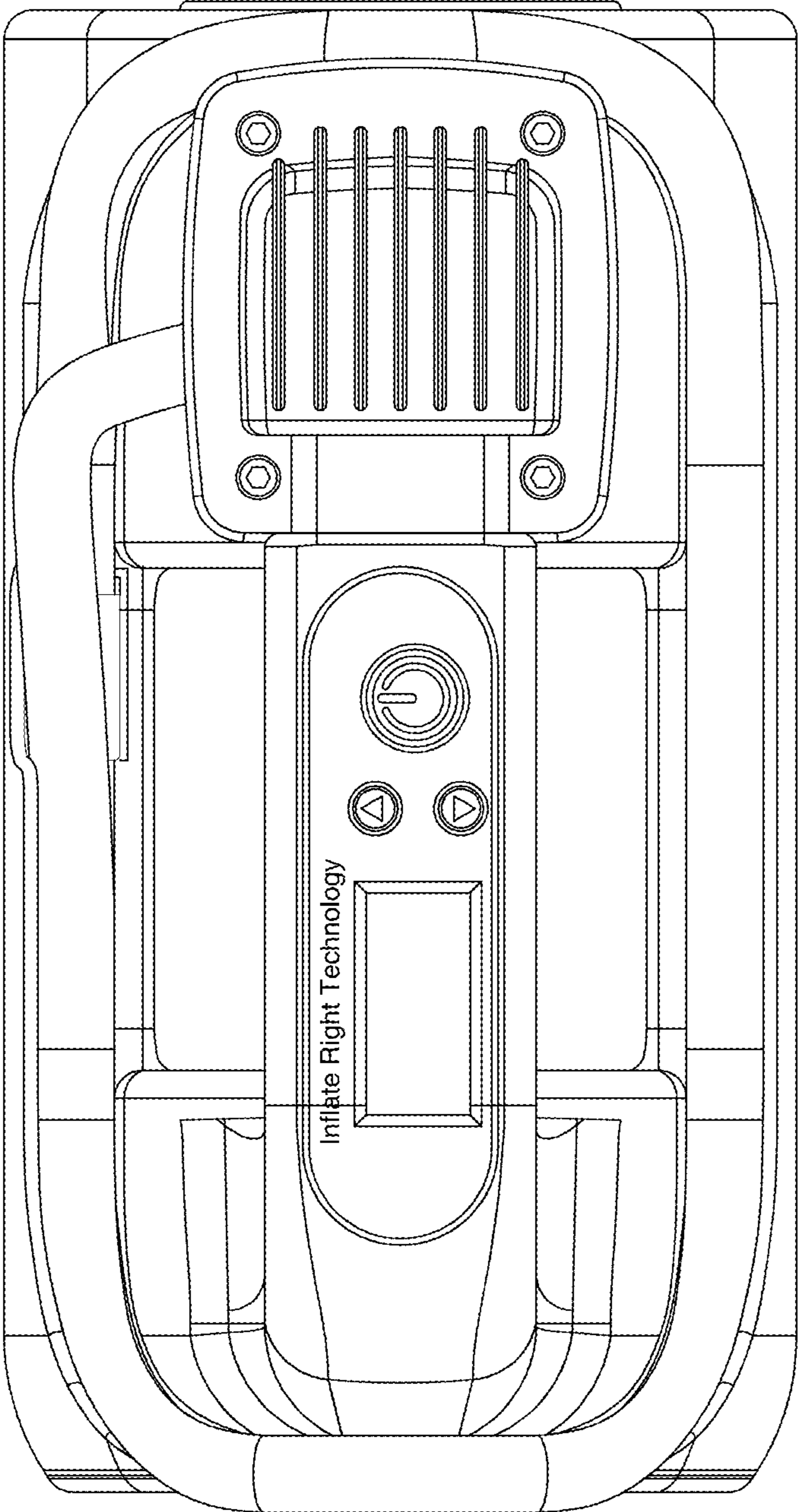


FIG. 6



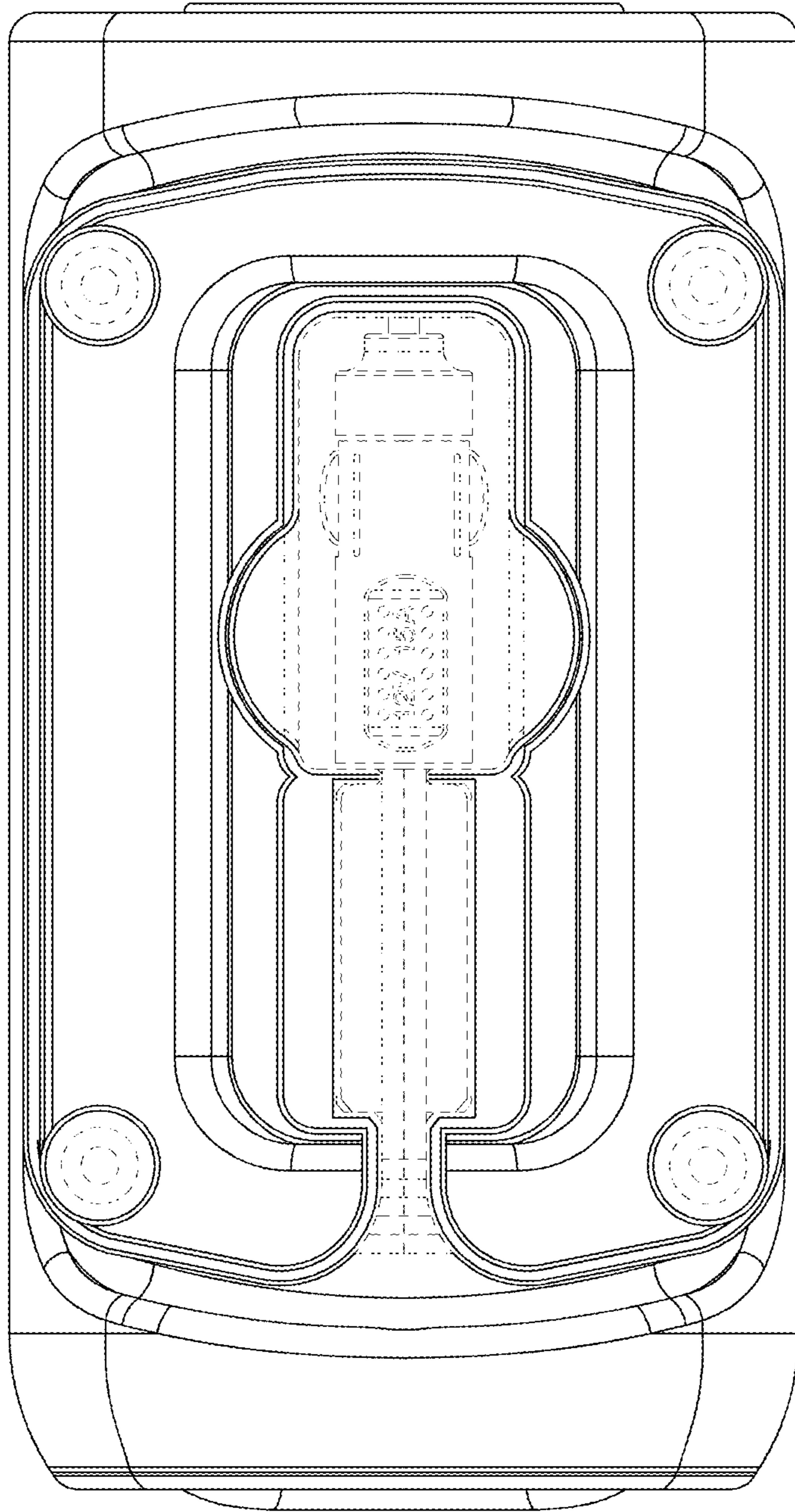


FIG. 7