



US00D956819S

(12) **United States Design Patent**
Wettig

(10) **Patent No.:** **US D956,819 S**

(45) **Date of Patent:** **** Jul. 5, 2022**

(54) **INTERCOOLER PIPE FOR AUTOMOTIVE APPLICATIONS**

(71) Applicant: **Resource Intl Inc.**, New Castle, DE (US)

(72) Inventor: **Jason Wettig**, New Castle, DE (US)

(73) Assignee: **Resource Intl Inc.**, New Castle, DE (US)

(**) Term: **15 Years**

(21) Appl. No.: **29/652,915**

(22) Filed: **Jan. 8, 2021**

(51) **LOC (13) Cl.** **15-01**

(52) **U.S. Cl.**
USPC **D15/5**

(58) **Field of Classification Search**
USPC D15/1, 2, 3, 4, 5, 6
CPC F02B 29/0425; F02B 29/0412; F02B 29/0437; F02B 29/0443; F02B 29/045; F02B 29/0406; F02B 29/0431; F28D 7/0066; F28D 1/0408; F28D 7/1653; F28F 1/04; F28F 1/12; F28F 9/02; F28F 21/02; B60H 1/14; B60H 1/3211; B60H 1/00271; B60H 1/3205; B60H 1/00342; F01P 11/08; B21D 53/08; F02M 26/27; F02M 26/31; F02M 35/10268

See application file for complete search history.

(56) **References Cited**

U.S. PATENT DOCUMENTS

4,949,544 A * 8/1990 Hines F01K 23/10
60/736
D808,436 S * 1/2018 Hamburger D15/5
D811,438 S * 2/2018 Hamburger D15/5
D835,157 S * 12/2018 Hamburger D15/5
10,254,055 B2 * 4/2019 Bangert F28F 9/0075
D872,131 S * 1/2020 Hamburger D15/5

D872,769 S * 1/2020 Hamburger D15/5
D872,770 S * 1/2020 Hamburger D15/5
11,085,364 B2 * 8/2021 Kang F02B 29/0468
2008/0022676 A1 * 1/2008 Cook F02M 26/05
60/599
2010/0199694 A1 * 8/2010 Taras F25B 1/10
62/513
2015/0083091 A1 * 3/2015 Fehrenbach F02B 29/045
123/542
2016/0153347 A1 * 6/2016 Morie F02B 29/0418
123/542
2016/0237961 A1 * 8/2016 Callaway, III F02M 35/116
2017/0058841 A1 * 3/2017 Nyeholt F02B 29/0468

(Continued)

FOREIGN PATENT DOCUMENTS

EP 1512853 A2 * 3/2005 F02B 29/0418
GB 6054488 * 2/2019
GB 6054489 * 2/2019

Primary Examiner — Ania Aman

(74) *Attorney, Agent, or Firm* — Condo Roccia Koptiw LLP

(57) **CLAIM**

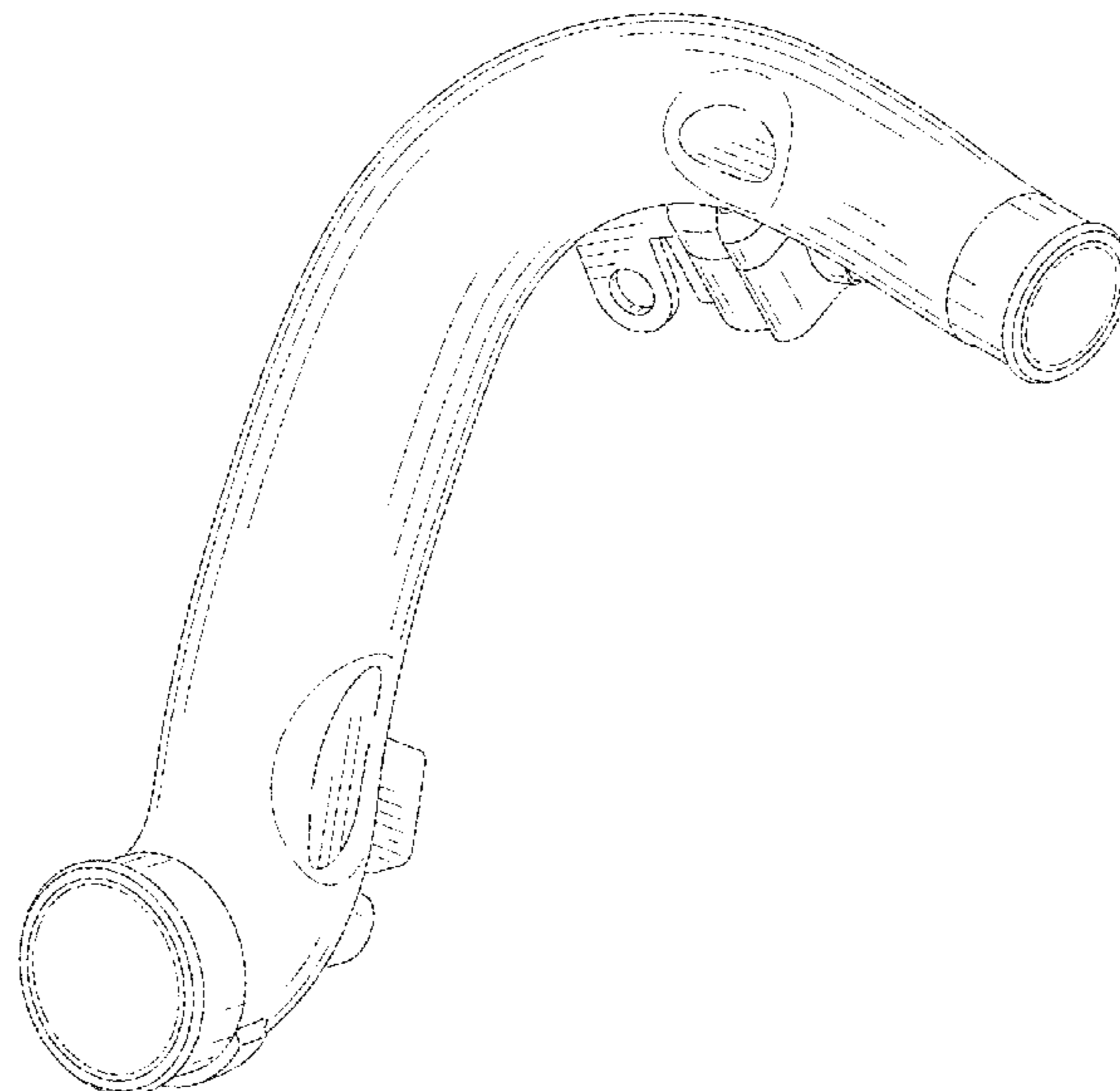
The ornamental design for an intercooler pipe for automotive applications, as shown and described.

DESCRIPTION

FIG. 1 is a top front perspective view of an intercooler pipe for automotive applications showing my new design; FIG. 2 is a front elevation view thereof; FIG. 3 is a rear elevation view thereof; FIG. 4 is a right-side elevation view thereof; FIG. 5 is a left-side elevation view thereof; FIG. 6 is a top plan view thereof; and, FIG. 7 is a bottom plan view thereof.

The broken lines shown in the drawings illustrate portions of the intercooler pipe for automotive applications that form no part of the claimed design.

1 Claim, 4 Drawing Sheets



(56)

References Cited

U.S. PATENT DOCUMENTS

2017/0234207 A1* 8/2017 Kondo F02B 29/0475
60/599
2020/0132236 A1* 4/2020 Akita F02B 29/0456
2021/0148660 A1* 5/2021 Kang F02B 29/0468

* cited by examiner

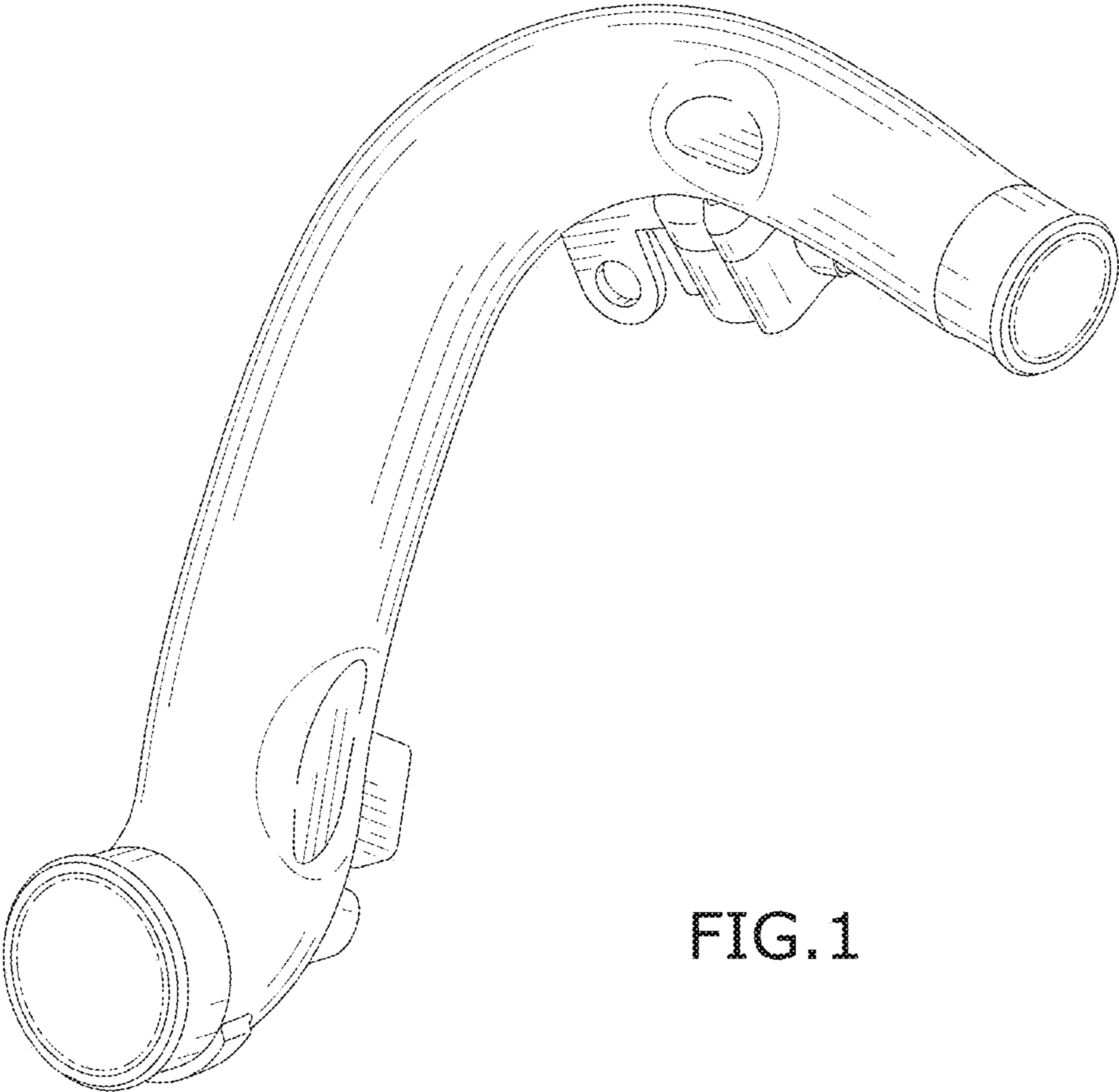


FIG. 1

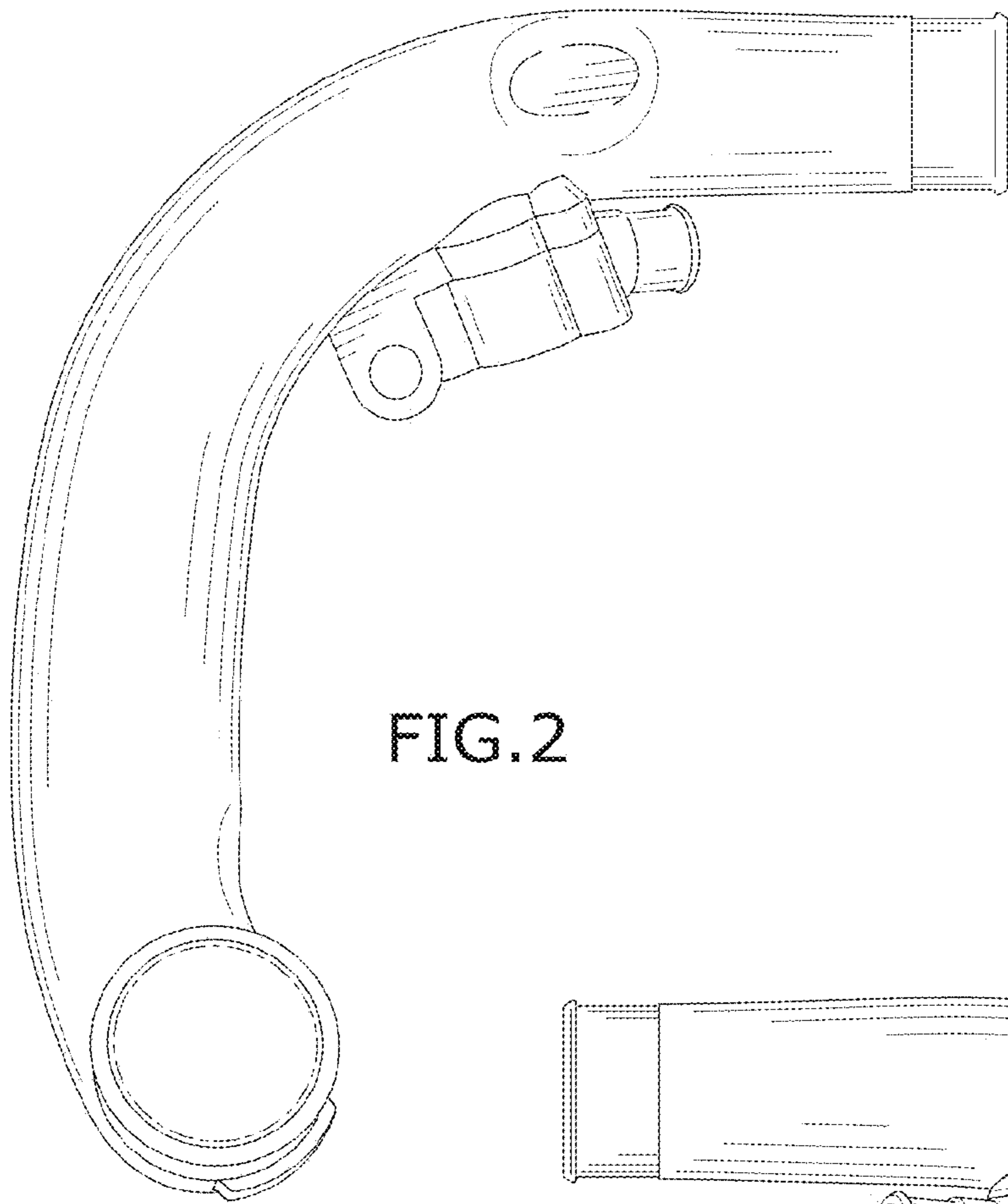


FIG. 2

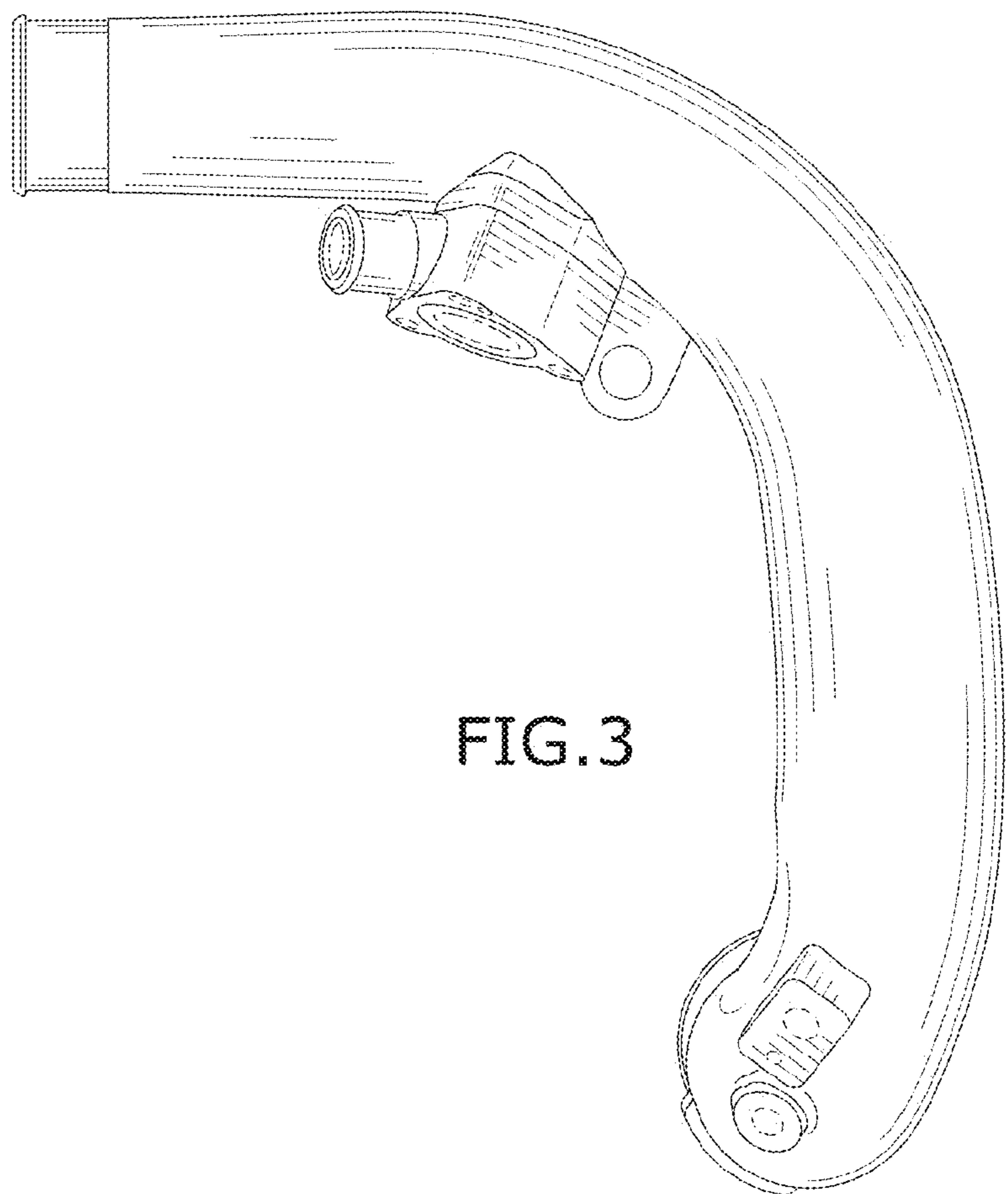


FIG. 3

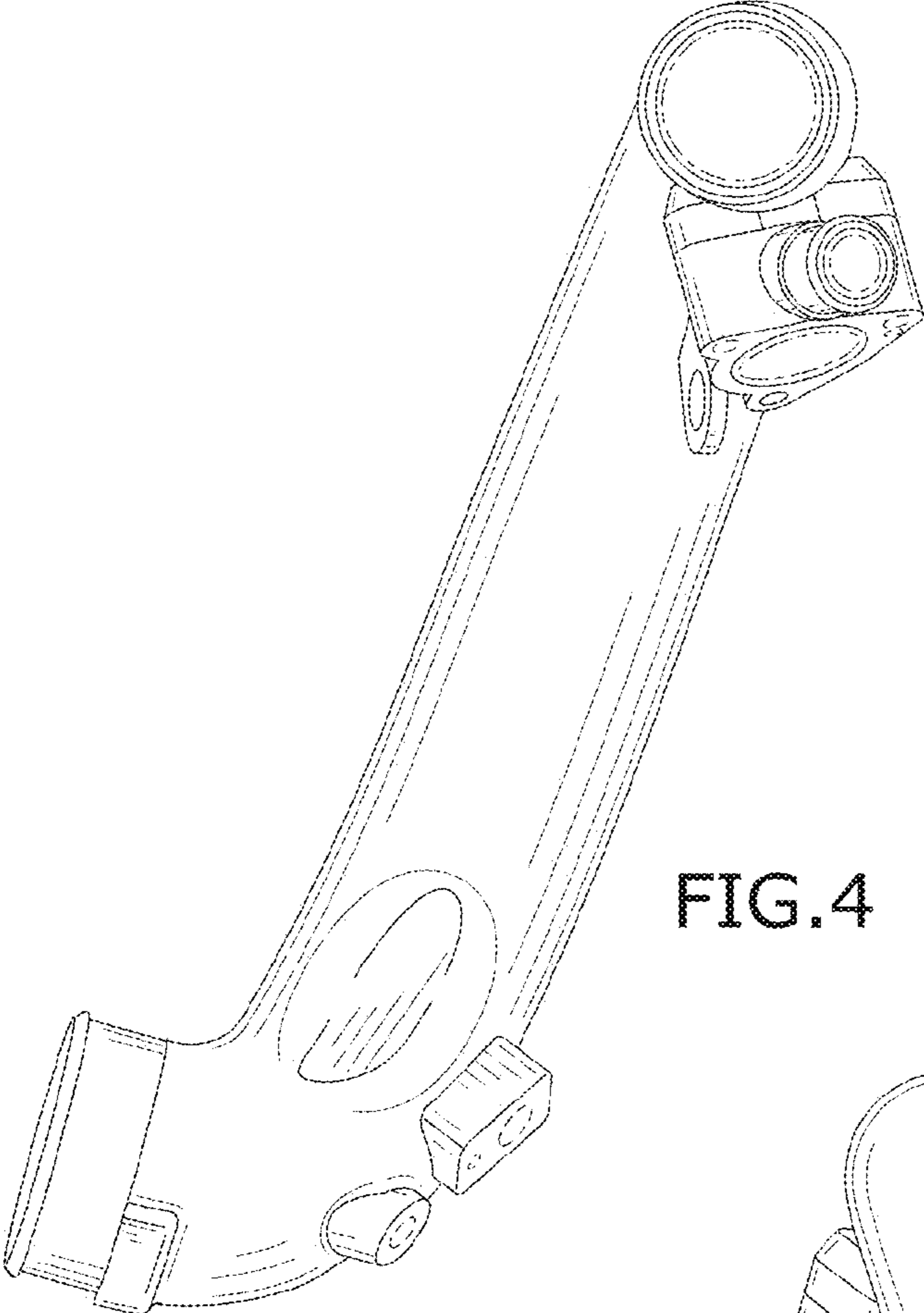


FIG. 4

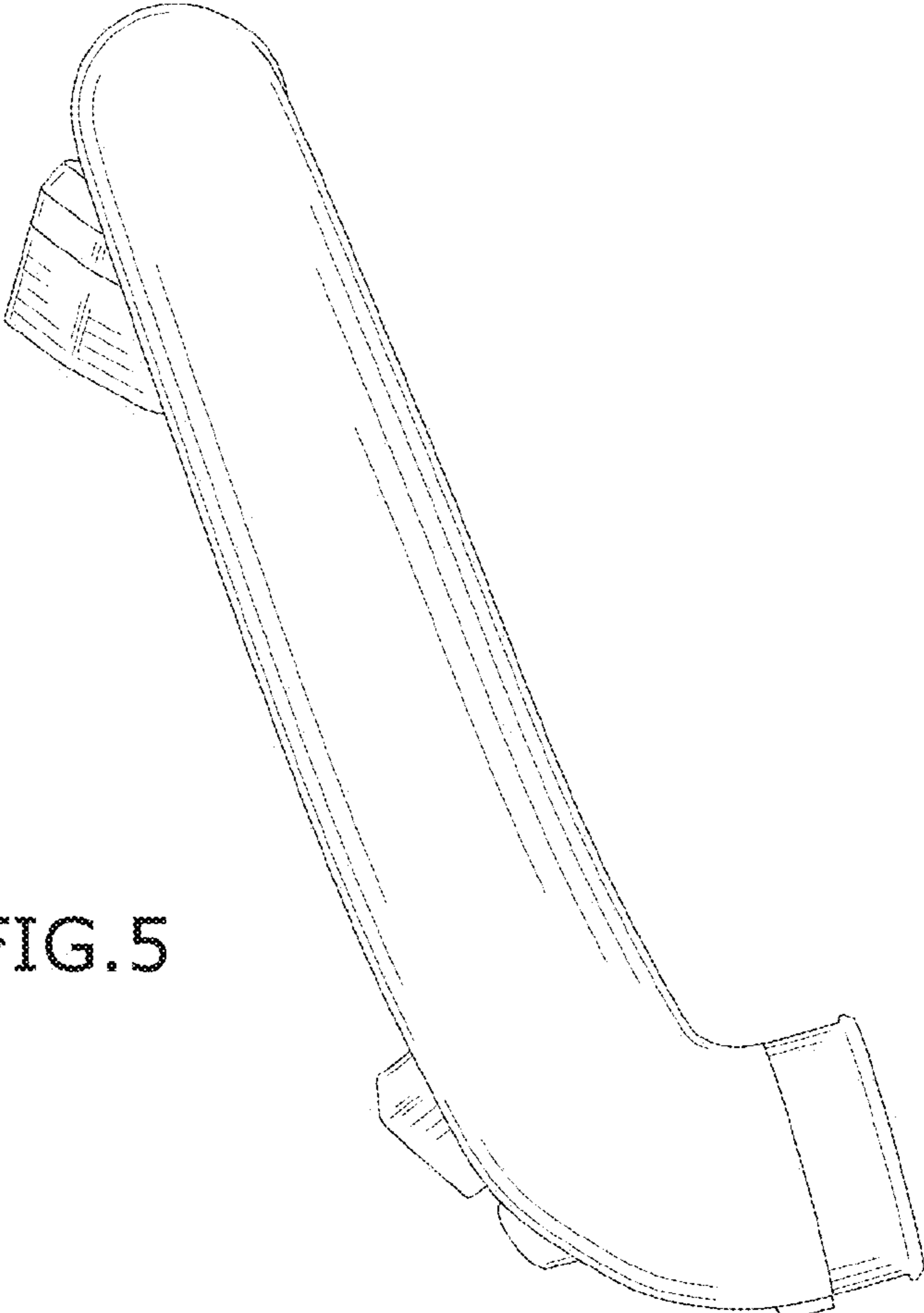


FIG. 5

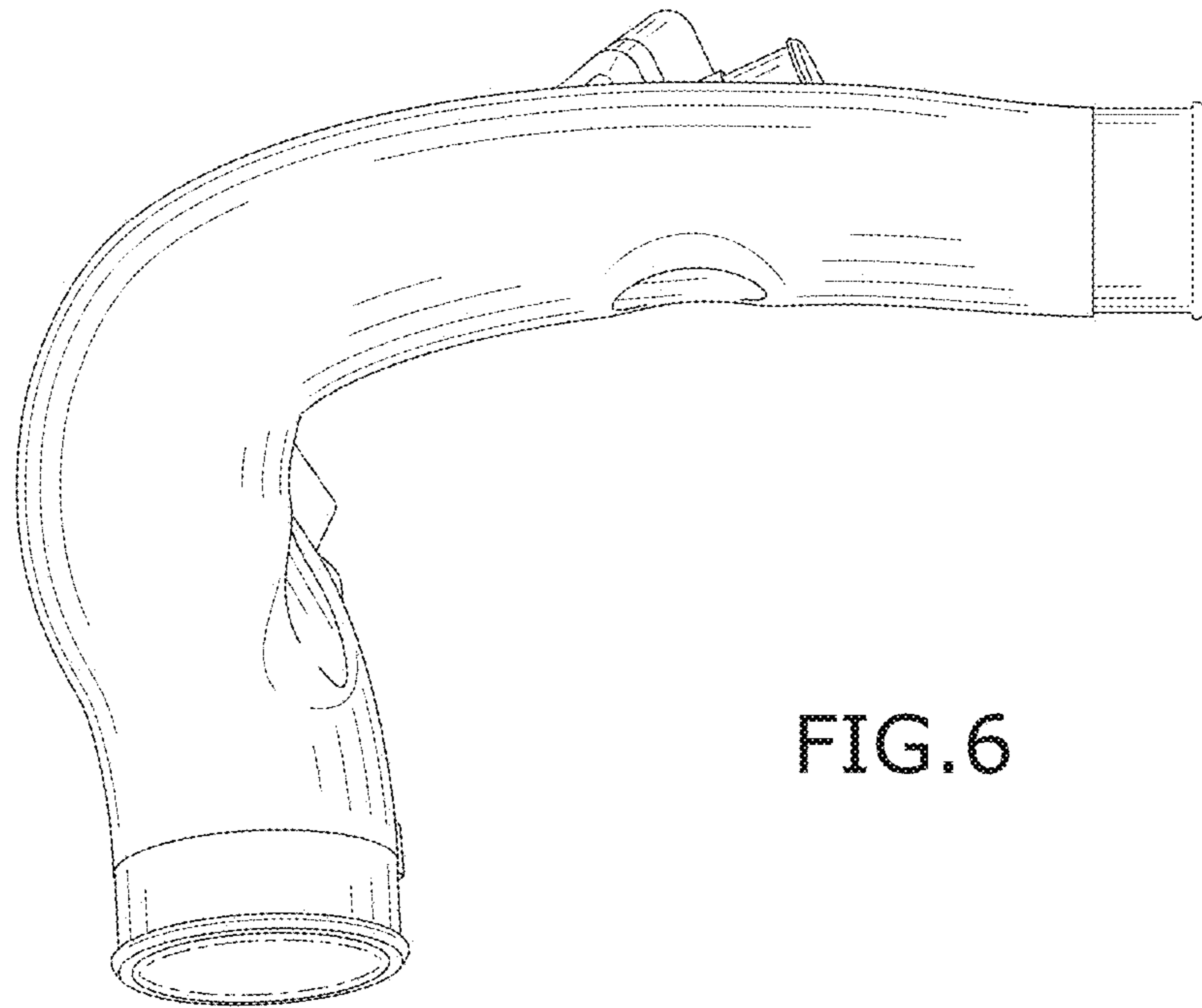


FIG. 6

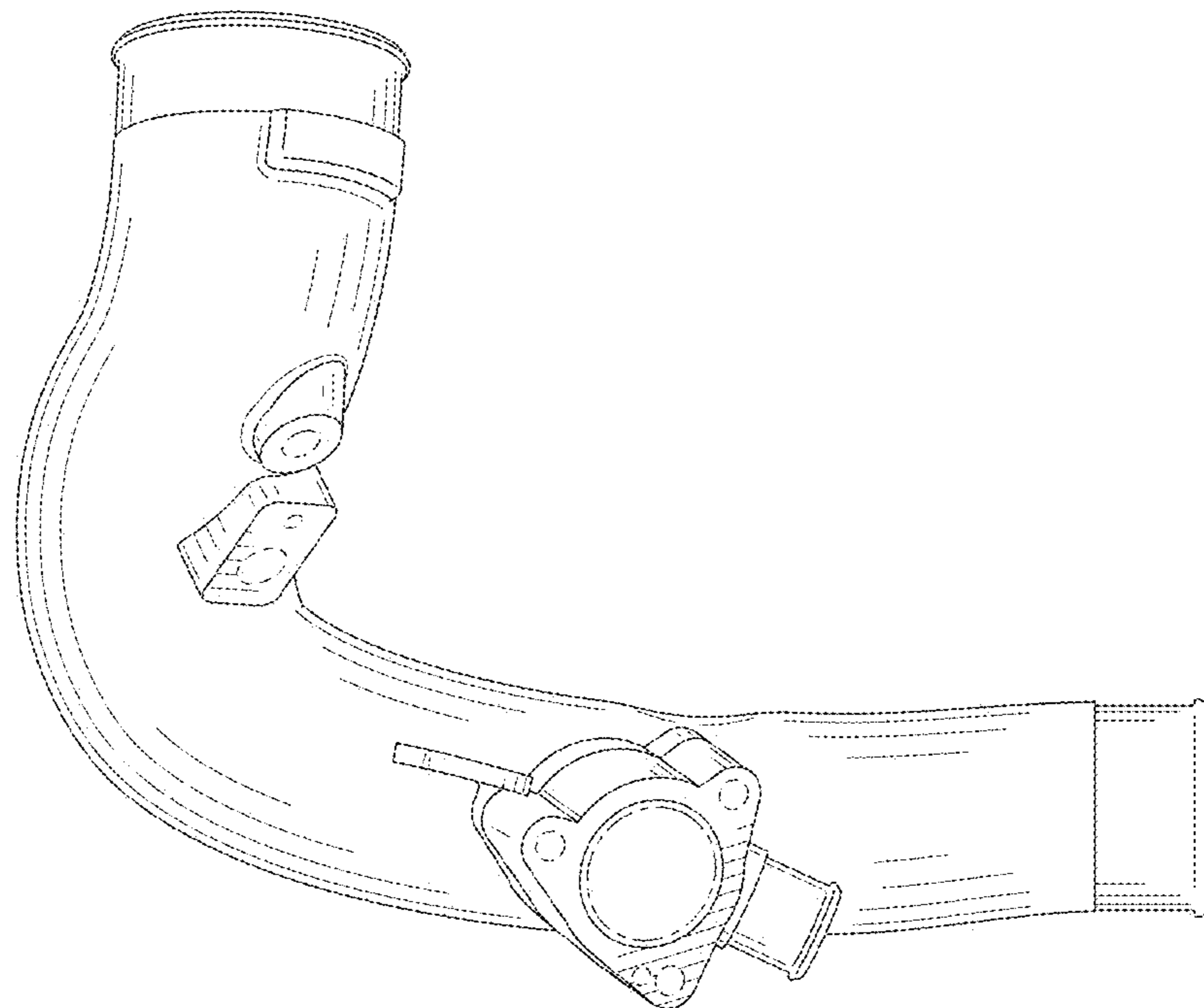


FIG. 7