



US00D956817S

(12) **United States Design Patent** (10) **Patent No.:** **US D956,817 S**  
**Rafieha** (45) **Date of Patent:** **\*\* Jul. 5, 2022**

(54) **FURNITURE CONTROLLER**

FOREIGN PATENT DOCUMENTS

(71) Applicant: **Abbyson Living LLC**, Calabasas, CA (US)

CN 110626286 A 12/2019  
CN 111134479 A 5/2020

(Continued)

(72) Inventor: **Rodd Rafieha**, Calabasas, CA (US)

OTHER PUBLICATIONS

(73) Assignee: **Abbyson Living, LLC**, Calabasas, CA (US)

Office Action (Non-Final Rejection) dated Feb. 1, 2022 for U.S. Appl. No. 17/164,070 (pp. 1-11).

(Continued)

(\*\*) Term: **15 Years**

(21) Appl. No.: **29/722,781**

*Primary Examiner* — Mimosa De

(22) Filed: **Jan. 31, 2020**

(74) *Attorney, Agent, or Firm* — Ferguson Case Orr Paterson LLP

(51) **LOC (13) Cl.** ..... **14-04**

(57) **CLAIM**

(52) **U.S. Cl.**

The ornamental design for furniture controller, as shown and described herein.

USPC ..... **D14/495**; D6/717

(58) **Field of Classification Search**

**DESCRIPTION**

USPC ..... D6/334-336, 367, 371, 373, 374, 381, D6/716, 716.2, 716.7, 717; D10/108; D13/162-168, 169, 177; D14/380, 388, D14/389, 491, 495, 488, 489, 490, 492, D14/494

CPC ..... A47C 1/12; A47C 1/121; A47C 1/122; A47C 4/02; A47C 4/028; A47C 7/18; A47C 7/24; A47C 7/54; A47C 17/02; A47C 17/16; A47C 17/162; A47C 17/163; A47C 17/165; A47C 17/175; A47C 1/035; A47C 1/0352; G06F 3/048; G06F 3/0481; G06F 3/04812; G06F 3/04817; G06F 3/0483; G06F 3/0484; G06F 3/04842

See application file for complete search history.

FIG. 1 is a perspective view of a piece of furniture with a furniture controller of the present invention.  
FIG. 2 is a perspective view of a piece of furniture with a furniture controller of the present invention.  
FIG. 3 is a top view of a piece of furniture with a furniture controller of the present invention.  
FIG. 4 is a perspective view of a furniture controller of the present invention.  
FIG. 5 is a top view of furniture controller of the present invention.  
FIG. 6 is a bottom side view of a furniture controller of the present invention.  
FIG. 7 is a top side view of a furniture controller of the present invention; and  
FIG. 8 is a left side view of a furniture controller of the present invention, the right side view being substantially the same.

The features shown in broken lines in FIGS. 1-8 form no part of the claimed design in the embodiment shown.

FIGS. 2, 4, and 5 show in alternate condition of use.

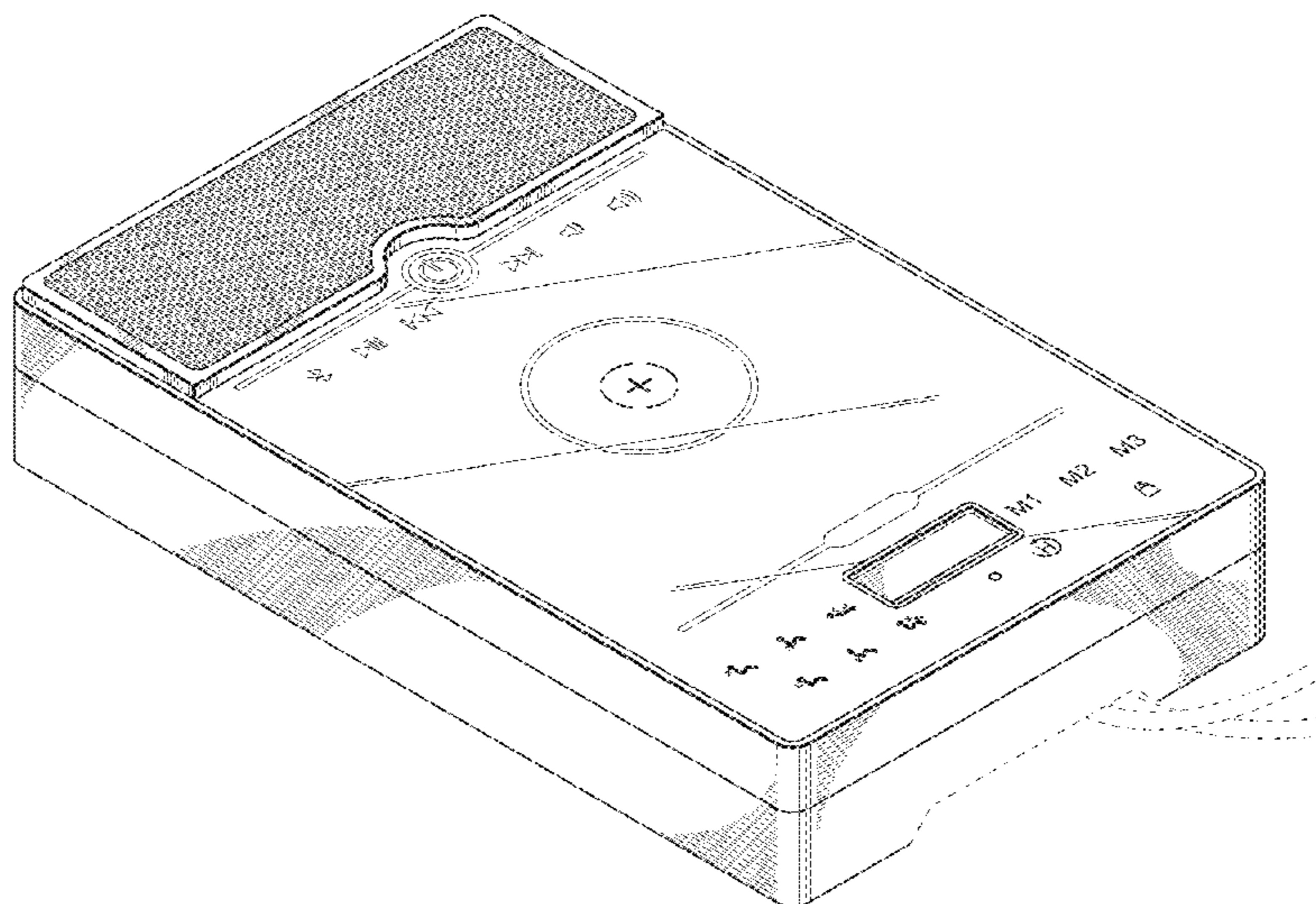
(56) **References Cited**

U.S. PATENT DOCUMENTS

2,696,870 A 12/1954 Mende  
D224,994 S 10/1972 Sokolowski  
D228,161 S 8/1973 Andrus

(Continued)

**1 Claim, 6 Drawing Sheets**



(56)

**References Cited**

U.S. PATENT DOCUMENTS

D247,594 S 3/1978 Corson  
 D270,308 S 8/1983 Aronowitz  
 D284,428 S 7/1986 Raftery  
 D297,080 S 8/1988 Hemberg  
 D379,014 S 4/1997 Woods, II  
 D450,944 S 11/2001 Shepard  
 D561,496 S 2/2008 Kreiss  
 D622,988 S \* 9/2010 Alford ..... D6/716.2  
 D624,928 S \* 10/2010 Agnetta ..... D14/491  
 D624,929 S \* 10/2010 Agnetta ..... D14/491  
 D650,605 S 12/2011 Haimoff  
 D651,012 S 12/2011 Lenney  
 D664,782 S 8/2012 Lenney  
 D668,465 S 10/2012 Adir  
 D738,928 S \* 9/2015 Mahaffey ..... D14/495  
 D739,413 S \* 9/2015 Shin ..... D14/491  
 D812,624 S \* 3/2018 Kim ..... D14/485  
 D834,437 S \* 11/2018 Zhang ..... D14/488  
 D848,483 S \* 5/2019 Itano ..... D14/495  
 D881,237 S \* 4/2020 Arima ..... D14/495  
 D884,741 S \* 5/2020 Arima ..... D14/495  
 D890,784 S \* 7/2020 Shelton, IV ..... D14/491  
 D896,266 S \* 9/2020 Kennedy ..... D14/488  
 D898,770 S \* 10/2020 Kessler ..... D14/492  
 D905,091 S \* 12/2020 Henry ..... D14/491  
 2009/0152915 A1 6/2009 Krasna  
 2009/0152917 A1 6/2009 Ostler  
 2010/0176632 A1 7/2010 Alford  
 2012/0223555 A1 9/2012 Brown, Jr.  
 2013/0137524 A1 5/2013 Scott  
 2014/0197666 A1 7/2014 Koch

2017/0202357 A1 7/2017 Holzner  
 2018/0041354 A1 2/2018 Nelson  
 2018/0310086 A1 10/2018 Tracy  
 2019/0080554 A1 3/2019 Barbour  
 2019/0275919 A1 9/2019 Gayon  
 2019/0365170 A1 12/2019 Anja  
 2020/0139814 A1 5/2020 Galan Garcia  
 2021/0170871 A1 6/2021 Di Censo  
 2021/0188140 A1 6/2021 Mizobata  
 2021/0235874 A1\* 8/2021 Rafieha ..... A47C 7/54

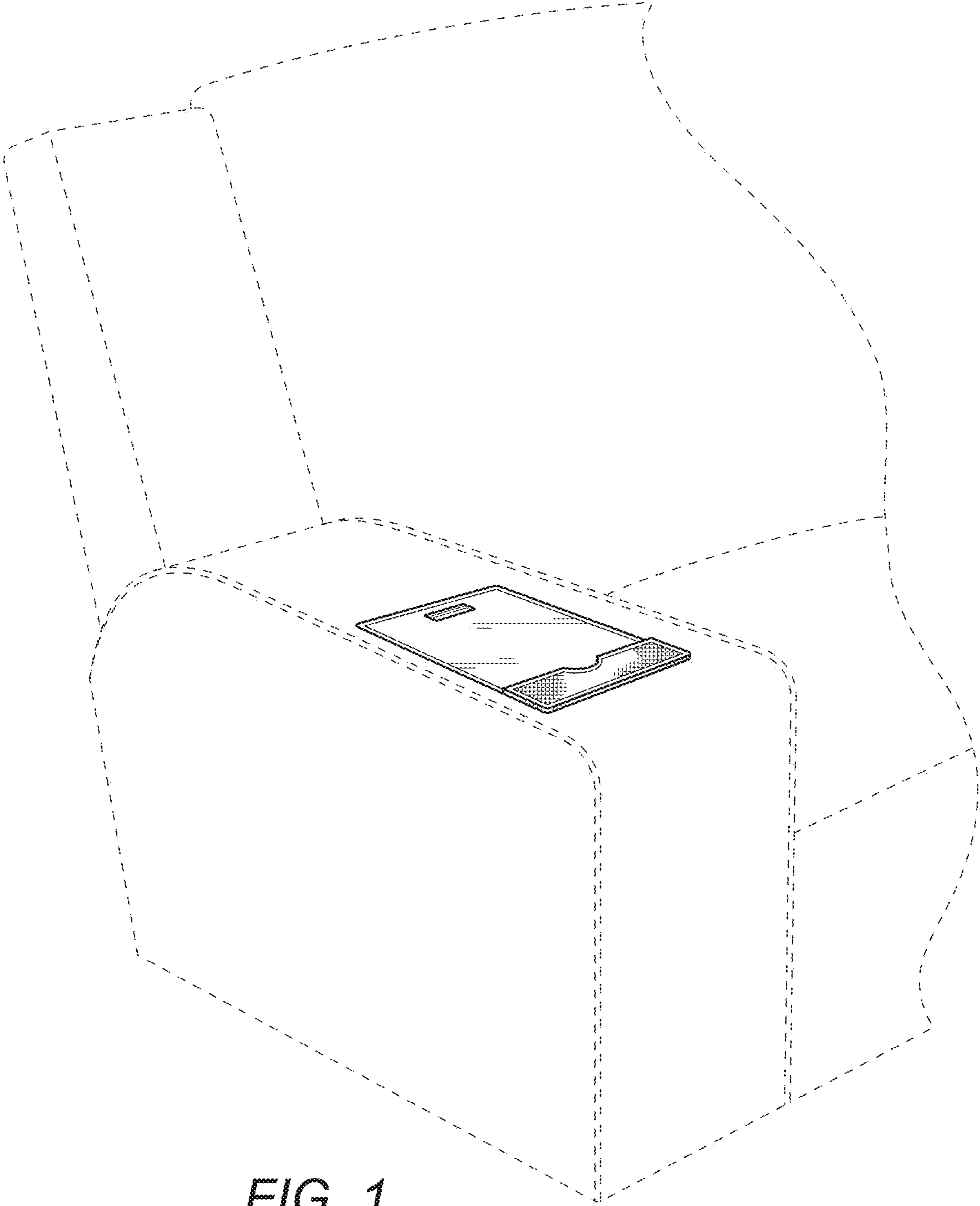
FOREIGN PATENT DOCUMENTS

DE 102014212881 A1 1/2016  
 DE 102014212881 A1 9/2020  
 EP 2745743 A1 6/2014  
 FR 3086594 A1 4/2020  
 KR 101873768 B1 7/2018  
 KR 20200028197 A 3/2020

OTHER PUBLICATIONS

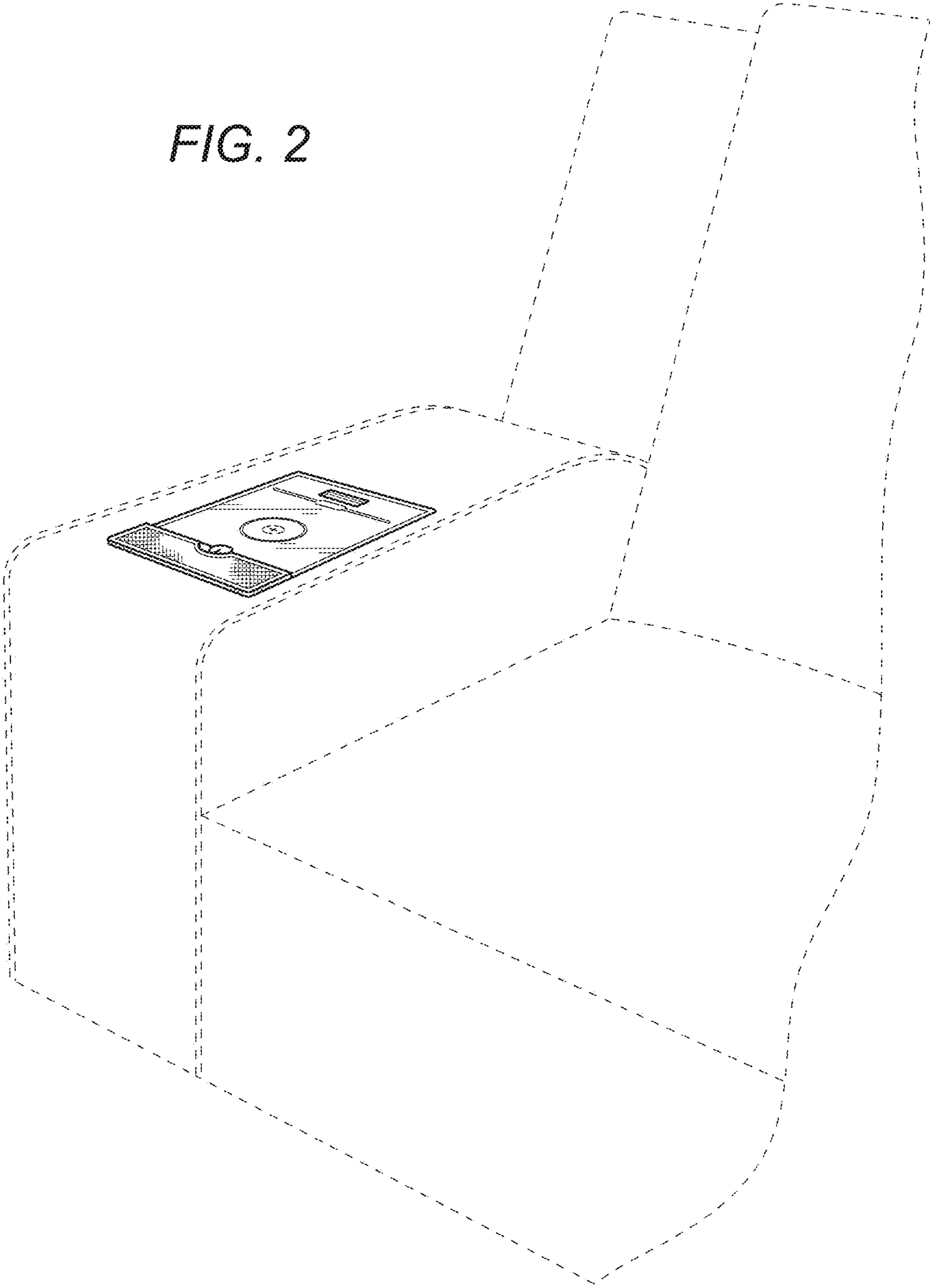
Patio Furniture Newport Outdoor, [online] Published on May 7, 2016. Retrieved Jul. 11, 2017 from URL: <https://www.abbysen.com/index.php/products/outdoor/patio-furniture/newport-outdoor-espresso-brown-wicker-6-piece-sectional-dl-rs038-6pc-detail>.  
 Spring Haven Brown Collection, [online] Retrieved Jul. 11, 2017 from URL: <http://www.homedepot.com/collection/patio-furniture/spring-haven-brown-collection>.  
 International Search Report and Written Opinion for App. No. PCT/US21/16102, dated Apr. 14, 2021, 14 pages.

\* cited by examiner



**FIG. 1**

FIG. 2



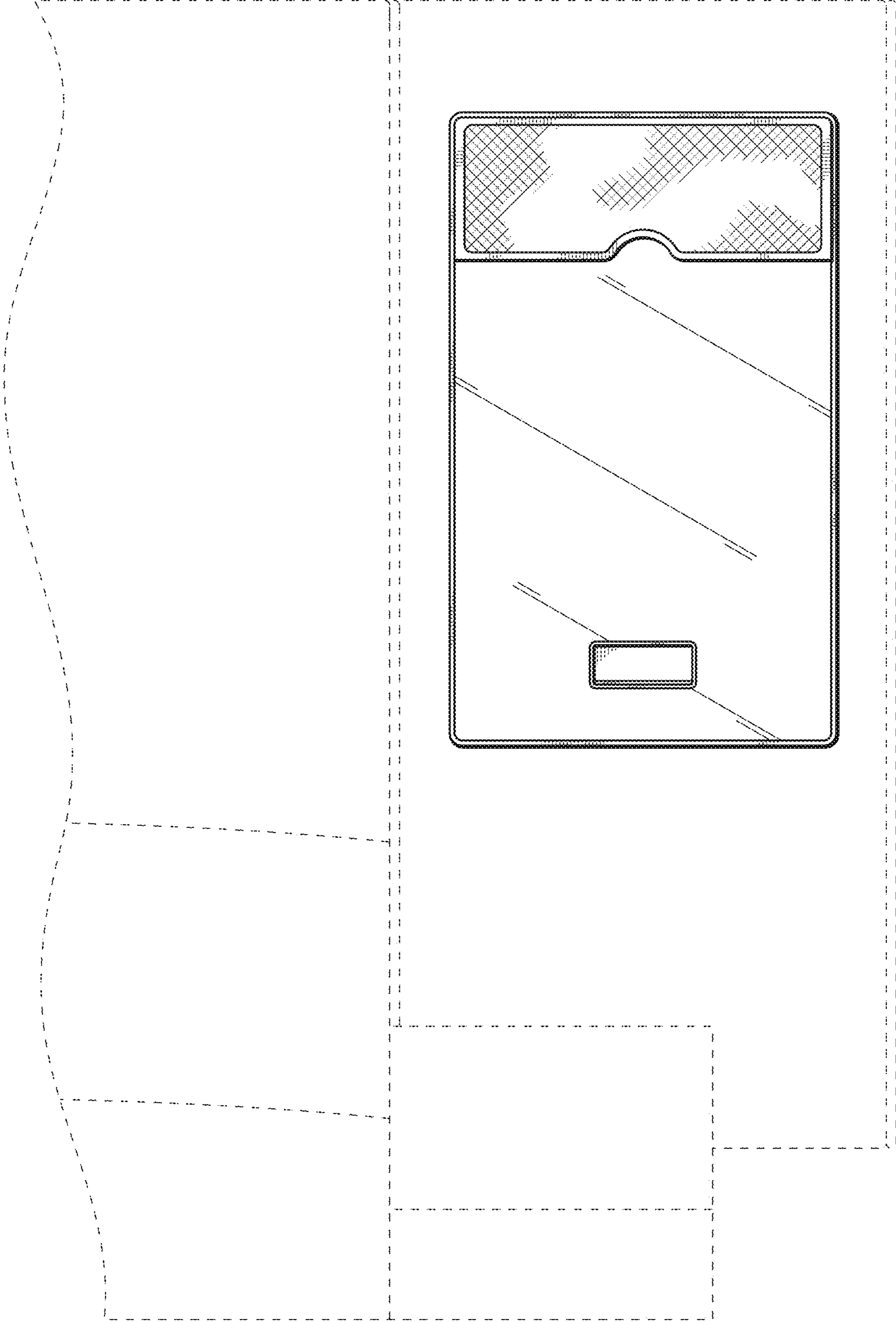


FIG. 3

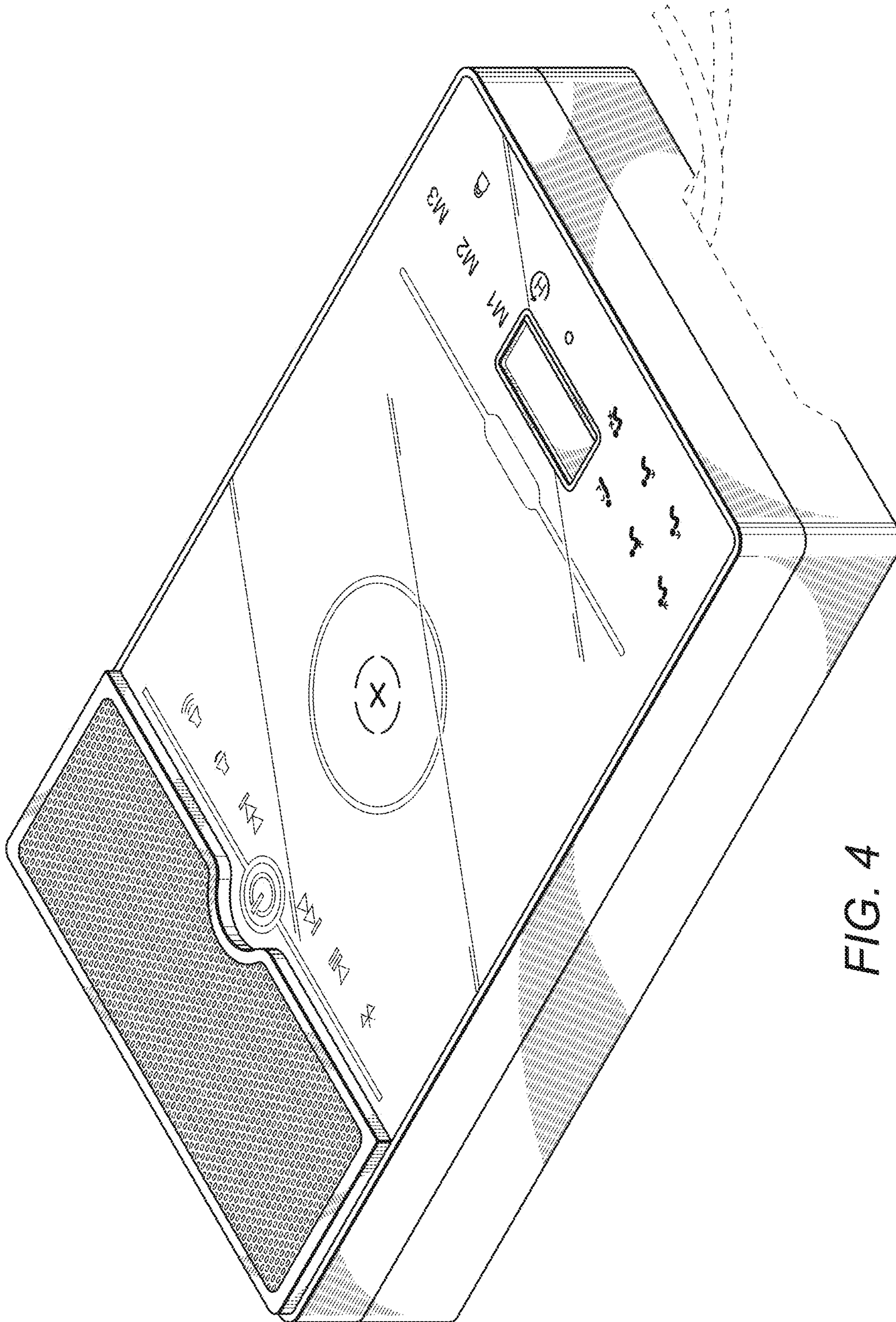


FIG. 4

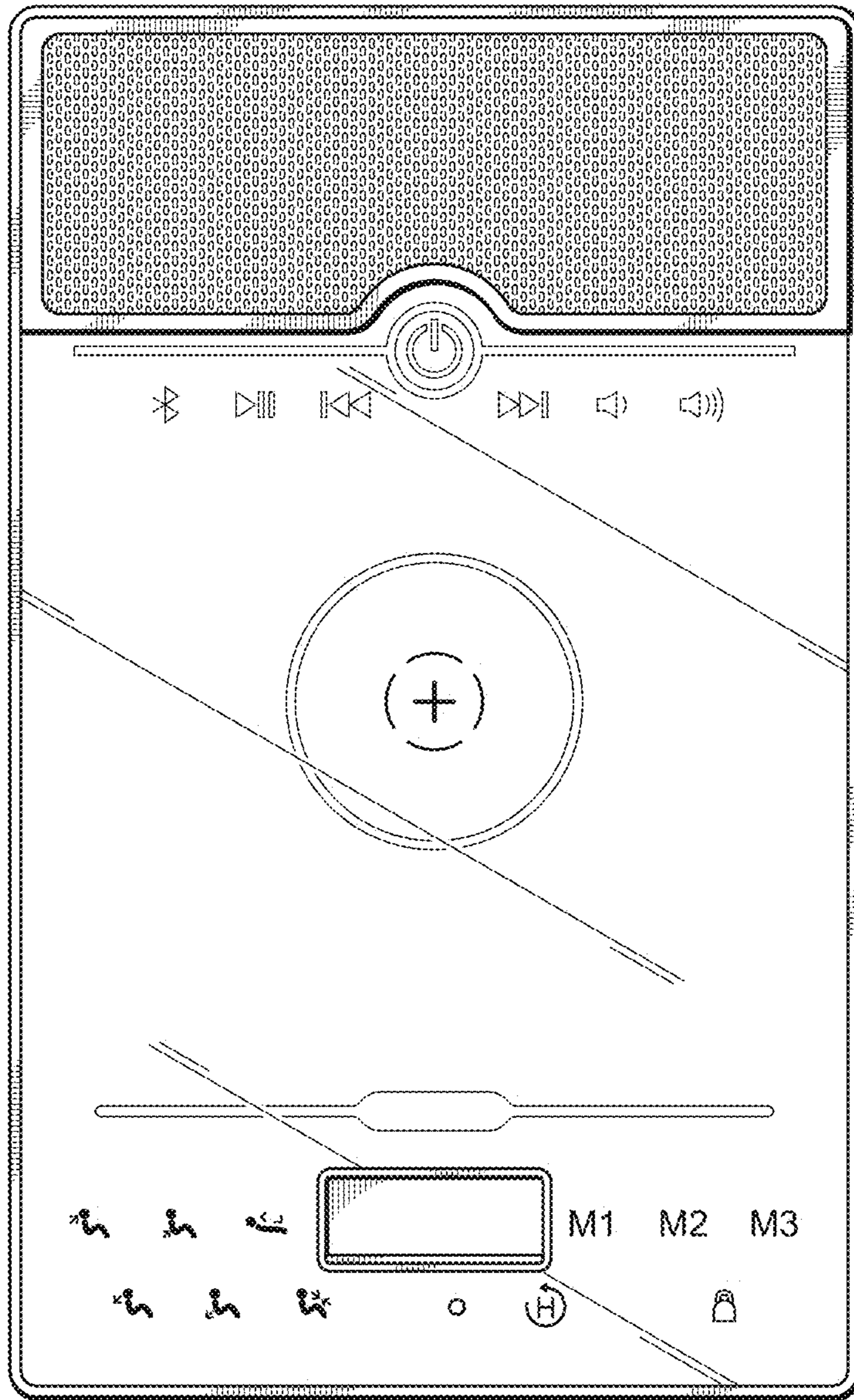


FIG. 5

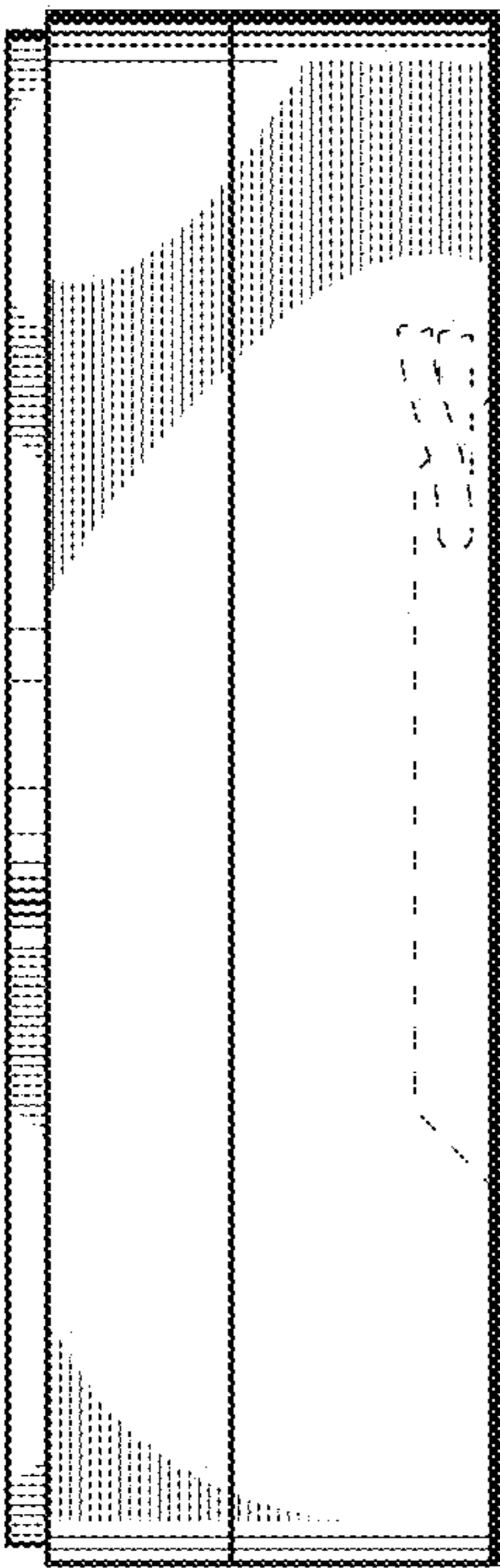


FIG. 6

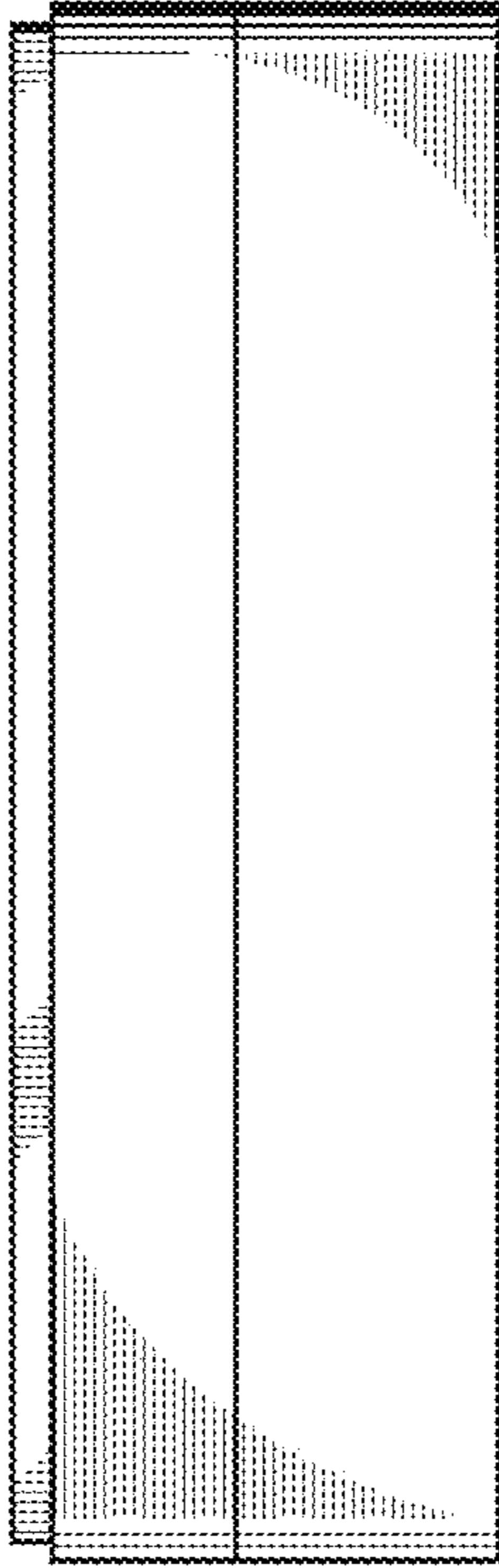


FIG. 7

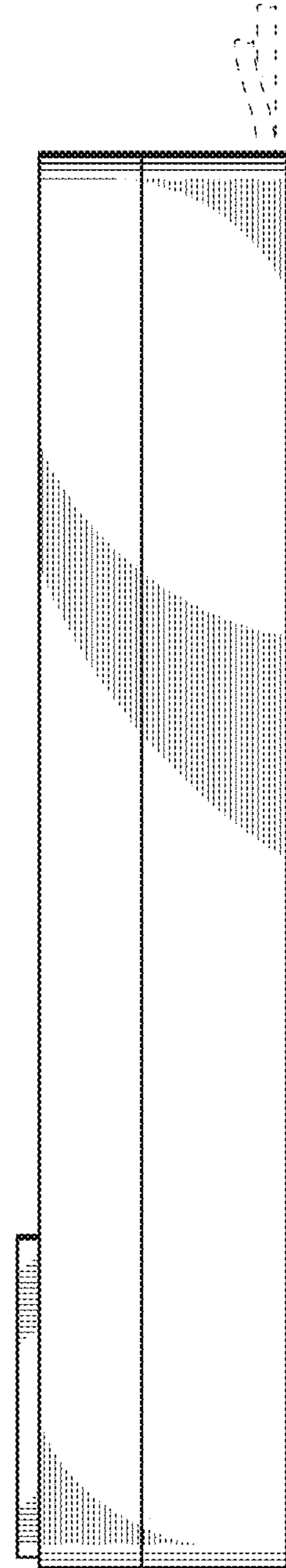


FIG. 8