



US00D956772S

(12) **United States Design Patent** (10) **Patent No.:** **US D956,772 S**
Kim et al. (45) **Date of Patent:** **** Jul. 5, 2022**

(54) **DISPLAY SCREEN OR PORTION THEREOF WITH TRANSITIONAL GRAPHICAL USER INTERFACE**

FOREIGN PATENT DOCUMENTS

CN 303127110 S 3/2015
CN 303159633 S 4/2015

(Continued)

(71) Applicant: **SAMSUNG ELECTRONICS CO., LTD.**, Gyeonggi-do (KR)

OTHER PUBLICATIONS

(72) Inventors: **Jiyeon Kim**, Gyeonggi-do (KR);
Jaehan Lee, Gyeonggi-do (KR);
Jiyoun Kim, Gyeonggi-do (KR)

FiLMiC Pro v6 for Android, by FiLMiC Pro, YouTube [online], published on Oct. 4, 2017, [retrieved on Aug. 27, 2021], retrieved from the Internet <URL: <https://www.youtube.com/watch?v=hyZfu3Fr40E>> (Year: 2017).*

(73) Assignee: **SAMSUNG ELECTRONICS CO., LTD.**, Gyeonggi-Do (KR)

Food Delivery Tracker Widget Concept, by Liu, dribbble.com [online], published on Jan. 21, 2018, [retrieved on Aug. 27, 2021], retrieved from the Internet <URL: <https://dribbble.com/shots/4127875-Food-Delivery-Tracker-Widget-Concept>> (Year: 2018).*

(**) Term: **15 Years**

(Continued)

(21) Appl. No.: **29/702,111**

Primary Examiner — Ian F Whitmore

(22) Filed: **Aug. 16, 2019**

(74) *Attorney, Agent, or Firm* — Cantor Colburn LLP

(30) **Foreign Application Priority Data**

Feb. 18, 2019 (KR) 30-2019-0007269

(51) **LOC (13) Cl.** **14-04**

(52) **U.S. Cl.**
USPC **D14/485**

(58) **Field of Classification Search**
USPC D14/485-495; D20/10, 11, 22-33, 39, D20/40
CPC G06F 3/048-04897; G06F 17/24; H04N 1/0044; H04N 1/00196; H04N 1/00408-00437; G06T 2200/24; B41J 29/38; G03G 15/5016; G03G 15/502
See application file for complete search history.

(57) **CLAIM**

The ornamental design for a display screen or portion thereof with transitional graphical user interface, as shown and described.

DESCRIPTION

FIG. 1 is a front view of a display screen or portion thereof with transitional graphical user interface showing the first image in a sequence, showing our new design; FIG. 2 is a front view showing the second image thereof; and, FIG. 3 is a front view showing the third image thereof. The appearance of the transitional image sequentially transitions between the images shown in FIGS. 1 to 3. The process or period in which one image transitions to another forms no part of the claimed design. The outer perimeters illustrated by broken lines in the drawings depict a display screen or portion thereof and forms no part of the claimed design. The remaining broken lines depict portions of graphical user interface that form no part of the claimed design.

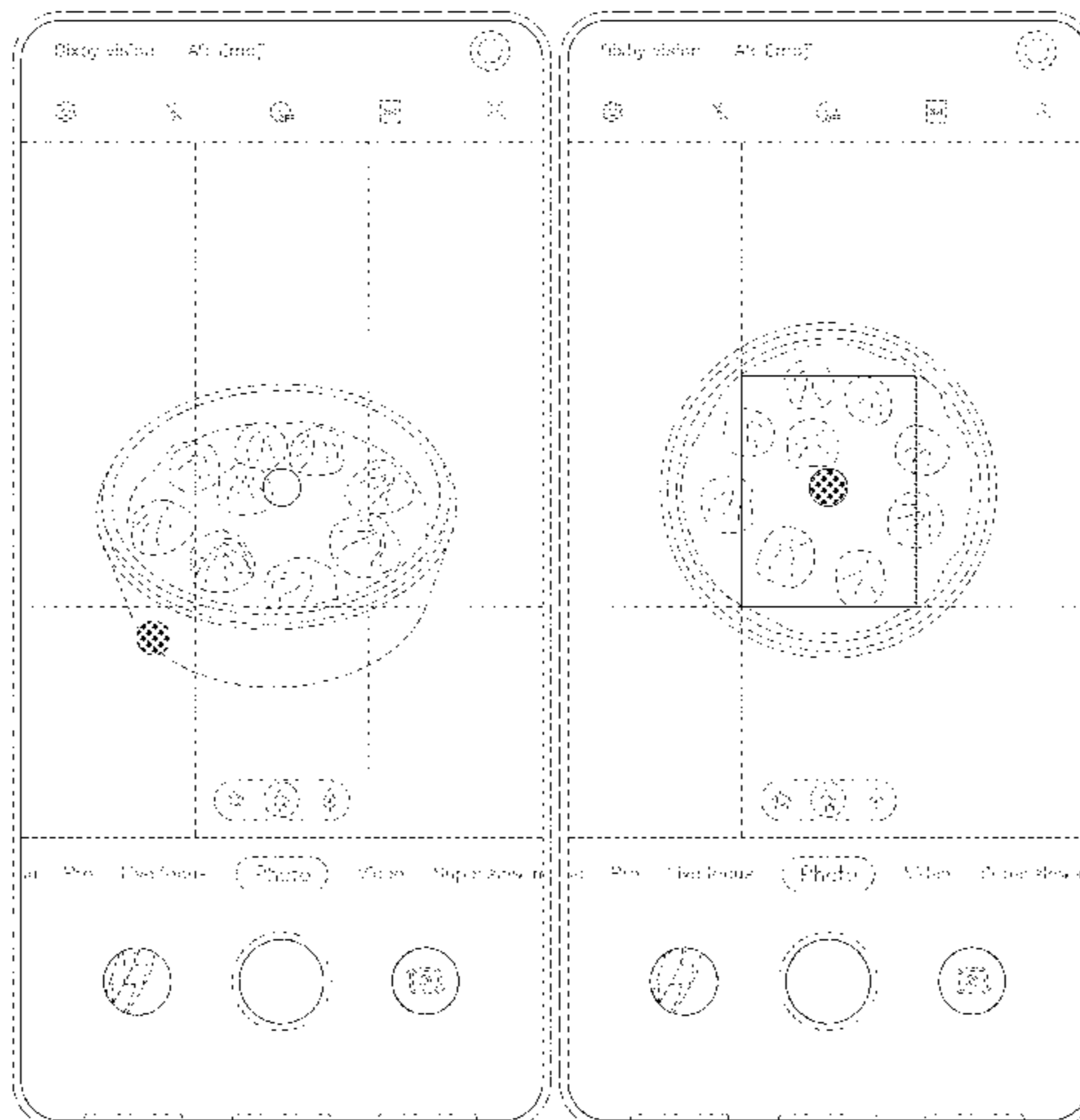
(56) **References Cited**

U.S. PATENT DOCUMENTS

D697,928 S * 1/2014 Okumura D14/486
D752,104 S 3/2016 Lee et al.
D757,746 S * 5/2016 Lee D14/485
D767,629 S * 9/2016 Gupta D14/492
D776,132 S * 1/2017 Steg D14/485

(Continued)

1 Claim, 3 Drawing Sheets



(56)

References Cited

OTHER PUBLICATIONS

U.S. PATENT DOCUMENTS

9,594,980 B1 * 3/2017 Graham G06K 9/00664
 9,626,589 B1 * 4/2017 Graham H04N 1/3876
 D799,498 S * 10/2017 Graham D14/485
 D802,620 S * 11/2017 Bae D14/487
 D833,456 S * 11/2018 Graham D14/485
 D839,299 S * 1/2019 Lee D14/487
 D859,458 S * 9/2019 Owatari D14/487
 D870,125 S * 12/2019 Shim D14/485
 D874,503 S * 2/2020 Maddux D14/486
 D875,779 S * 2/2020 Sakuma D14/488
 D889,509 S * 7/2020 Choi D14/489
 D907,655 S * 1/2021 Adachi D14/486
 D914,711 S * 3/2021 Nakafuji D14/485
 D918,244 S * 5/2021 Chen D14/486
 D938,491 S * 12/2021 Dai D14/492
 D940,744 S * 1/2022 Sun D14/487
 D945,455 S * 3/2022 Ko D14/489
 2012/0306748 A1 * 12/2012 Fleizach G06F 3/04845
 345/161
 2017/0094161 A1 * 3/2017 Graham H04N 5/23238
 2018/0349008 A1 * 12/2018 Manzari H04N 5/23212

FOREIGN PATENT DOCUMENTS

CN 303423647 S 10/2015
 EM 0034806310005 11/2016

Android Authority, [online]; [retrieved on Aug. 14, 2019]; retrieved from the Internet <https://www.androidauthority.com/best-camera-apps-for-android-188148/> Android Authority (Joe Hindy), “15 Best Camera apps for Android,” Jun. 28, 2019, pp. 1-1.
 Bless This Stuff, [online]; [retrieved on Aug. 14, 2019]; retrieved from the Internet <https://www.blessthisstuff.com/stuff/technology/apps/moment-camera-app/> Bless This Stuff, “Moment Camera App,” Aug. 14, 2019, pp. 1-1.
 DP Review, [online]; [retrieved on Aug. 14, 2019]; retrieved from the Internet <https://www.dpreview.com/news/2691596339/moment-launches-camera-app-with-focus-on-manual-control> DP Review, “Moment Launches Camera App with focus on Manual Control,” Jul. 10, 2018, pp. 1-1.
 Happy Tech, [online]; [retrieved on Aug. 14, 2019]; retrieved from the Internet <https://happytech.info/google-lens-now-available-as-a-separate-app-you-need-to-know-this-597131cd3c42> Happy Tech (Habibeche), “Google Lens now available as a separate app: You need to know this,” Jun. 5, 2018, pp. 1-1.
 Peta Pixel, [online]; [retrieved on Aug. 14, 2019]; retrieved from the Internet <https://petapixel.com/2017/05/31/halide-new-ios-camera-app-made-ex-apple-ex-twitter-duo/> Peta Pixel (Jayphen Simpson), “Halide is a New iOS Camera App Made by an Ex-Apple and Ex-Twitter Duo,” May 31, 2017, pp. 1-1.

* cited by examiner

FIG. 1

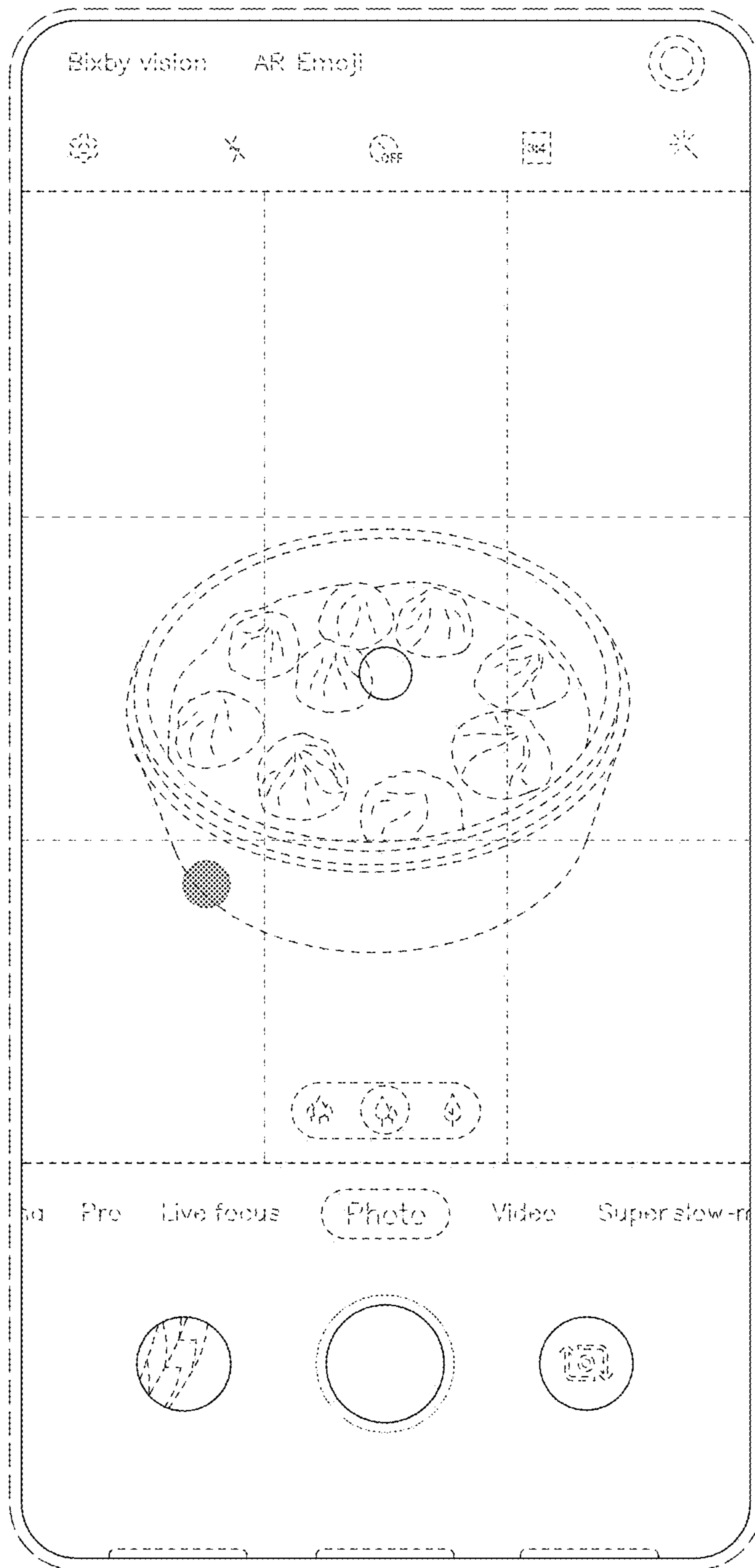


FIG. 2

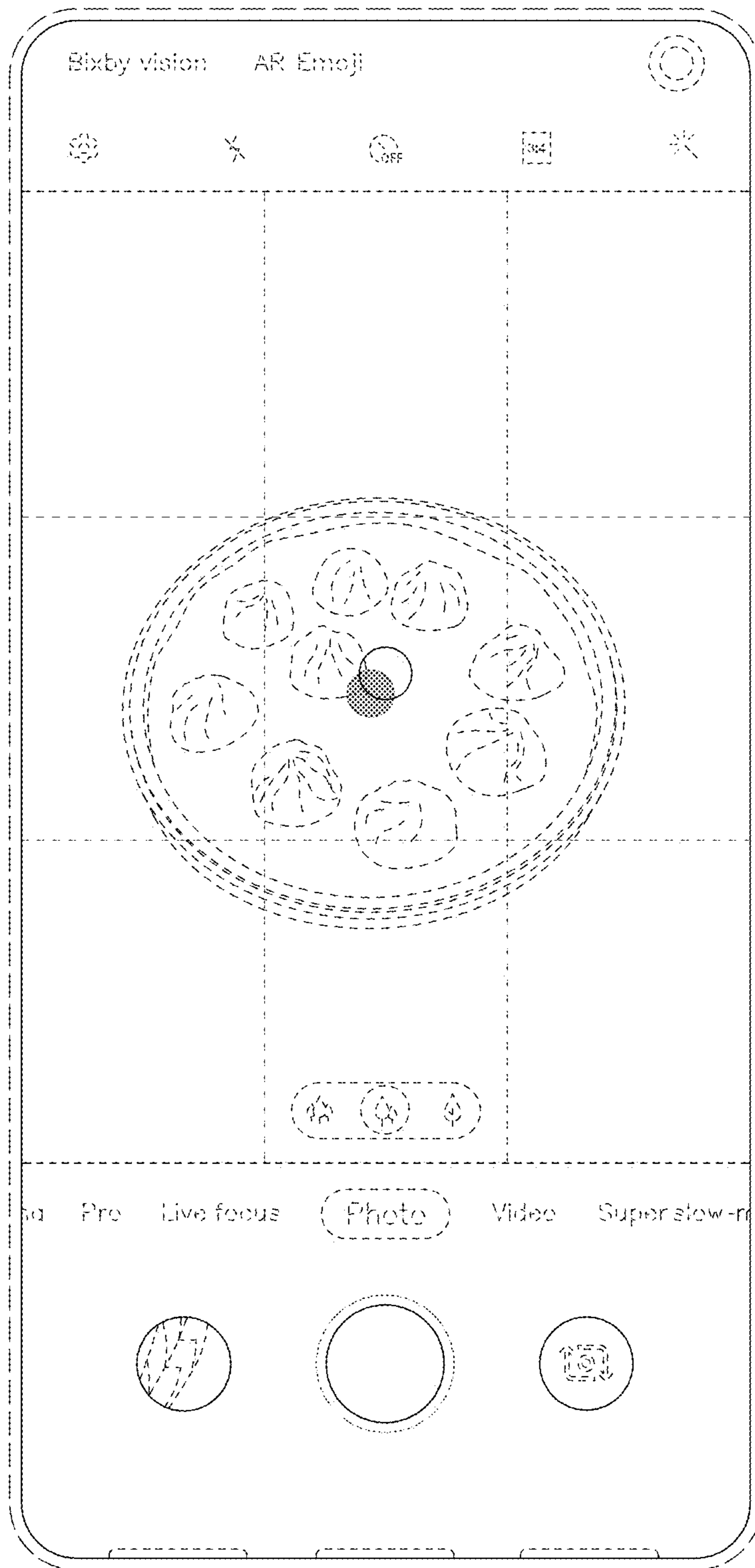


FIG. 3

