



US00D956769S

(12) **United States Design Patent**
Lin et al.

(10) **Patent No.:** **US D956,769 S**

(45) **Date of Patent:** **** Jul. 5, 2022**

(54) **MONITOR ARM**

(71) Applicant: **NINGBO TUOTUO RIVER DESIGN COMPANY, Zhejiang (CN)**

(72) Inventors: **Gaobo Lin, Ningbo (CN); Hongjun Wang, Ningbo (CN)**

(73) Assignee: **NINGBO TUOTUO RIVER DESIGN COMPANY, Ningbo (CN)**

(**) Term: **15 Years**

(21) Appl. No.: **29/780,708**

(22) Filed: **Apr. 26, 2021**

(51) **LOC (13) Cl.** **14-02**

(52) **U.S. Cl.**
USPC **D14/452**

(58) **Field of Classification Search**
USPC D14/239, 371, 372, 373, 374, 375, 376, D14/377, 447-450, 451, 452, 335-337, D14/125, 127, 128, 129, 341, 126; D8/355, 363, 373; D6/672, 682
CPC F16M 11/2085; F16M 11/2092; F16M 11/2007; F16M 11/2014; F16M 11/2021; F16M 11/105; F16M 11/048; F16M 11/12; F16M 13/022; F16M 11/10
See application file for complete search history.

(56) **References Cited**

U.S. PATENT DOCUMENTS

D631,052 S * 1/2011 Hung D14/452
D745,873 S 12/2015 Xiang et al.
D747,179 S * 1/2016 Xiang D8/363
D805,085 S 12/2017 Xiang et al.
D822,671 S 7/2018 Chu
D847,823 S 5/2019 Monsalve et al.
D849,013 S 5/2019 Monsalve et al.
D875,105 S 2/2020 Xiang et al.
D877,744 S 3/2020 Xiang et al.
D922,394 S * 6/2021 Lu D14/452

D926,196 S * 7/2021 Lyu D14/452
D928,793 S * 8/2021 Shu D14/452
D936,069 S * 11/2021 You D14/452
D936,070 S * 11/2021 You D14/452

(Continued)

FOREIGN PATENT DOCUMENTS

EM 002605014-0001 2/2015
EM 003400050-0001 10/2016

(Continued)

OTHER PUBLICATIONS

Fully. Link: <https://www.fully.com/jarvis-monitor-arm.html>. Visited Dec. 22, 2021. Jarvis Monitor Arm. (Year: 2021).*

(Continued)

Primary Examiner — Lauren D McVey
(74) *Attorney, Agent, or Firm* — Knobbe Martens Olson & Bear LLP

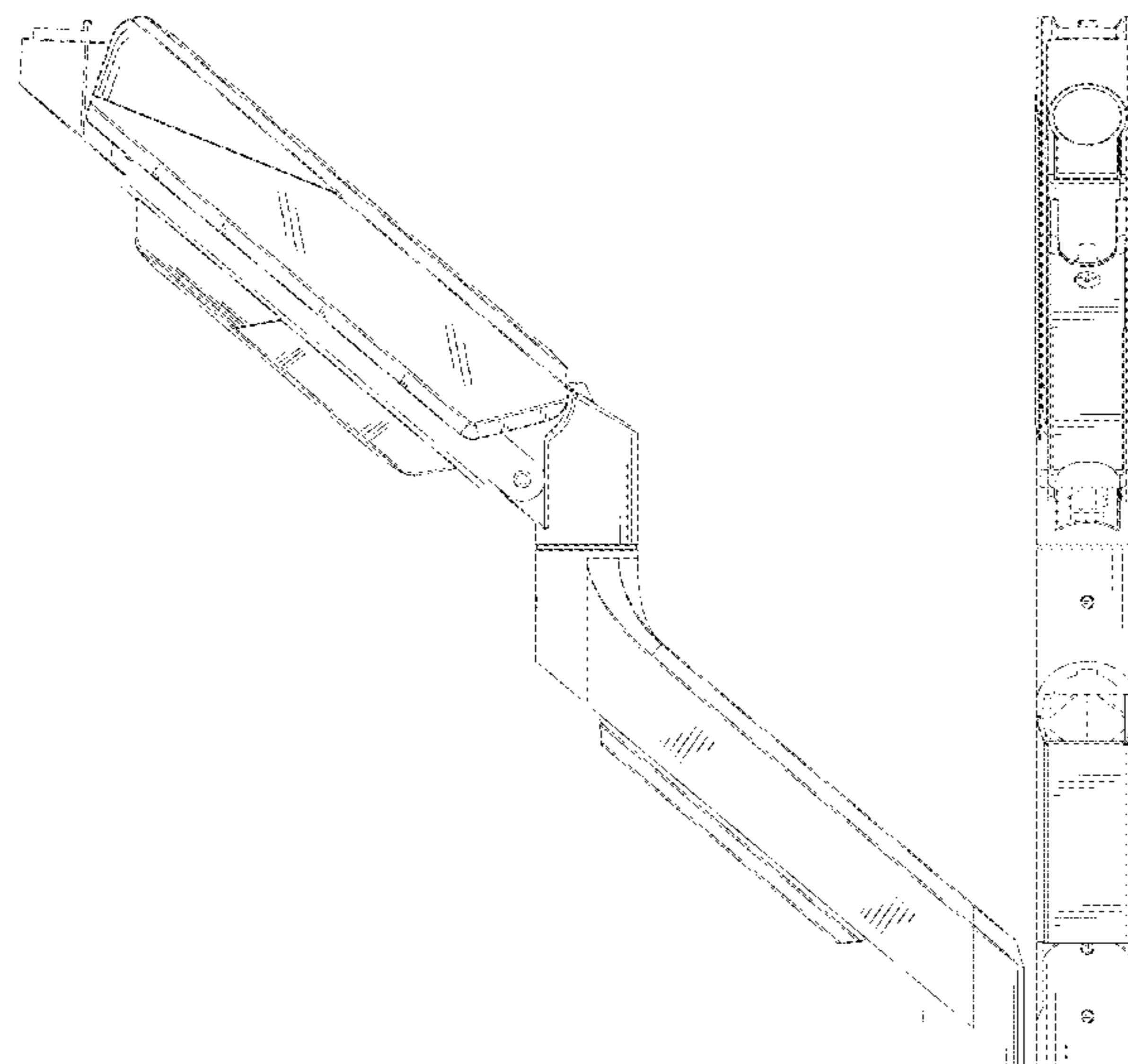
(57) **CLAIM**

The ornamental design for a monitor arm, as shown and described.

DESCRIPTION

FIG. 1 is a first perspective view of the monitor arm embodying the new design;
FIG. 2 is a second perspective view thereof;
FIG. 3 is a left side view thereof;
FIG. 4 is a right side view thereof;
FIG. 5 is a back view thereof;
FIG. 6 is a front view thereof;
FIG. 7 is a top view thereof; and
FIG. 8 is a bottom view thereof; and,
FIG. 9 is a perspective view of the monitor arm showing our new design with environment.
Broken lines are used to illustrate features of the monitor arm that form no part of the claimed design.

1 Claim, 9 Drawing Sheets



(56)

References Cited

U.S. PATENT DOCUMENTS

D936,071 S * 11/2021 You D14/452
 D939,517 S * 12/2021 You D14/452
 2012/0267497 A1* 10/2012 Bowman F16M 11/2014
 248/280.11
 2014/0367137 A1* 12/2014 Leung F16M 11/2014
 174/68.3
 2016/0352054 A1* 12/2016 Xiang F16M 11/2007
 2019/0301670 A1* 10/2019 Glickstein F16M 11/2064

FOREIGN PATENT DOCUMENTS

EM	005665445-0001	12/2018
EM	006592861-0001	7/2019
EM	007303185-0005	12/2019
EM	008049092-0001	7/2020
EM	008171557-0012	9/2020
EM	008262984-0004	* 1/2021
EM	008361240-0002	4/2021
EM	008556070-0001	* 6/2021
EM	008556070-0002	* 6/2021
GB	6092874	* 6/2020
GB	6158797	* 9/2021

OTHER PUBLICATIONS

Amazon. Link: https://www.amazon.com/MOUNTUP-Adjustable-Die-Cast-Aluminum-MU0022/dp/B0875NQFTG/ref=sr_1_1?crd=1WJ1D7BTXZPEV&keywords=B0875NQFTG&qid=1640204581&s=office-products&sprefix=b0875nqftg%2Coffice-products%2C74&sr=1-1. Apr. 16, 2020. MOUNTUP Single Monitor Desk Mount (Year: 2020).*

Amazon. Link: https://www.amazon.com/Monitor-Adjustable-Articulating-Extended-Mounting/dp/B08G14FLD4/ref=sr_1_1?crd=LGSEX6RNIBAF&keywords=B08G14FLD4&qid=1640204854&s=office-products&sprefix=b08g14fld4%2Coffice-products%2C72&sr=1-1. Nov. 10, 2020. ErGear Monitor Wall Mount Bracket. (Year: 2020).*

Ergotron. Link: <https://www.ergotron.com/hi-in/products/product-details/45-295#?color=polished%20aluminum>. Visited Dec. 22, 2021. LX Desk Monitor Arm, Tall Pole (polished aluminum) (Year: 2021).*

* cited by examiner

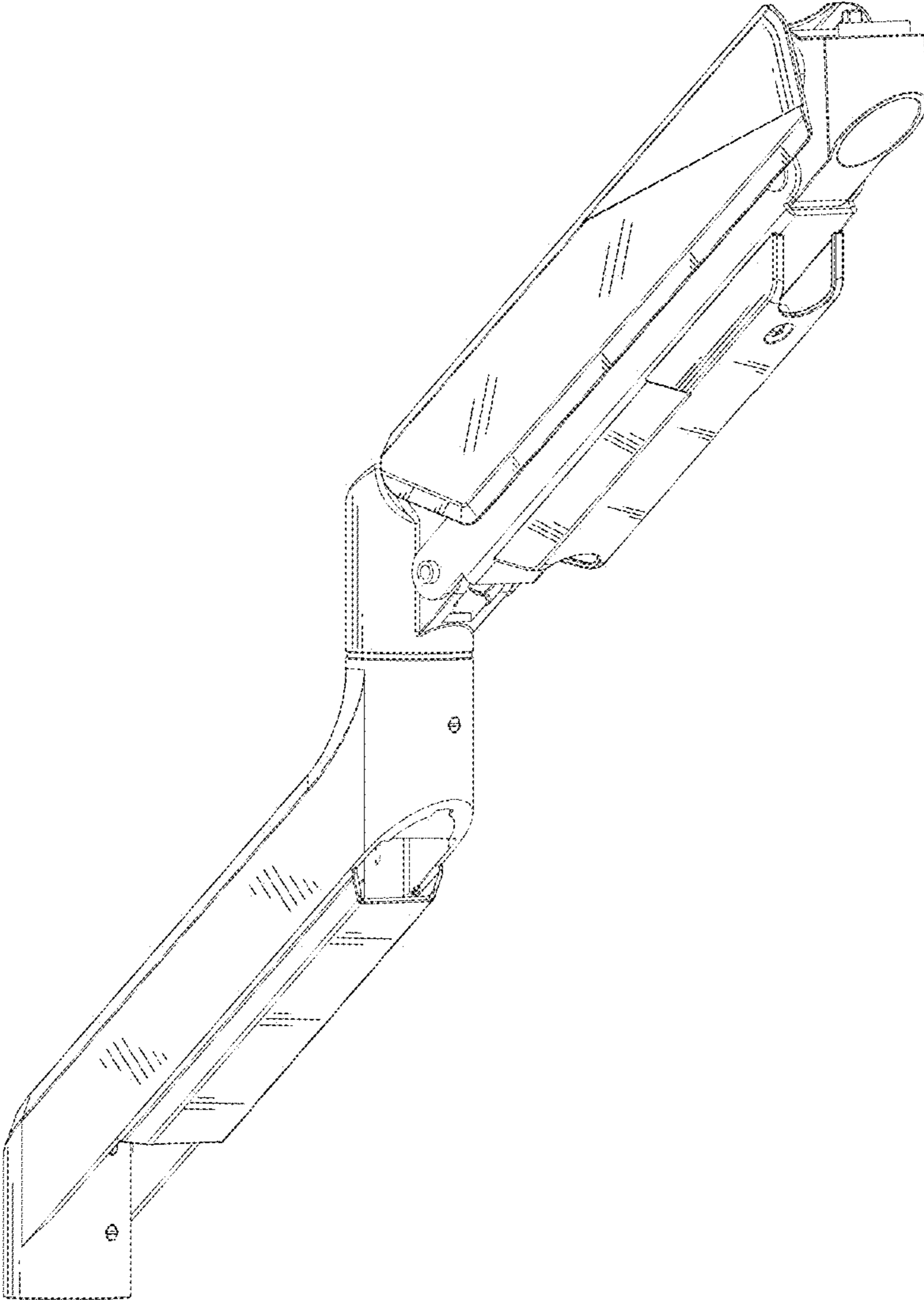


Fig.1

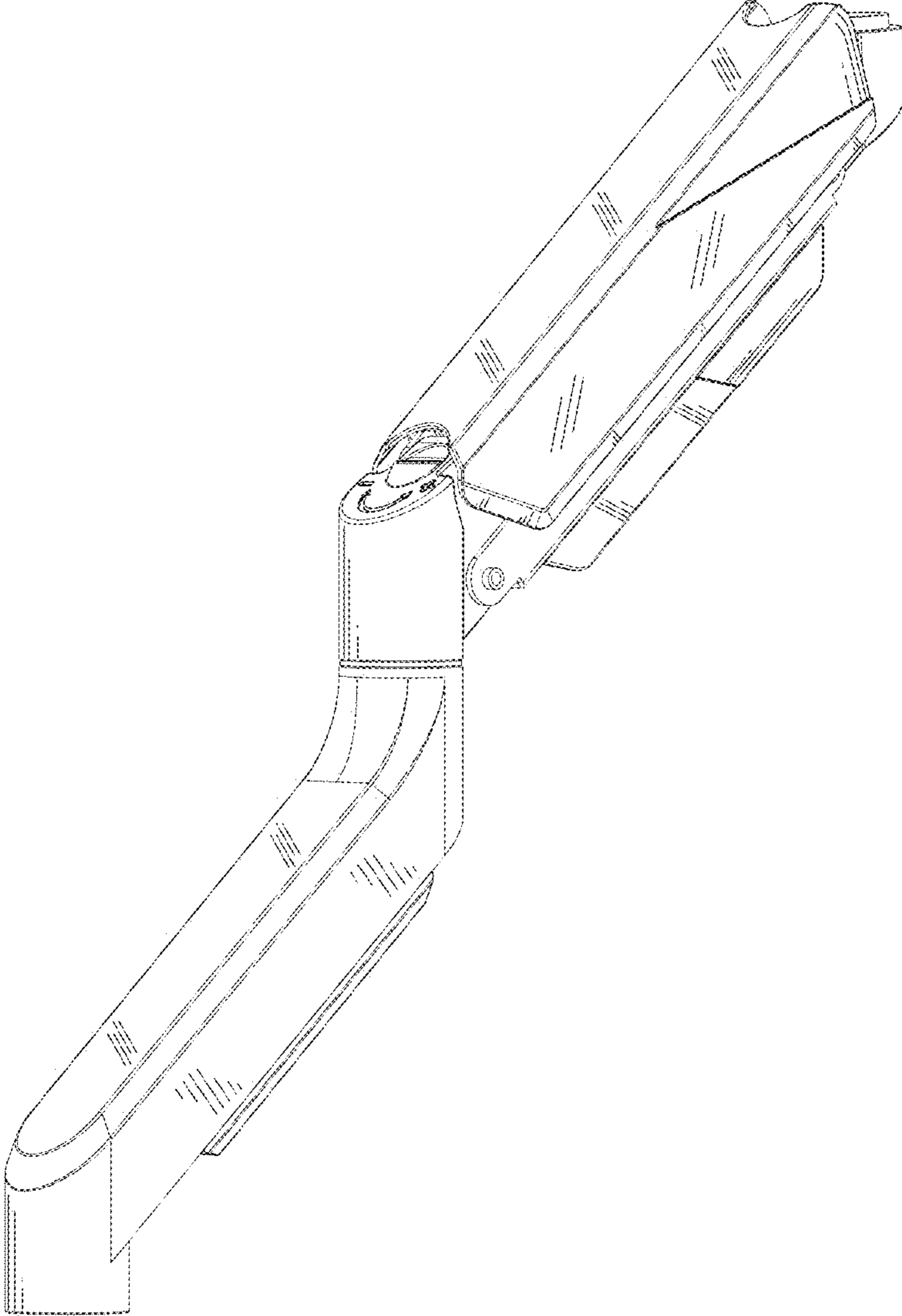


Fig.2

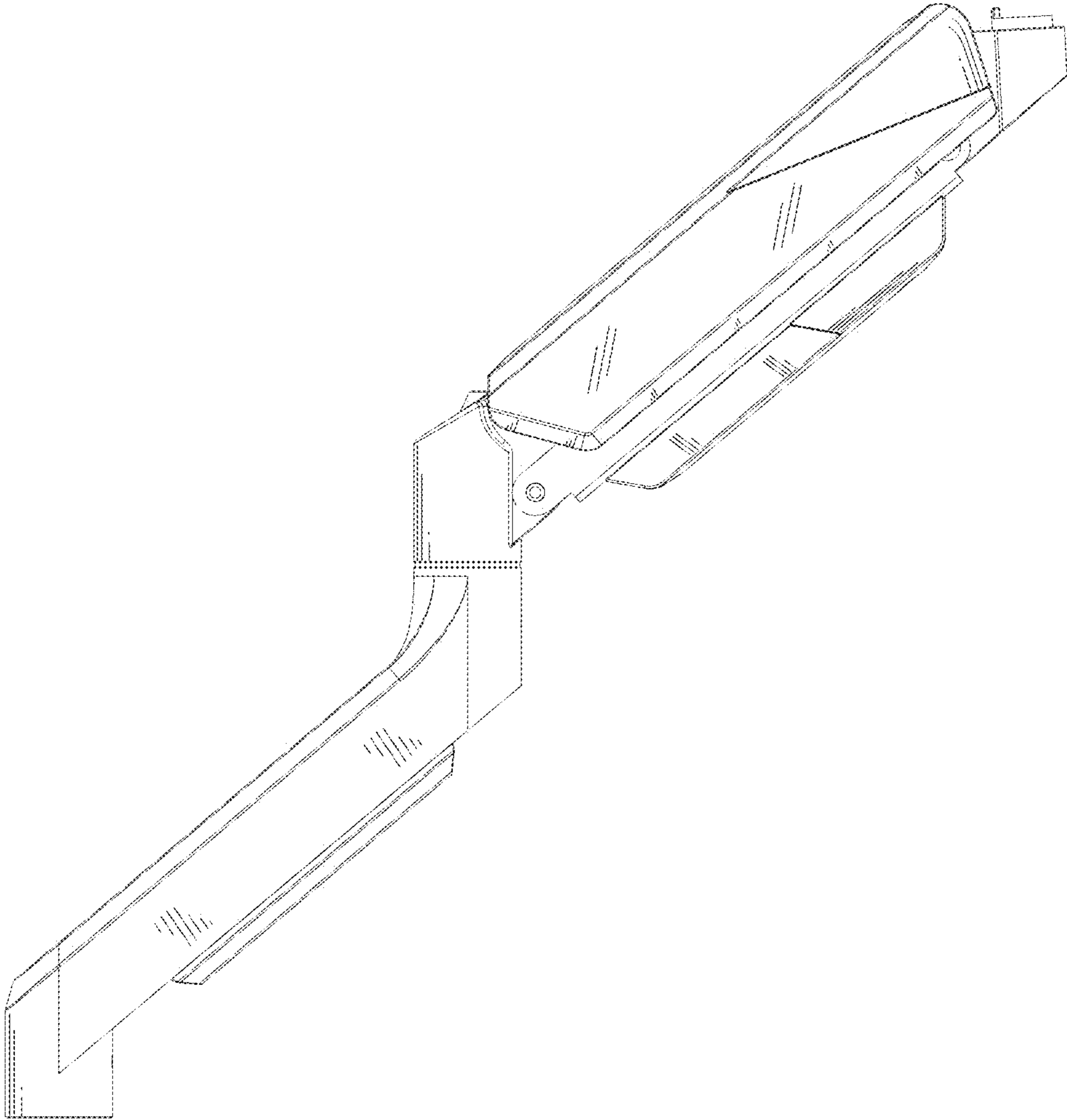


Fig.3

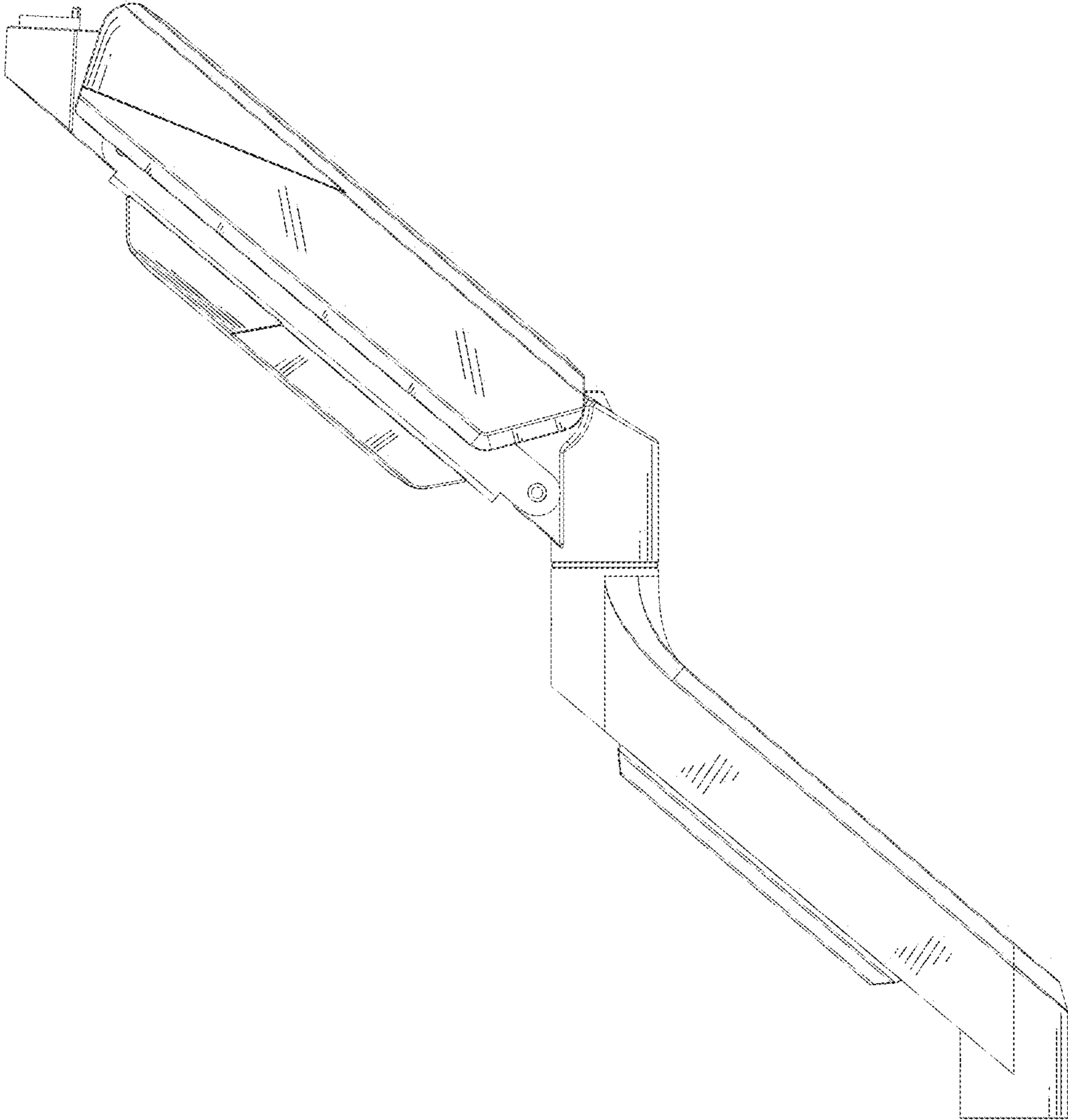


Fig.4

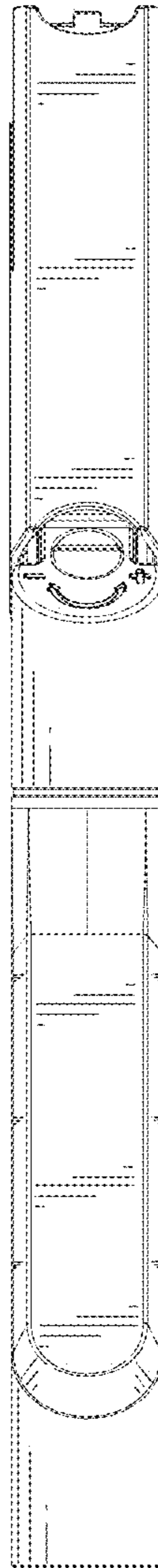


Fig.5

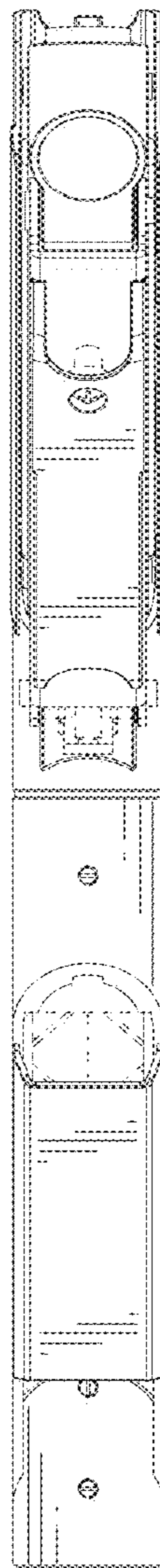


Fig.6

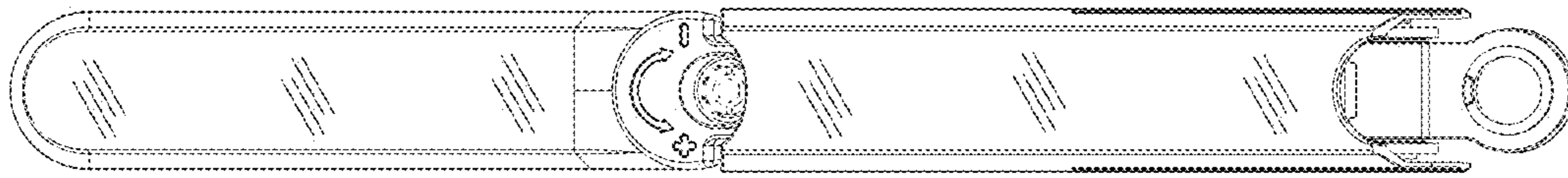


Fig.7

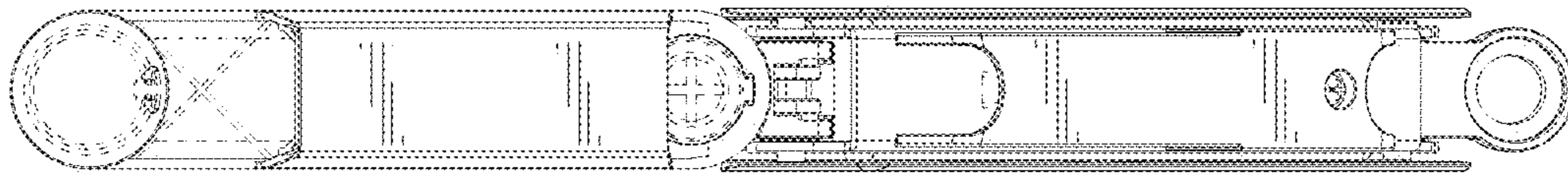


Fig.8

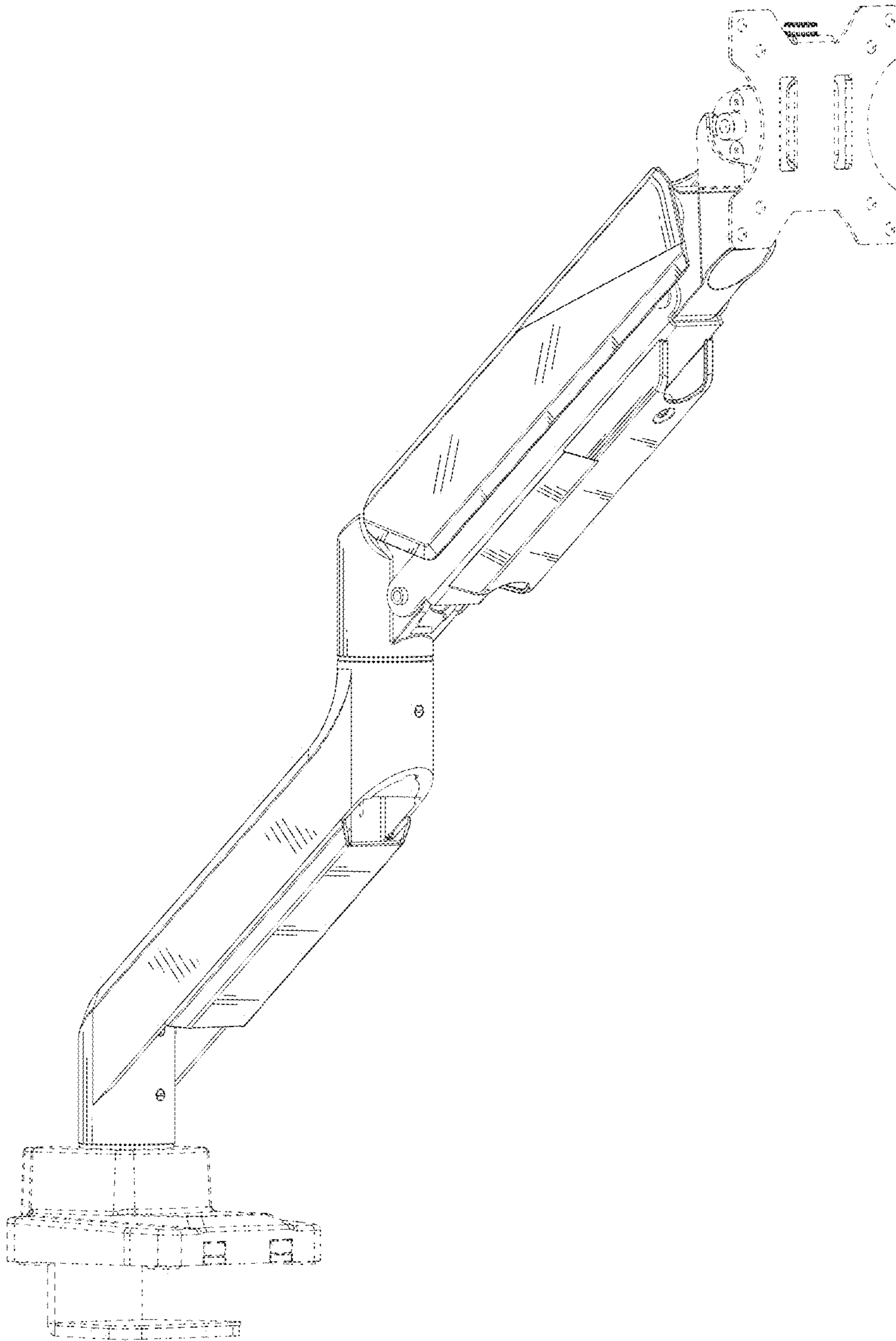


Fig.9