



US00D956767S

(12) **United States Design Patent**  
**Shortt**

(10) **Patent No.:** **US D956,767 S**

(45) **Date of Patent:** **\*\* Jul. 5, 2022**

- (54) **ELECTRONIC DEVICE CLIP**
- (71) Applicant: **JS Design Concepts Limited,**  
Termonfeckin (IE)
- (72) Inventor: **Joe Shortt,** Termonfeckin (IE)
- (73) Assignee: **JS Design Concepts Limited,**  
Termonfeckin (IE)
- (\*\*) Term: **15 Years**
- (21) Appl. No.: **29/750,205**
- (22) Filed: **Sep. 11, 2020**
- (51) **LOC (13) Cl.** ..... **08-07**
- (52) **U.S. Cl.**  
USPC ..... **D14/447**
- (58) **Field of Classification Search**  
USPC ..... D14/447, 432, 434, 439, 440, 451, 452,  
D14/457, 239, 253; D8/363, 373, 380;  
D6/406.3, 406.4, 406.5, 406.6; D12/415;  
D13/108  
CPC ..... A47B 21/04; A47B 2097/006; A47B  
2097/005; A47B 2023/049; A45C  
2011/002; A45C 2011/003; F16M  
2200/00; F16M 13/00  
See application file for complete search history.

- D721,712 S \* 1/2015 Byrne ..... D14/447
- D751,431 S \* 3/2016 Browning ..... D10/74
- D783,013 S \* 4/2017 Chun ..... D14/253
- D795,240 S \* 8/2017 Kaufman ..... D14/253
- D861,002 S \* 9/2019 Bergeron-Mirsky ..... D14/447
- D879,753 S \* 3/2020 Boggs ..... D14/240
- D915,413 S \* 4/2021 Lou ..... D14/447

\* cited by examiner

*Primary Examiner* — Angela J Lee

(74) *Attorney, Agent, or Firm* — Shumaker, Loop &  
Kendrick, LLP; Jeffrey B. Fabian

(57) **CLAIM**

The ornamental design for an electronic device clip, as shown and described.

**DESCRIPTION**

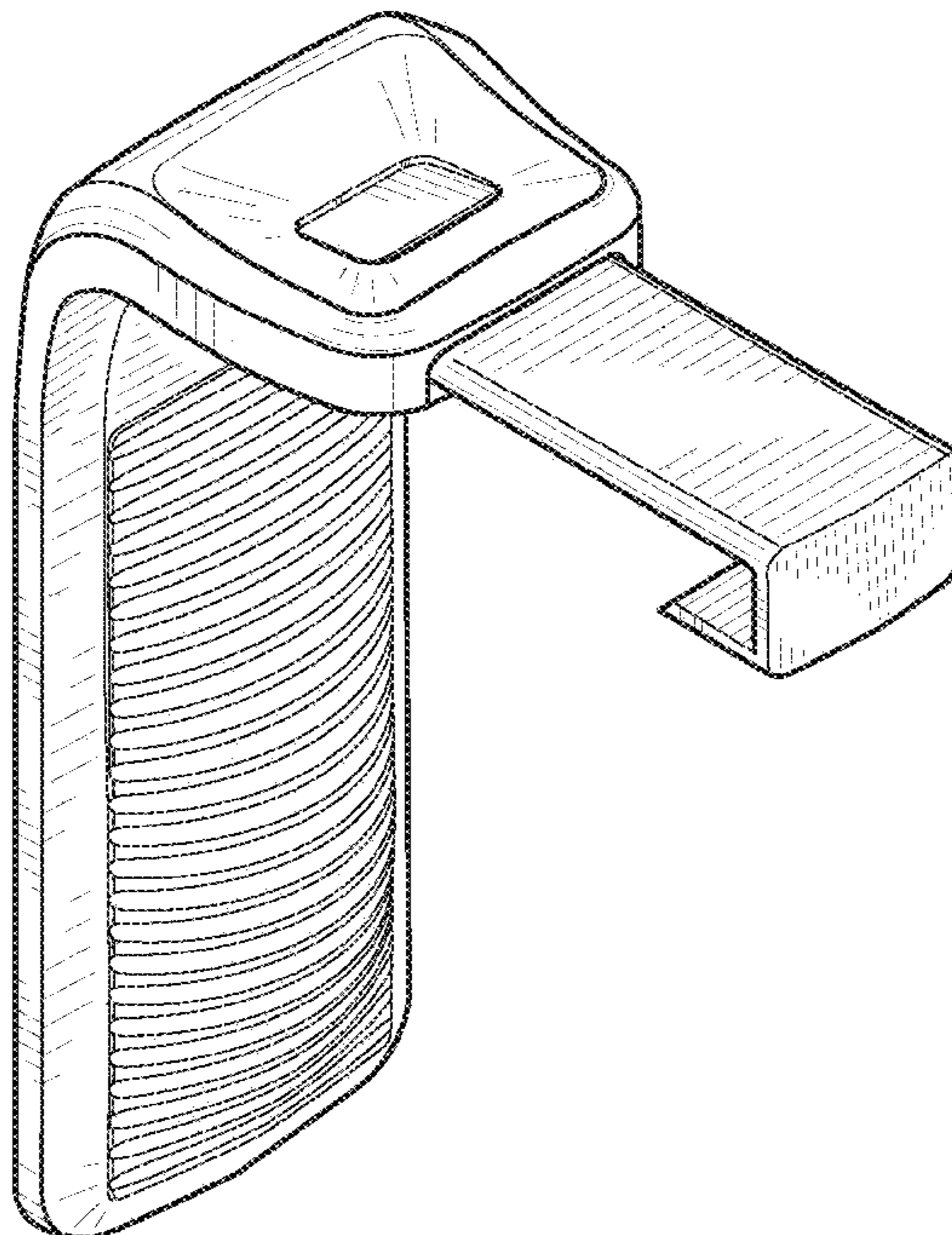
FIG. 1 is a top, perspective view of a first embodiment of the electronic device clip according to the new design;  
 FIG. 2 is a bottom, perspective view thereof;  
 FIG. 3 is a front view thereof;  
 FIG. 4 is a rear view thereof;  
 FIG. 5 right side view thereof;  
 FIG. 6 is a left side view thereof;  
 FIG. 7 is a bottom view thereof; and  
 FIG. 8 is a top view thereof.  
 FIG. 9 is a top, perspective view of a second embodiment of the electronic device clip according to the new design;  
 FIG. 10 is a bottom, perspective view thereof;  
 FIG. 11 is a front view thereof;  
 FIG. 12 is a rear view thereof;  
 FIG. 13 right side view thereof;  
 FIG. 14 is a left side view thereof;  
 FIG. 15 is a bottom view thereof; and,  
 FIG. 16 is a top view thereof.

**1 Claim, 10 Drawing Sheets**

(56) **References Cited**

**U.S. PATENT DOCUMENTS**

- D592,669 S \* 5/2009 Malisse ..... D14/451
- D666,995 S \* 9/2012 TerMeer ..... D14/217
- D673,573 S \* 1/2013 Skene ..... D14/447
- D692,435 S \* 10/2013 Bremenkamp ..... D14/447
- D692,899 S \* 11/2013 Bremenkamp ..... D14/447
- D697,920 S \* 1/2014 Fujioka ..... D14/447



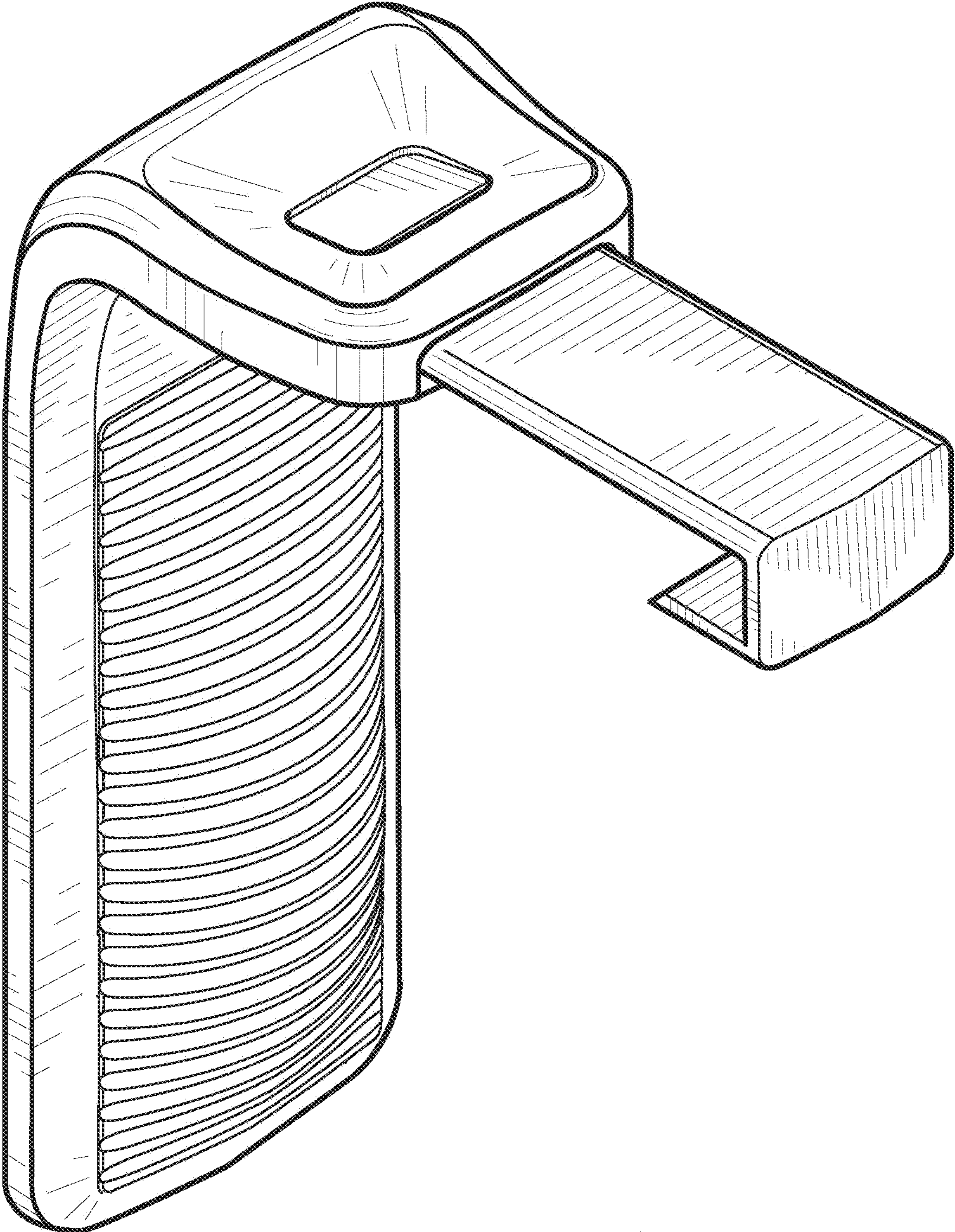


FIG. 1



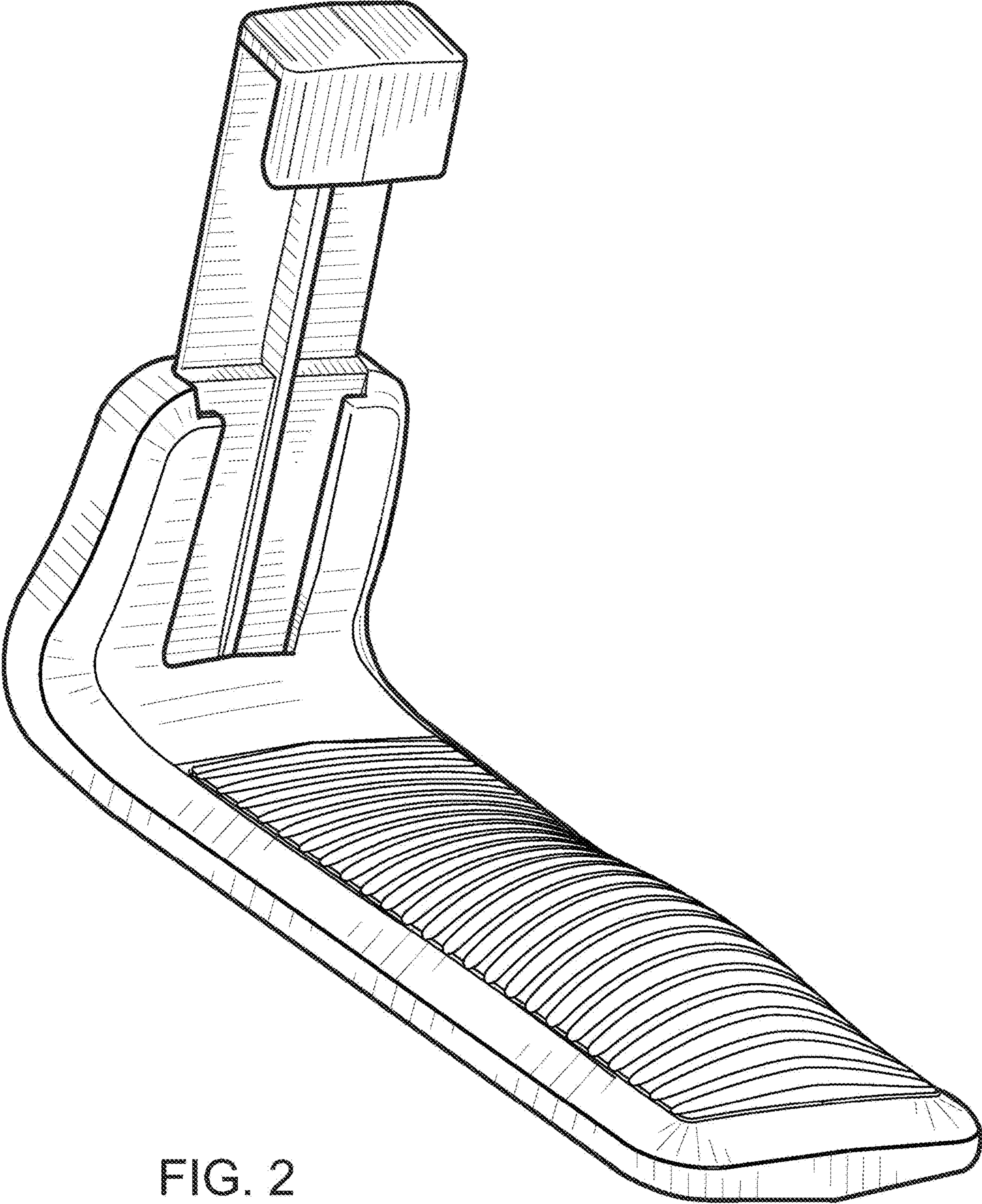


FIG. 2

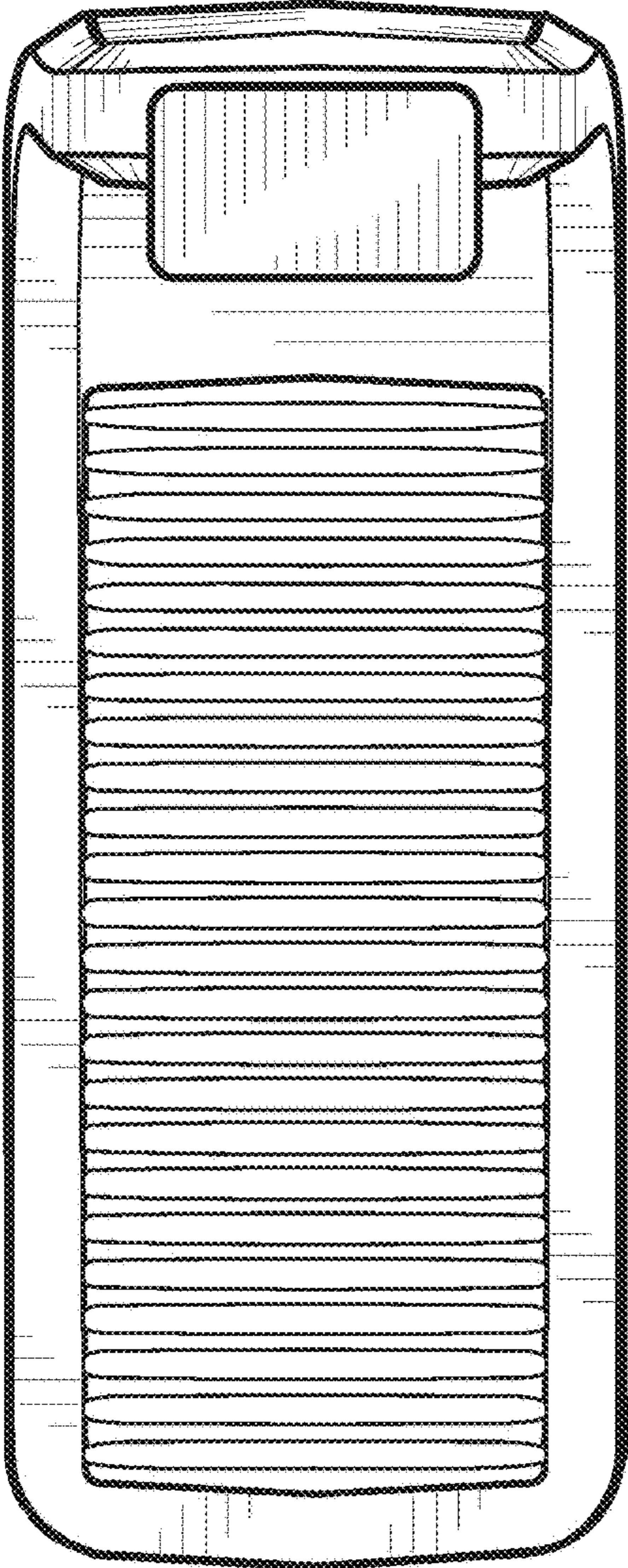


FIG. 3

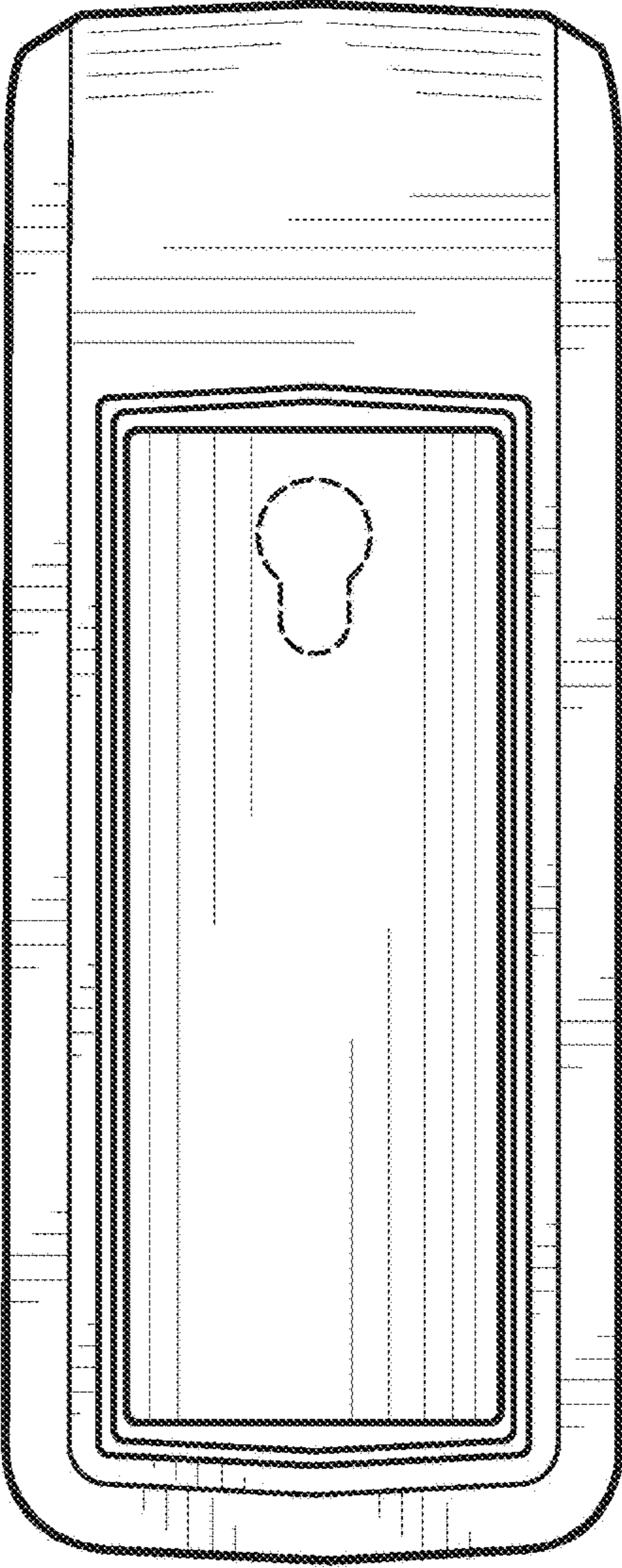


FIG. 4



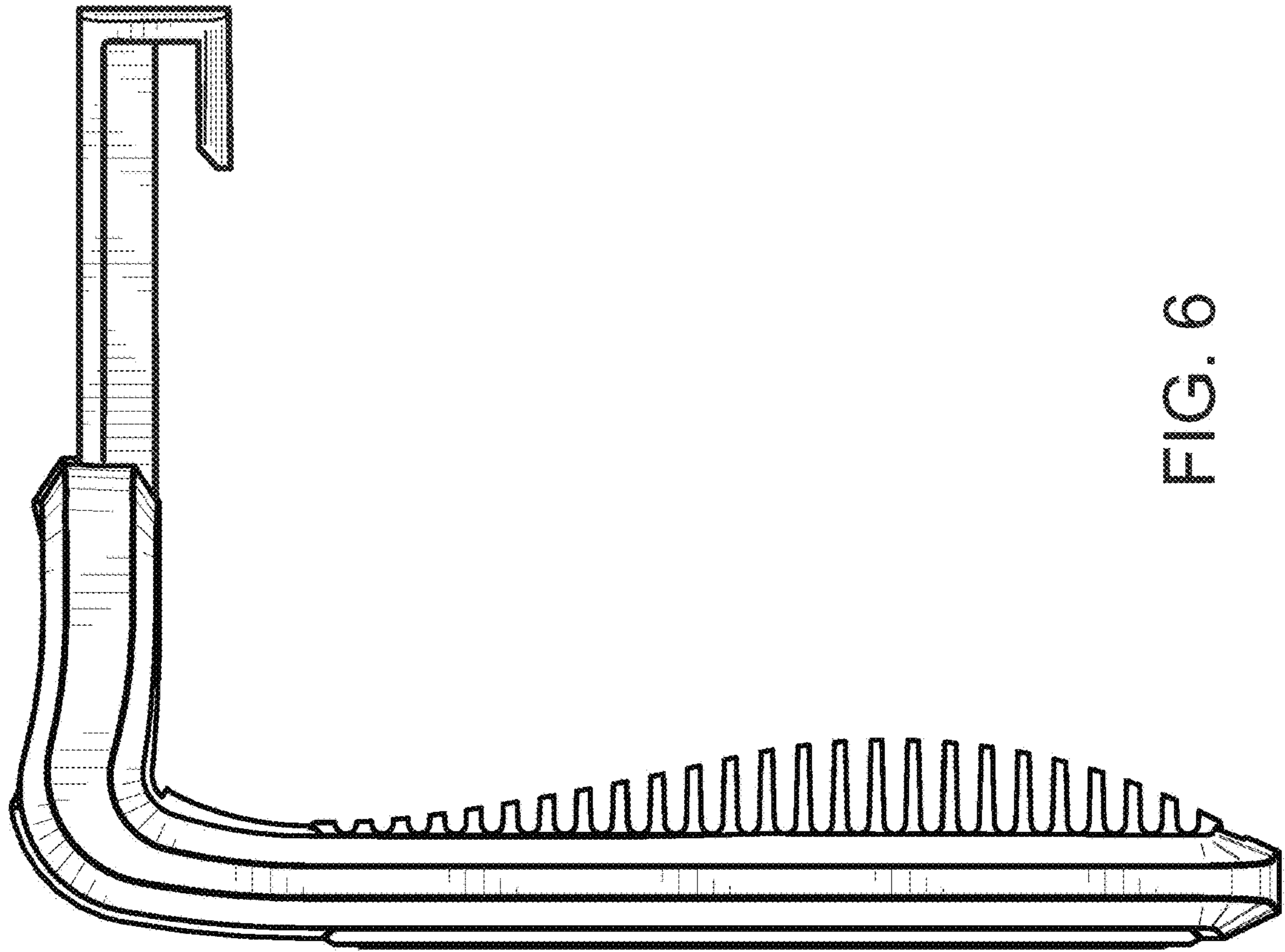


FIG. 6

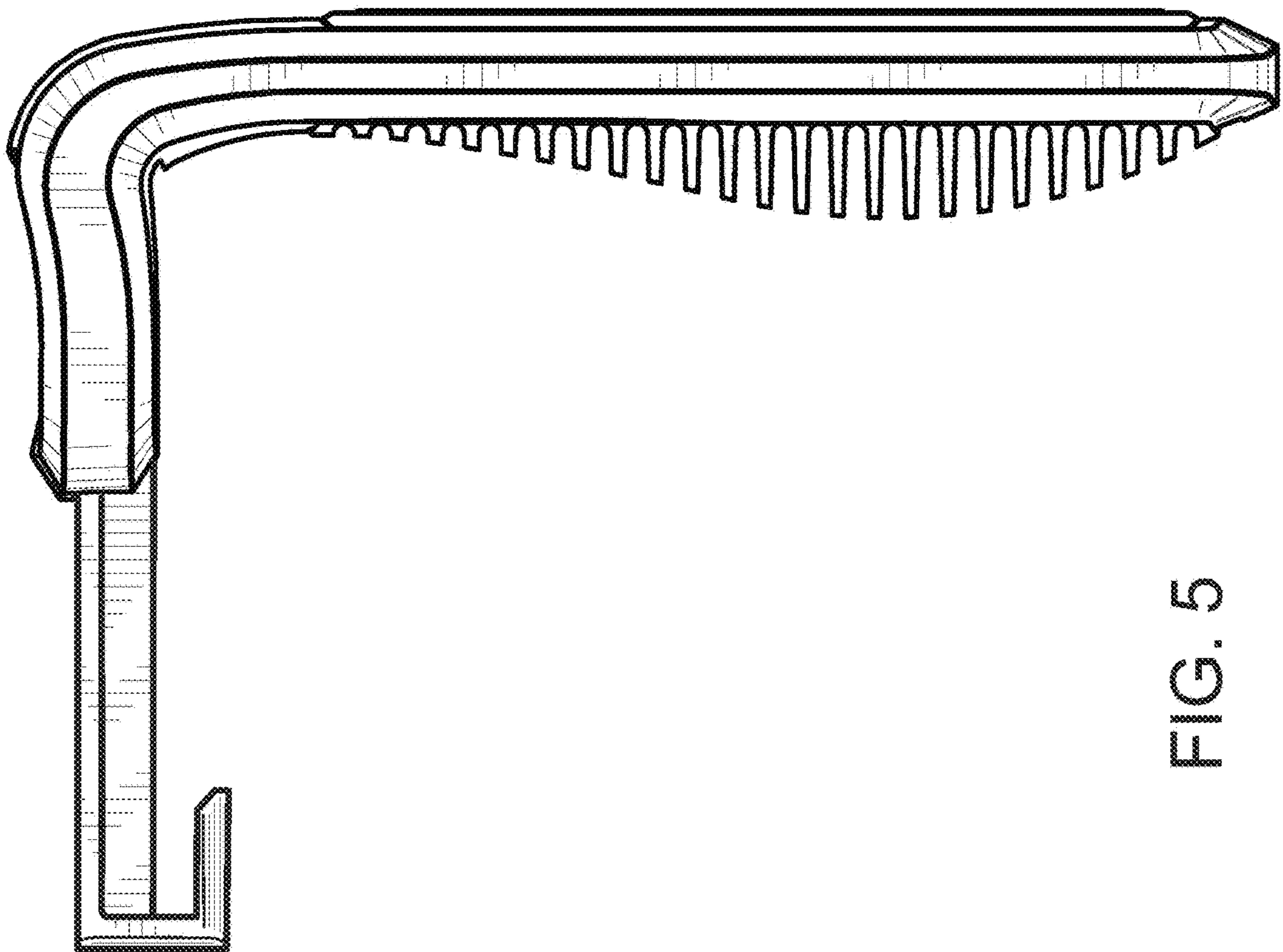


FIG. 5

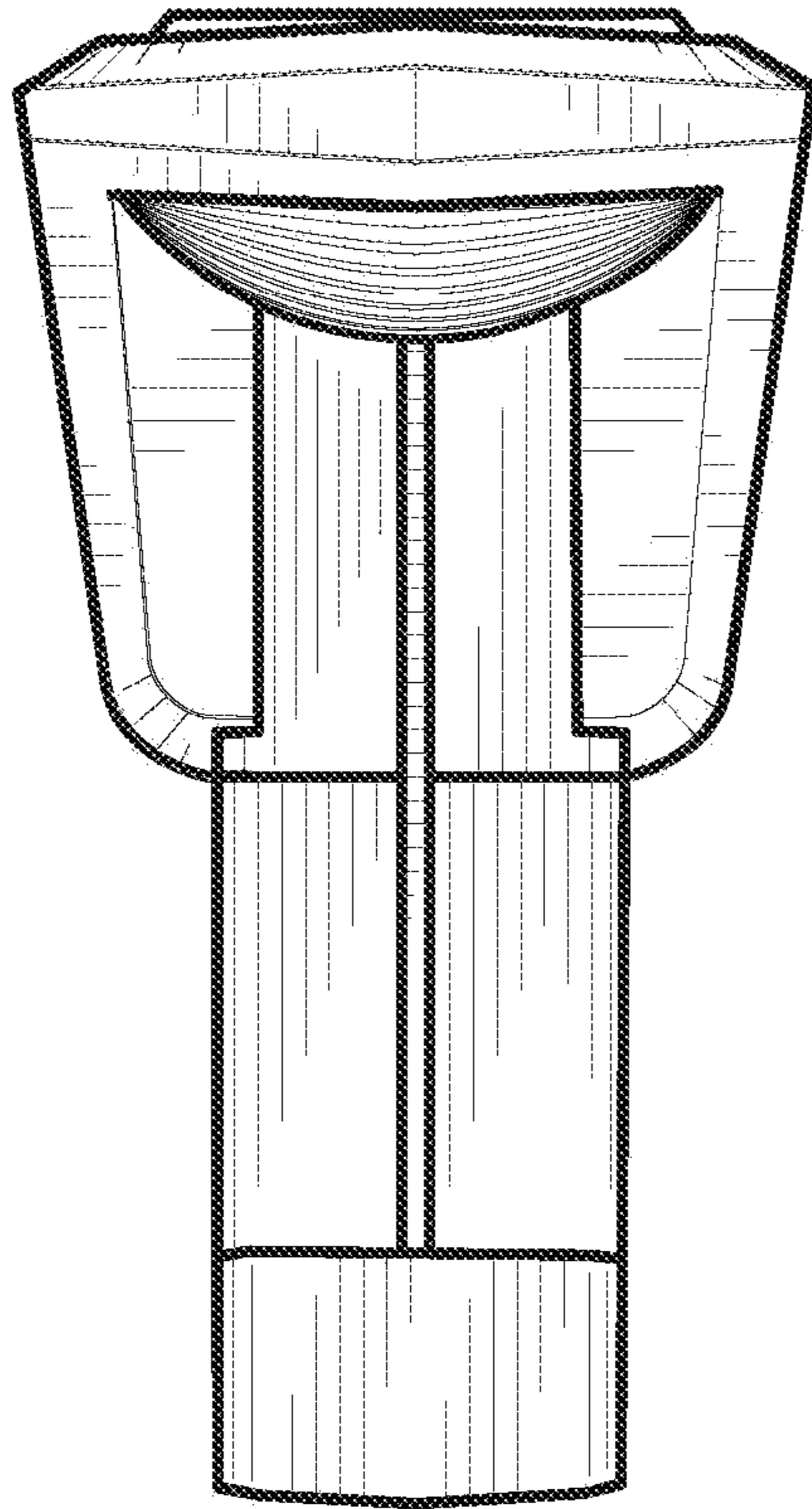


FIG. 7

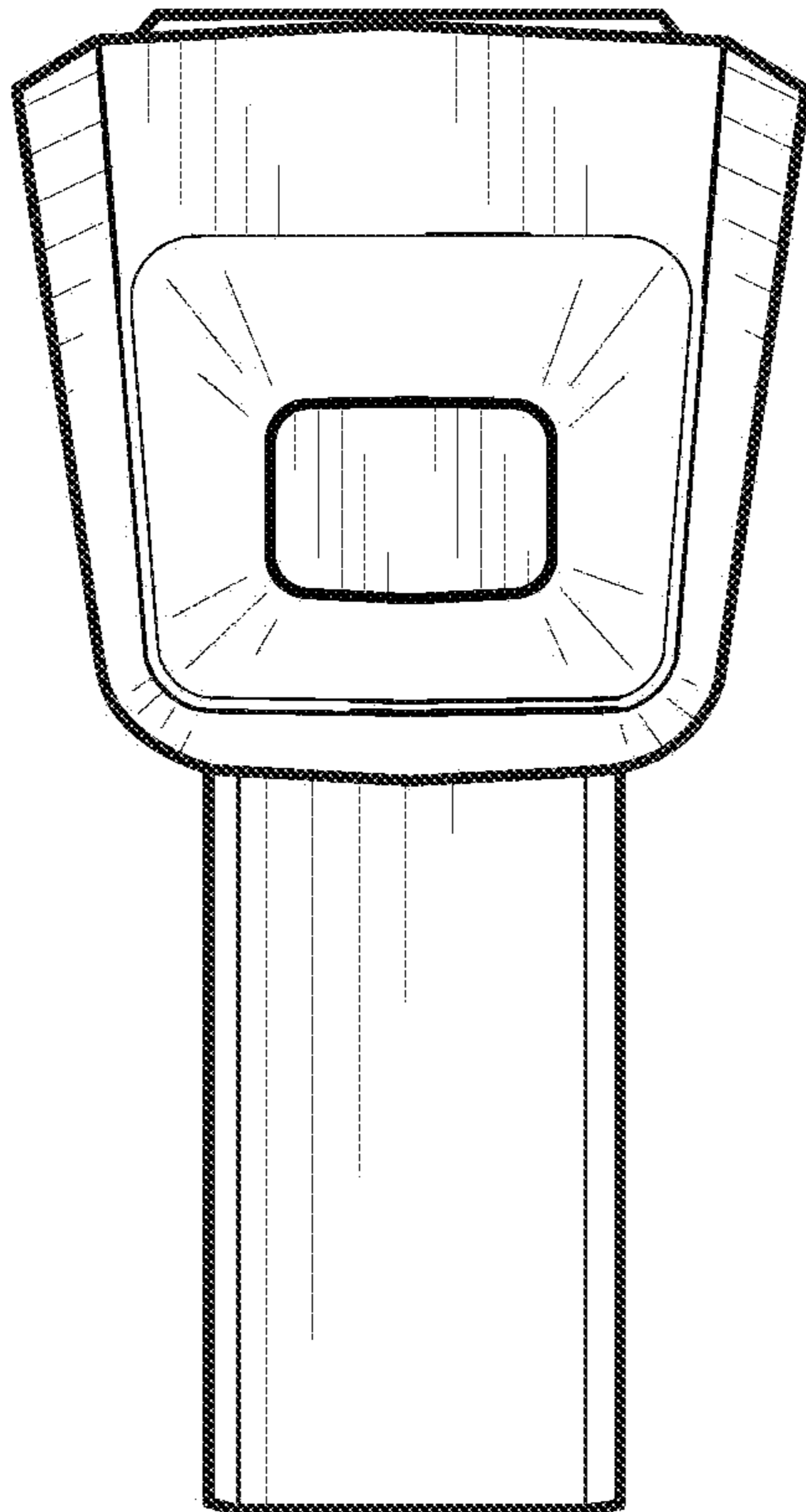


FIG. 8

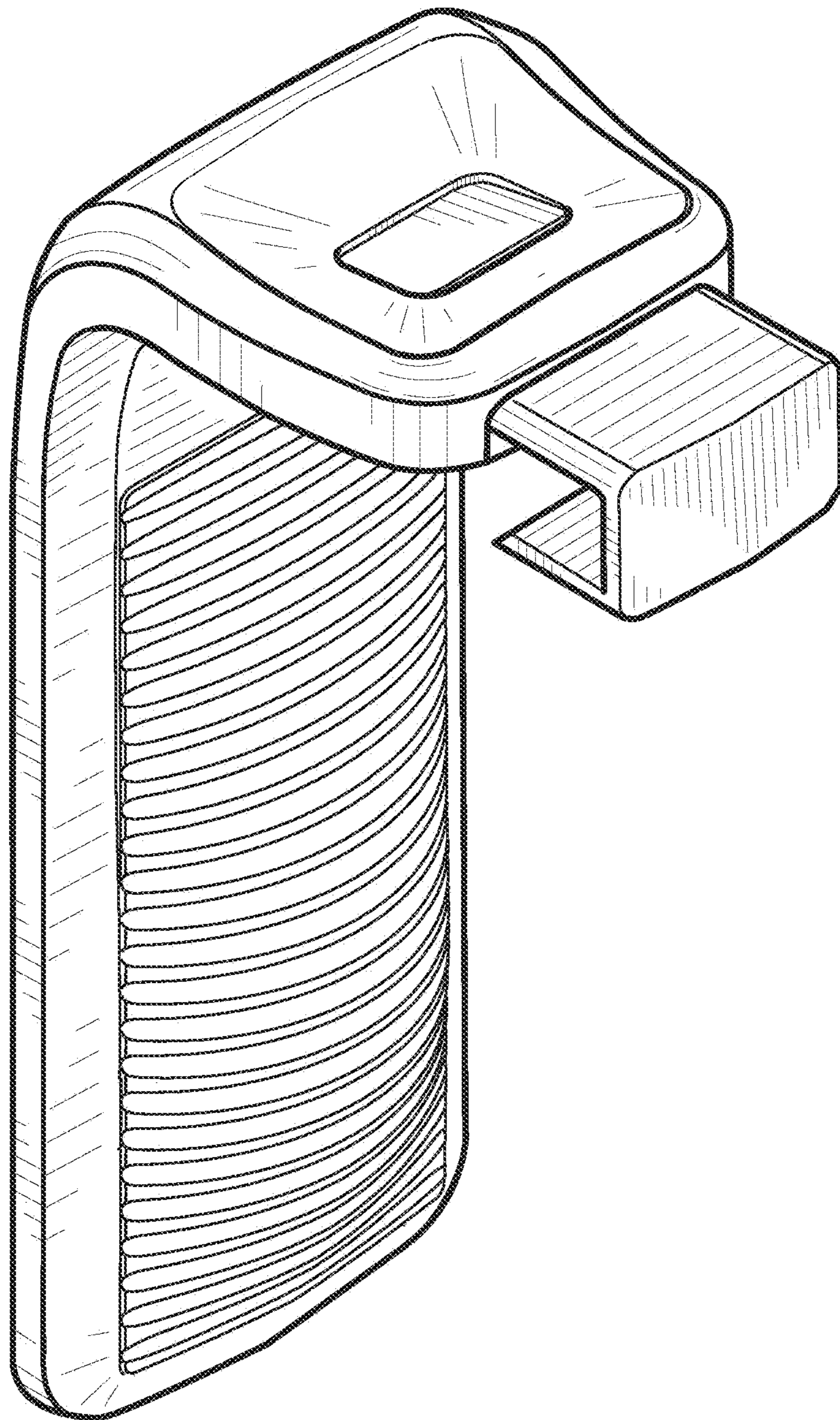


FIG. 9



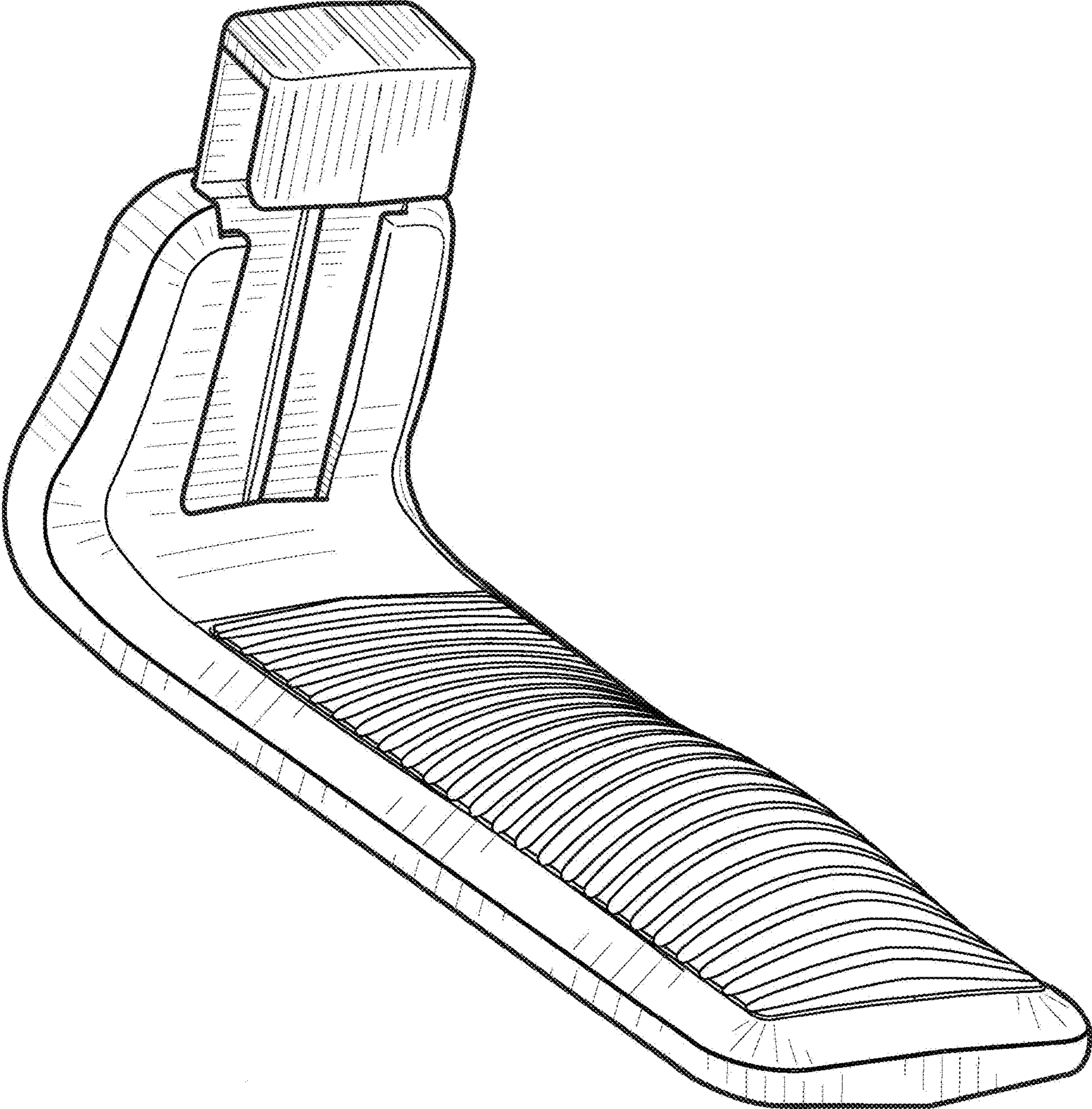


FIG. 10



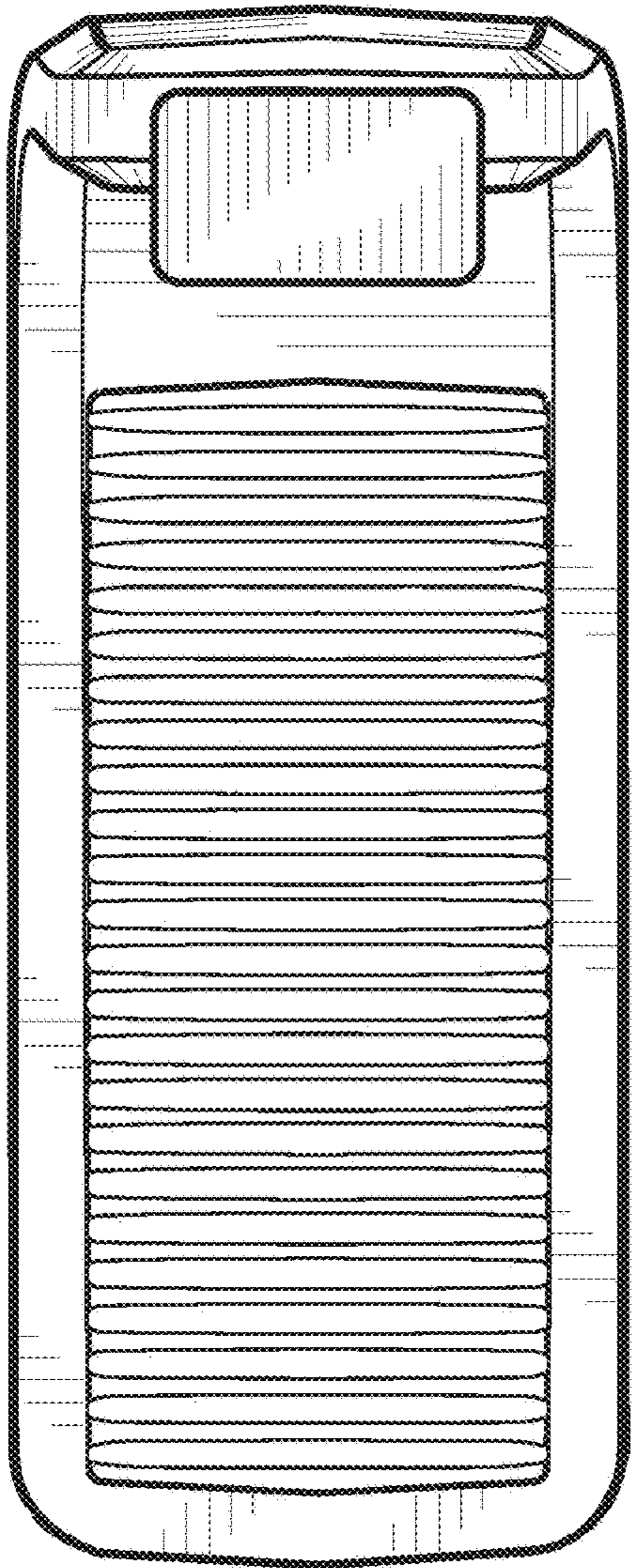


FIG. 11

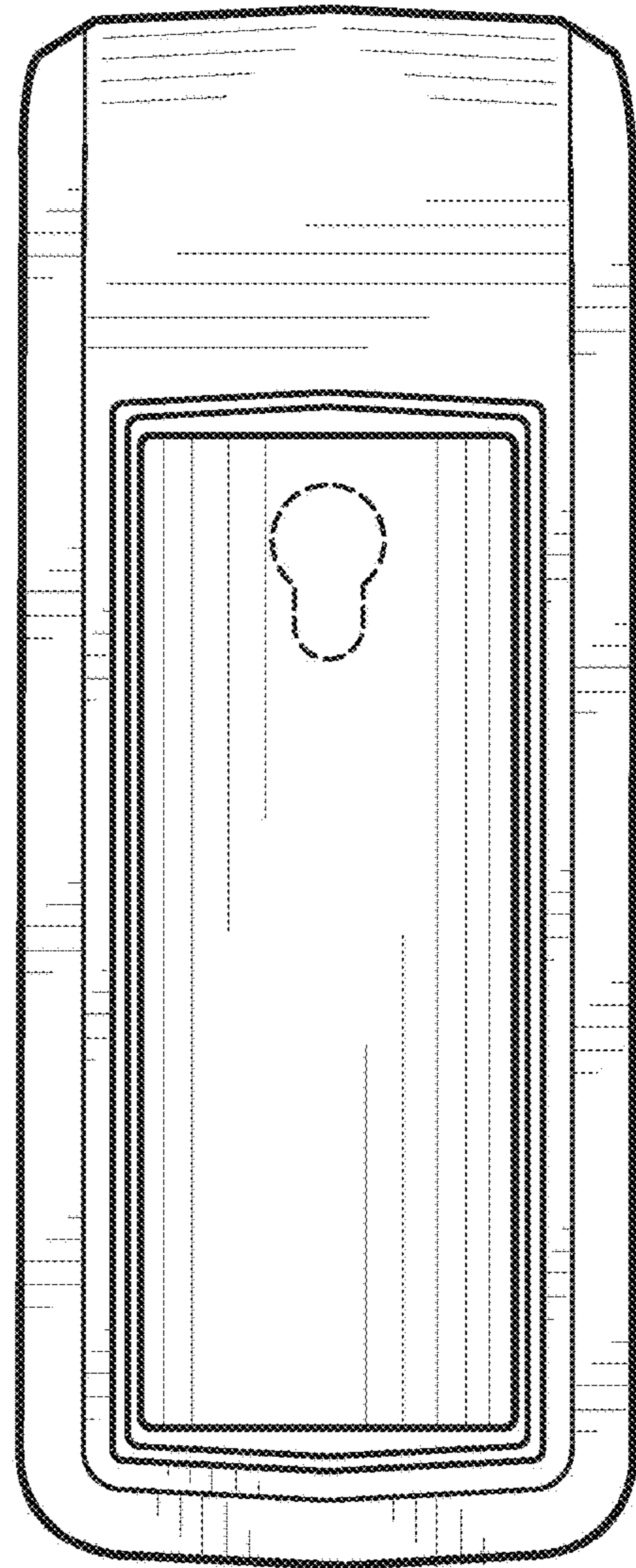


FIG. 12

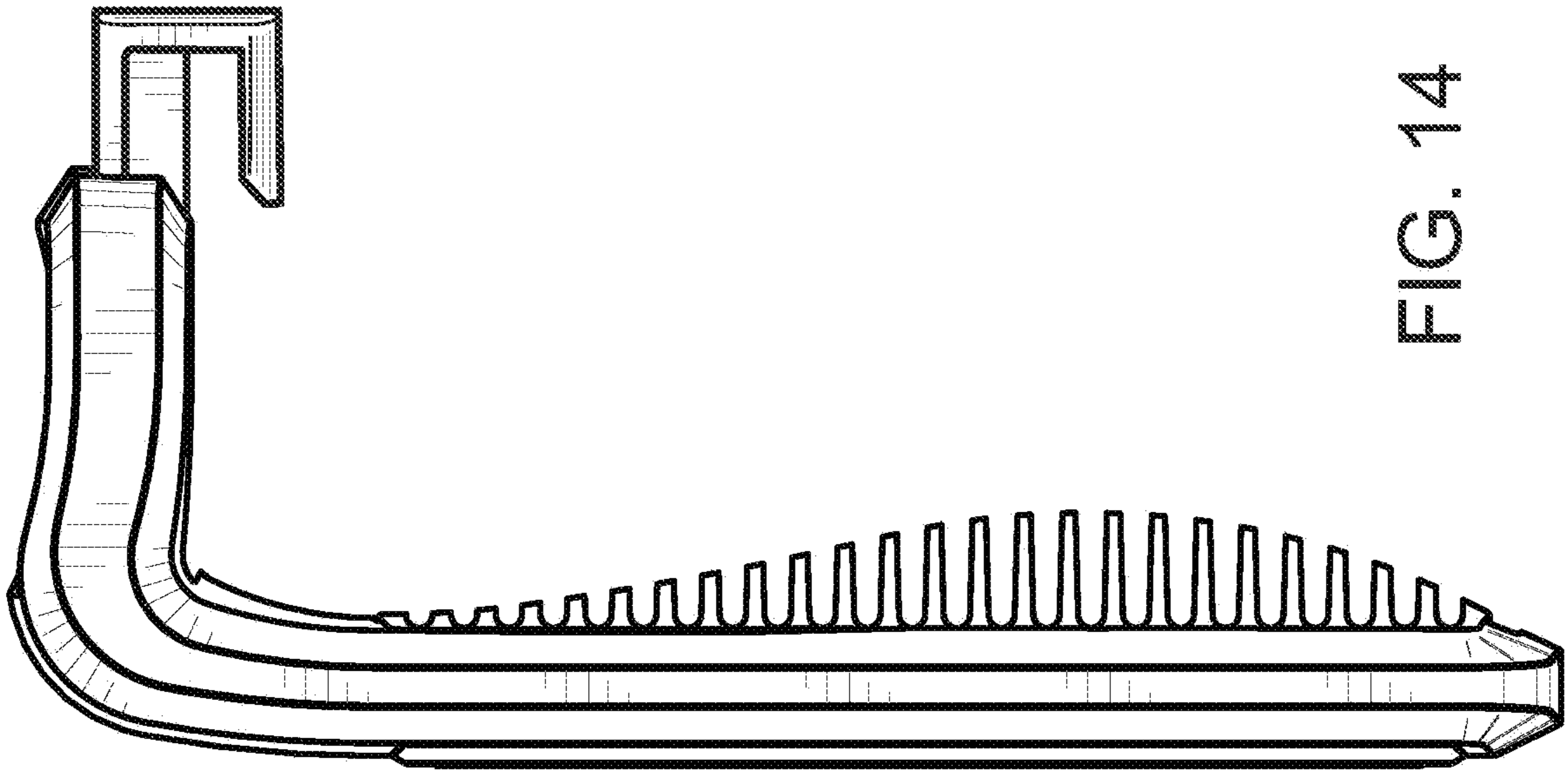


FIG. 13

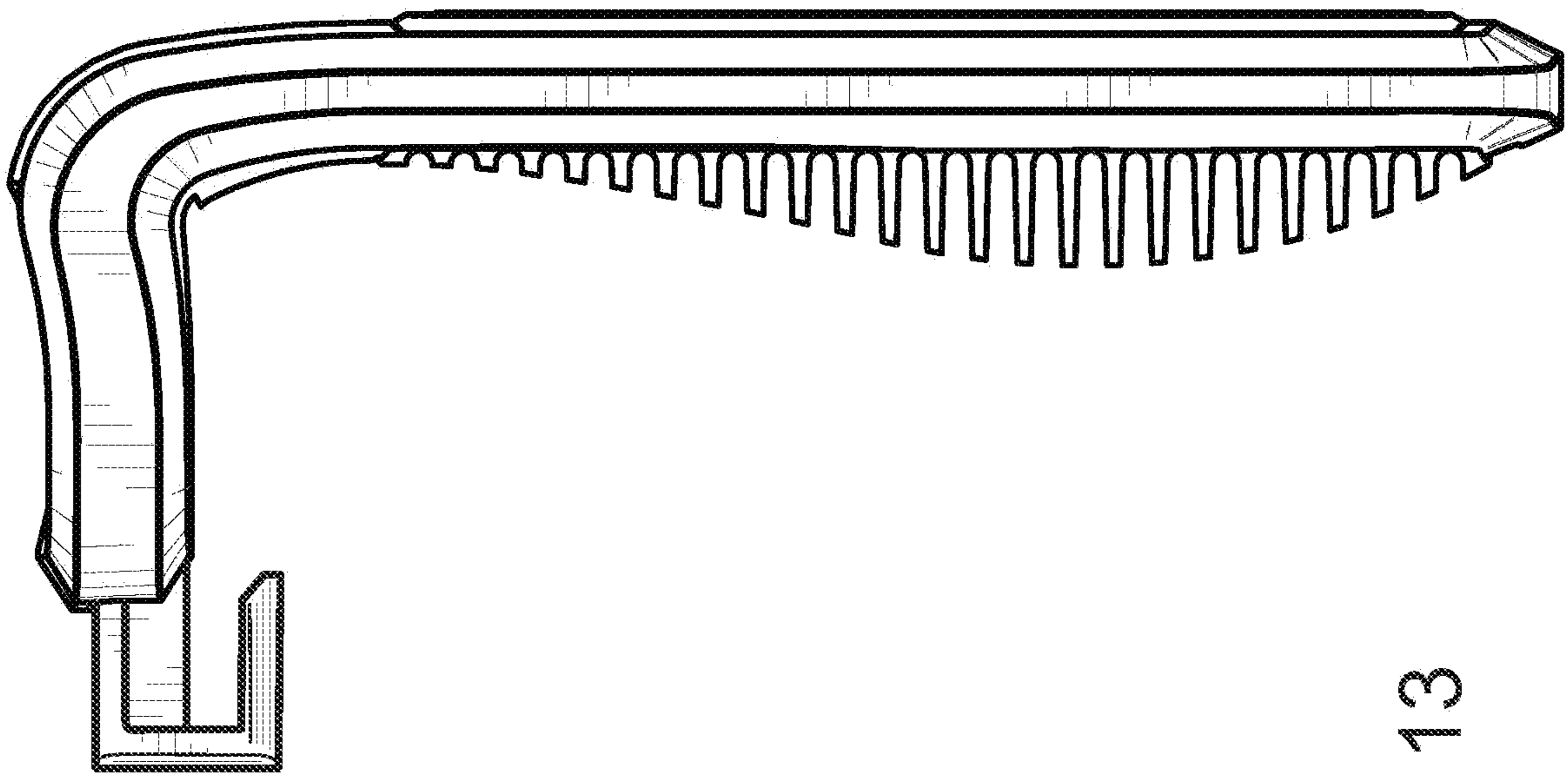


FIG. 14



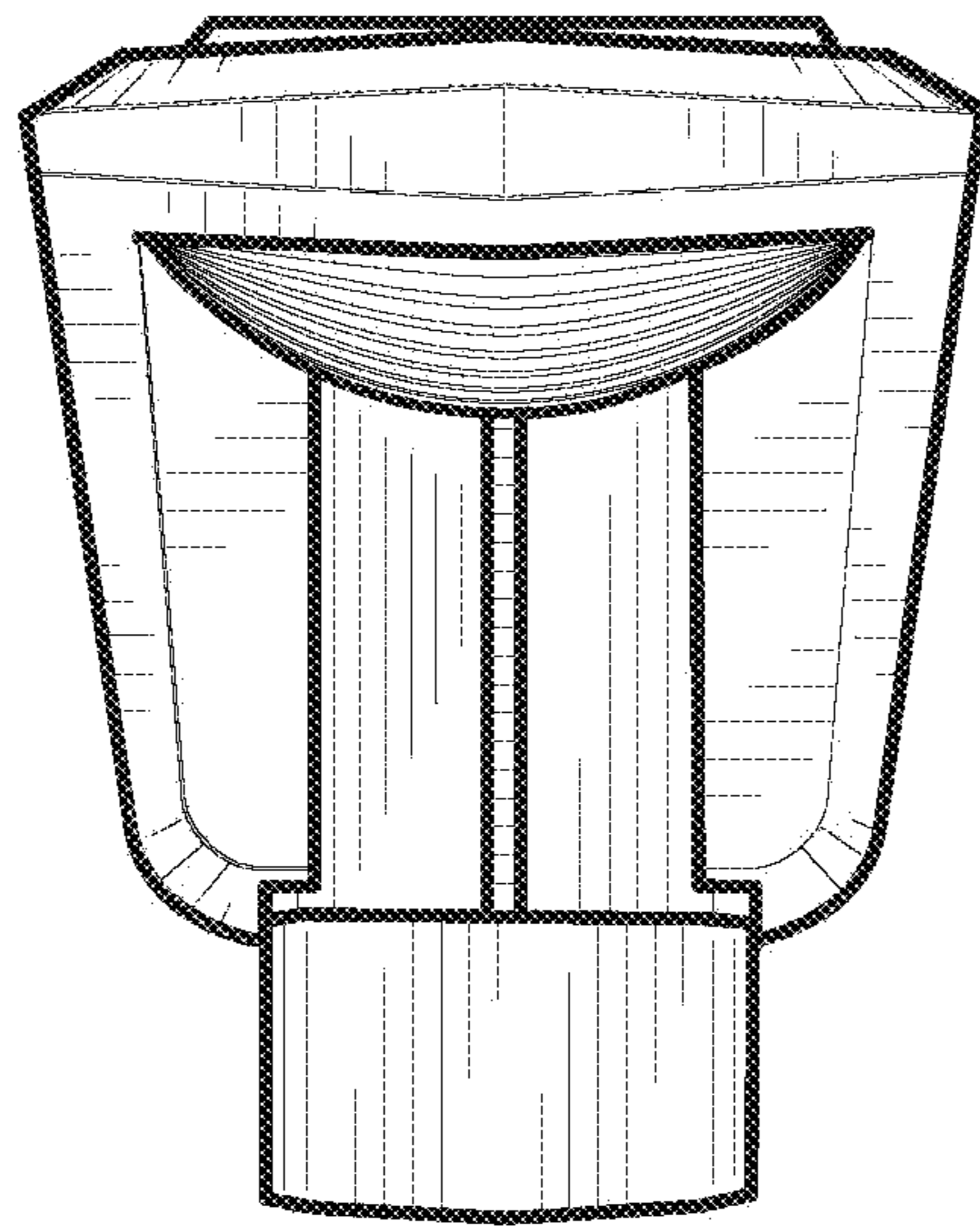


FIG. 15

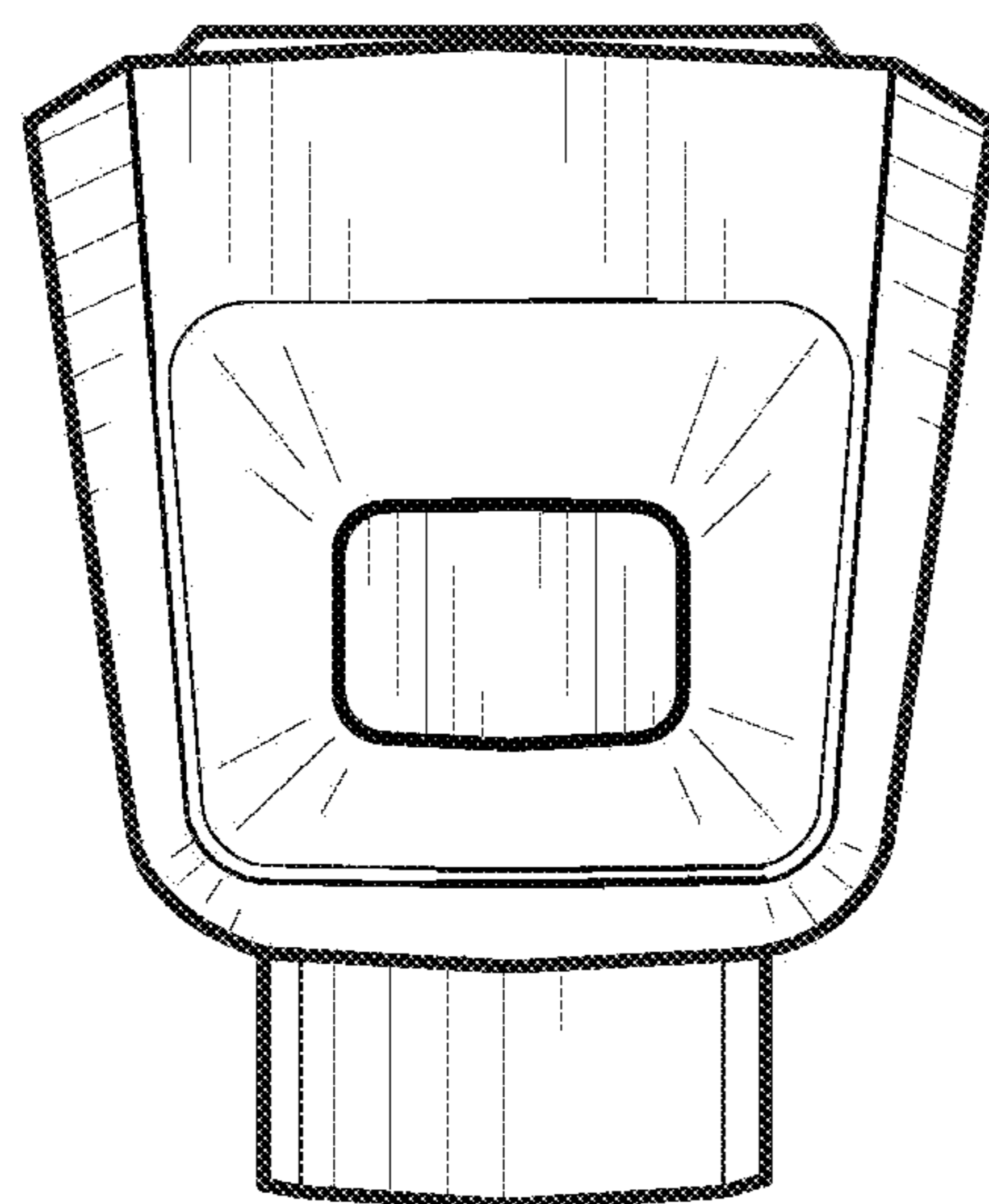


FIG. 16