



US00D956766S

(12) **United States Design Patent**
Wei

(10) **Patent No.:** **US D956,766 S**
(45) **Date of Patent:** **** Jul. 5, 2022**

- (54) **PROTECTIVE CASE FOR TABLET COMPUTER**
- (71) Applicant: **Qingling Wei**, Guangdong (CN)
- (72) Inventor: **Qingling Wei**, Guangdong (CN)
- (73) Assignee: **SHENZHEN LAUDTEC ELECTRONICS CO., LTD.**, Shenzhen (CN)
- (**) Term: **15 Years**
- (21) Appl. No.: **29/802,610**
- (22) Filed: **Aug. 6, 2021**
- (51) **LOC (13) Cl.** **14-02**
- (52) **U.S. Cl.**
USPC **D14/440**
- (58) **Field of Classification Search**
USPC D14/440, 447; 206/45.23, 320, 45.2, 206/224; 361/679.55; 294/25; 224/218; 455/575.8
CPC G06F 1/1628; G06F 1/1626; G06F 1/1669; G06F 1/1679; A47B 23/044; H04B 1/3888; A45C 11/00
See application file for complete search history.

D854,022 S *	7/2019	Chen	D14/440
D860,212 S *	9/2019	Ahn	D14/440
D862,478 S *	10/2019	Ahn	D14/440
D862,479 S *	10/2019	Ahn	D14/440
D862,480 S *	10/2019	Chan	D14/440
D863,313 S *	10/2019	Li	D14/440
D879,104 S *	3/2020	Li	D14/440
D879,105 S *	3/2020	Li	D14/440
D881,196 S *	4/2020	Zanxiang	D14/440
D883,988 S *	5/2020	Li	D14/440
D884,709 S *	5/2020	Cheng	D14/440
D885,399 S *	5/2020	Chen	D14/440
D886,109 S *	6/2020	Li	D14/440
D909,390 S	2/2021	Kim		
D911,350 S *	2/2021	Li	D14/440
D912,677 S *	3/2021	Li	D14/440
D913,294 S *	3/2021	Li	D14/440
D916,708 S *	4/2021	Ke	D14/440
D921,636 S	6/2021	Pearce		
D928,164 S *	8/2021	Li	D14/440
D928,166 S *	8/2021	Hu	D14/440
D931,288 S *	9/2021	Li	D14/440
D937,273 S *	11/2021	Wei	D14/440

(Continued)

Primary Examiner — Cynthia R Underwood

(57) **CLAIM**

The ornamental design for a protective case for tablet computer, as shown and described.

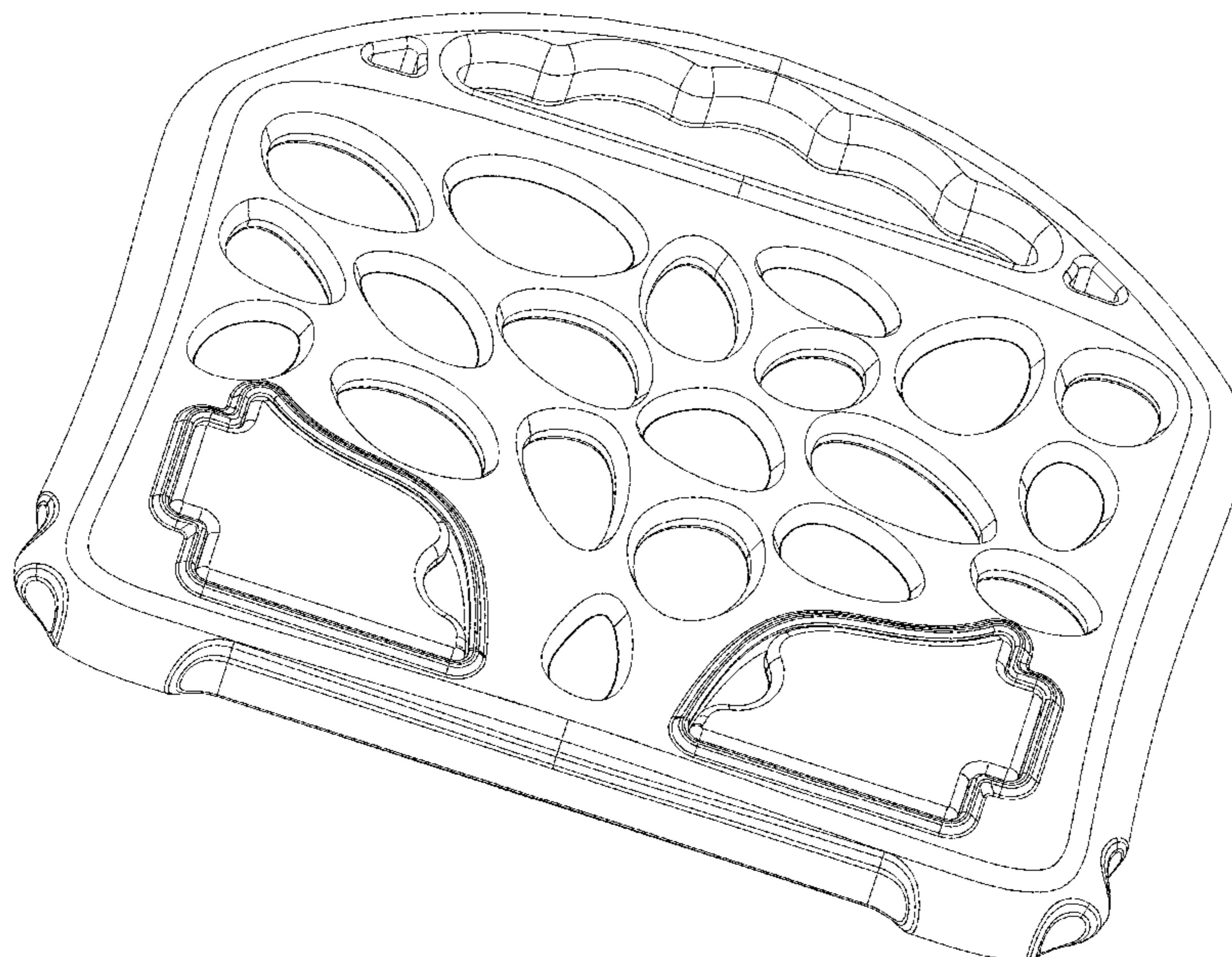
DESCRIPTION

FIG. 1 is a front, bottom perspective view of a protective case for tablet computer showing my new design; FIG. 2 is a rear, bottom, right side perspective view thereof; FIG. 3 is a front elevation view thereof; FIG. 4 is a rear elevation view thereof; FIG. 5 is an enlarged left side elevation view thereof; FIG. 6 is an enlarged right side elevation view thereof; FIG. 7 is an enlarged top plan view thereof; and, FIG. 8 is an enlarged bottom plan view thereof.

1 Claim, 6 Drawing Sheets

(56) **References Cited**
U.S. PATENT DOCUMENTS

D689,056 S *	9/2013	Li	D14/440
D690,704 S *	10/2013	Padilla	D14/440
D727,917 S *	4/2015	Yeo	D14/440
D752,052 S *	3/2016	Park	D14/440
D784,350 S *	4/2017	Li	D14/440
D806,080 S *	12/2017	Chen	D14/440
D807,366 S *	1/2018	Chen	D14/440
D807,369 S *	1/2018	Chen	D14/440
D811,412 S *	2/2018	McCurdy	D14/440
D821,405 S *	6/2018	Chen	D14/440



(56)

References Cited

U.S. PATENT DOCUMENTS

D943,590	S *	2/2022	Price	D14/440
D945,428	S *	3/2022	Xu	D14/440
D946,578	S *	3/2022	Cheng	D14/440
D950,566	S *	5/2022	Chen	D14/440
2012/0075799	A1 *	3/2012	Pollex	G06F 1/1626
				361/679.56
2017/0045920	A1 *	2/2017	Armstrong	G06F 1/1669
2017/0097698	A1 *	4/2017	Maeshima	G06F 3/03545

* cited by examiner

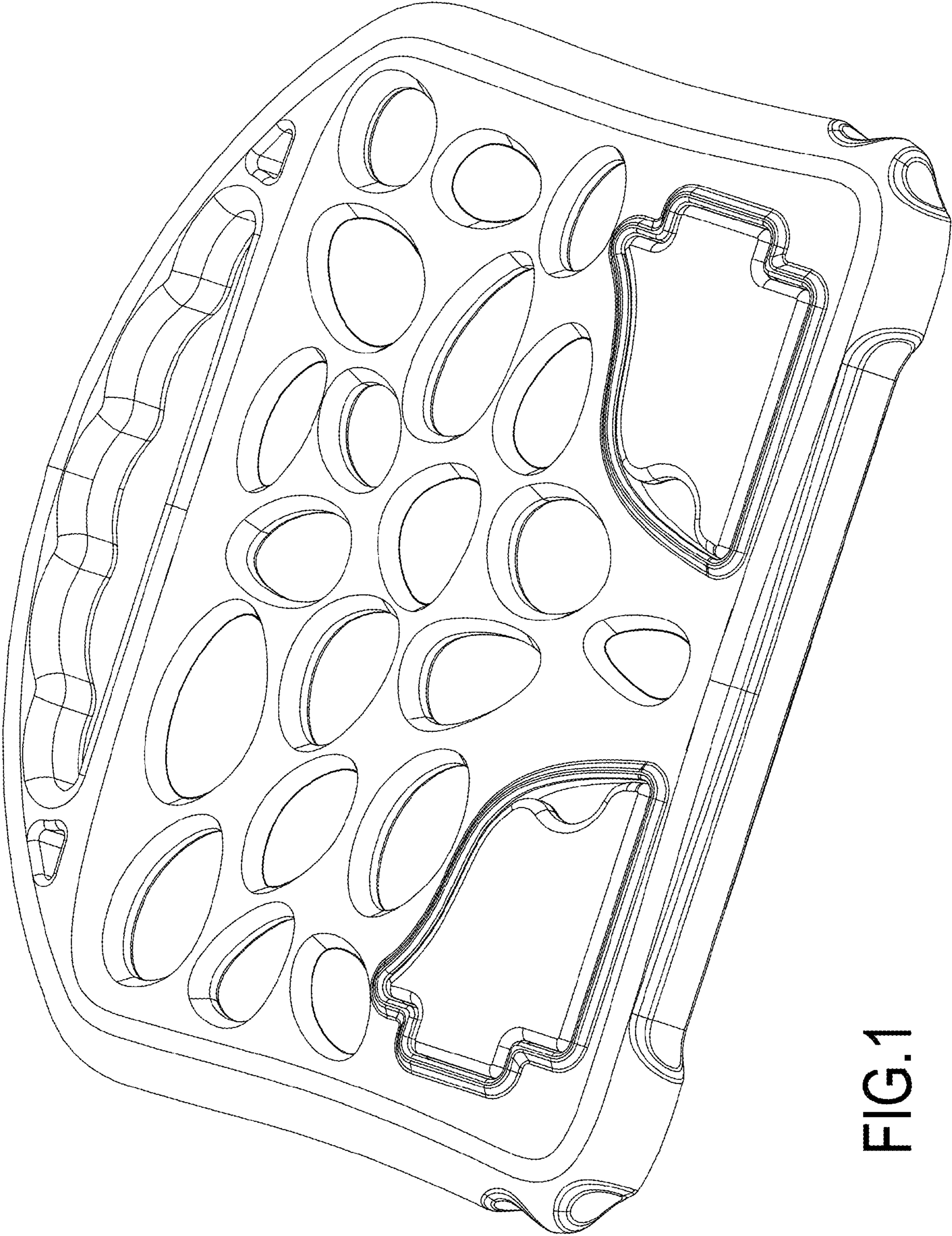


FIG.1

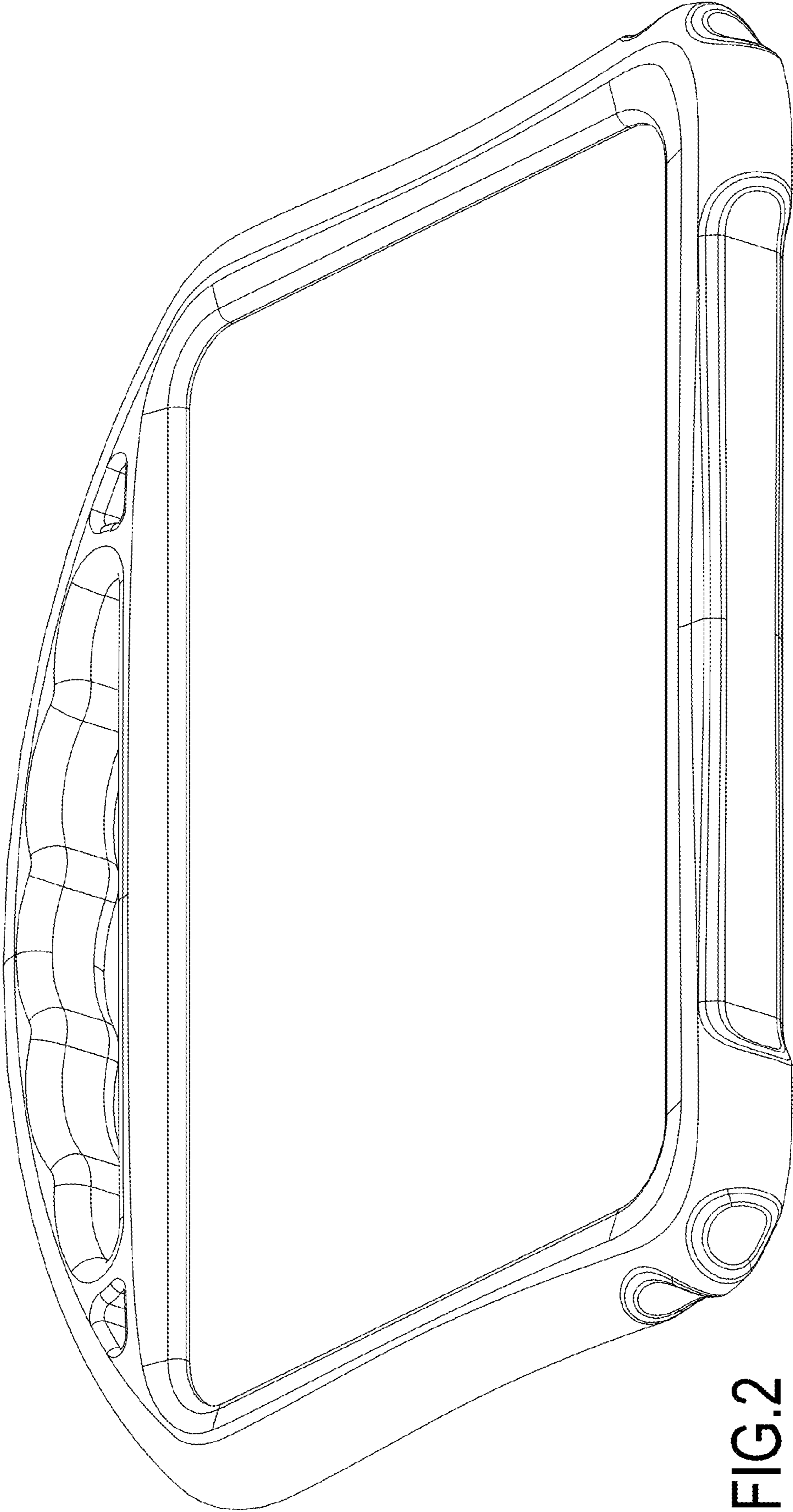


FIG.2

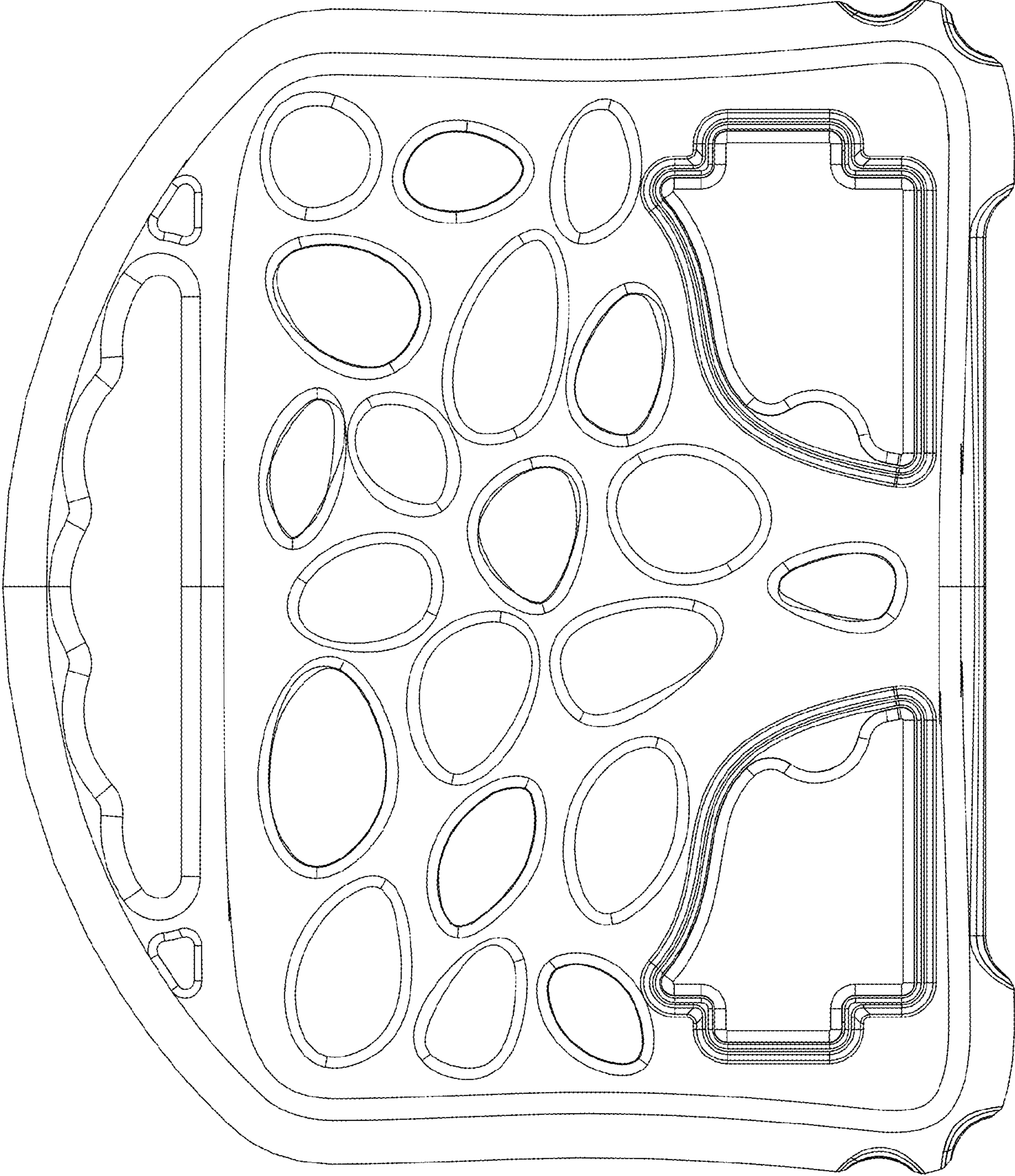


FIG.3

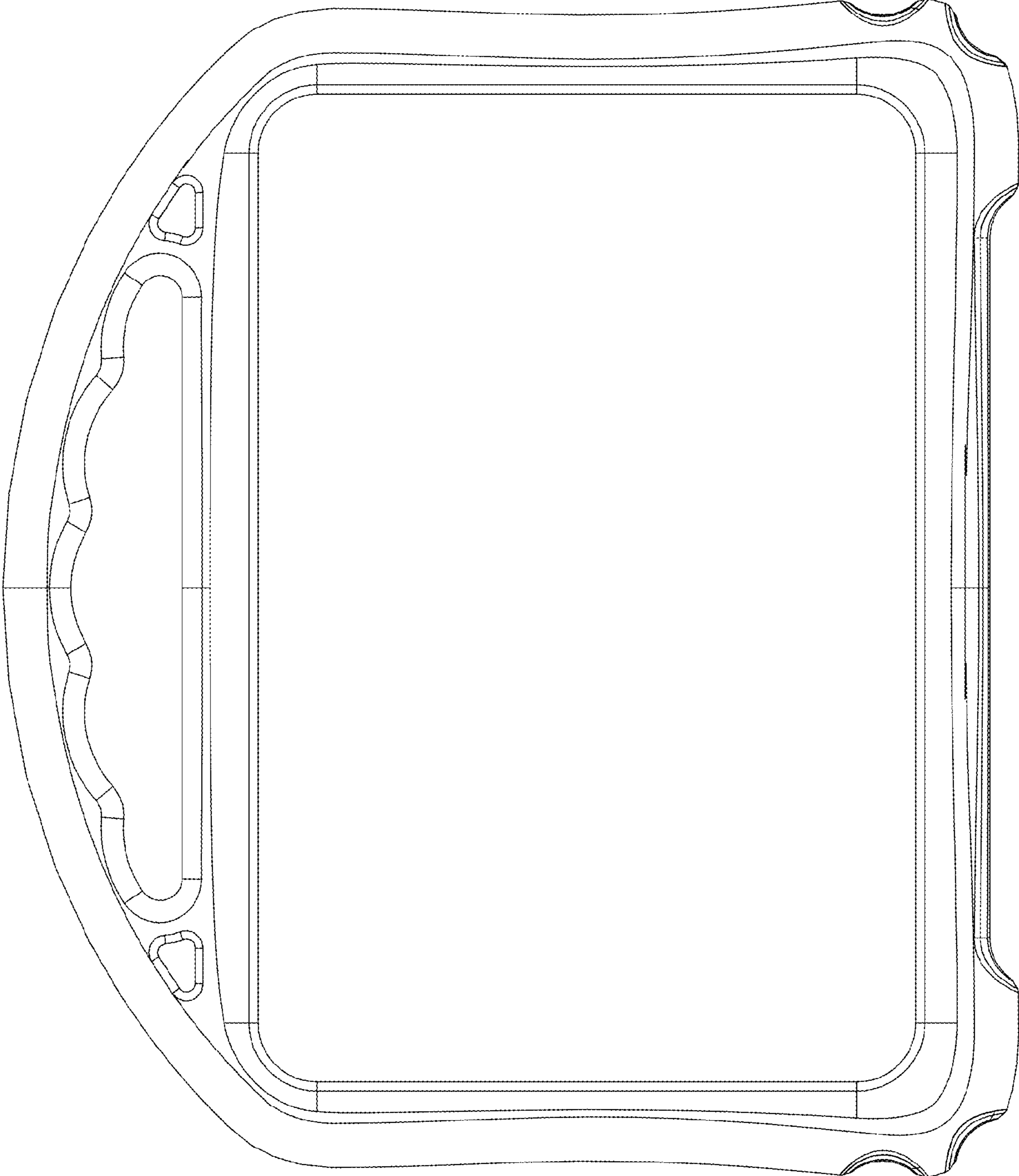


FIG.4

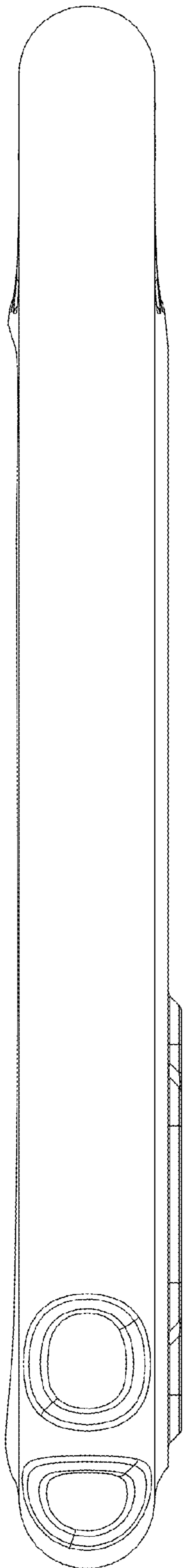


FIG. 5

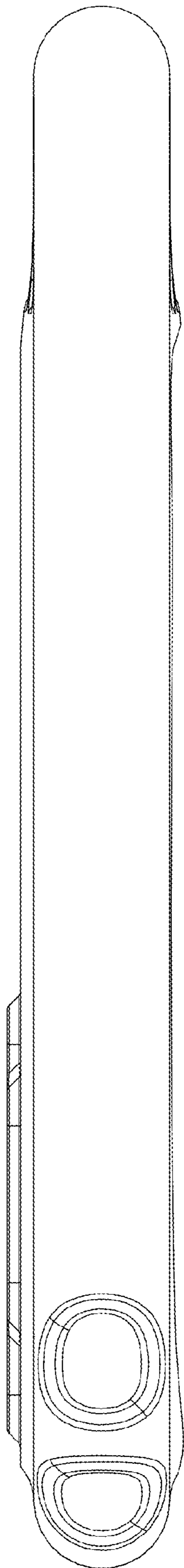


FIG. 6

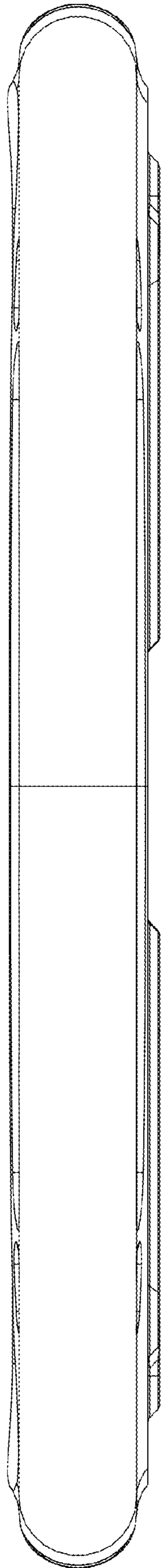


FIG. 7

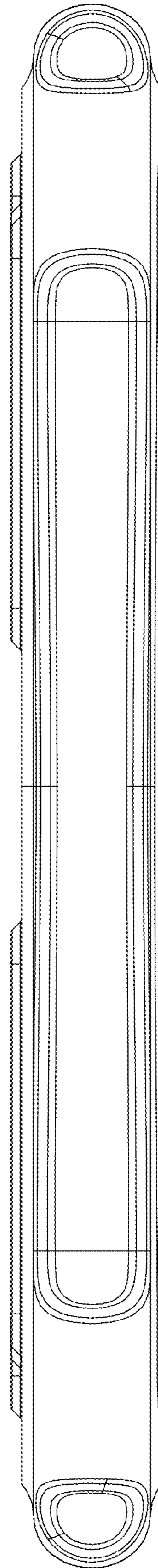


FIG. 8