



US00D956765S

(12) **United States Design Patent** (10) **Patent No.:** **US D956,765 S**
Lee et al. (45) **Date of Patent:** **** Jul. 5, 2022**

(54) **CASE**
(71) Applicant: **Doria International Inc**, Los Angeles, CA (US)
(72) Inventors: **Edmund Lee**, Encino, CA (US); **Allen Liu**, Rancho Cucamonga, CA (US); **Felix Tsoi**, Rowland Heights, CA (US)
(73) Assignee: **Doria International Inc**, Los Angeles, CA (US)

D888,663 S 6/2020 Weng
D891,434 S 7/2020 Lee et al.
D892,497 S * 8/2020 Wright D3/294
D892,498 S * 8/2020 Wright D3/294
D892,499 S 8/2020 Wright et al.
D893,166 S * 8/2020 Lu D3/201
D897,997 S 10/2020 Zhang
D901,177 S * 11/2020 Wei D3/294
D902,854 S 11/2020 Feng
D904,005 S * 12/2020 Jung D3/201
D904,755 S * 12/2020 Birger D3/201

(Continued)

(**) Term: **15 Years**

OTHER PUBLICATIONS

(21) Appl. No.: **29/723,308**
(22) Filed: **Feb. 5, 2020**
(51) **LOC (13) Cl.** **14-02**
(52) **U.S. Cl.**
USPC **D14/440**; D3/218
(58) **Field of Classification Search**
USPC D14/440, 447, 250; 206/45.23, 320,
206/45.2; 361/679.55; 294/25; 224/218;
D3/294, 218; D9/420
CPC ... G06F 1/1628; G06F 1/1626; A47B 23/044;
A45C 11/00; H04B 1/3888
See application file for complete search history.

Amazon, "Case-Mate Pelican—AirPods Pro—Protector Series Case—Waterproof . . .", first on sale May 28, 2020, <URL: <https://www.amazon.com/Case-Mate-Pelican-Protector-Waterproof-Protection/dp/B089B5ZW6L>>, (Year: 2020), 10 pages.

(Continued)

Primary Examiner — Cynthia R Underwood
(74) *Attorney, Agent, or Firm* — Sheppard, Mullin, Richter & Hampton LLP

(57) **CLAIM**

We claim the ornamental design of a case, substantially as shown and described.

DESCRIPTION

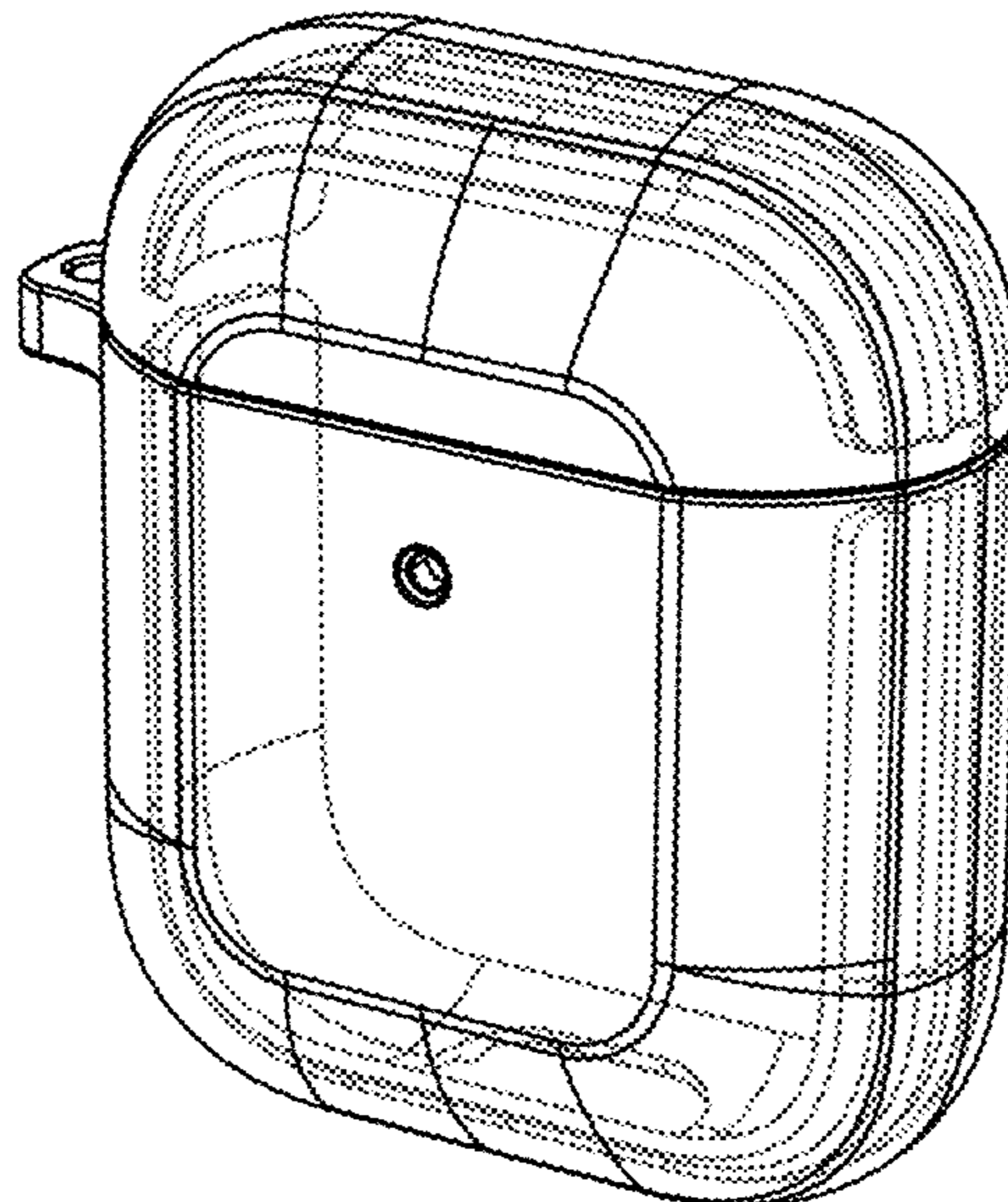
(56) **References Cited**

U.S. PATENT DOCUMENTS

D664,352 S 7/2012 Shmoon
D815,082 S * 4/2018 Kim D14/250
D869,161 S 12/2019 Zhong
D872,094 S 1/2020 Wright et al.
D872,723 S * 1/2020 Lee D14/250
D872,724 S * 1/2020 Lee D14/250
D881,181 S 4/2020 Wright et al.
D881,867 S * 4/2020 Lee D14/250
D882,259 S 4/2020 Liu
D886,453 S * 6/2020 Wright D3/294
D888,037 S 6/2020 Wright et al.
D888,043 S 6/2020 Wright et al.

FIG. 1 is a front perspective view in accordance with the present design;
FIG. 2 is a front view thereof;
FIG. 3 is a back view thereof;
FIG. 4 is a top view thereof;
FIG. 5 is a bottom view thereof;
FIG. 6 is a left view thereof; and,
FIG. 7 is a right view thereof.
The broken lines depict portions of the structure that forms no part of the claim.

1 Claim, 7 Drawing Sheets



(56)

References Cited

U.S. PATENT DOCUMENTS

D904,765 S * 12/2020 Hyun D3/302
 D905,430 S * 12/2020 Kwak D3/273
 10,863,807 B1 12/2020 Wright et al.
 D907,049 S 1/2021 Yu
 D911,706 S 3/2021 Hyun
 D911,711 S 3/2021 Feng
 D912,390 S 3/2021 Hyun
 D914,603 S 3/2021 Wang
 D914,604 S * 3/2021 Wang D13/118
 D920,662 S * 6/2021 Youn D3/218
 D927,182 S 8/2021 Hyun
 D933,351 S 10/2021 Armstrong et al.
 2007/0051766 A1 * 3/2007 Spencer A45C 11/00
 224/607
 2007/0235493 A1 * 10/2007 Fortson H04B 1/3888
 224/257
 2007/0256946 A1 * 11/2007 Godshaw B65D 43/16
 206/320
 2017/0251793 A1 * 9/2017 Barratt H04B 1/3888
 2020/0100573 A1 * 4/2020 Ekelund A45C 11/00
 2021/0085047 A1 3/2021 Wright et al.
 2021/0345742 A1 11/2021 Wright et al.

OTHER PUBLICATIONS

Best Buy, “Raptic—Journey Protective Case for Apple AirPods Pro—Red”, first reviewed Mar. 1, 2020, <URL: <https://www.bestbuy.com/site/raptic-journey-protective-case-for-apple-airpods-pro-red/6399727.p?skuId=6399727>>, (Year: 2020), 9 pages.
 Best Buy, “Raptic—Journey Protective Case for Apple AirPods—Black”, first reviewed Apr. 4, 2020, <URL: <https://www.bestbuy.com/site/raptic-journey-protective-case-for-apple-airpods-black/6399724.p?skuId=6399724>>, (Year: 2020), 8 pages.
 Raptic Trek, Apple AirPods 1 & 2 Case, announced Jan. 30, 2019 [online]. [Site visited Mar. 22, 2021], available from internet <URL: <https://www.amazon.com/Defense-Machined-Aluminum-Polycarbonate-Protective/dp/B07RDZSKZ5>> (Year: 2019), 1 page.
 Raptic Trek Series, Apple AirPods Pro Case, announced Jan. 28, 2020 [online], [Site visited Mar. 22, 2021], available from internet <URL: <https://www.amazon.com/Defense-Machined-Aluminum-Polycarbonate-Protective/dp/B082MT91YX?th=1>> (Year: 2020), 1 page.
 U.S. Trademark Registration No. 6,182,671, registered Oct. 27, 2020, owned by Catalyst Lifestyle Limited (Hong Kong Corporation), 2 pages.

* cited by examiner

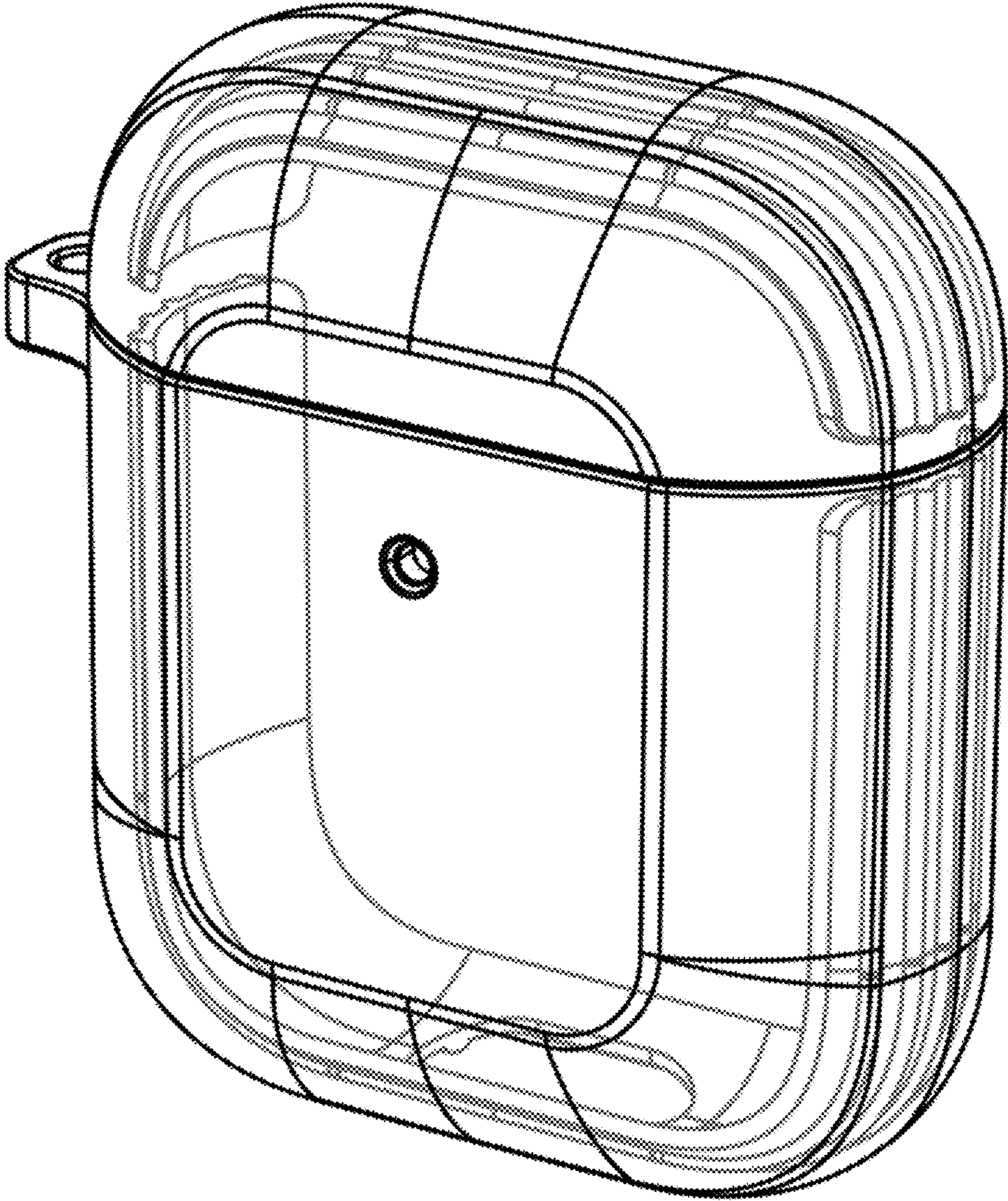


FIG. 1

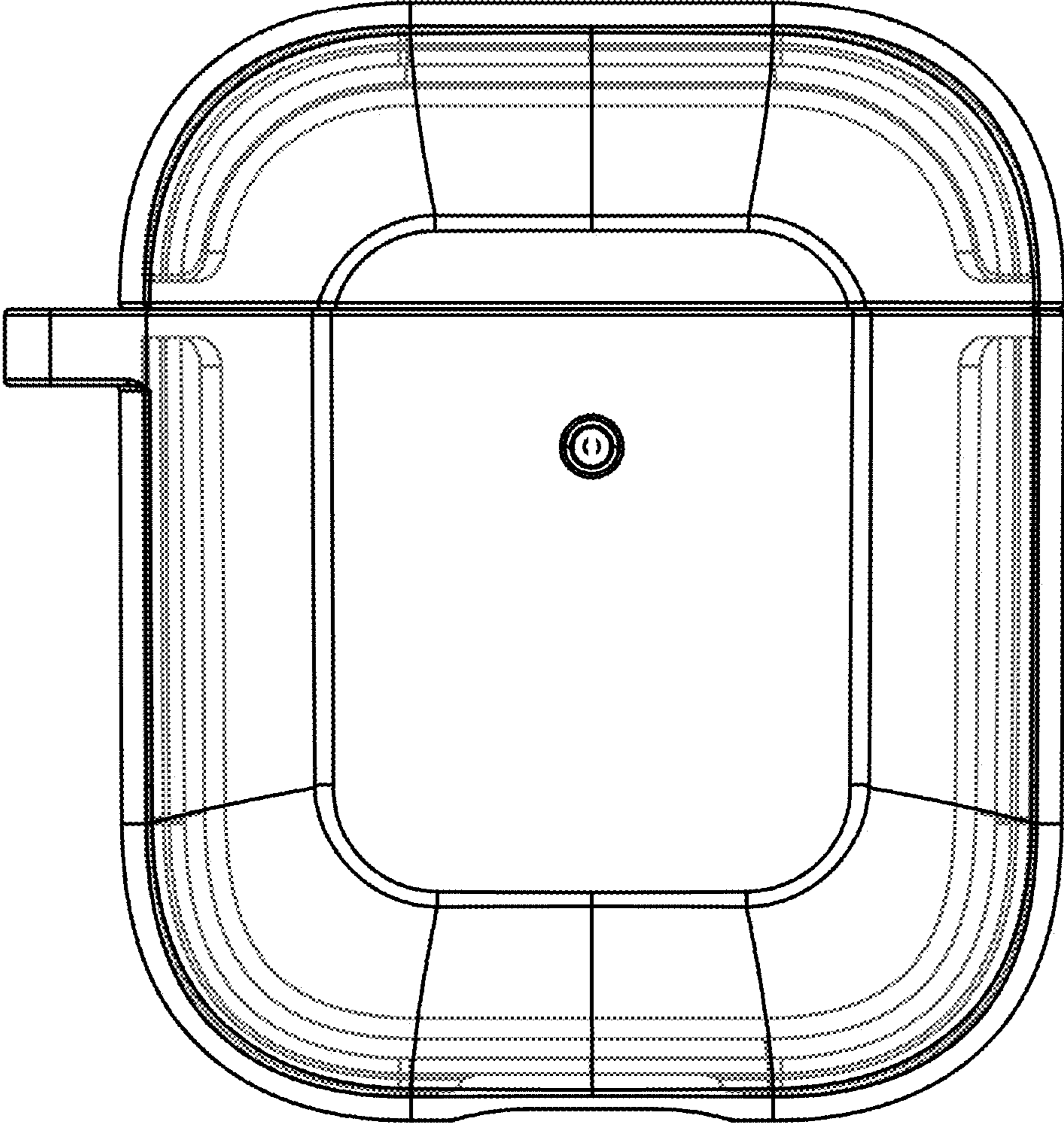


FIG. 2

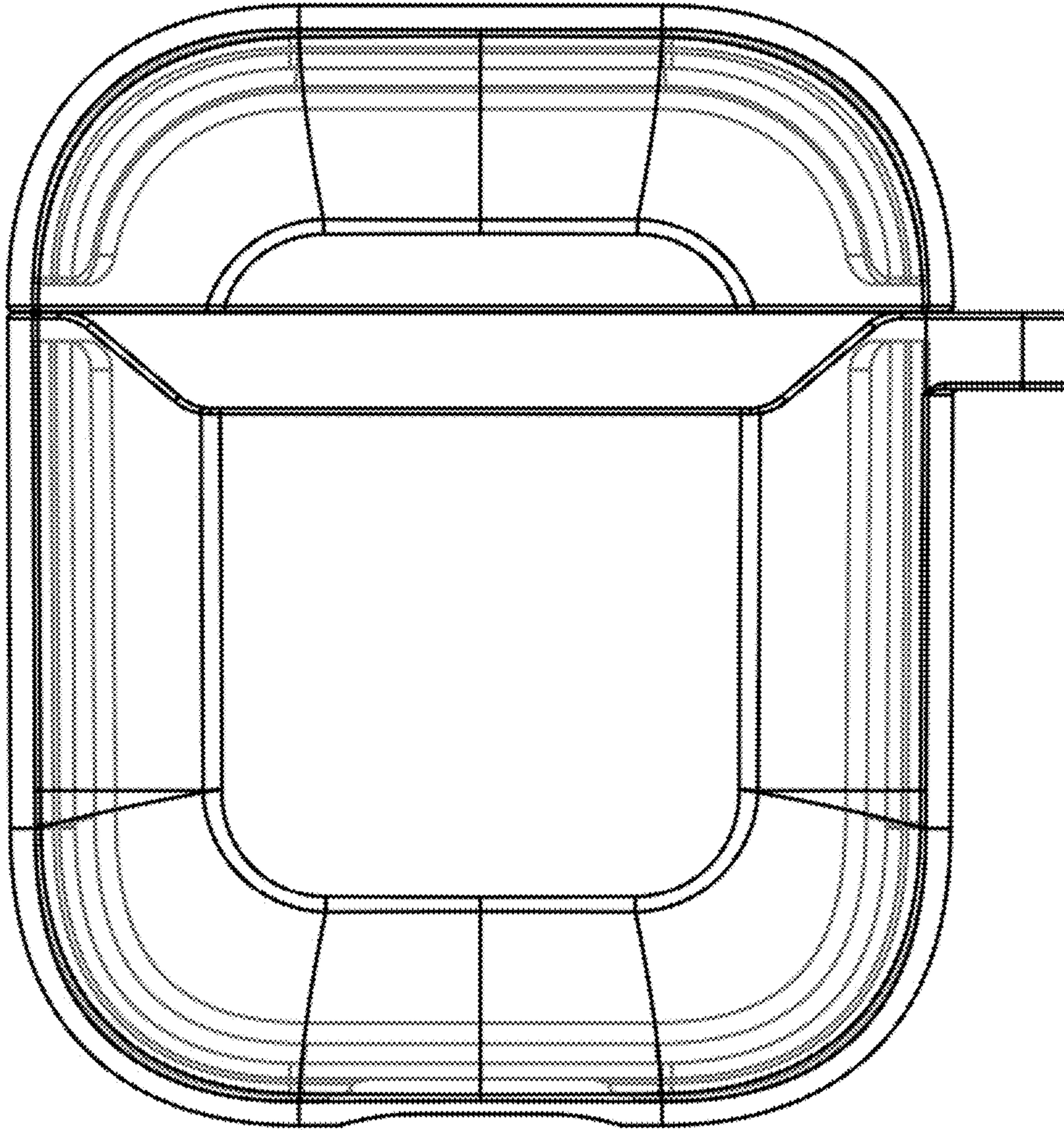


FIG. 3

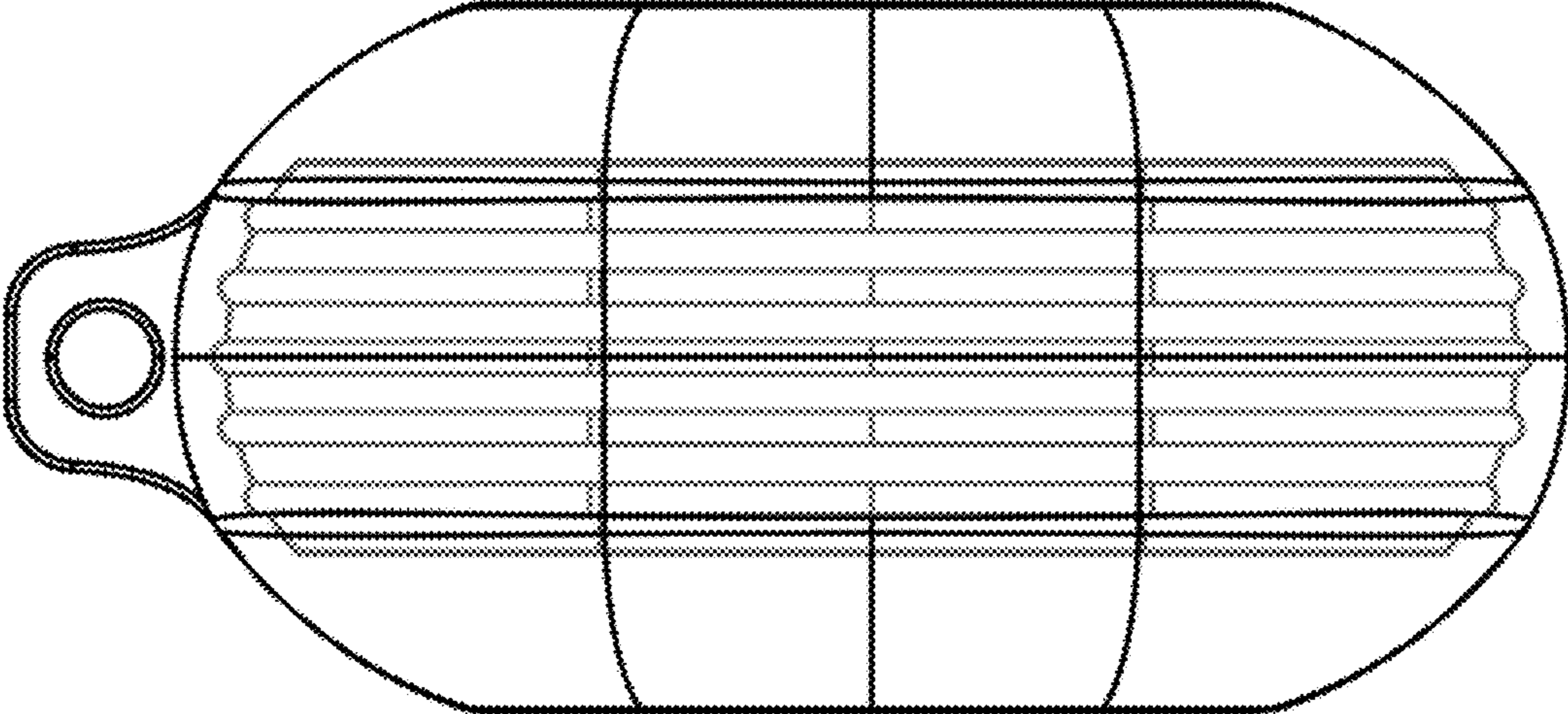


FIG. 4

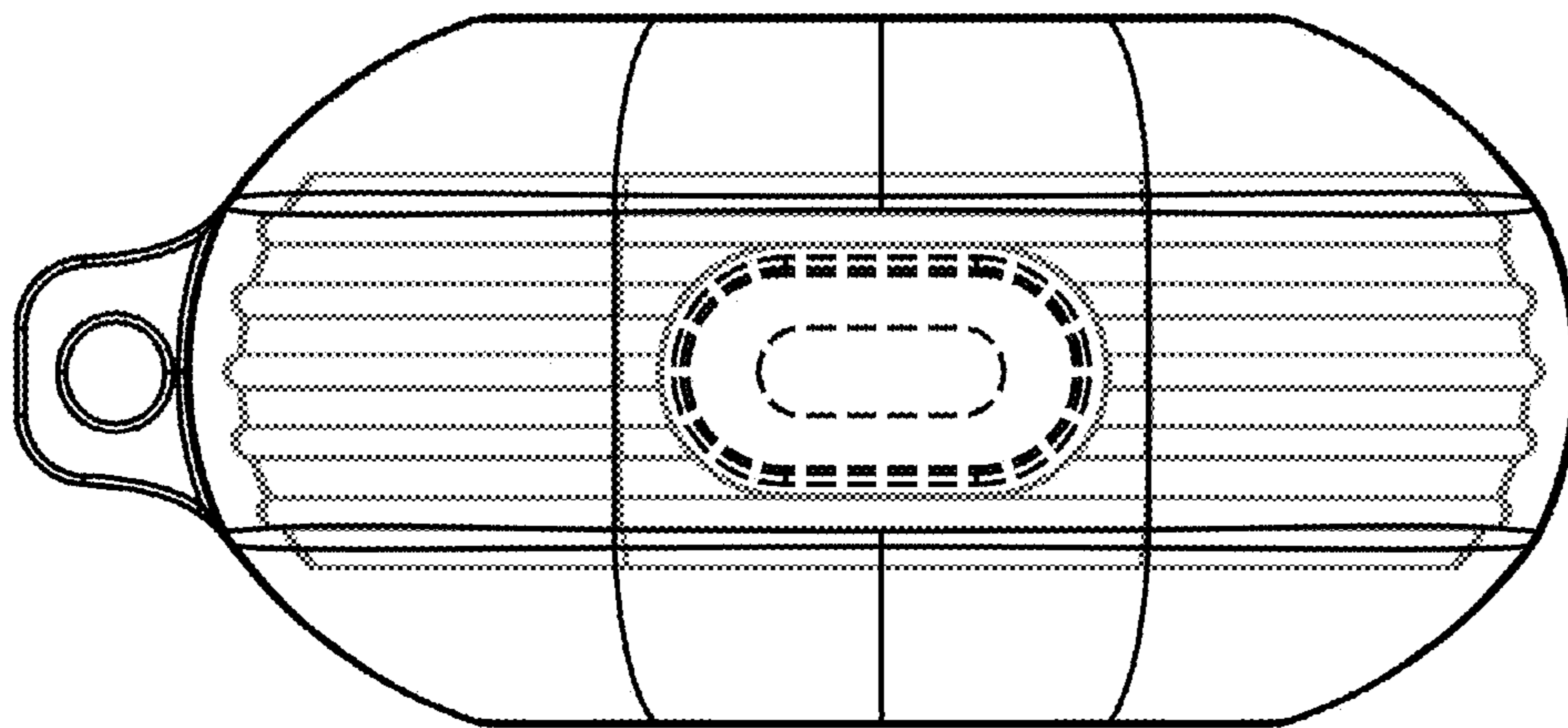


FIG. 5

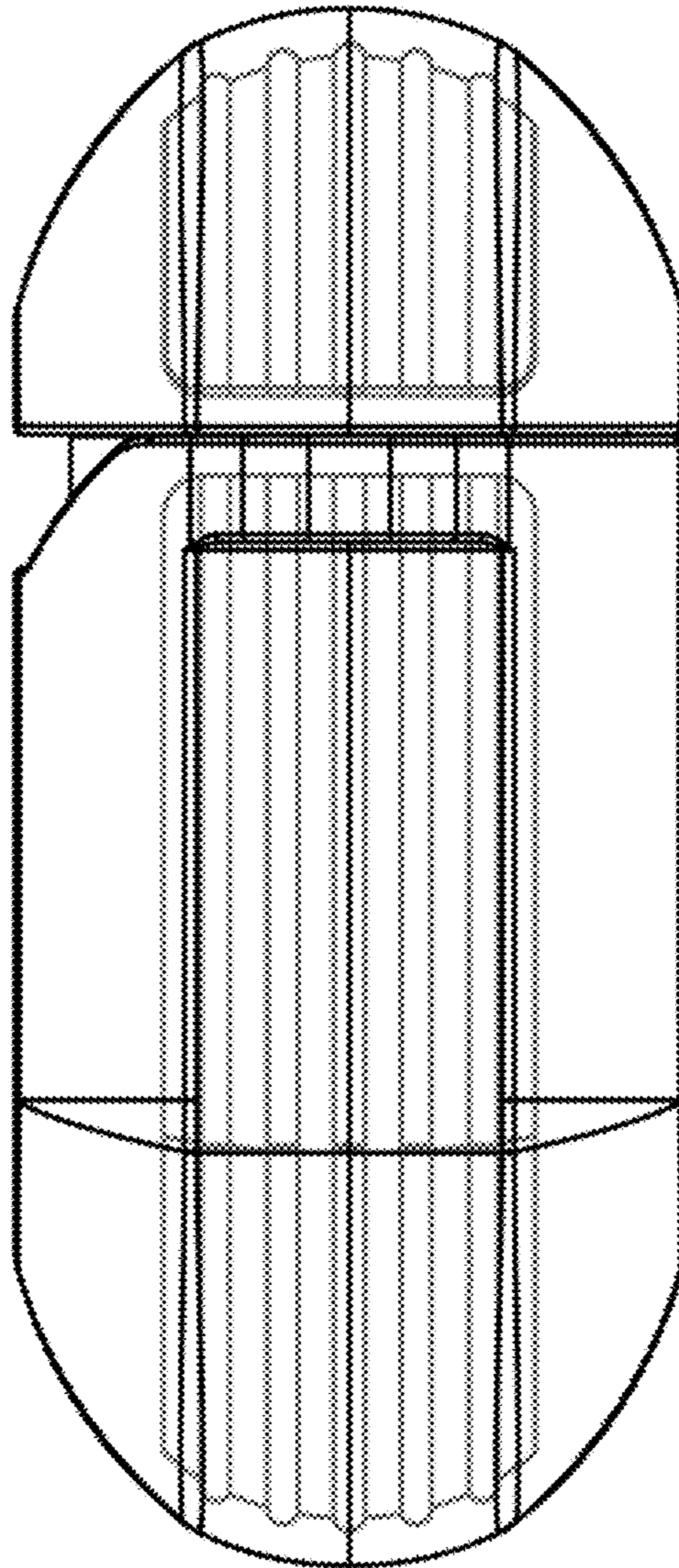


FIG. 6

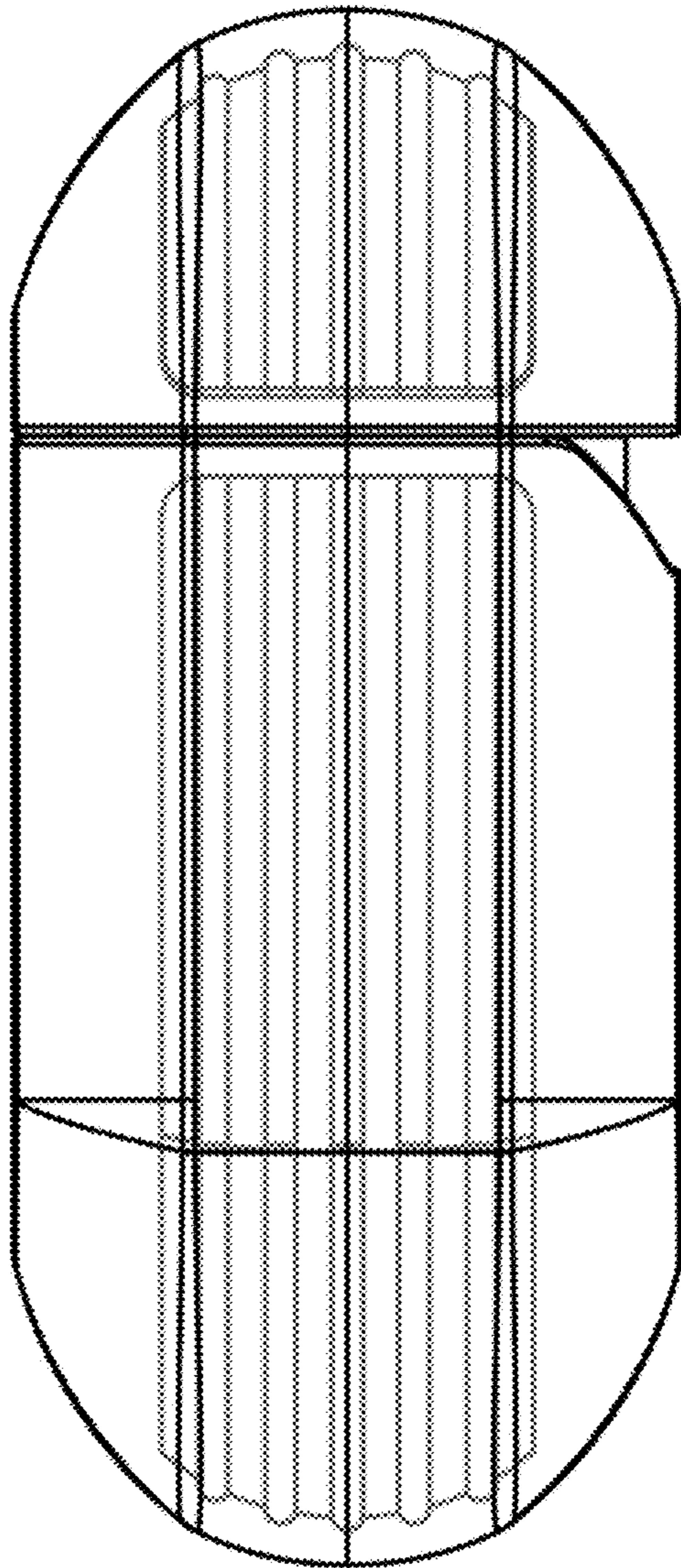


FIG. 7