

US00D956760S

(12) **United States Design Patent**
Vu

(10) **Patent No.:** **US D956,760 S**
(45) **Date of Patent:** **** Jul. 5, 2022**

(54) **MULTI EMV CHIP CARD**

(71) Applicant: **Lion Credit Card Inc.**, San Jose, CA (US)

(72) Inventor: **Jonny B. Vu**, San Jose, CA (US)

(**) Term: **15 Years**

(21) Appl. No.: **29/658,357**

(22) Filed: **Jul. 30, 2018**

(51) **LOC (13) Cl.** **14-02**

(52) **U.S. Cl.**
USPC **D14/436**; D14/437

(58) **Field of Classification Search**
USPC D14/435-437, 478-480, 485-495, 474, D14/217, 385, 383, 384; D13/182; 369/275.1-275.5, 44.26, 100, 52.1, 272, 369/273, 280-288; 283/81, 83; 720/718; 435/6, 287.2; 604/891.1; 216/2, 20; D11/80; 235/375, 380-382.5, 492, 488, 235/493, 487, 379, 439, 440, 441, 451, 235/486; 361/737, 748-752; D19/9, 10; D9/457; 705/67, 51; 257/707, 686; 340/5.8-5.83, 5.52, 5.25, 5.74; 382/115, 382/116, 121, 124, 126, 313, 305; 713/185, 186; 438/125
CPC .. G06K 9/00973-00986; G06K 19/063-0701; G06K 19/0708-0712; G06K 19/0715-07771; G06K 19/083-18; G06K 21/00-06; G06K 2207/00-1018; G06K 19/07743; G06K 19/07747; G06K 19/0716; G06K 19/0718; G06K 19/072; G06K 19/0721; G06K 19/0772; G06K 19/07722; G06K 19/07733; G06K 19/07354; G06K 19/067; G06K 19/07; G06K 19/07739; G06K 19/06187; G06K 19/06196; G06K 9/00006; G06K 9/00071; G06F 3/08; G06F 3/12; G06F 7/40; G06F 17/5068; G06F 21/00; G06F 21/30; G06F 21/31; G06F 21/32; G06F

21/34; G06F 21/45; G06F 21/77-80; Y10T 29/49018; Y10T 29/49124-4913; Y10T 29/49117; H01L 23/13; H01L 23/31; H01L 23/3128; H01L 23/48; H01L (Continued)

(56) **References Cited**

U.S. PATENT DOCUMENTS

3,855,033 A * 12/1974 Staats B42D 25/23 156/220
3,896,726 A * 7/1975 Staats B42D 25/318 283/77

(Continued)

Primary Examiner — Susan Moon Lee

(74) *Attorney, Agent, or Firm* — Thomas W. Galvani, P.C.; Thomas W. Galvani

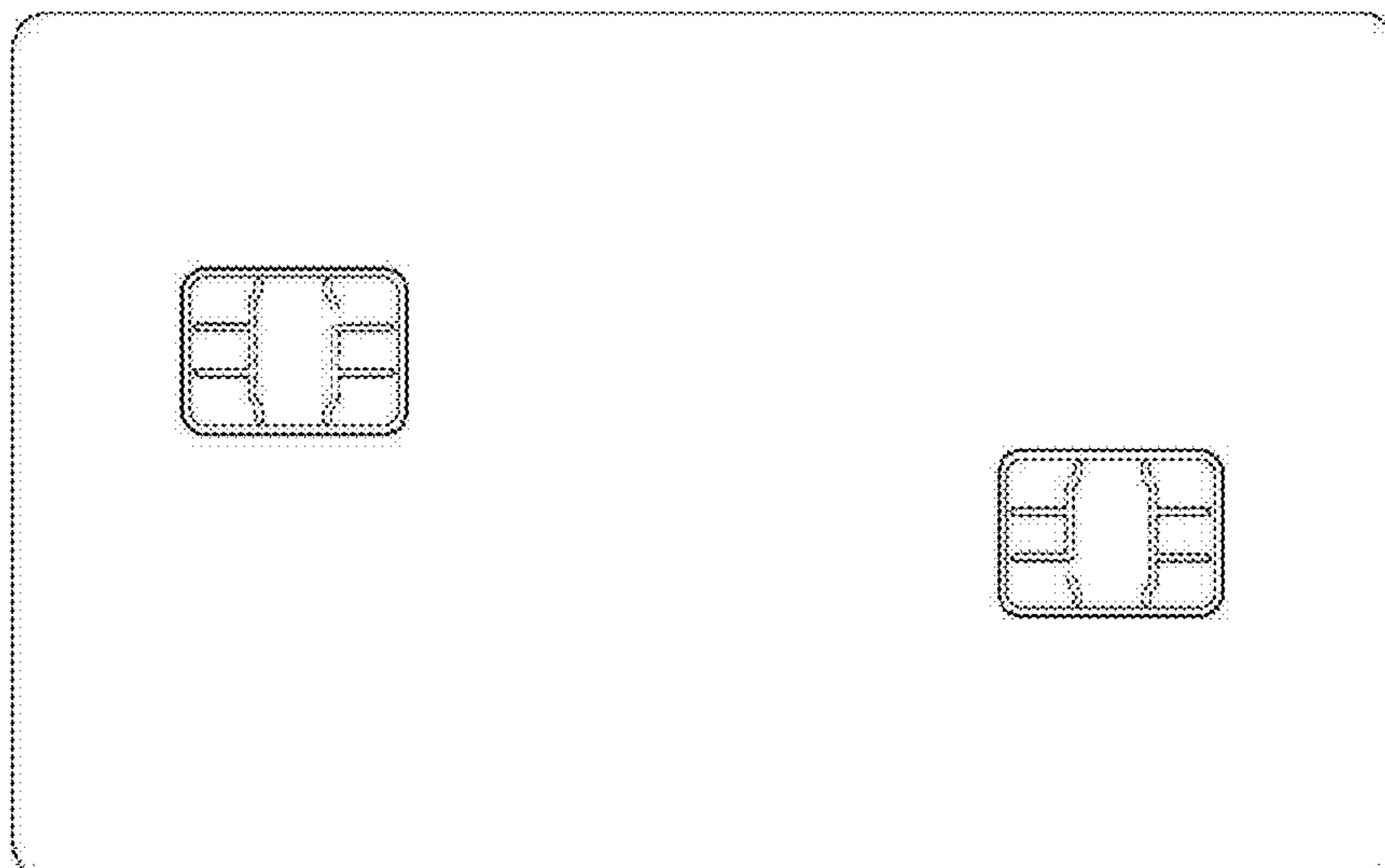
(57) **CLAIM**

The ornamental design for a multi EMV chip card, as shown and described.

DESCRIPTION

FIG. 1 is a front perspective view of a first embodiment of a multi EMV chip card showing my new design; FIG. 2 is a rear perspective view thereof; FIG. 3 is a rear view thereof; FIG. 4 is a front view thereof; FIG. 5 is a front perspective view of a second embodiment of a multi EMV chip card showing my new design; FIG. 6 is a rear perspective view thereof; FIG. 7 is a rear view thereof; FIG. 8 is a front view thereof; FIG. 9 is a top plan view of the first embodiment, the bottom plan view being a mirror image thereof; and, FIG. 10 is a left side view of the first embodiment, the right side being a mirror image thereof. The broken lines are included for illustrating environment that forms no part of the claimed design.

1 Claim, 5 Drawing Sheets



(58) **Field of Classification Search**
 CPC 23/49541; H01L 23/498; H01L 23/49811;
 H01L 23/49816; H01L 23/49833; H01L
 23/49838; H01L 23/49844; H01L
 23/4985; H01L 23/49855; H01L
 23/49888; H01L 23/50; H01L 23/522;
 H01L 23/528; H01L 23/5283; H01L
 23/538; H01L 23/5386; H01L 23/5388;
 H01L 23/5389; H01L 25/00; H01L
 25/0655; H01L 27/0203; H01L 27/0207;
 H01L 27/12; H01L 27/1218; H01L
 27/1222; H01L 27/127; H01L 24/00-17;
 H01L 24/94-98; H01L 2224/01; H01L
 2224/0501; H01L 2224/05013-05017;
 H01L 2224/0555-05557; H01L
 2224/0612-06189; H01L 2224/07-09181;
 G06Q 20/34; G06Q 20/341; G06Q
 20/346; G06Q 20/354; G06Q 20/355;
 G06Q 20/3558; G06Q 20/3563; G06Q
 20/3567; G06Q 20/357; G06Q 20/3674;
 G06Q 20/40145; G07F 7/0806; G07F
 7/0813; G07F 7/082; G07F 7/0826; G07F
 7/0833; G07F 7/084; G07F 7/0846; G07F
 7/0853; G07F 7/086; G07F 7/0866; G07C
 9/00071; G07C 9/00087; G07C 9/00111;
 G07C 9/00119; G07C 2009/00095
 See application file for complete search history.

(56) **References Cited**

U.S. PATENT DOCUMENTS

4,222,516 A * 9/1980 Badet G06K 19/07718
 228/5.1
 4,253,086 A * 2/1981 Szwarcwier G06K 9/00006
 382/126
 D276,820 S * 12/1984 Lill D19/10
 4,582,985 A * 4/1986 Lofberg G06K 19/07354
 235/380
 4,705,299 A * 11/1987 Hedgcoth B42D 25/415
 283/68
 4,733,061 A * 3/1988 Hegi G06K 19/072
 235/488
 4,910,393 A * 3/1990 Gercekci G06Q 20/341
 235/375
 D310,386 S * 9/1990 Michels D19/10
 4,983,036 A * 1/1991 Froelich G07C 9/257
 356/71
 4,999,617 A * 3/1991 Uemura G06K 7/1093
 235/462.21
 5,004,899 A * 4/1991 Ueda G06K 19/04
 235/487
 5,180,901 A * 1/1993 Hiramatsu G06K 9/00087
 235/380
 5,280,527 A * 1/1994 Gullman G07F 7/1008
 713/184
 5,410,136 A * 4/1995 McIntire G06K 1/125
 235/380
 D359,305 S * 6/1995 Finkelstein D19/10
 5,581,065 A * 12/1996 Nishikawa G06K 19/072
 235/487
 5,623,552 A * 4/1997 Lane G06K 13/073
 382/124
 5,864,296 A * 1/1999 Upton G06K 9/0002
 340/5.53
 5,865,470 A * 2/1999 Thompson B42D 15/0053
 283/70
 5,903,225 A * 5/1999 Schmitt G07C 9/257
 340/5.25
 5,920,640 A * 7/1999 Salatino G06K 9/0012
 382/124

5,952,641 A * 9/1999 Korshun G07C 9/28
 235/382
 5,960,100 A * 9/1999 Hargrove G07C 9/257
 382/124
 5,965,867 A * 10/1999 Haghiri-Tehrani
 G06K 19/072
 235/441
 5,971,282 A * 10/1999 Rollender G06K 19/0723
 235/487
 5,975,584 A * 11/1999 Vogt G06K 13/077
 283/100
 6,011,858 A * 1/2000 Stock G06Q 20/341
 382/115
 6,012,636 A * 1/2000 Smith G06K 19/10
 235/380
 D427,577 S * 7/2000 Haas D14/437
 D434,041 S * 11/2000 Burke D14/436
 6,179,210 B1 * 1/2001 Haas G06K 19/02
 235/488
 D437,882 S * 2/2001 Creighton D19/10
 6,182,892 B1 * 2/2001 Angelo G06K 9/00046
 235/380
 6,213,403 B1 * 4/2001 Bates, III G06K 19/0718
 235/486
 6,216,955 B1 * 4/2001 Le Roux G06K 19/07741
 235/492
 6,325,285 B1 * 12/2001 Baratelli G06K 7/0021
 235/380
 6,360,953 B1 * 3/2002 Lin G06K 19/07354
 235/492
 6,439,464 B1 * 8/2002 Fruhauf G06K 19/07
 235/492
 6,588,660 B1 * 7/2003 Buescher G06K 19/0716
 235/380
 6,623,039 B2 * 9/2003 Thompson B42D 15/045
 281/51
 6,628,814 B1 * 9/2003 Shapiro G06K 9/00013
 235/380
 D481,068 S * 10/2003 Blossom D19/10
 6,659,355 B1 * 12/2003 Fischer G06K 19/07722
 235/451
 6,693,544 B1 * 2/2004 Hebbecker G06K 19/02
 340/573.1
 6,775,398 B1 * 8/2004 Schaeck G06Q 20/341
 382/124
 6,798,334 B1 * 9/2004 Meister G06K 9/00087
 340/5.52
 6,811,082 B2 * 11/2004 Wong G06K 7/10336
 235/451
 D501,208 S * 1/2005 Ozolins D14/383
 6,883,715 B1 * 4/2005 Fruhauf G06K 19/07
 235/441
 H2120 H * 7/2005 Cudlitz 235/382
 D508,245 S * 8/2005 Ozolins D14/383
 7,155,416 B2 * 12/2006 Shatford G06Q 20/382
 705/67
 D535,992 S * 1/2007 Ozolins D14/383
 7,337,979 B2 * 3/2008 Takao G06K 19/005
 235/382
 7,360,688 B1 * 4/2008 Harris G06K 7/0021
 235/380
 7,543,337 B2 * 6/2009 D'Agnolo G07C 9/257
 726/30
 7,757,942 B1 * 7/2010 Ford, Sr. G07F 7/0873
 235/380
 7,770,800 B2 * 8/2010 Martinez G06K 19/07739
 235/486
 7,778,935 B2 * 8/2010 Colella G06Q 30/06
 705/67
 7,837,122 B2 * 11/2010 Martinent G06K 19/07745
 235/492
 7,994,898 B2 * 8/2011 Ozolins G06F 21/34
 340/5.82
 8,061,618 B2 * 11/2011 Mosteller B42D 25/00
 235/488

(56)	References Cited					
	U.S. PATENT DOCUMENTS					
8,074,878	B1 *	12/2011	Daniel	G07C 9/257	235/380
D672,807	S *	12/2012	Ahrabian	D19/9	
8,434,675	B2 *	5/2013	Faith	G07D 7/02	235/375
8,485,447	B1 *	7/2013	Pyhrr	G06K 1/125	235/492
D687,886	S *	8/2013	Ahrabian	D19/9	
D693,874	S *	11/2013	Daniel	D19/10	
D701,900	S *	4/2014	Daniel	D19/10	
9,159,014	B2 *	10/2015	Narendra	G06K 19/0726	
9,208,424	B2 *	12/2015	Narendra	G06K 19/07701	
9,262,649	B2 *	2/2016	Bertin	G06K 19/0723	
9,342,774	B1 *	5/2016	Lin	G06K 19/07728	
9,378,514	B2 *	6/2016	Tabor	G06Q 20/227	
9,466,060	B1 *	10/2016	Daniel	G06Q 20/409	
9,483,723	B2 *	11/2016	Narendra	G06K 19/07749	
D774,135	S *	12/2016	Daniel	D19/10	
D776,664	S *	1/2017	Hendrick	D14/436	
D786,355	S *	5/2017	Hendrick	D19/9	
D788,847	S *	6/2017	Hendrick	D19/9	
D797,188	S *	9/2017	Hendrick	D19/9	
D798,385	S *	9/2017	Yoo	D19/10	
9,773,153	B1 *	9/2017	Slotner	G06K 9/00087	
D824,456	S *	7/2018	Ishii	D19/9	
10,223,555	B2 *	3/2019	Gardiner	G06Q 20/3567	
D851,170	S *	6/2019	Blum	D19/9	
D853,485	S *	7/2019	Albert	D19/9	
D855,617	S *	8/2019	Williams	D14/436	
D877,242	S *	3/2020	Arneja	D19/9	
D877,739	S *	3/2020	Maus	D14/436	
D895,005	S *	9/2020	Carroll, II	D19/9	
10,885,419	B2 *	1/2021	Lowe	G06K 19/02	
2001/0000535	A1 *	4/2001	Lapsley	G06Q 20/0855	705/64
2001/0008004	A1 *	7/2001	Jarosz	G06K 19/07728	711/1
2002/0021001	A1 *	2/2002	Stratford	G06K 7/14	283/74
2002/0035542	A1 *	3/2002	Tumey	G07F 7/1008	705/44
2002/0043566	A1 *	4/2002	Goodman	G07F 7/025	235/492
2002/0060243	A1 *	5/2002	Janiak	G06Q 20/40145	235/382
2002/0087869	A1 *	7/2002	Kim	G07C 9/257	713/186
2002/0095587	A1 *	7/2002	Doyle	G07F 7/1008	713/186
2002/0105232	A1 *	8/2002	Parrault	G06K 19/0719	307/104
2002/0158747	A1 *	10/2002	McGregor	G06Q 20/3415	340/5.26
2003/0046555	A1 *	3/2003	Bradley	G06Q 20/40145	713/186
2003/0085286	A1 *	5/2003	Kelley	G06K 19/073	235/492
2003/0086591	A1 *	5/2003	Simon	G07C 9/25	382/115
2003/0111527	A1 *	6/2003	Blossom	G06Q 20/363	235/380
2003/0209362	A1 *	11/2003	Kasuga	G06Q 20/341	174/260
2003/0226041	A1 *	12/2003	Palmer	G07C 9/257	726/5
2004/0026915	A1 *	2/2004	Thompson	B42D 15/045	283/51
2004/0124246	A1 *	7/2004	Allen	G07F 7/1008	235/492
2004/0129787	A1 *	7/2004	Saito	G06F 21/32	235/492
2004/0133787	A1 *	7/2004	Doughty	G06Q 20/4014	713/186
2004/0135241	A1 *	7/2004	Conner	G07F 7/00	257/679
2004/0172541	A1 *	9/2004	Ando	G06Q 20/40145	713/176
2004/0179718	A1 *	9/2004	Chou	G07C 9/257	382/115
2004/0188519	A1 *	9/2004	Cassone	G07C 9/257	235/382
2004/0234111	A1 *	11/2004	Mueller	G06Q 20/40145	382/124
2004/0242270	A1 *	12/2004	Bhatt	G06K 19/14	455/558
2005/0029343	A1 *	2/2005	Neymann	G06K 19/07354	235/380
2005/0035200	A1 *	2/2005	Hendrick	G06K 7/0021	235/441
2005/0076182	A1 *	4/2005	Minne	G06K 19/07732	711/163
2005/0077348	A1 *	4/2005	Hendrick	G06K 19/0716	235/380
2005/0139685	A1 *	6/2005	Kozlay	G06K 19/077	235/492
2005/0178827	A1 *	8/2005	Shatford	G06K 19/077	235/380
2005/0199708	A1 *	9/2005	Friedman	G06Q 20/4014	235/380
2005/0207624	A1 *	9/2005	Ehlers	G06K 19/0718	382/124
2005/0212657	A1 *	9/2005	Simon	G06F 21/32	340/5.74
2005/0232471	A1 *	10/2005	Baer	G07C 9/257	382/115
2005/0269402	A1 *	12/2005	Spitzer	G07F 7/0886	235/380
2006/0000899	A1 *	1/2006	Bonalle	G06Q 20/40145	235/380
2006/0095369	A1 *	5/2006	Hofi	G06Q 20/10	705/39
2006/0097059	A1 *	5/2006	Miyazaki	G06K 19/077	235/492
2006/0113381	A1 *	6/2006	Hochstein	G06K 19/077	235/382
2006/0124350	A1 *	6/2006	Droz	G06K 19/072	174/260
2006/0161789	A1 *	7/2006	Doughty	G06Q 20/4014	713/186
2006/0213973	A1 *	9/2006	Chan	G06K 19/005	235/380
2006/0213982	A1 *	9/2006	Cannon	G06K 19/077	235/380
2006/0278723	A1 *	12/2006	Dan	G06K 19/07739	235/492
2007/0063816	A1 *	3/2007	Murakami	G06Q 20/40145	340/5.82
2007/0073619	A1 *	3/2007	Smith	G07C 9/257	705/41
2007/0220272	A1 *	9/2007	Campisi	G06Q 20/341	713/186
2007/0220273	A1 *	9/2007	Campisi	G06Q 20/3574	713/186
2007/0223179	A1 *	9/2007	Cheng	H05K 5/0273	361/600
2007/0228154	A1 *	10/2007	Tran	G06K 19/0718	235/380
2008/0005425	A1 *	1/2008	Saito	G06K 19/077	710/62
2008/0029608	A1 *	2/2008	Kellum	G06K 19/07354	235/492
2008/0067247	A1 *	3/2008	McGregor	G06K 19/0704	235/439
2008/0120509	A1 *	5/2008	Simon	G07C 9/257	713/186
2008/0126212	A1 *	5/2008	Cox	G06K 19/077	705/17
2008/0148059	A1 *	6/2008	Shapiro	G06F 21/32	713/186

US D956,760 S

(56)	References Cited					
	U.S. PATENT DOCUMENTS					
2008/0164325	A1 *	7/2008	Borracci	G06Q 20/3674	2013/0026238	A1 * 1/2013 Benato G06K 19/07722 235/492
2008/0223925	A1 *	9/2008	Saito	G07C 9/257	2013/0036017	A1 * 2/2013 Galloway G06Q 20/105 705/16
2008/0223937	A1 *	9/2008	Preta	G06F 21/34	2013/0036463	A1 * 2/2013 Shashidhar G06Q 20/341 726/20
2008/0319915	A1 *	12/2008	Russell	G06Q 30/0633	2013/0056539	A1 * 3/2013 Iwaloye G06K 19/07354 235/492
2009/0008459	A1 *	1/2009	Mainguet	G06K 19/0716	2013/0081127	A1 * 3/2013 Chen G06Q 20/341 726/9
2009/0040695	A1 *	2/2009	Fidalgo	G06K 19/077	2013/0218601	A1 * 8/2013 Webb G07F 7/1008 705/3
2009/0084858	A1 *	4/2009	Borracci	G07F 7/1008	2013/0221100	A1 * 8/2013 Holman G06K 19/07737 235/441
2009/0145972	A1 *	6/2009	Evans	G07F 7/1008	2014/0052632	A1 * 2/2014 Galloway G06Q 20/223 705/43
2009/0150994	A1 *	6/2009	Evans	G07F 7/1008	2014/0097253	A1 * 4/2014 Benato G06K 19/07749 235/488
2009/0153297	A1 *	6/2009	Gardner	G06K 19/07732	2014/0124583	A1 * 5/2014 Reed G06K 19/07724 235/488
2009/0172279	A1 *	7/2009	Yuan	G06K 7/0008	2014/0232525	A1 * 8/2014 Mohmedi G07C 9/257 340/5.83
2009/0199004	A1 *	8/2009	Krawczewicz ..	G06K 19/07703	2015/0049925	A1 * 2/2015 Lowe G06K 9/00087 382/124
2009/0327529	A1 *	12/2009	Mardiks	G06K 19/07	2015/0136858	A1 * 5/2015 Finn H01Q 7/00 235/492
2010/0038436	A1 *	2/2010	Gaillard	G06K 19/07769	2015/0186663	A1 * 7/2015 Schmidt G06K 9/00087 345/173
2010/0118131	A1 *	5/2010	Lee	G06K 9/00013	2015/0206148	A1 * 7/2015 Cherry G06Q 20/341 705/67
2010/0142161	A1 *	6/2010	Garnier	G06K 19/07733	2015/0220918	A1 * 8/2015 Davis G07F 7/1008 705/44
2010/0177486	A1 *	7/2010	Droz	G06K 19/07745	2015/0294131	A1 * 10/2015 Neskovic G06K 9/00093 382/125
2010/0277278	A1 *	11/2010	Courouble	G06F 21/32	2015/0295920	A1 * 10/2015 Van Kerrebroeck G06Q 20/3229 726/9
2010/0320274	A1 *	12/2010	Nielsen	G06K 19/0705	2016/0026842	A1 * 1/2016 Withers G06K 9/00053 324/686
2011/0019367	A1 *	1/2011	Hatch	G06K 19/07739	2016/0057627	A1 * 2/2016 Burgbacher H04W 12/08 455/41.1
2011/0073660	A1 *	3/2011	Lawyer	G06K 19/04	2016/0155039	A1 * 6/2016 Neymann G06K 19/0718 235/488
2011/0140841	A1 *	6/2011	Bona	G07F 7/0846	2016/0203346	A1 * 7/2016 Gardiner G06K 19/07749 235/380
2011/0154662	A1 *	6/2011	Droz	G06K 19/077	2016/0246954	A1 * 8/2016 Kim G06K 9/00006
2011/0175702	A1 *	7/2011	Desnoyers	G06K 19/0718	2016/0267466	A1 * 9/2016 Kumnick G06Q 20/326
2011/0182040	A1 *	7/2011	Ellul	G06K 19/07733	2016/0307081	A1 * 10/2016 Wurmfeld G07F 7/10
2011/0187523	A1 *	8/2011	Edelstein	G08B 13/1436	2016/0307089	A1 * 10/2016 Wurmfeld G06K 19/0723
2011/0256832	A1 *	10/2011	Park	H04B 5/0056	2016/0379036	A1 * 12/2016 Long G06K 9/00013 382/124
2012/0019363	A1 *	1/2012	Fein	G06K 19/07767	2017/0011287	A1 * 1/2017 Kapp G06K 19/07794
2012/0049309	A1 *	3/2012	Kiyomoto	G06K 19/0718	2017/0017871	A1 * 1/2017 Finn B23K 26/40
2012/0062241	A1 *	3/2012	Rossi	G06K 7/0047	2017/0046714	A1 * 2/2017 Van de Velde G06F 21/34
2012/0168500	A1 *	7/2012	Li	G07F 7/0846	2017/0061273	A1 * 3/2017 Coppola H05K 1/118
2012/0199653	A1 *	8/2012	Wenzel	G07C 9/27	2017/0116505	A1 * 4/2017 Suwald G06K 19/07
2012/0218079	A1 *	8/2012	Kim	G06K 19/0725	2017/0132504	A1 * 5/2017 Kurian G06K 19/0724
2012/0288169	A1 *	11/2012	Kim	G06K 9/0002	2017/0213097	A1 * 7/2017 Vogel G06K 9/209
2012/0298757	A1 *	11/2012	Kim	G06K 19/0718	2017/0228631	A1 * 8/2017 Larsen G06K 19/0719
2012/0318863	A1 *	12/2012	Kim	G06K 19/0718	2017/0244437	A1 * 8/2017 Alieri G06K 19/072
					2017/0289127	A1 * 10/2017 Hendrick H04W 12/068
					2017/0293792	A1 * 10/2017 Lavin G06K 9/00053
					2017/0300799	A1 * 10/2017 Breed G07F 7/1016
					2017/0345740	A1 * 11/2017 Spoettl H01L 23/49537
					2018/0018839	A1 * 1/2018 Levitov G07C 9/27
					2018/0039874	A1 * 2/2018 Fischer G06K 19/077
					2018/0082165	A1 * 3/2018 Mosteller H01L 25/0655
					2018/0092216	A1 * 3/2018 Cyman, Jr. G06K 19/07749
					2018/0108018	A1 * 4/2018 Lee G06Q 20/4014
					2018/0129831	A1 * 5/2018 Yokoi H01L 29/78696
					2018/0174013	A1 * 6/2018 Lee G06K 19/07707
					2018/0174018	A1 * 6/2018 Lundberg G06K 19/07701
					2018/0181958	A1 * 6/2018 Locke G07F 7/0826
					2018/0197056	A1 * 7/2018 Bousquet G06K 19/0718
					2018/0253634	A1 * 9/2018 Fortassin G06K 19/07354
					2018/0268274	A1 * 9/2018 Lowe G06K 7/10158
					2018/0276357	A1 * 9/2018 Tsuboi G06K 9/00013

(56)

References Cited

U.S. PATENT DOCUMENTS

2018/0276358 A1* 9/2018 Sawamura H04L 9/0869
2018/0276518 A1* 9/2018 Benkley, III G06K 19/0707
2018/0330138 A1* 11/2018 Suwald G06K 9/0002
2018/0330221 A1* 11/2018 Fischer B42D 25/45
2018/0373857 A1* 12/2018 Larsen G06K 19/0718
2019/0019072 A1* 1/2019 Bertiaux G06K 19/07733
2019/0019195 A1* 1/2019 Dunjic G06Q 20/4016
2019/0026745 A1* 1/2019 Fromager G06Q 20/341
2019/0034378 A1* 1/2019 Suwald G06F 13/4295
2019/0050623 A1* 2/2019 Lavin G06K 9/00107
2019/0065716 A1* 2/2019 Lavin G07C 9/00563
2019/0065918 A1* 2/2019 Humborstad G06K 19/0718
2019/0065919 A1* 2/2019 Maheshwari G06K 19/0718
2019/0065922 A1* 2/2019 Nielsen G06K 19/07743
2019/0066094 A1* 2/2019 Bae G06Q 20/3572
2019/0073578 A1* 3/2019 Lowe G06K 19/06196

* cited by examiner

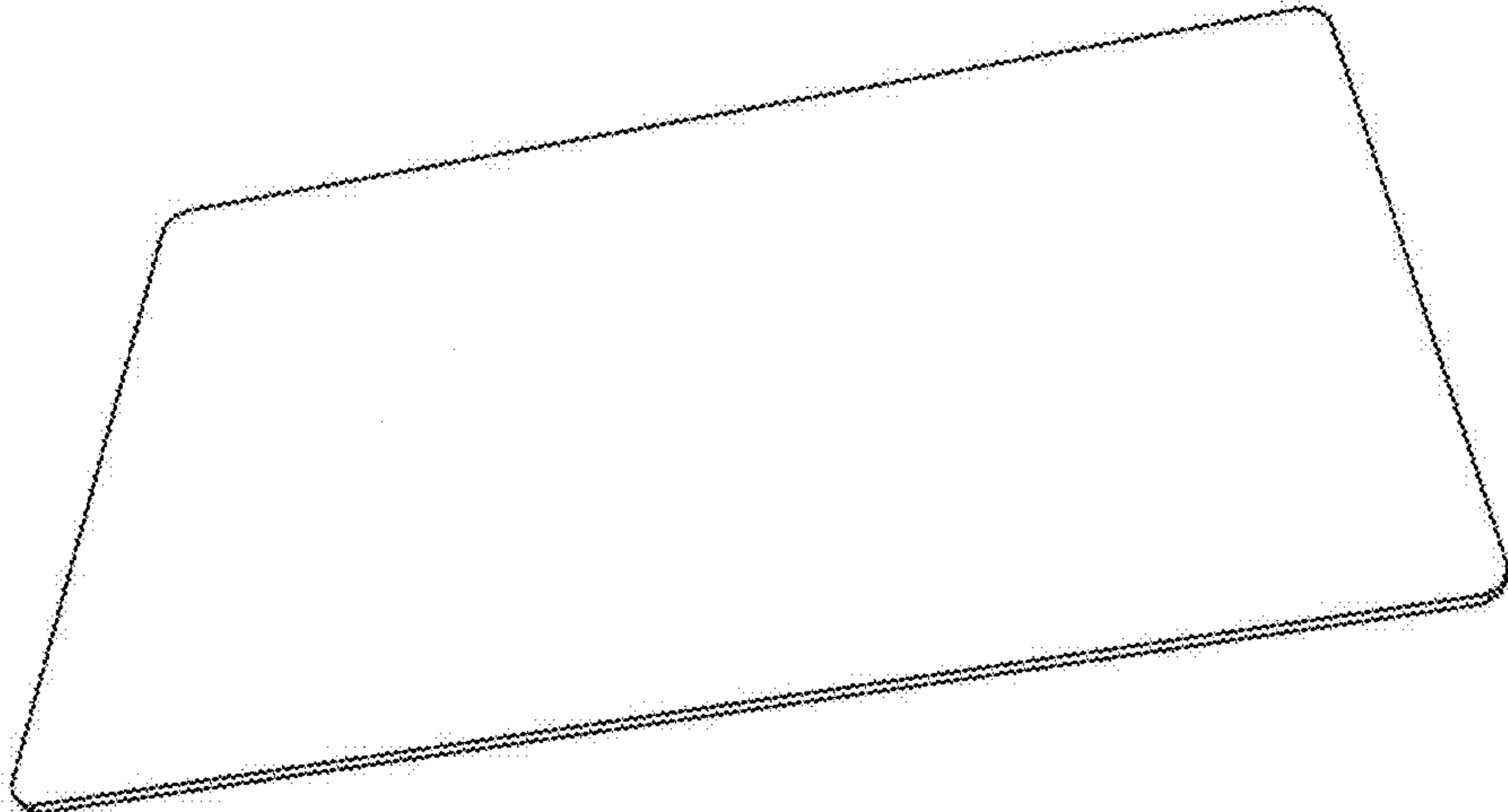


FIG. 2

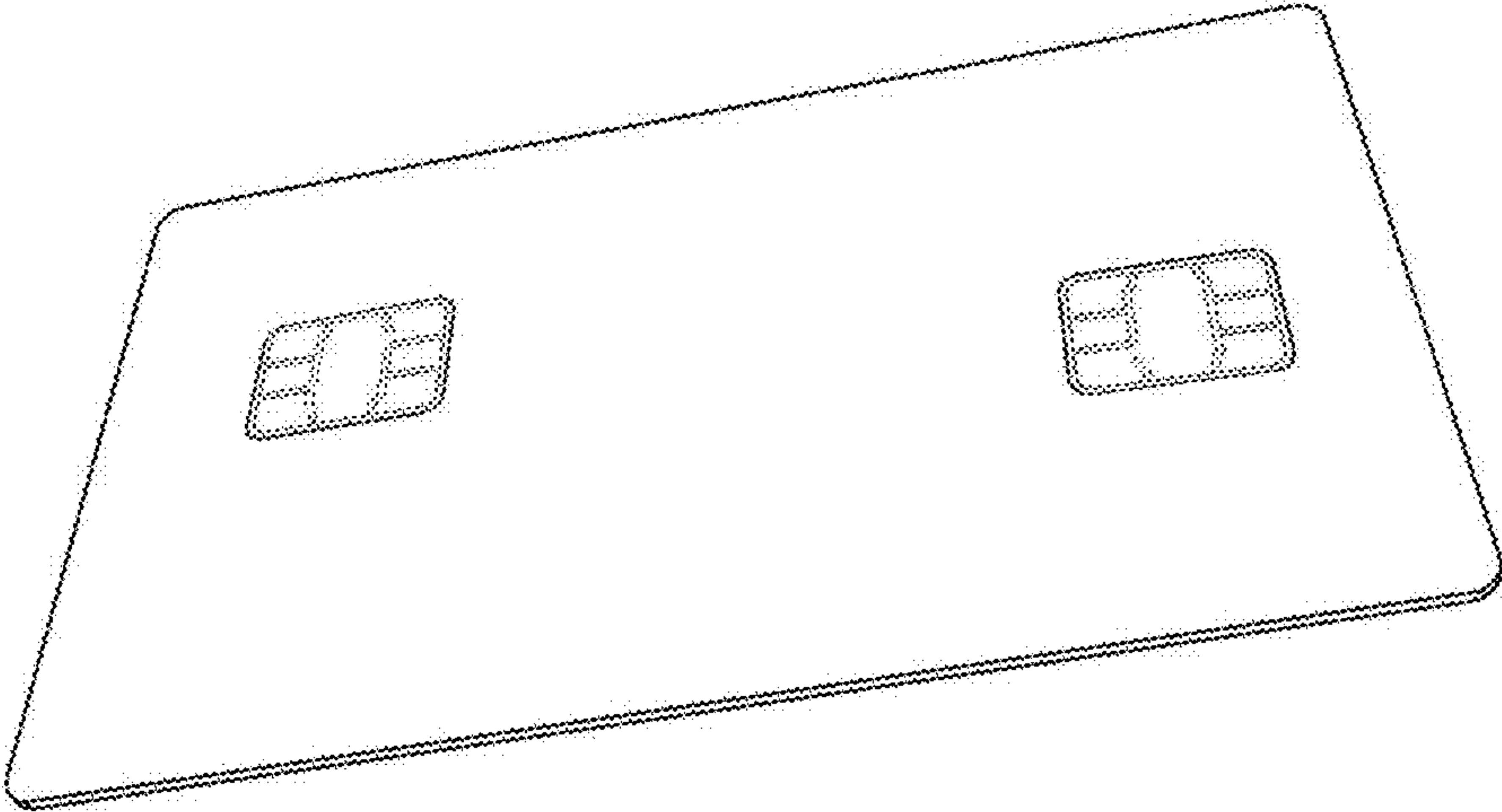


FIG. 1



FIG. 3

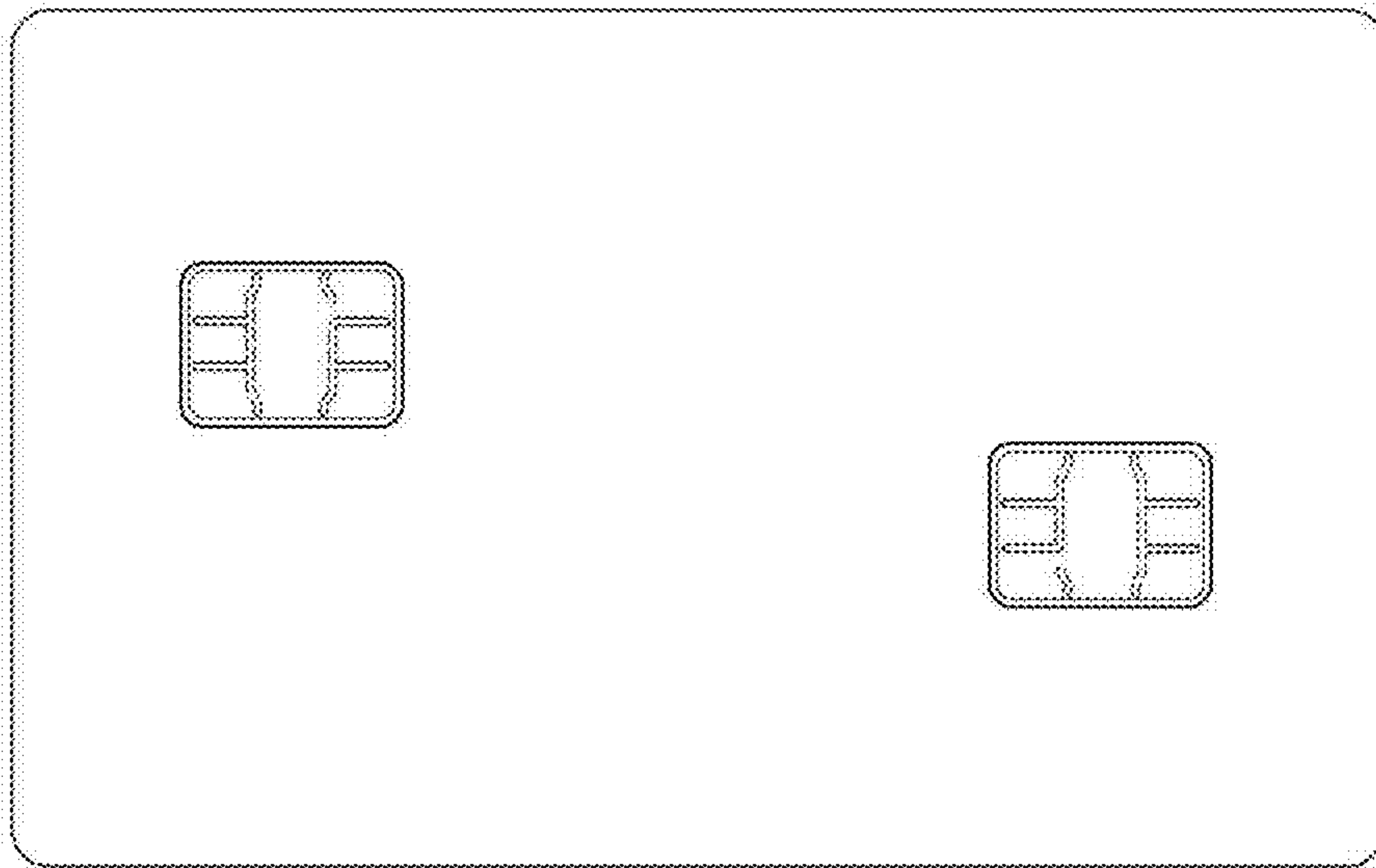


FIG. 4

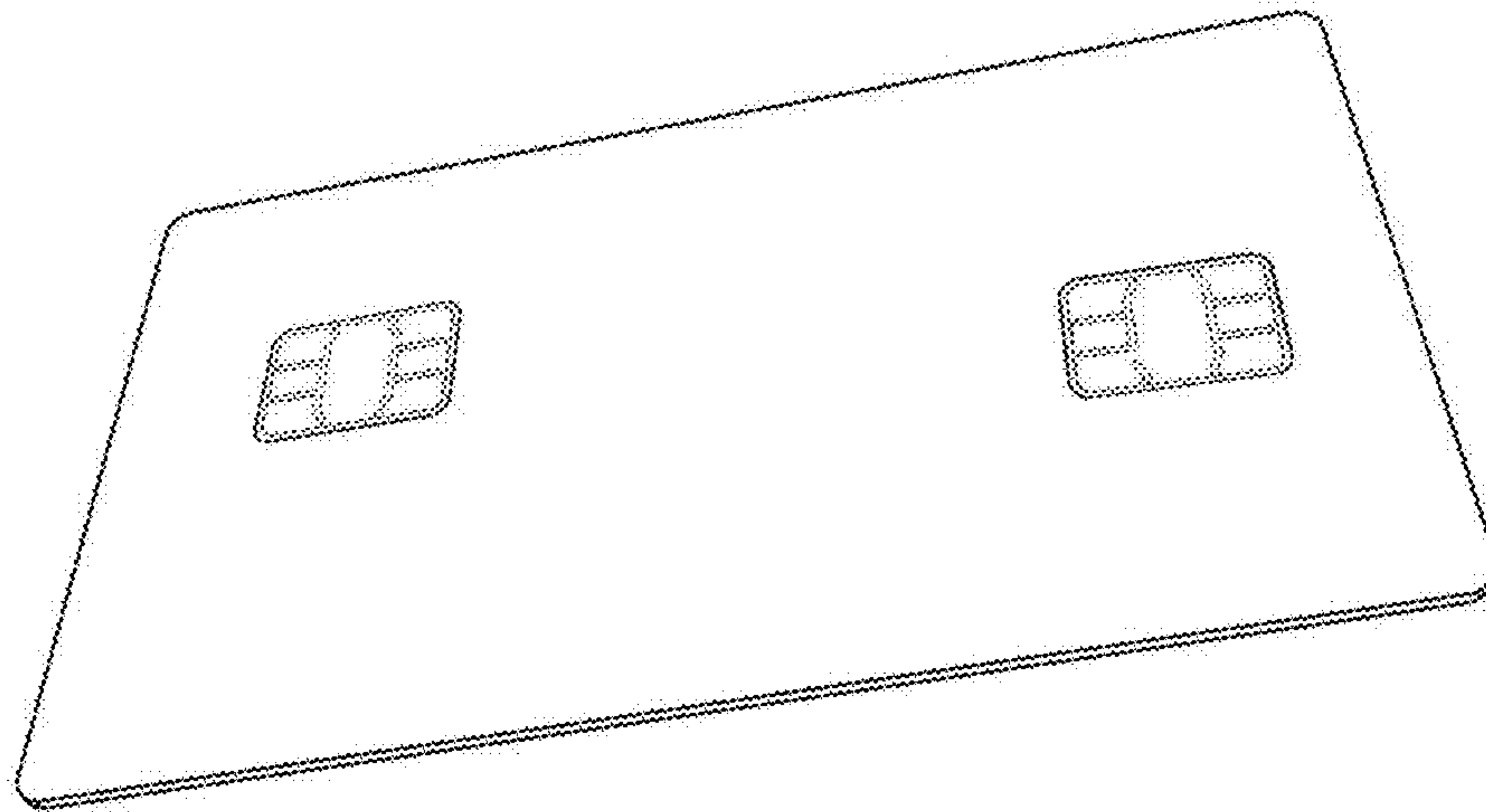


FIG. 5

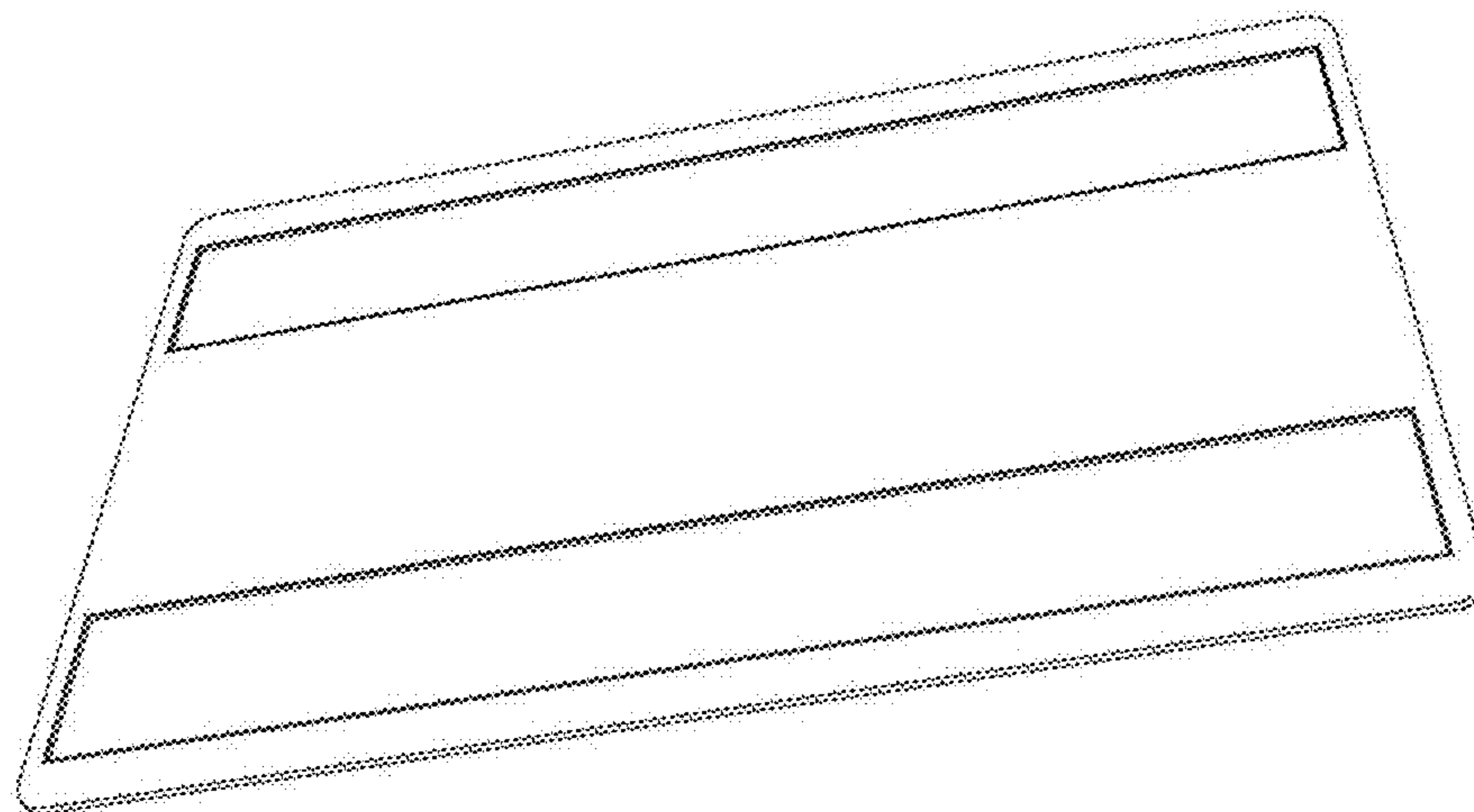


FIG. 6

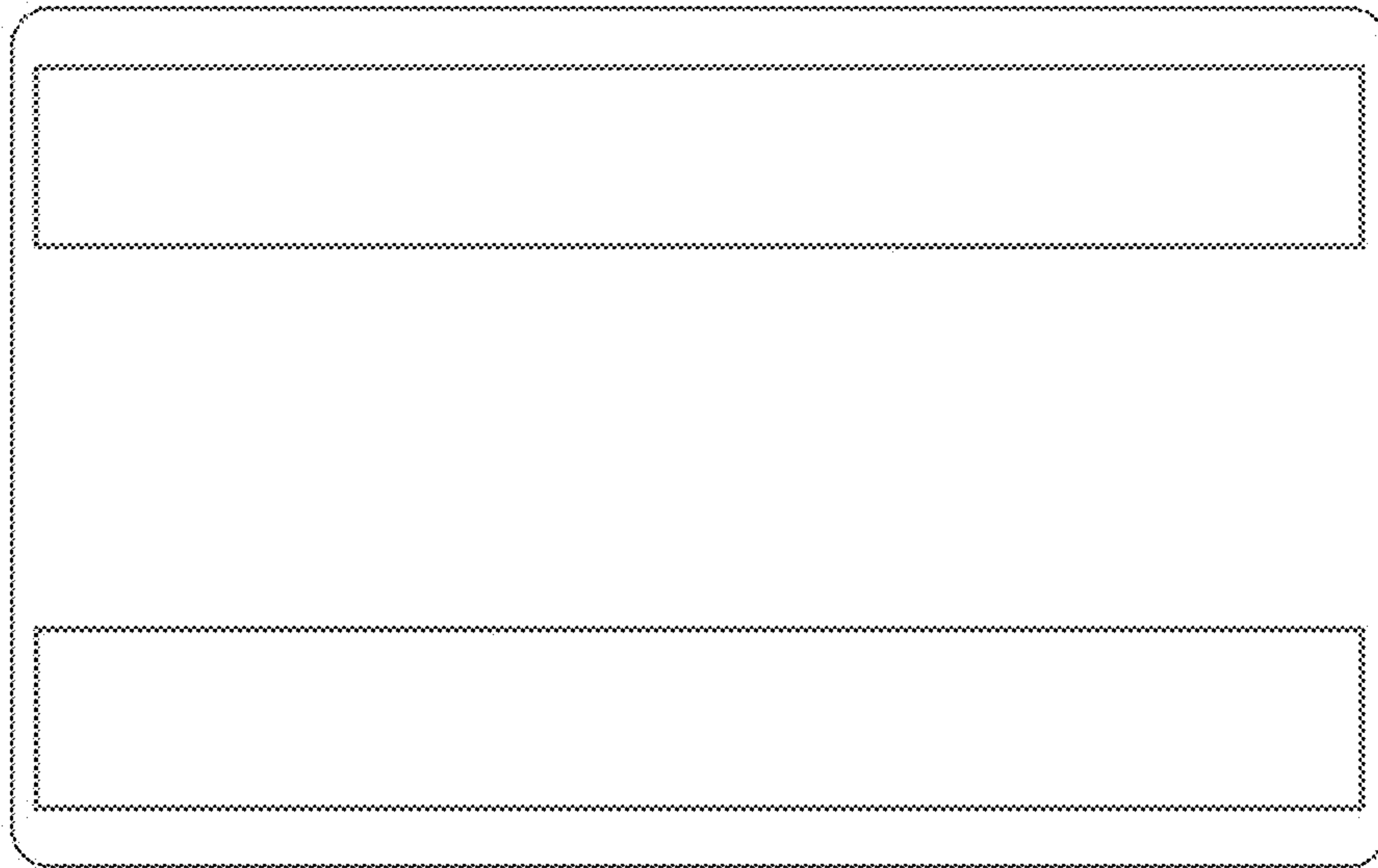


FIG. 7

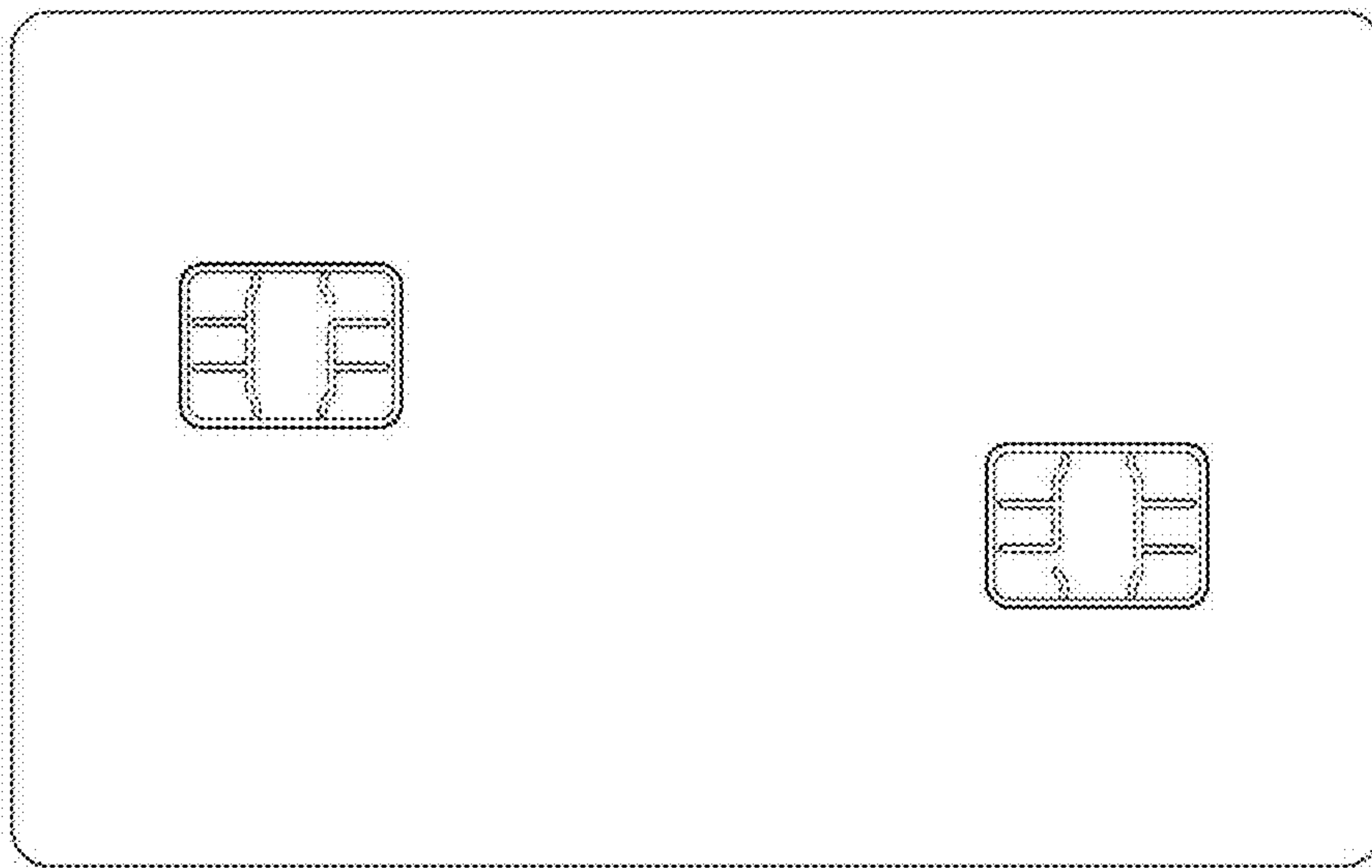


FIG. 8

FIG. 9



FIG. 10

