



US00D956758S

(12) **United States Design Patent**
Wolff et al.

(10) **Patent No.:** **US D956,758 S**
(45) **Date of Patent:** **** Jul. 5, 2022**

(54) **3-D DESIGN ELEMENT FOR HARDWARE**

(71) Applicant: **Hewlett Packard Enterprise Development LP**, Houston, TX (US)

(72) Inventors: **Stacy L. Wolff**, Cypress, TX (US);
Keith J. Kuehn, Magnolia, TX (US);
Brooks Vaughan, Tomball, TX (US);
Stephen Spencer, Houston, TX (US);
Bjoern Frank, Munich (DE); **Nick Ross**, Munich (DE)

(73) Assignee: **Hewlett Packard Enterprise Development LP**, Houston, TX (US)

(**) Term: **15 Years**

(21) Appl. No.: **29/673,682**

(22) Filed: **Dec. 17, 2018**

Related U.S. Application Data

(63) Continuation of application No. 29/554,460, filed on Feb. 11, 2016, now abandoned, and a continuation of application No. 29/542,370, filed on Oct. 13, 2015, now Pat. No. Des. 825,569.

(51) **LOC (13) Cl.** **14-02**

(52) **U.S. Cl.**
USPC **D14/432**

(58) **Field of Classification Search**
USPC D14/300-302, 308-313, 314, 348,
D14/353-355, 432, 439-446, 214;
361/679.02, 679.31, 679.5, 690, 694,
361/679.23, 801, 802; 312/332.1, 334.1;
D13/162; D8/356, 353, 350, 343;
D6/702, 308, 301, 300; D19/37, 26, 113;
446/106; 40/721, 799; 174/66
CPC B65H 1/00; B65H 1/266; B65H 2402/441;
B65H 2405/311; B65H 2405/313
See application file for complete search history.

(56) **References Cited**

U.S. PATENT DOCUMENTS

782,229 A 2/1905 Field
3,851,194 A 11/1974 Kawada
D243,378 S 2/1977 Tharp
D255,522 S 6/1980 Quigley, Jr. et al.
(Continued)

FOREIGN PATENT DOCUMENTS

EM 001165211-0018 9/2009

OTHER PUBLICATIONS

U.S. Trademark Application Serial filed on Feb. 12, 2015; Applicant: Hewlett Packard Enterprise Development LP Enterprise DC Holdings LLC., U.S. Appl. No. 86/533,633.

(Continued)

Primary Examiner — Austin Murphy

(74) *Attorney, Agent, or Firm* — Fross Zelnick Lehrman & Zissu, P.C.; Charles T. J. Weigell, Esq.

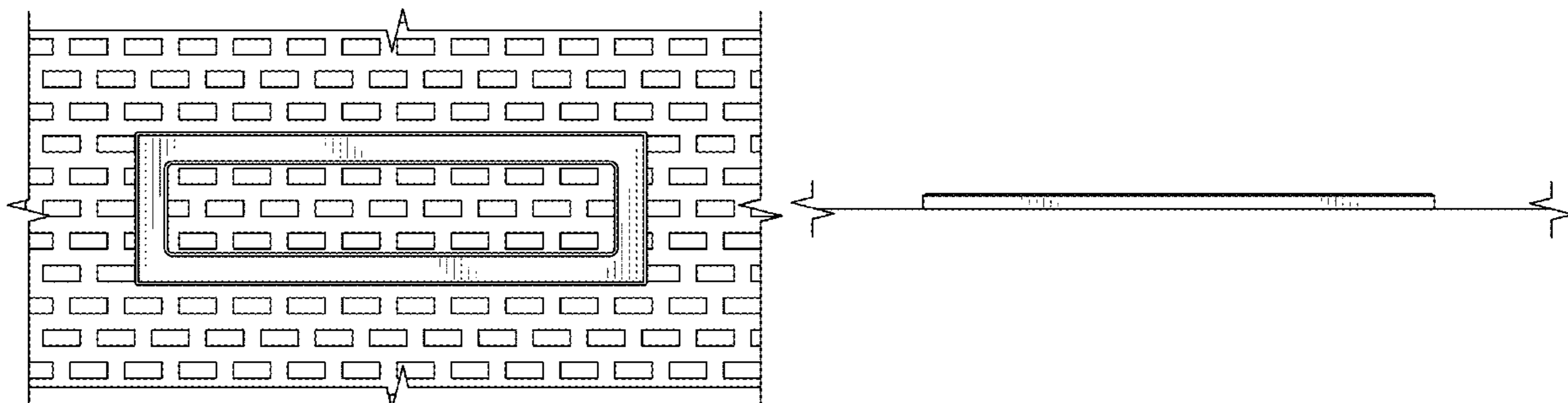
(57) **CLAIM**

The ornamental design for a 3-D design element for hardware, as shown and described.

DESCRIPTION

FIG. 1 is a front view of the 3-D design element for hardware applied to a portion of computer hardware; FIG. 2 is a bottom side view of the 3-D design element for hardware applied to a portion of computer hardware, with the opposite top side being a mirror image thereof; FIG. 3 is a right side view of the 3-D design element for hardware applied to a portion of computer hardware, with the left side being of identical appearance; and, FIG. 4 is a perspective view of the 3-D design element for hardware applied to a portion of computer hardware.

(Continued)



The broken lines depicting the rear back side view of the 3-D design element for hardware in FIG. 5 show unclaimed matter for the design.

1 Claim, 2 Drawing Sheets

(56)

References Cited

U.S. PATENT DOCUMENTS

D282,024 S	1/1986	Muranen	
D283,382 S	4/1986	Goldsmith	
D311,219 S	10/1990	Bergh	
5,041,698 A	8/1991	Takagi et al.	
D327,212 S	6/1992	Hubben et al.	
5,153,816 A	10/1992	Griffin	
5,400,532 A	3/1995	Grove	
D362,433 S	9/1995	Chen	
5,472,800 A	12/1995	Goto et al.	
D366,764 S	2/1996	Hunt	
5,911,521 A	6/1999	Steinmetz et al.	
D411,797 S	7/1999	Schultz	
6,116,981 A	9/2000	Zheng	
D448,489 S	9/2001	Jackson et al.	
D493,695 S	8/2004	Wengrower	
D529,960 S	10/2006	Cox	
D541,137 S	4/2007	Fabrizi	
D554,399 S	11/2007	Kim	
D559,649 S	1/2008	Ahn	
D560,605 S	1/2008	McClintock et al.	
D567,858 S	4/2008	Donat	
D572,911 S *	7/2008	Donat	D6/300
D573,382 S	7/2008	Brinkerhoff	
D579,296 S	10/2008	Popov	
D579,762 S	11/2008	Sempliner et al.	
D594,236 S	6/2009	Sidiropoulos	
D601,814 S	10/2009	Lissola	
D609,782 S	2/2010	Whatley	
D613,510 S	4/2010	Tzeng et al.	
D625,928 S	10/2010	Lee et al.	
D633,308 S	3/2011	Burwell	
D634,131 S	3/2011	Utsunomiya	
D637,822 S	5/2011	Utsunomiya	
D639,568 S	6/2011	Lee et al.	
D641,294 S	7/2011	Edick	
D644,914 S	9/2011	Hoffman et al.	
D646,539 S	10/2011	Maras	
D651,062 S	12/2011	Wackwitz	
D654,703 S	2/2012	Lemay	
8,231,099 B2	7/2012	Chen	
D665,242 S	8/2012	Wackwitz	
D708,497 S	7/2014	Hoglund	
D711,834 S *	8/2014	Jones	D13/152
D729,612 S	5/2015	De et al.	
D732,917 S	6/2015	Valentini	

D738,177 S	9/2015	Finnas	
D738,178 S	9/2015	Eisinger	
D743,938 S	11/2015	Kim et al.	
D744,434 S *	12/2015	Gassner	D13/168
D744,799 S	12/2015	Rodenhouse et al.	
D744,800 S	12/2015	Cooksey et al.	
D747,165 S	1/2016	Vanderwoude	
D759,218 S *	6/2016	Young	D23/269
D761,208 S *	7/2016	Wolff	D13/152
D764,265 S *	8/2016	Monsees	D8/380
D767,288 S *	9/2016	McMahon	D6/300
D789,759 S	6/2017	Fellmann et al.	
D791,119 S *	7/2017	Quilling	D14/258
D825,569 S *	8/2018	Wolff	D14/439
D840,403 S *	2/2019	Wolff	D14/432
10,352,527 B2 *	7/2019	Uozu	F21V 3/049
D861,461 S *	10/2019	Gao	D8/353
D867,365 S *	11/2019	Corigliano	D14/401
D885,166 S *	5/2020	Kirbawy	D8/350
D887,368 S *	6/2020	Prange	D8/353
D894,174 S *	8/2020	Fiore, IV	D14/258
D911,443 S *	2/2021	White	D20/10
D913,176 S *	3/2021	Ghieh	D12/193
2007/0124978 A1 *	6/2007	Donat	G09F 1/12 40/798
2009/0165351 A1 *	7/2009	Hsu	G09F 9/35 40/799
2010/0081505 A1 *	4/2010	Alten	A63F 13/02 463/47
2011/0026749 A1 *	2/2011	Yaun	H04R 1/028 381/333
2012/0287564 A1 *	11/2012	Lochet	H02G 3/14 361/679.01
2014/0184978 A1 *	7/2014	Yu	H05K 5/02 349/58

OTHER PUBLICATIONS

U.S. Trademark Application Serial filed on Apr. 14, 2015; Applicant: Hewlett Packard Enterprise Development LP Enterprise DC Holdings LLC., U.S. Appl. No. 86/596,916.
 Jacqueline Bracha Israel Registrar of Patents Sunday May 7, 2017 Decision for Application for Design Application No. 57516.
 Hewlett Packard Enterprise Development LP, Accelerating Next video, HPE roadshow, Sydney, Australia, Aug. 20, 2015—Submitted Via CD-ROM along with Remarks.
 Final Decision of the Patent Office in Thailand rejecting Application No. 1602001287 based on WIPO No. 001165211-0018, dated Aug. 3, 2021, 6 pages.
 Final Decision of the Patent Office in Thailand rejecting Application No. 1602001288 based on WIPO No. 001165211-0018, dated Aug. 3, 2021, 6 pages.
 Final Decision of the Patent Office in Thailand rejecting Application No. 1602001289 based on WIPO No. 001165211-0018, dated Aug. 3, 2021, 6 pages.

* cited by examiner

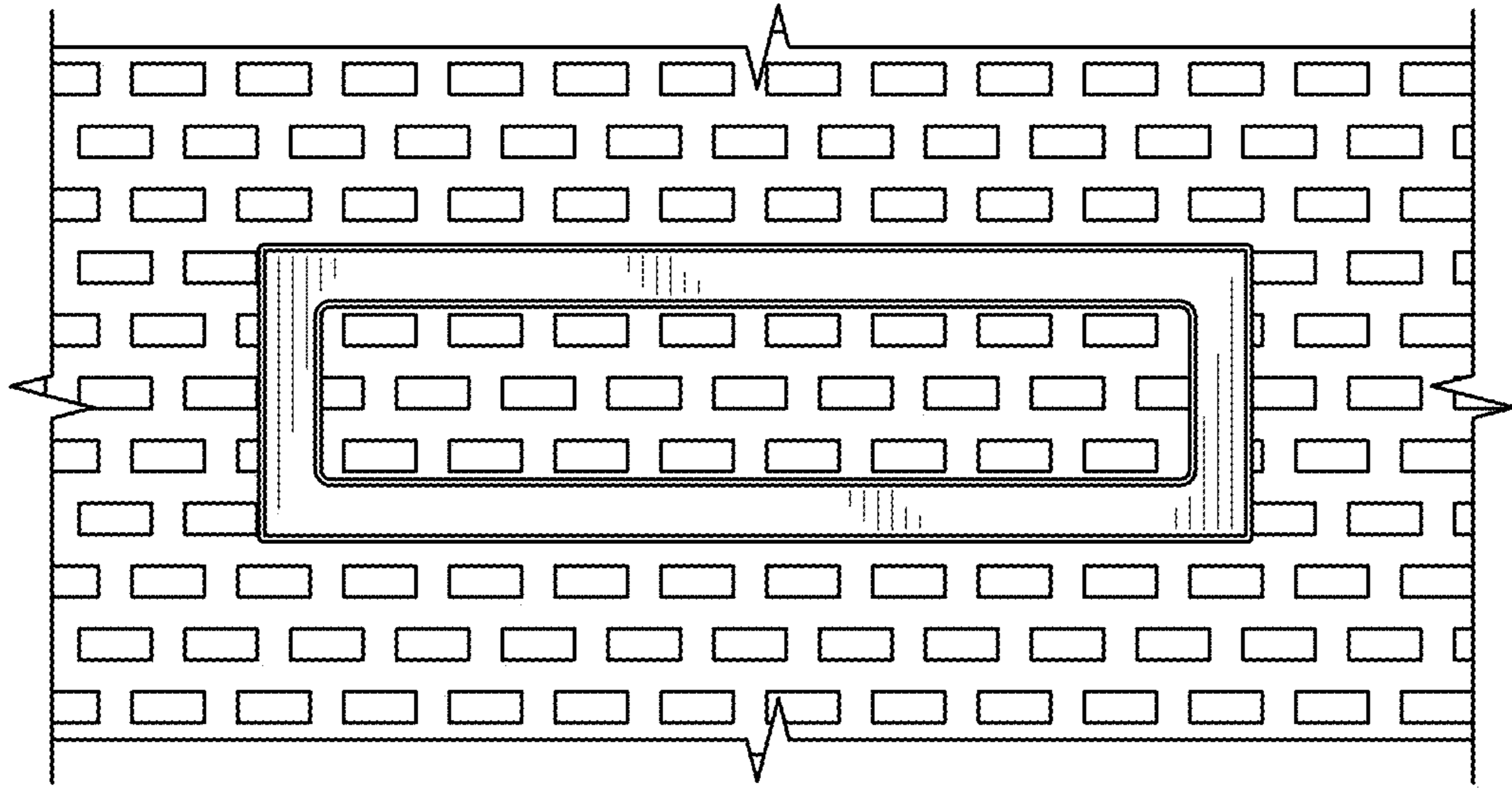


FIG. 1

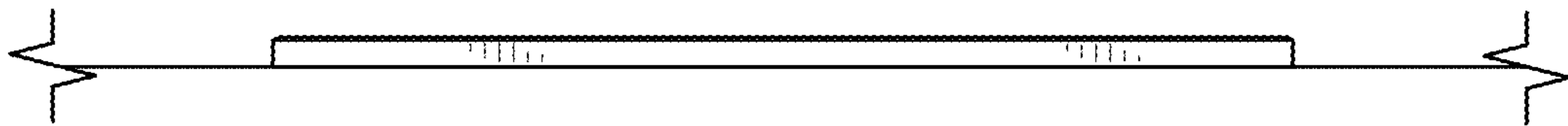


FIG. 2

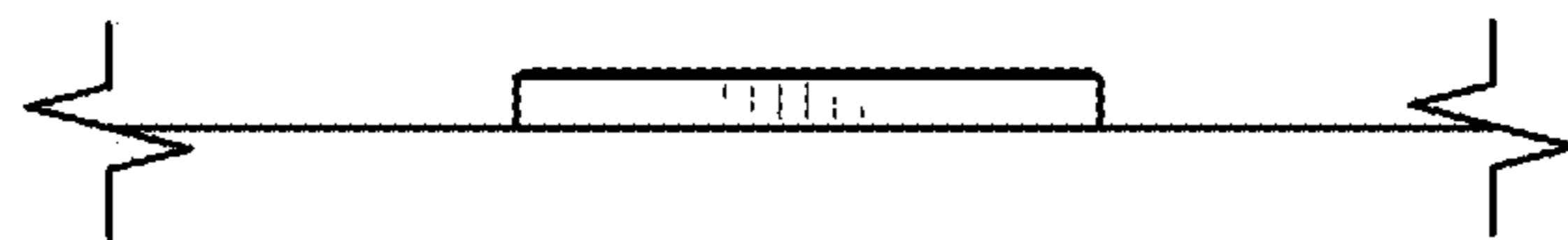


FIG. 3

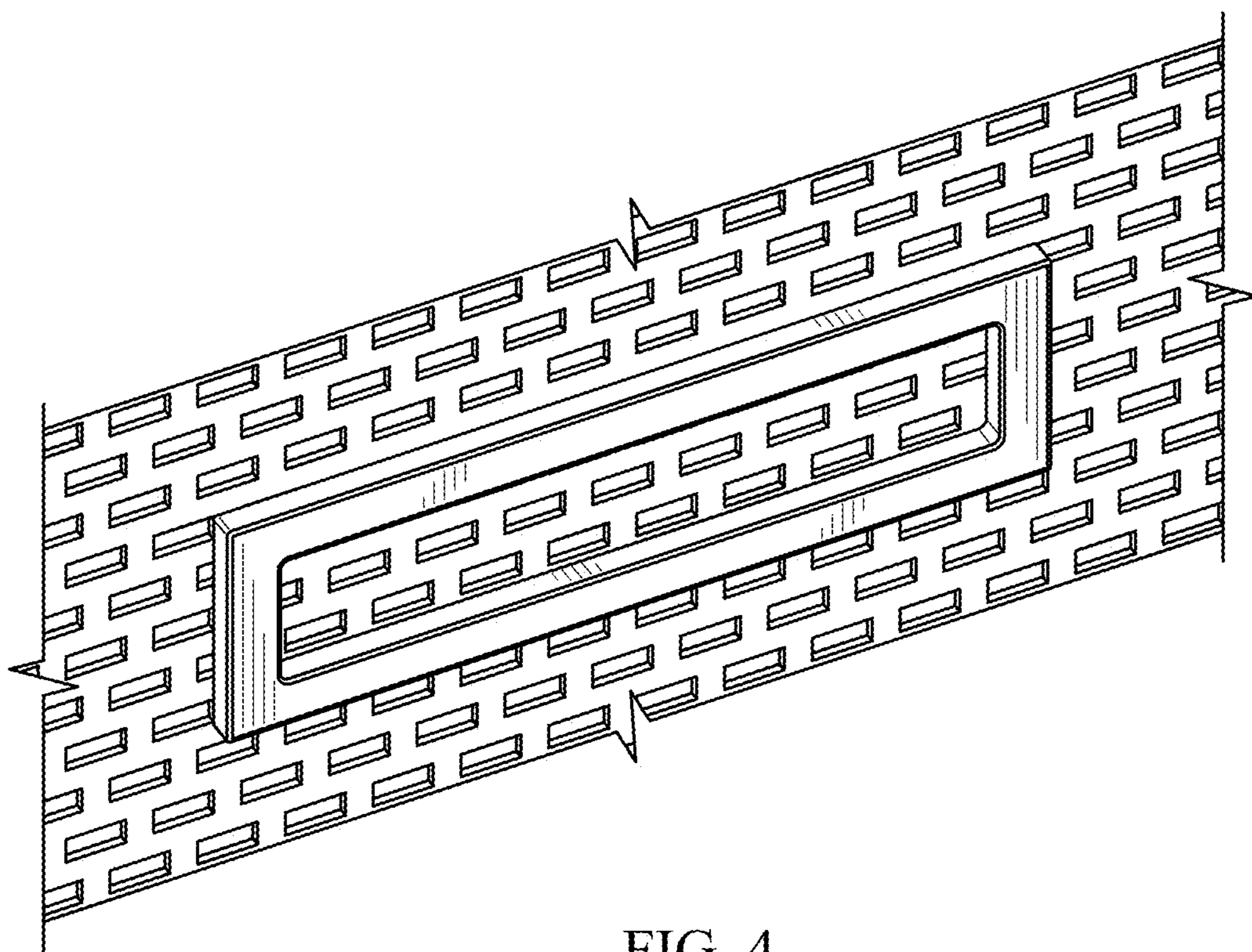


FIG. 4